



US00D483795S

(12) **United States Design Patent**
Morgan et al.

(10) **Patent No.:** **US D483,795 S**

(45) **Date of Patent:** **** Dec. 16, 2003**

(54) **DRUM MOUNT CLIP**

(75) Inventors: **Pat Morgan**, Waukegan, IL (US);
William C. Cesaroni, Glenview, IL (US)

(73) Assignee: **Shure Incorporated**, Evanston, IL (US)

(**) Term: **14 Years**

(21) Appl. No.: **29/153,795**

(22) Filed: **Jan. 11, 2002**

(51) **LOC (7) Cl.** **17-99**

(52) **U.S. Cl.** **D17/99**

(58) **Field of Search** D17/22, 99; 84/811 R,
84/412, 420, 421, 411 R, 453; D8/394,
396, 398; D14/225; 248/316.2, 316.5

(56) **References Cited**

U.S. PATENT DOCUMENTS

D244,551 S * 5/1977 Weiss D14/225

D310,083 S * 8/1990 Lazzeroni et al. D14/229

5,684,258 A * 11/1997 Liao 84/421

5,877,440 A * 3/1999 Chaffee et al. 84/411 M

* cited by examiner

Primary Examiner—Ruth McInroy

(74) *Attorney, Agent, or Firm*—Banner & Witcoff, Ltd.

(57) **CLAIM**

The ornamental design for a drum mount clip, as shown and described.

DESCRIPTION

FIG. 1 is a perspective view of the drum mount clip;

FIG. 2 is a right side view thereof;

FIG. 3 is a bottom view thereof;

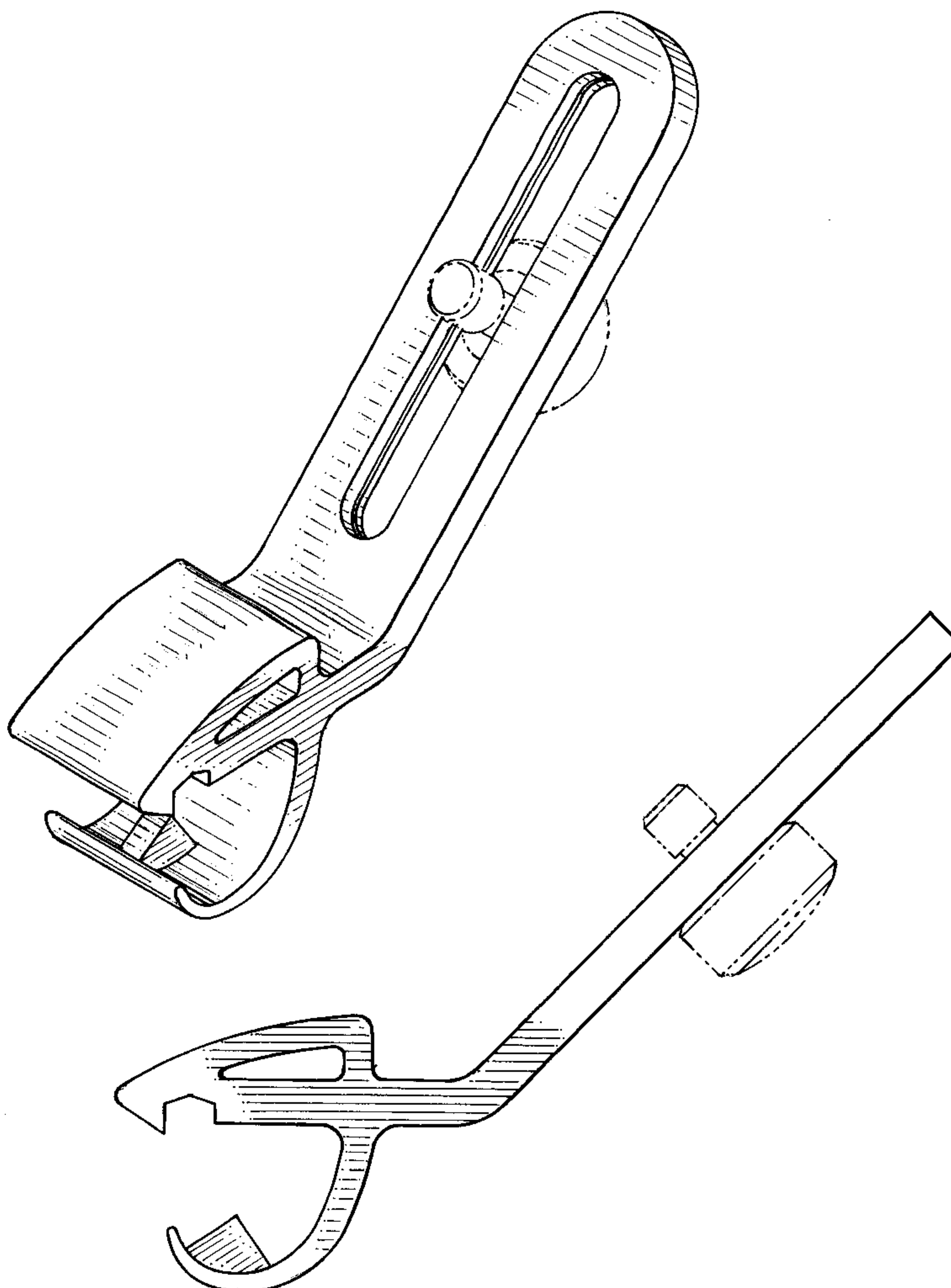
FIG. 4 is a front view thereof;

FIG. 5 is a rear view thereof; and,

FIG. 6 is a top view thereof.

The details shown in broken lines are for illustrative purposes only and form no part of the claimed design.

1 Claim, 2 Drawing Sheets



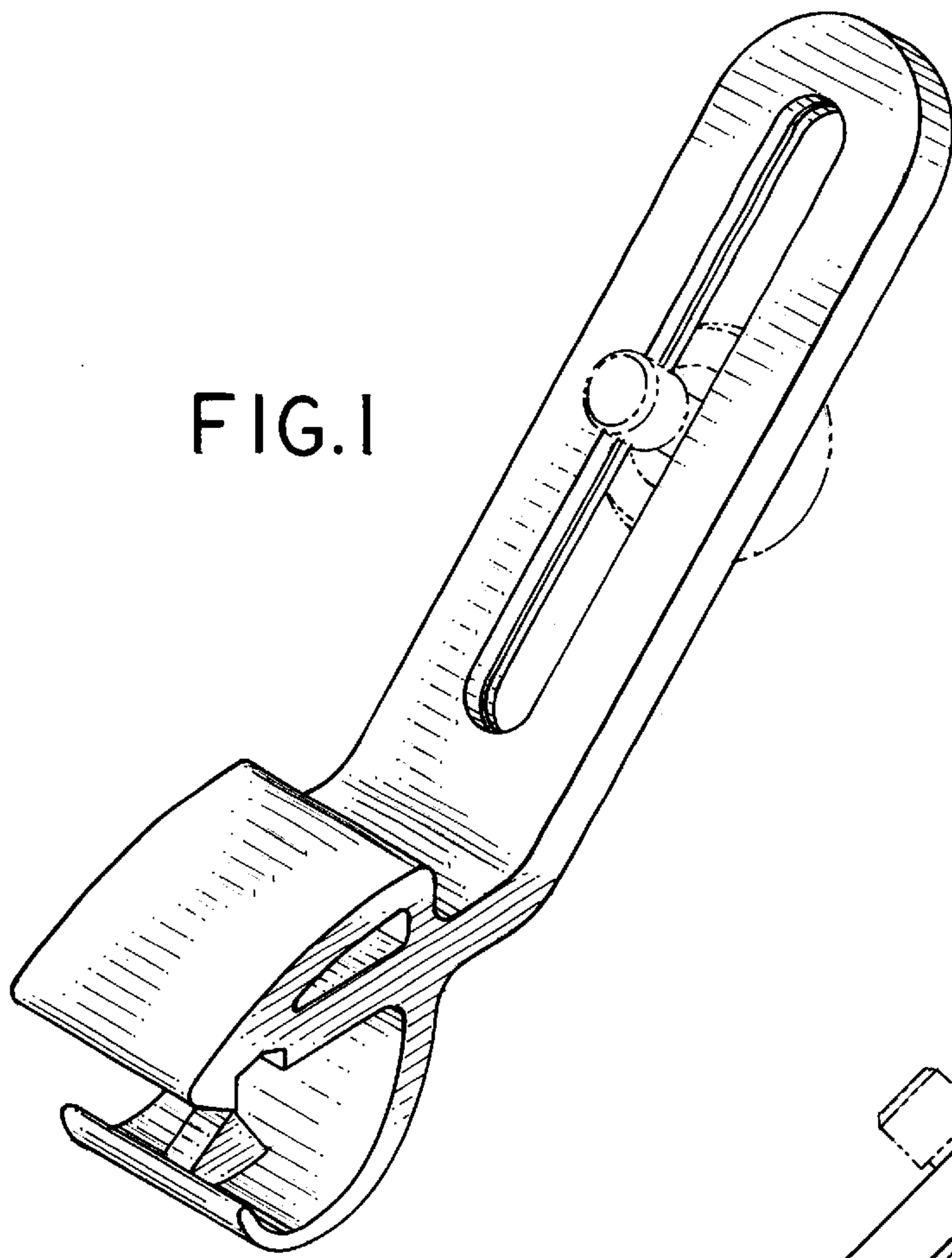


FIG. 1

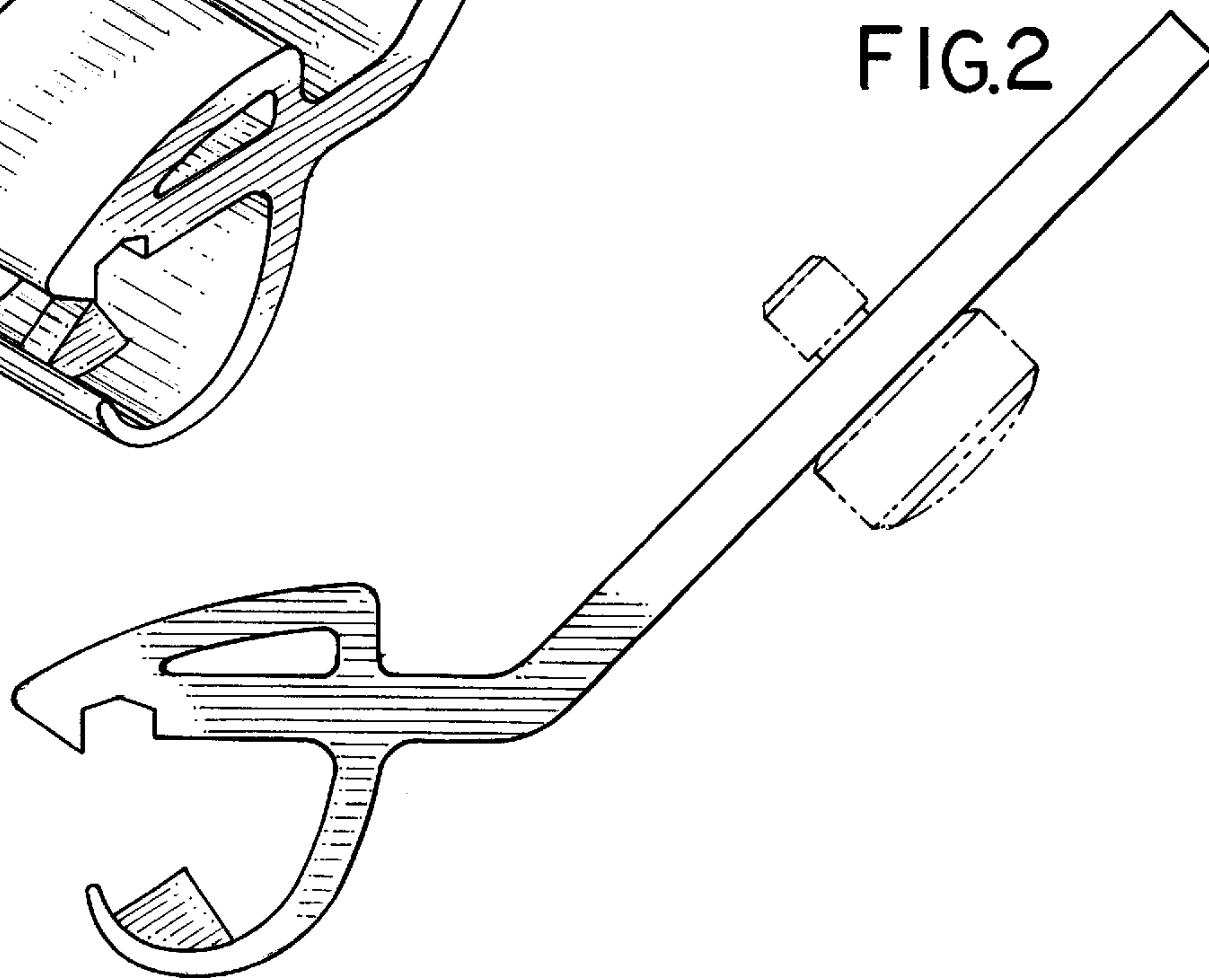


FIG. 2

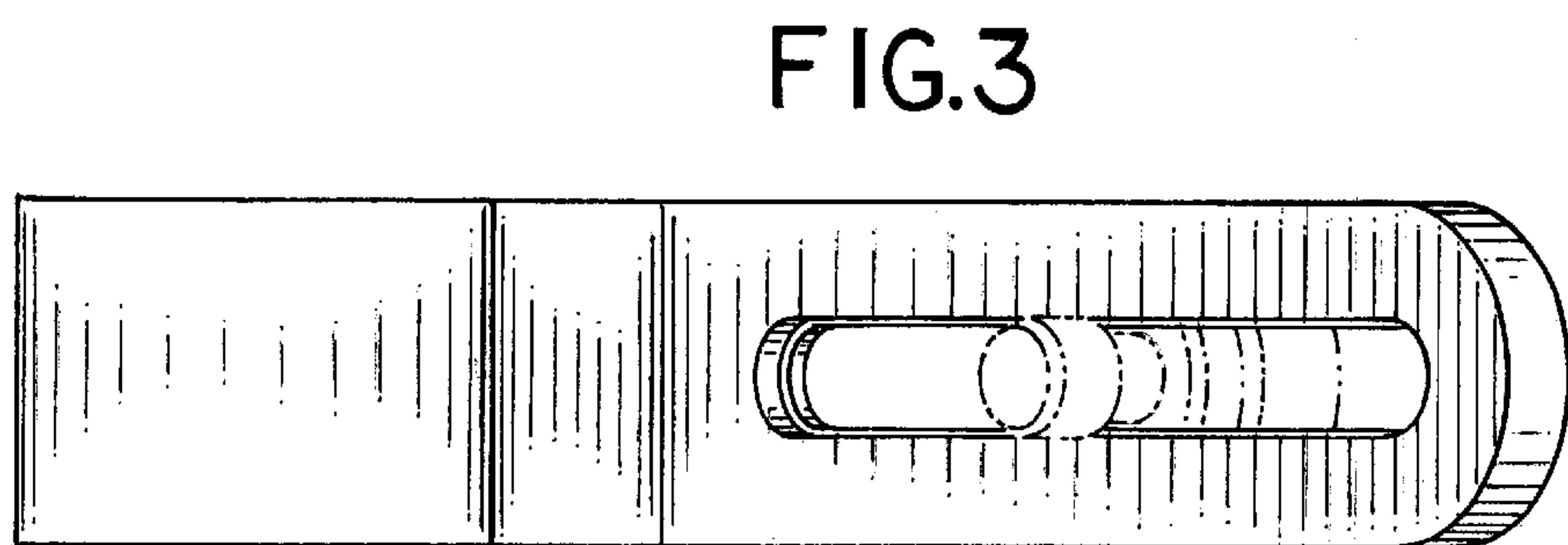


FIG. 3

FIG.4

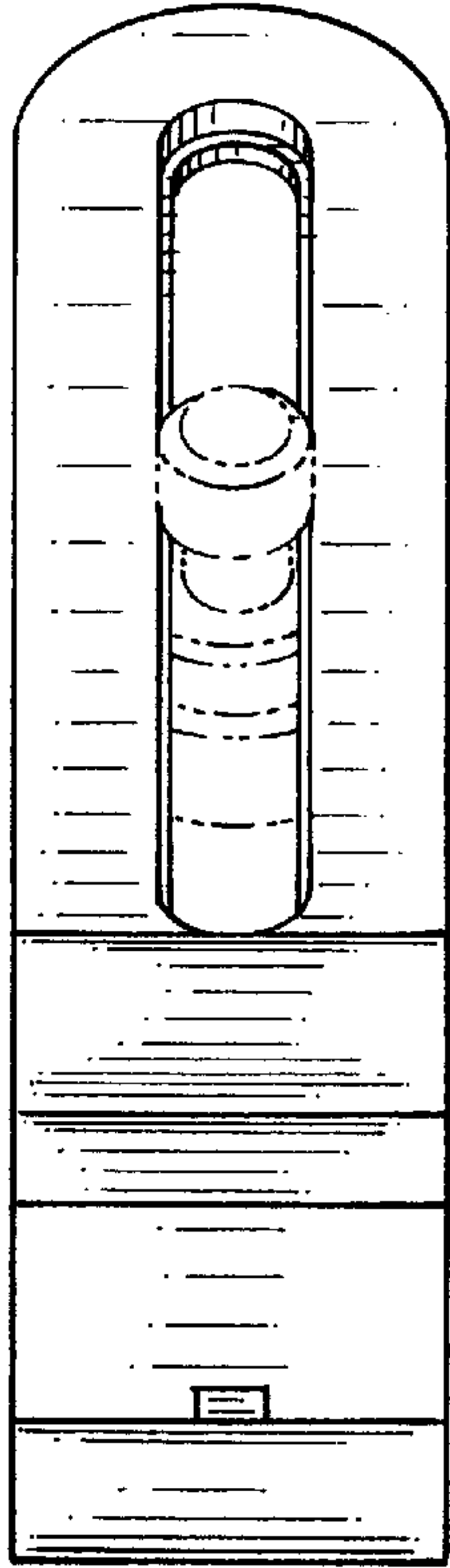


FIG.5

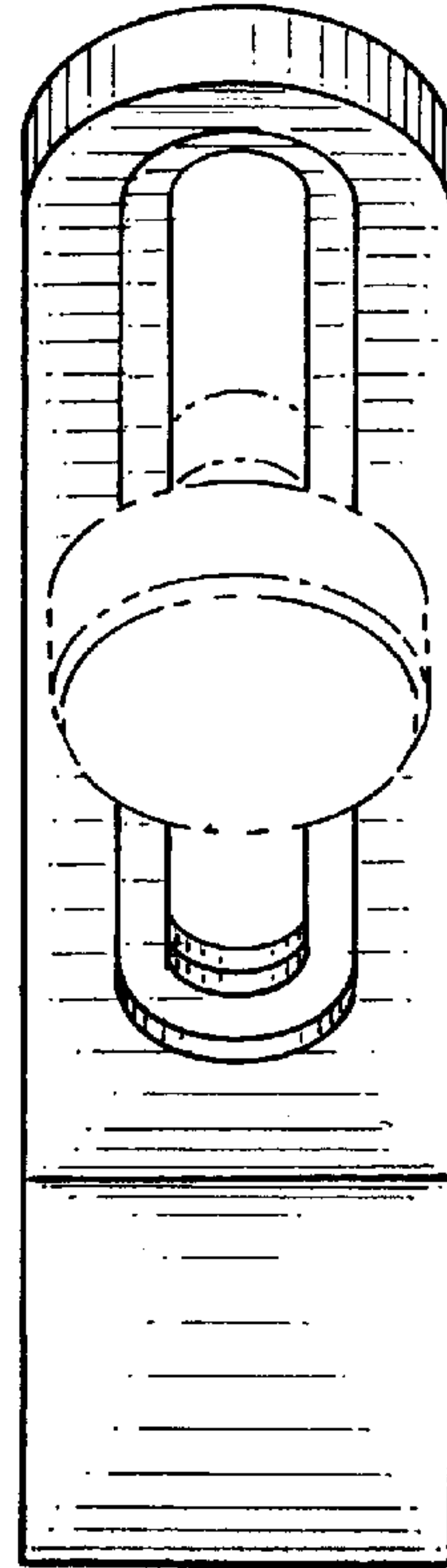


FIG.6

