



US00D483789S

(12) **United States Design Patent**  
**Dordick**

(10) **Patent No.:** **US D483,789 S**

(45) **Date of Patent:** **\*\* Dec. 16, 2003**

(54) **CAMERA MOUNT CLAMP**

(76) Inventor: **Scott D. Dordick**, 102 E. Duell,  
Glendora, CA (US) 91740

(\*\*) Term: **14 Years**

(21) Appl. No.: **29/166,850**

(22) Filed: **Sep. 5, 2002**

(51) **LOC (7) Cl.** ..... **16-05**

(52) **U.S. Cl.** ..... **D16/245; D16/242**

(58) **Field of Search** ..... D16/237, 242,  
D16/244, 245; 248/176.1, 176.3, 177.1,  
185.1, 187.1; 352/243; 396/419, 428

(56) **References Cited**

**U.S. PATENT DOCUMENTS**

D246,528 S	*	11/1977	Miller	.....	D16/245
D292,982 S	*	12/1987	Nakatani	.....	D16/245
4,959,671 A	*	9/1990	Ishikawa	.....	396/428
D323,339 S	*	1/1992	Ishikawa	.....	D16/245
D353,825 S	*	12/1994	Forbes	.....	D16/242
D366,887 S	*	2/1996	Wood	.....	D16/242
D449,848 S	*	10/2001	Lewis, Jr. et al.	.....	D16/242

\* cited by examiner

*Primary Examiner*—Adir Aronovich

(74) *Attorney, Agent, or Firm*—Edward O. Ansell

(57) **CLAIM**

The ornamental design for a camera mount clamp, as shown and described.

**DESCRIPTION**

FIG. 1 is a perspective view of a camera mount clamp showing my new design;

FIG. 2 is a top plan view thereof;

FIG. 3 is a bottom plan view thereof;

FIG. 4 is a front elevation view thereof;

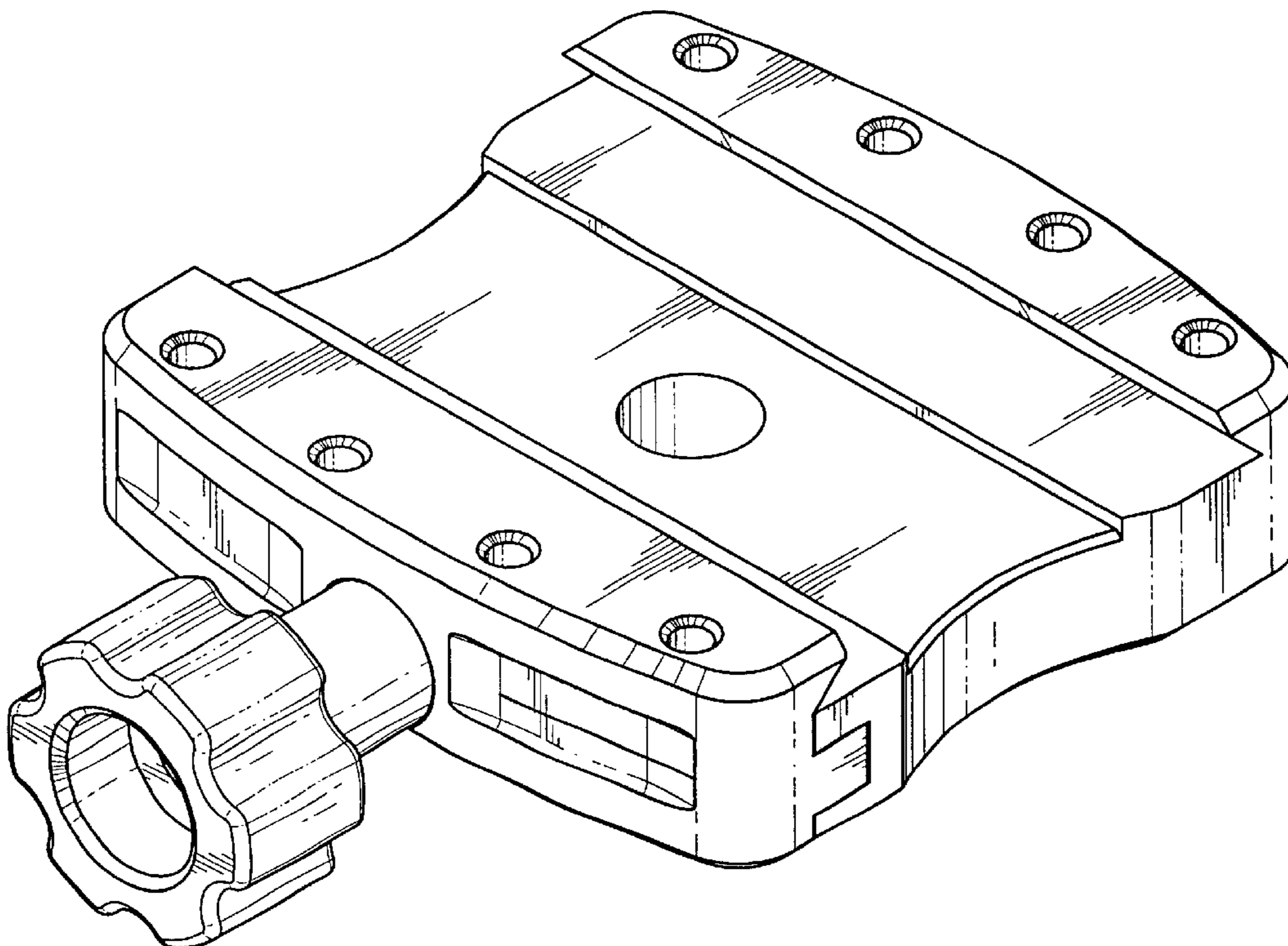
FIG. 5 is a rear elevation view thereof;

FIG. 6 is a right elevation view thereof;

FIG. 7 is a left elevation view thereof; and,

FIG. 8 is a perspective view of the clamp in the environment in which the design is used, the broken line disclosure of the camera mount shown for illustrative purposes only and forms no part of the claimed design.

**1 Claim, 4 Drawing Sheets**



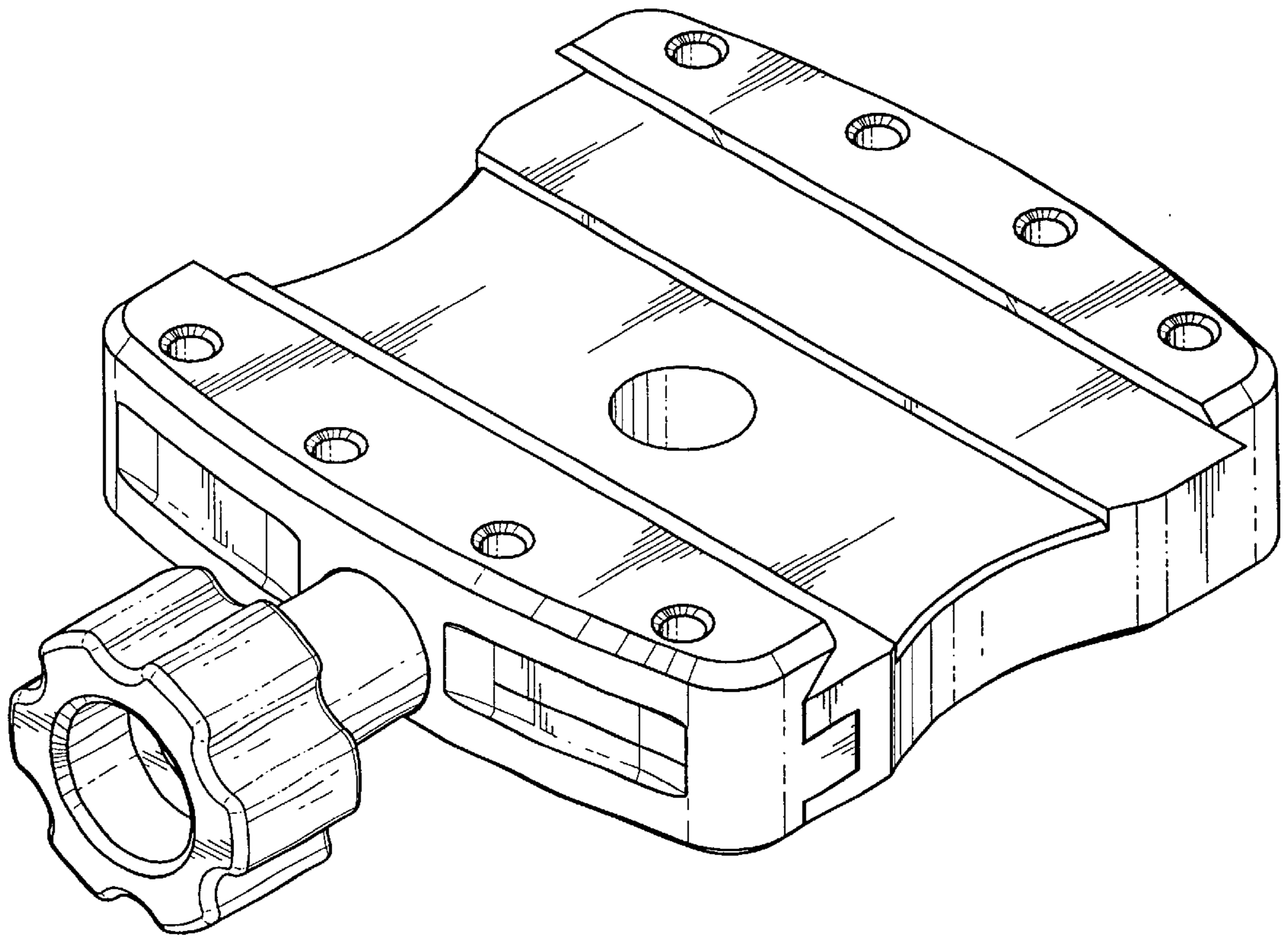


FIG. 1

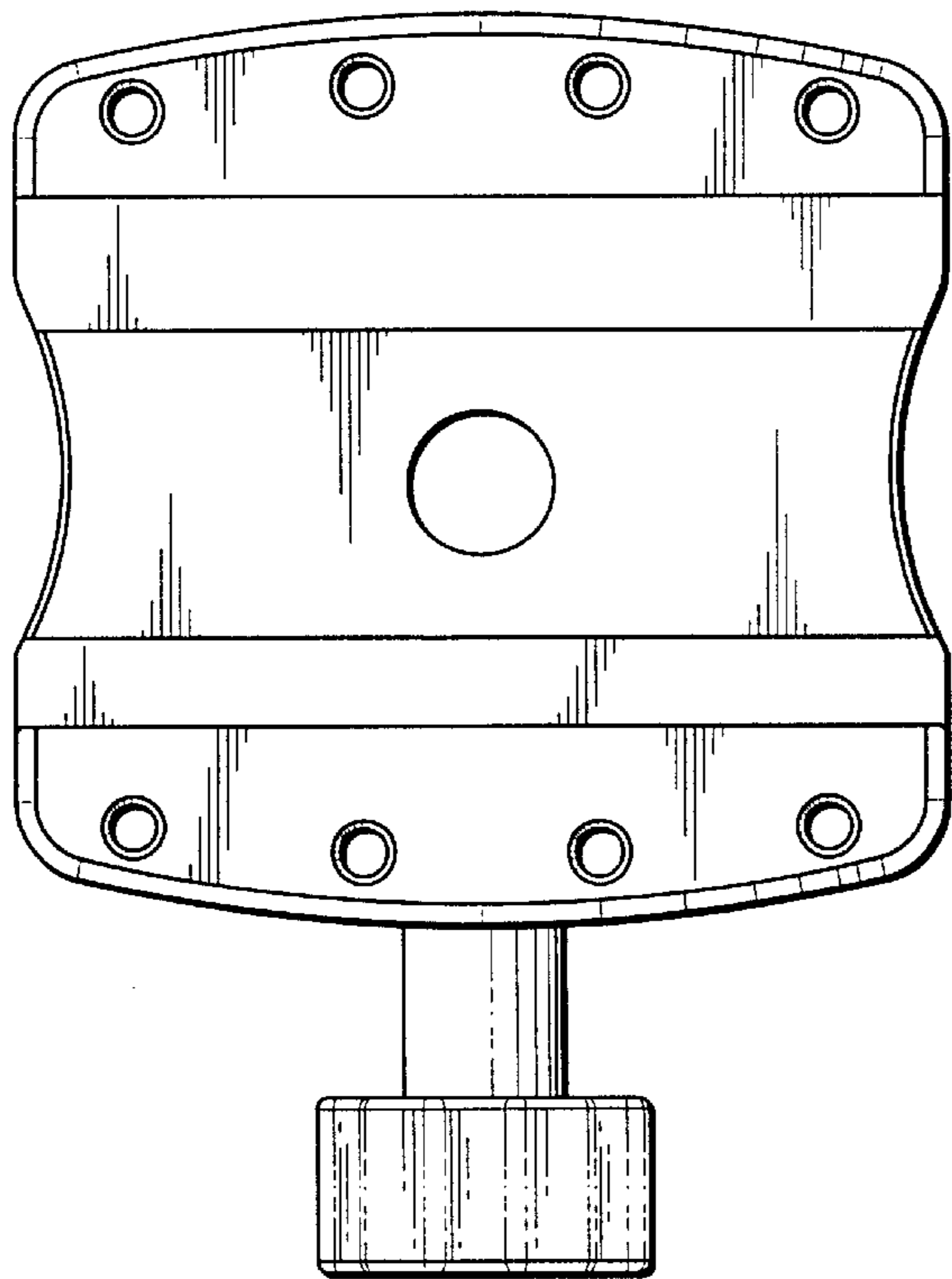


FIG. 2

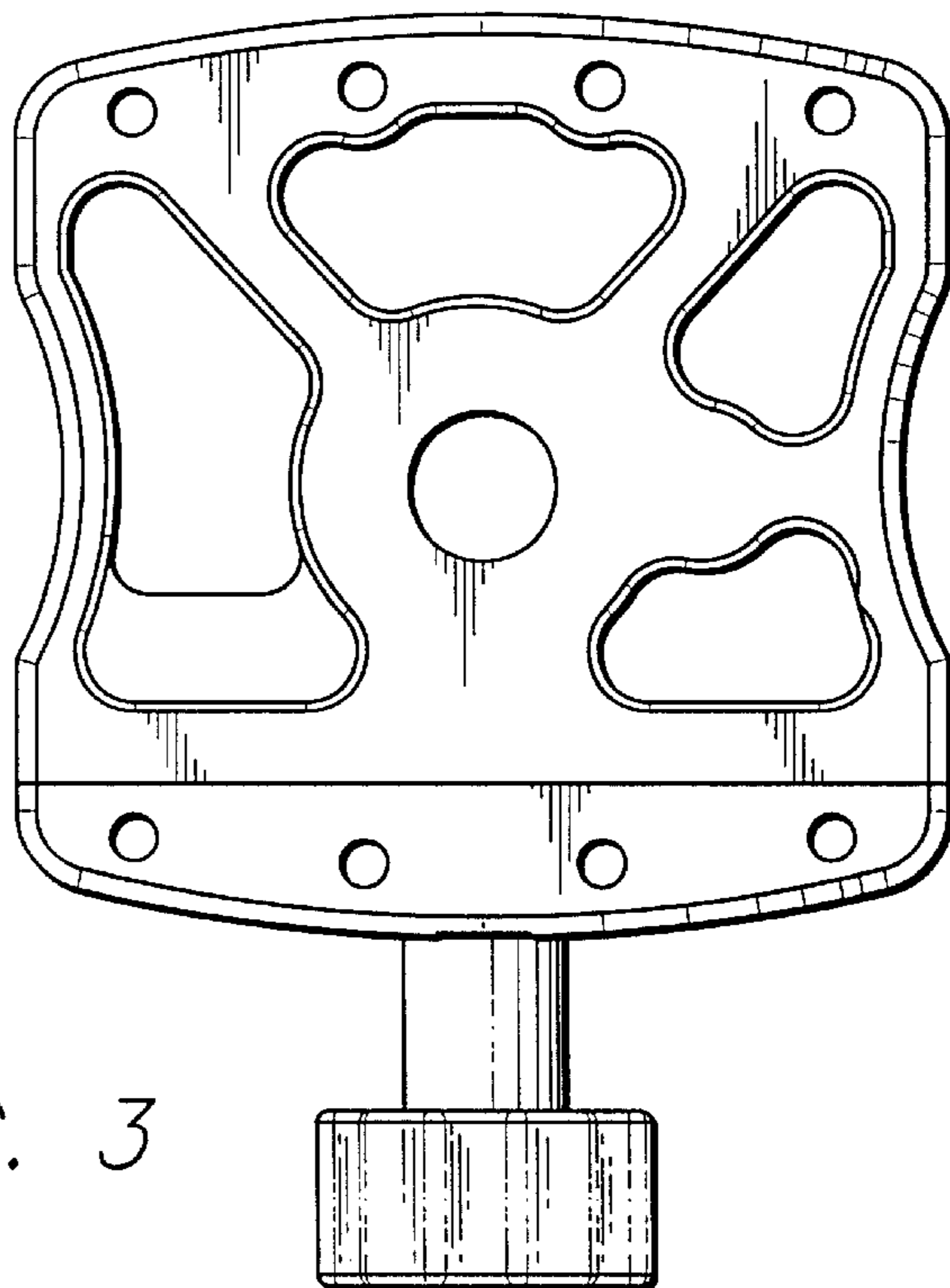


FIG. 3

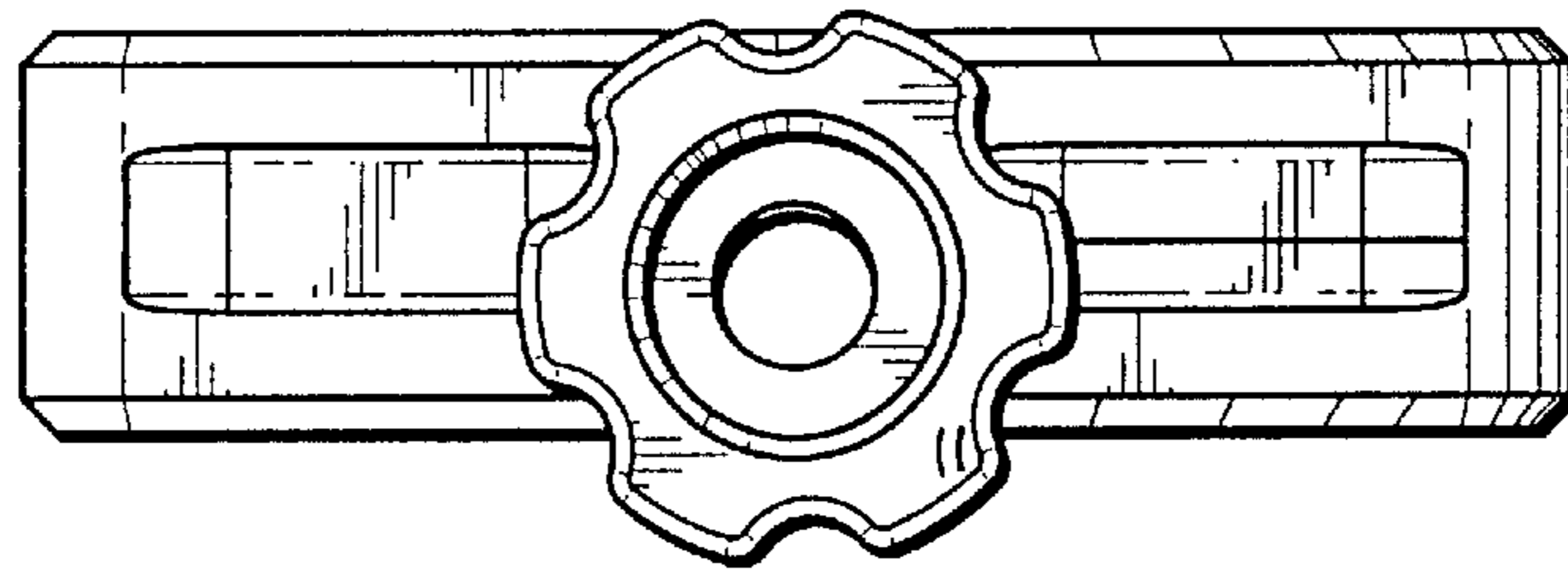


FIG. 4

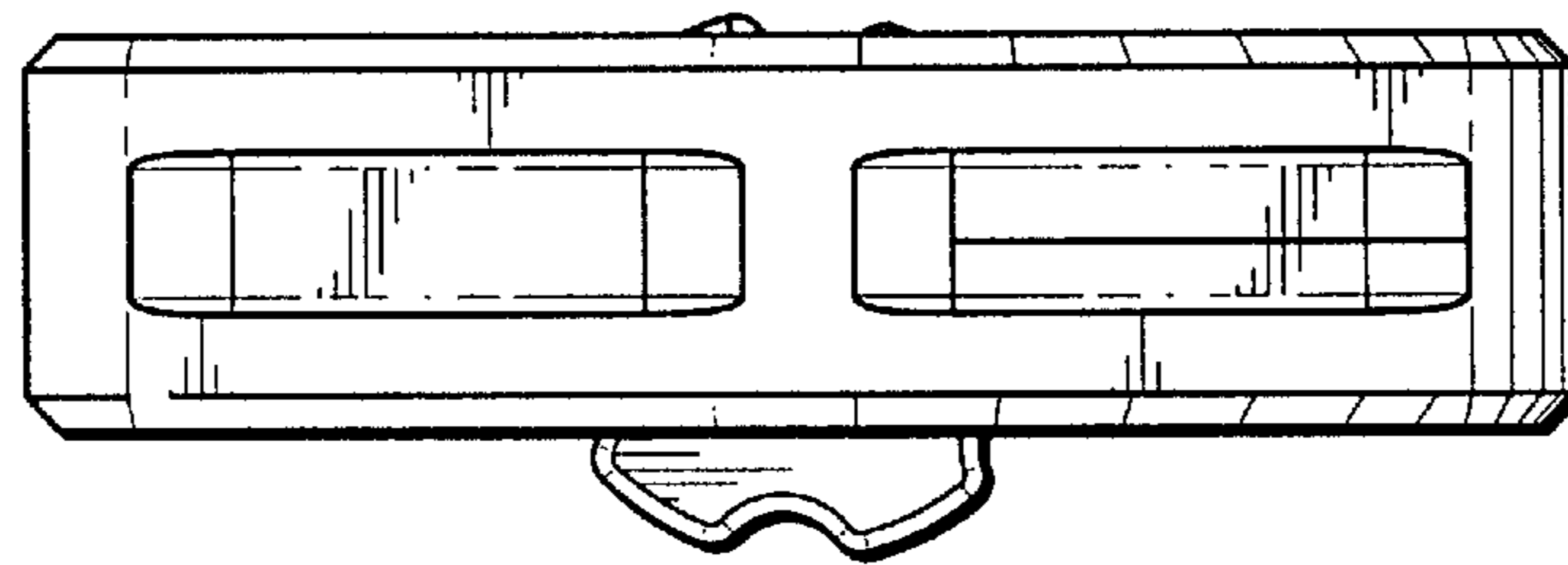


FIG. 5

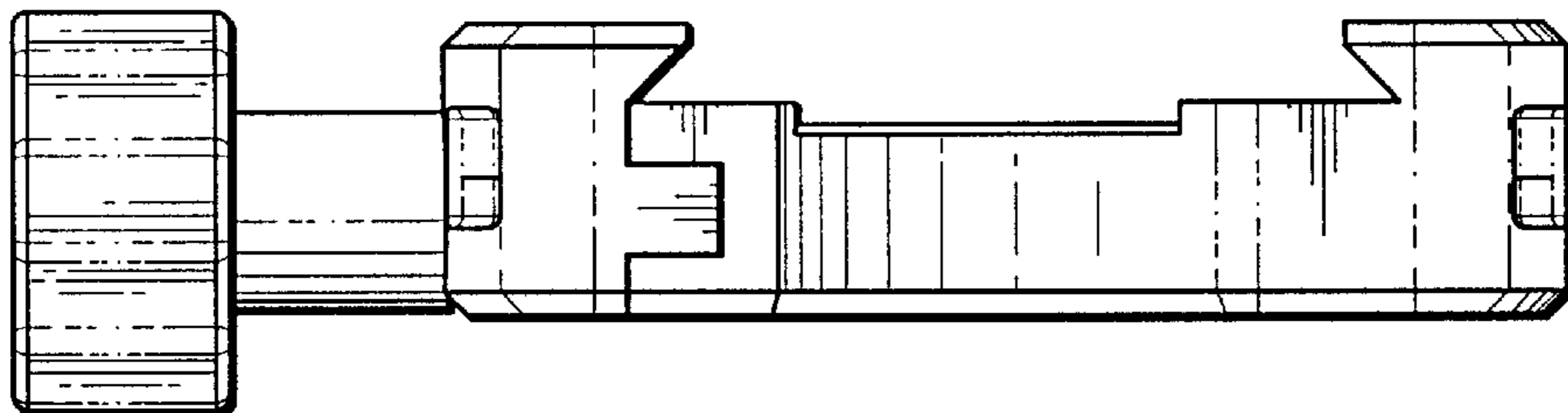


FIG. 6

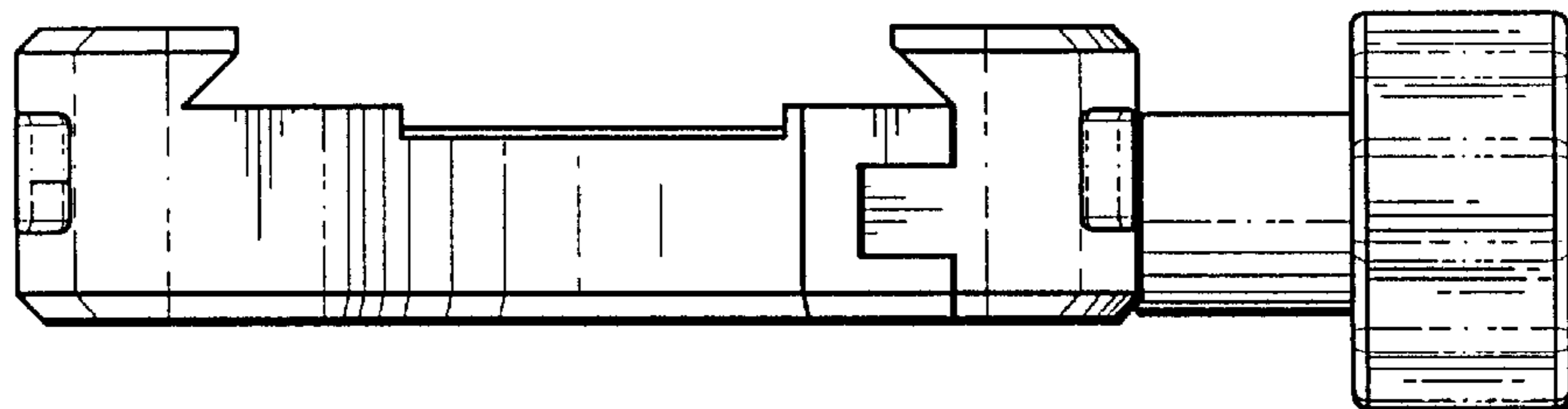


FIG. 7

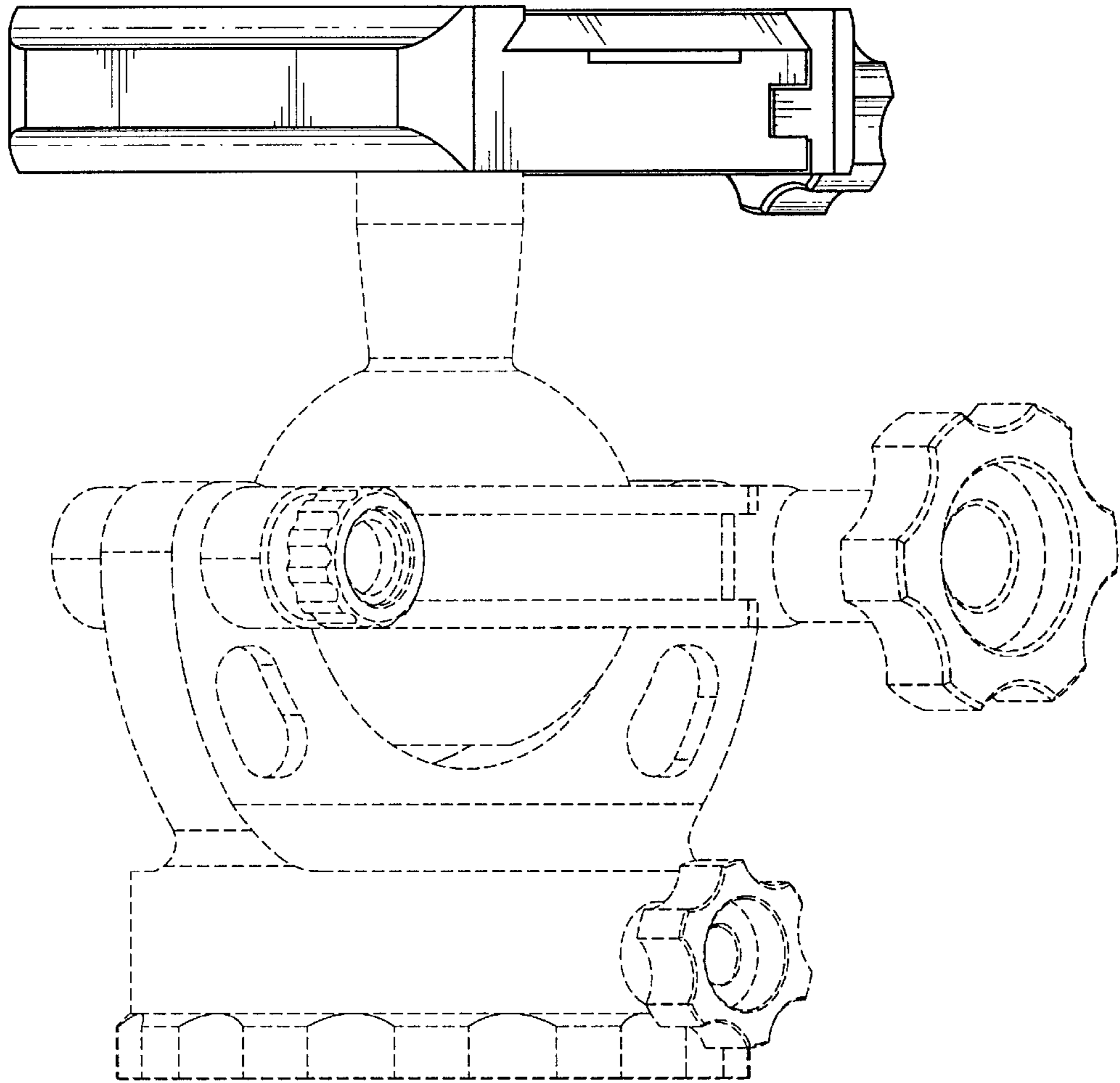


FIG. 8