



US00D483788S

(12) **United States Design Patent**  
**Dordick**

(10) **Patent No.:** **US D483,788 S**

(45) **Date of Patent:** **\*\* Dec. 16, 2003**

(54) **CAMERA MOUNT**

(76) **Inventor:** **Scott D. Dordick**, 102 E. Duell,  
Glendora, CA (US) 91740

(\*\*) **Term:** **14 Years**

(21) **Appl. No.:** **29/166,851**

(22) **Filed:** **Sep. 5, 2002**

(51) **LOC (7) Cl.** ..... **16-05**

(52) **U.S. Cl.** ..... **D16/242; D16/245**

(58) **Field of Search** ..... **D16/237, 242,**  
**D16/244, 245; 248/176.1, 176.3, 177.1,**  
**185.1, 187.1; 352/243; 396/419, 428**

(56) **References Cited**

**U.S. PATENT DOCUMENTS**

D246,528 S	*	11/1977	Miller	.....	D16/245
4,959,671 A	*	9/1990	Ishikawa	.....	396/428
4,979,709 A	*	12/1990	Ishikawa	.....	248/187.1
D323,339 S	*	1/1992	Ishikawa	.....	D16/245
D467,605 S	*	12/2002	Dordick	.....	D16/242

\* cited by examiner

*Primary Examiner*—Adir Aronovich

(74) *Attorney, Agent, or Firm*—Edward O. Ansell

(57) **CLAIM**

The ornamental design for a camera mount, as shown and described.

**DESCRIPTION**

FIG. 1 is a Perspective view of a camera mount showing my new design;

FIG. 2 is a rear elevation view thereof;

FIG. 3 is a top plan view thereof;

FIG. 4 is a right elevation view thereof;

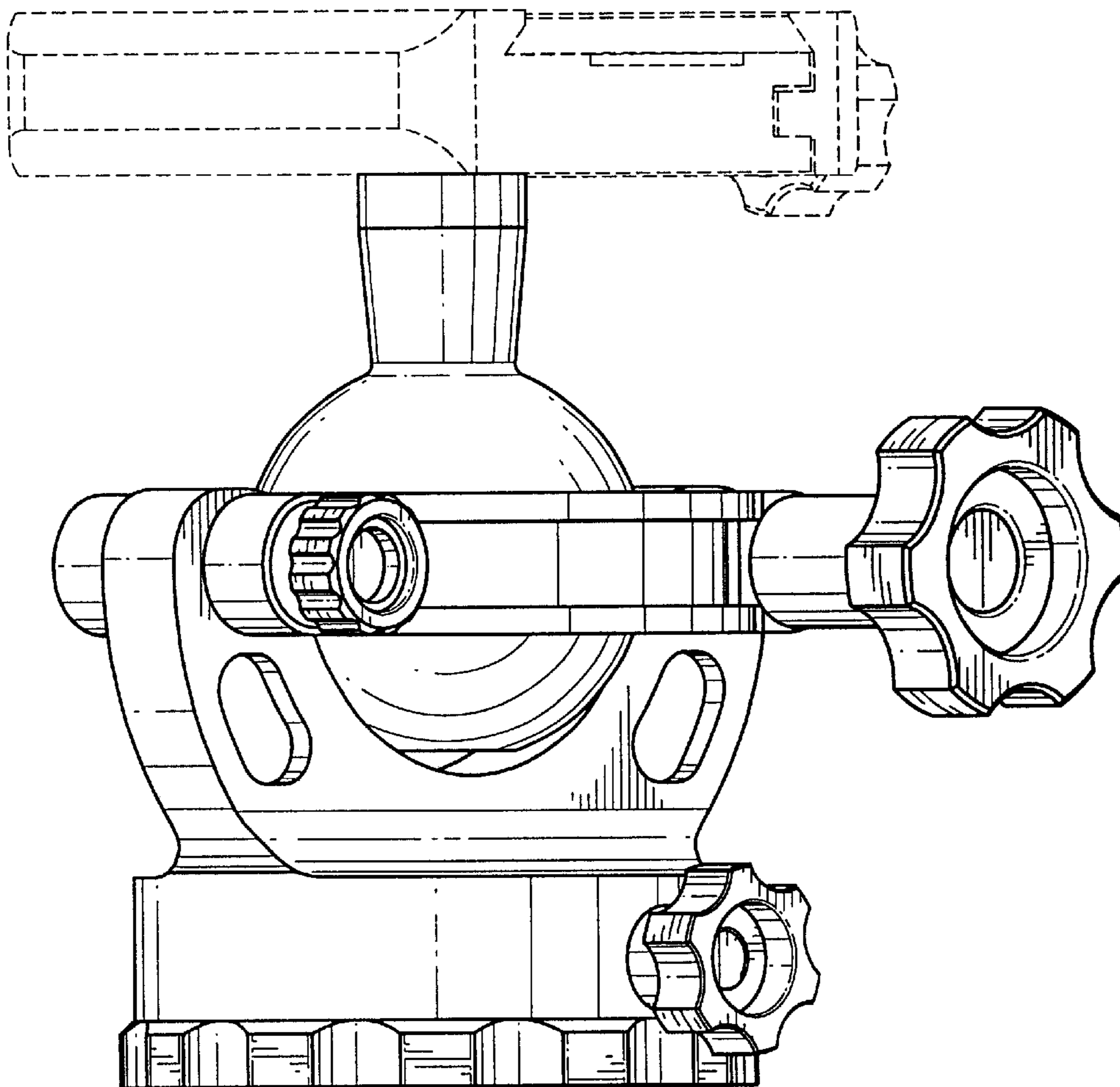
FIG. 5 is a left elevation view thereof;

FIG. 6 is a front elevation view thereof; and,

FIG. 7 is a bottom plan view thereof.

The broken line disclosure of a clamp in the Figures is for illustrative purposes only, being considered necessary to show the environment in which the claimed camera mount design is used, and forms no part of the claimed design.

**1 Claim, 4 Drawing Sheets**



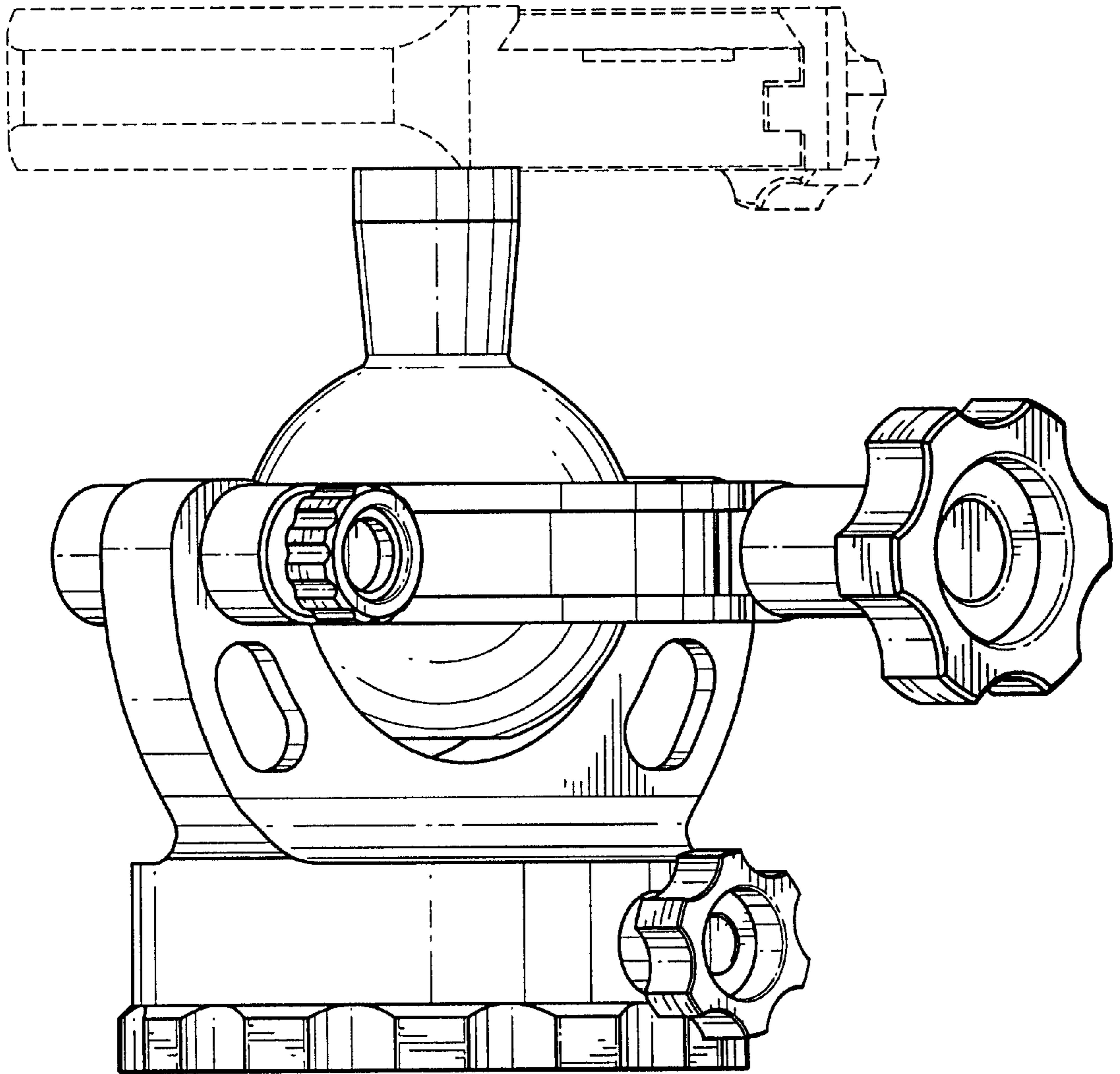


FIG. 1

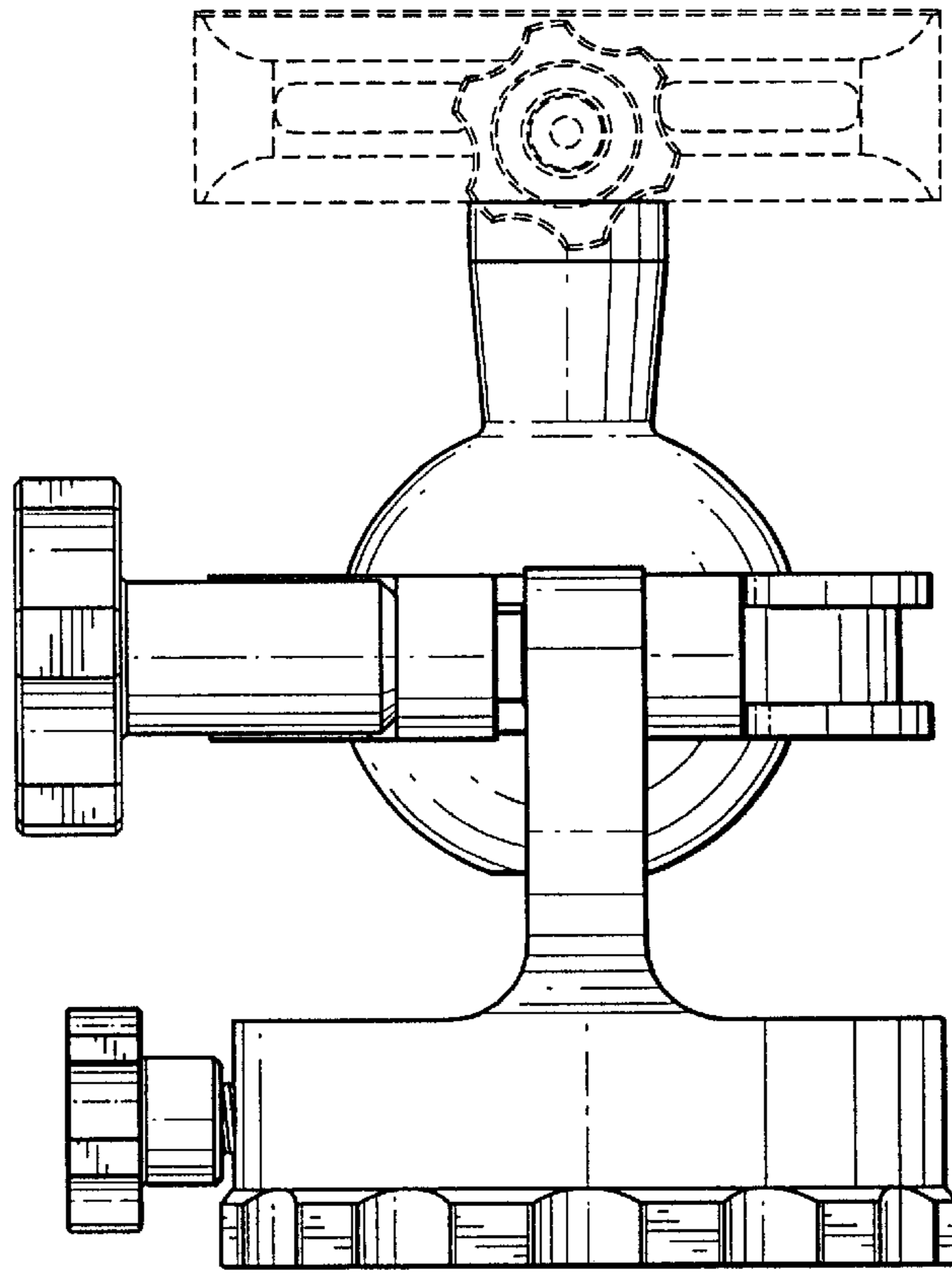


FIG. 2

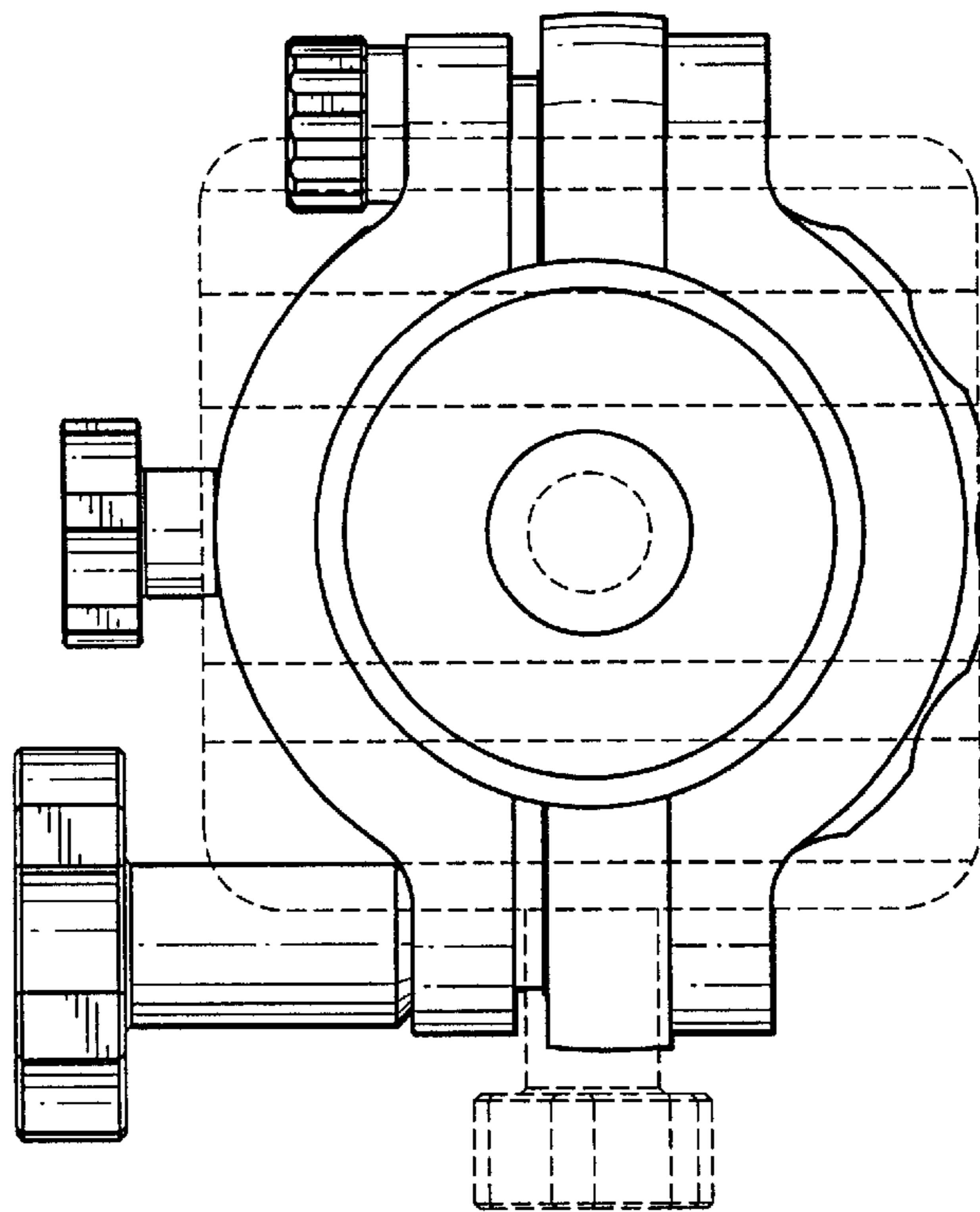


FIG. 3

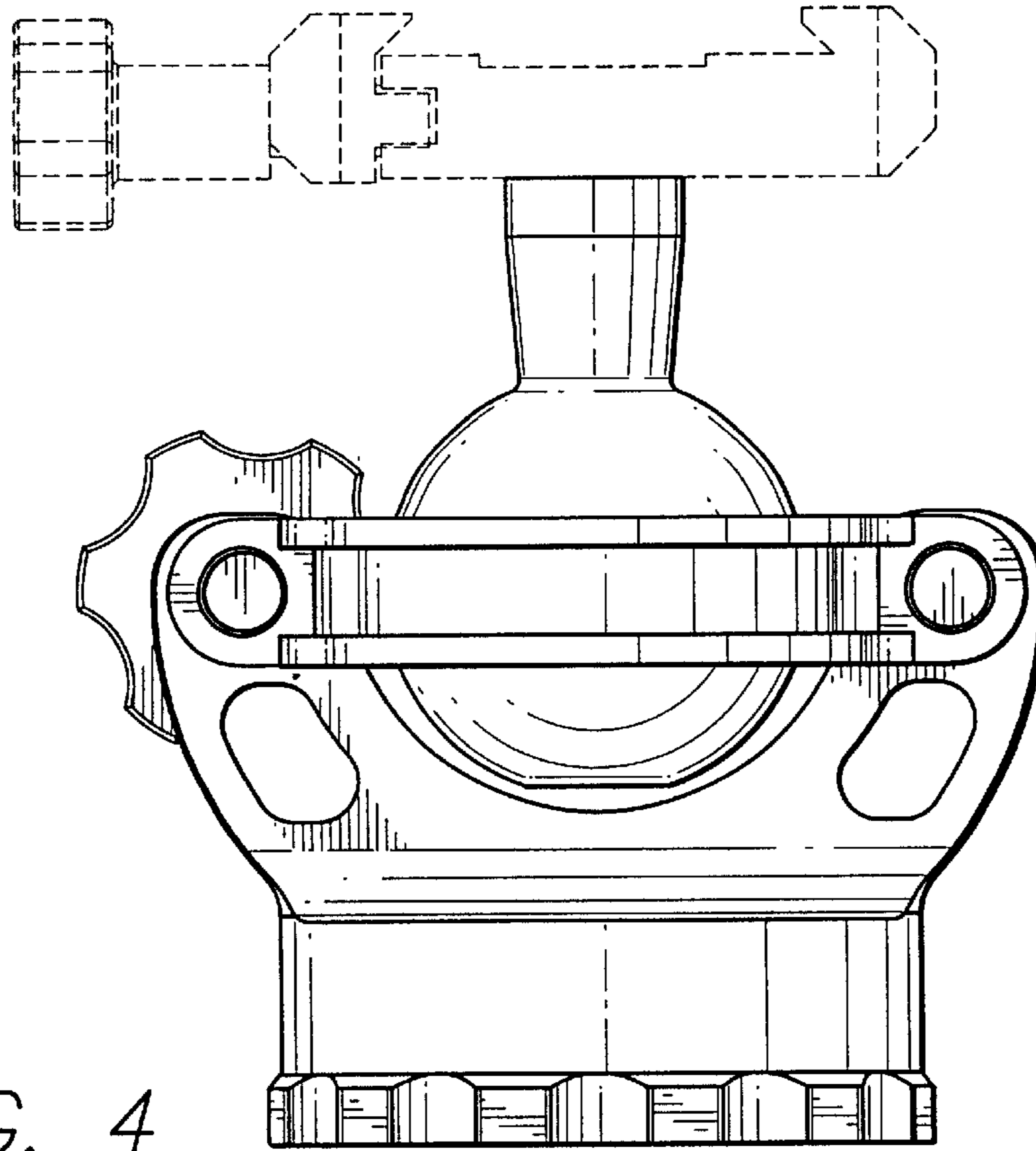


FIG. 4

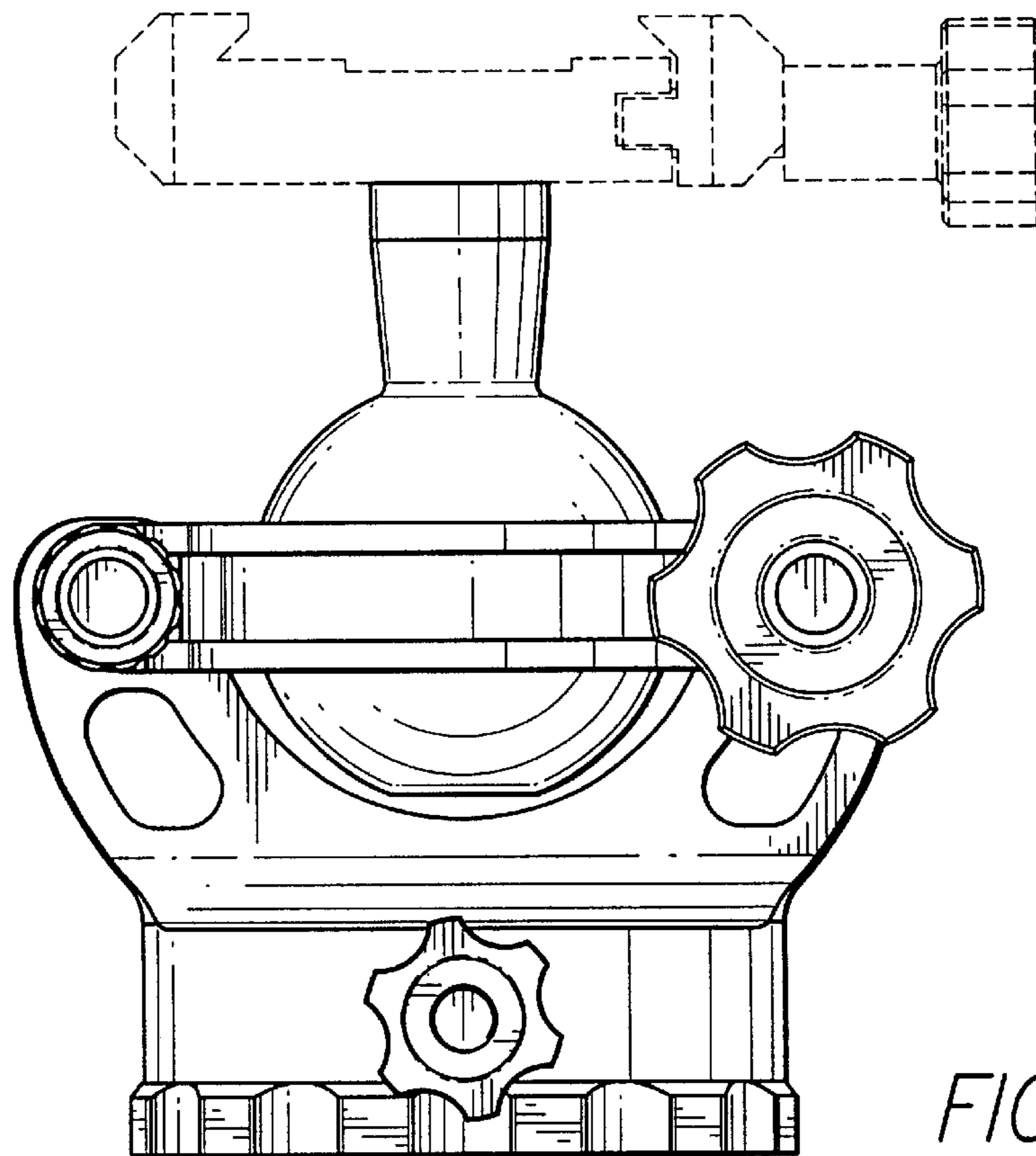


FIG. 5

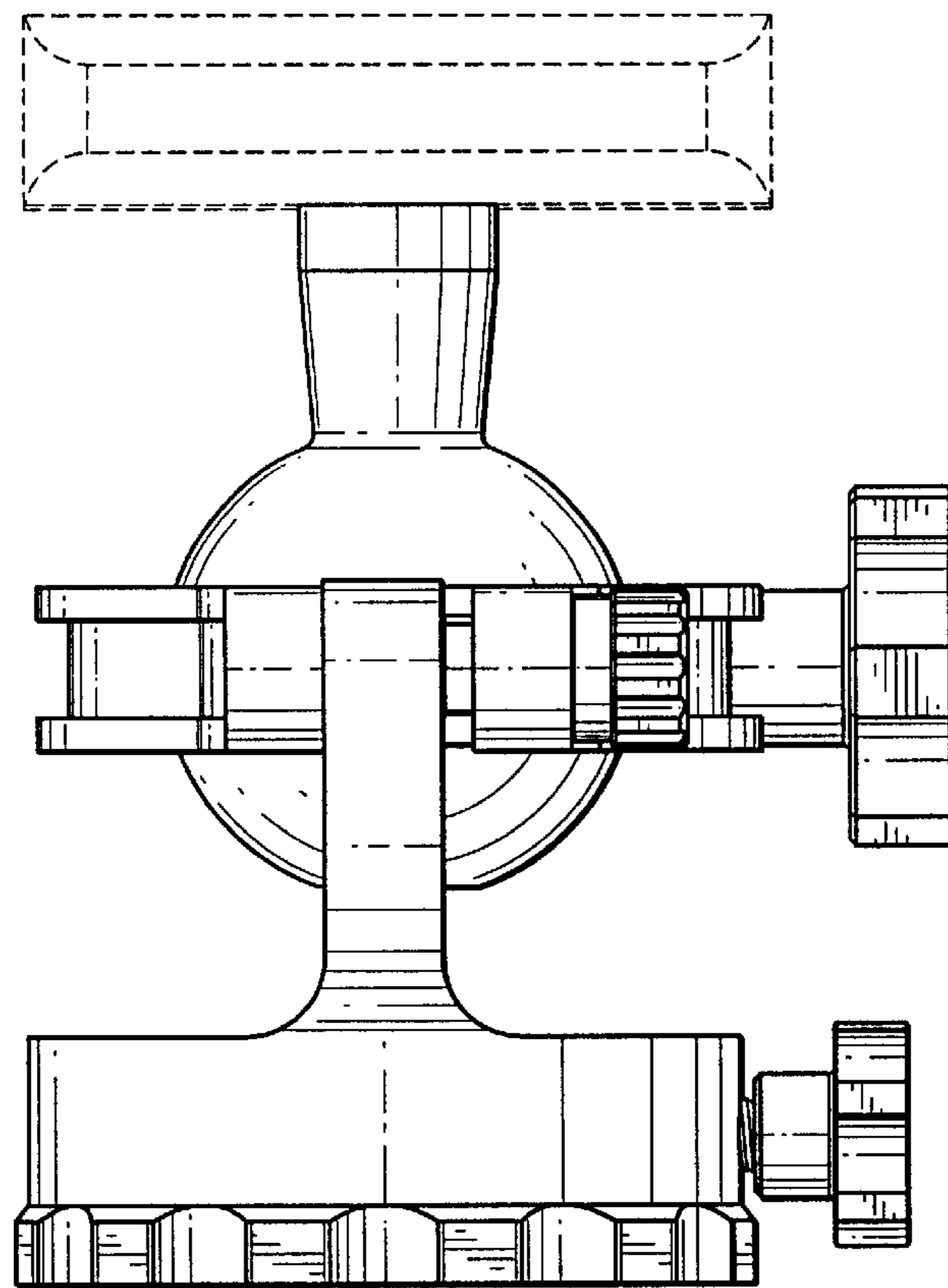


FIG. 6

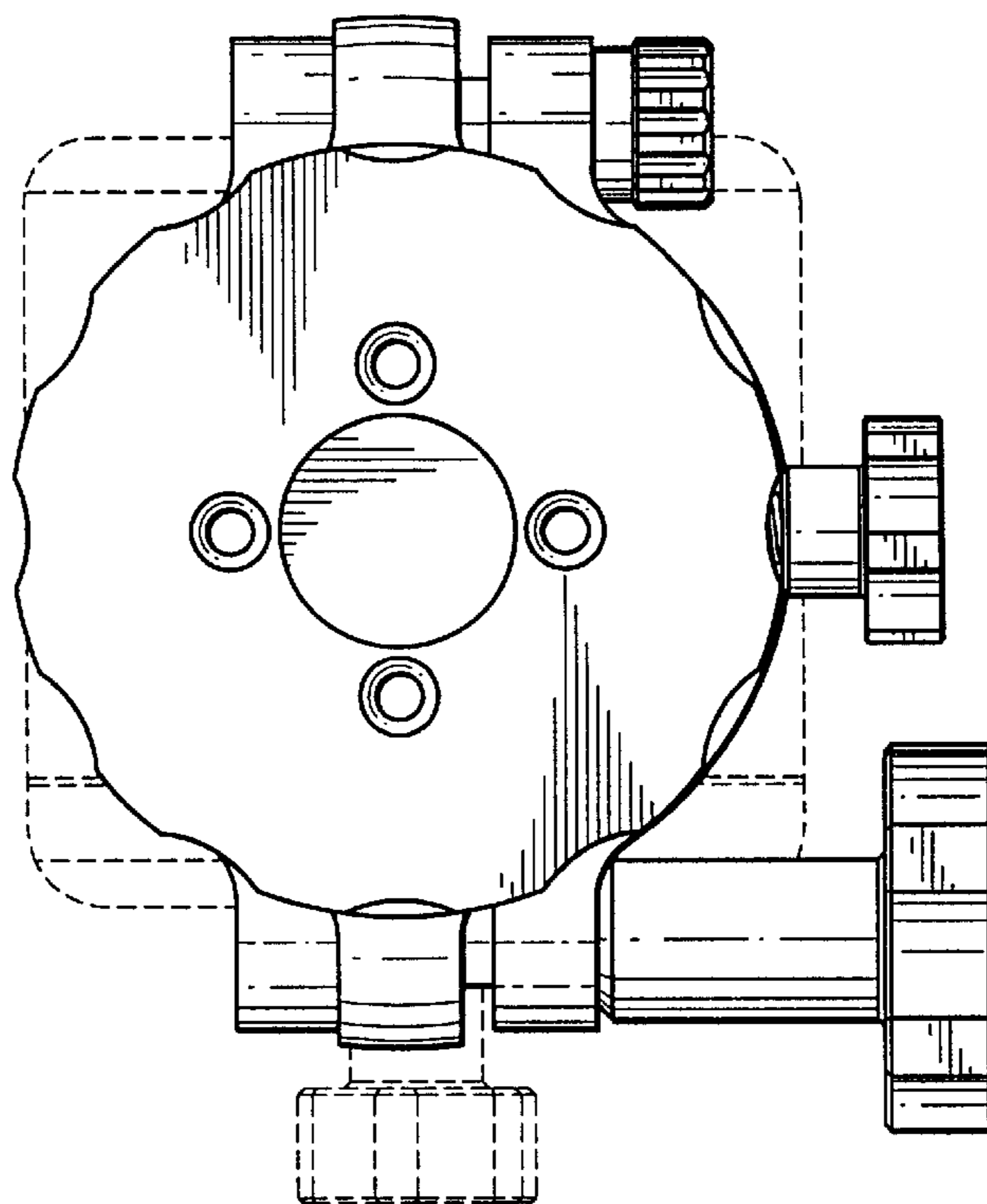


FIG. 7