



US00D483787S

(12) **United States Design Patent**
Kimura

(10) **Patent No.:** **US D483,787 S**

(45) **Date of Patent:** **** Dec. 16, 2003**

(54) **STROBE**

(75) Inventor: **Hiroyuki Kimura**, Tokyo (JP)

(73) Assignee: **Canon Kabushiki Kaisha**, Tokyo (JP)

(**) Term: **14 Years**

(21) Appl. No.: **29/156,186**

(22) Filed: **Feb. 26, 2002**

(30) **Foreign Application Priority Data**

Sep. 14, 2001 (JP) 2001-027103

(51) **LOC (7) Cl.** **16-05**

(52) **U.S. Cl.** **D16/239**

(58) **Field of Search** D16/237, 239,
D16/240; 362/3, 11, 16-18; 396/155, 157,
180, 182

(56) **References Cited**

U.S. PATENT DOCUMENTS

1,985,097 A * 12/1934 Kearsley 396/182

4,201,434 A * 5/1980 Tureck 396/155

D255,458 S * 6/1980 Conner D16/239

4,392,183 A * 7/1983 Ostlund et al. 362/11

5,752,097 A * 5/1998 McIntyre 396/157

* cited by examiner

Primary Examiner—Adir Aronovich

(74) *Attorney, Agent, or Firm*—Fitzpatrick, Cella, Harper & Scinto

(57) **CLAIM**

The ornamental design for a strobe, as shown and described.

DESCRIPTION

FIG. 1 is a front view of a strobe showing my new design;
FIG. 2 is a rear view thereof;
FIG. 3 is a top plan view thereof;
FIG. 4 is a bottom plan view thereof;
FIG. 5 is a left side view thereof;
FIG. 6 is a right side view thereof; and,
FIG. 7 is a perspective view thereof.

1 Claim, 7 Drawing Sheets

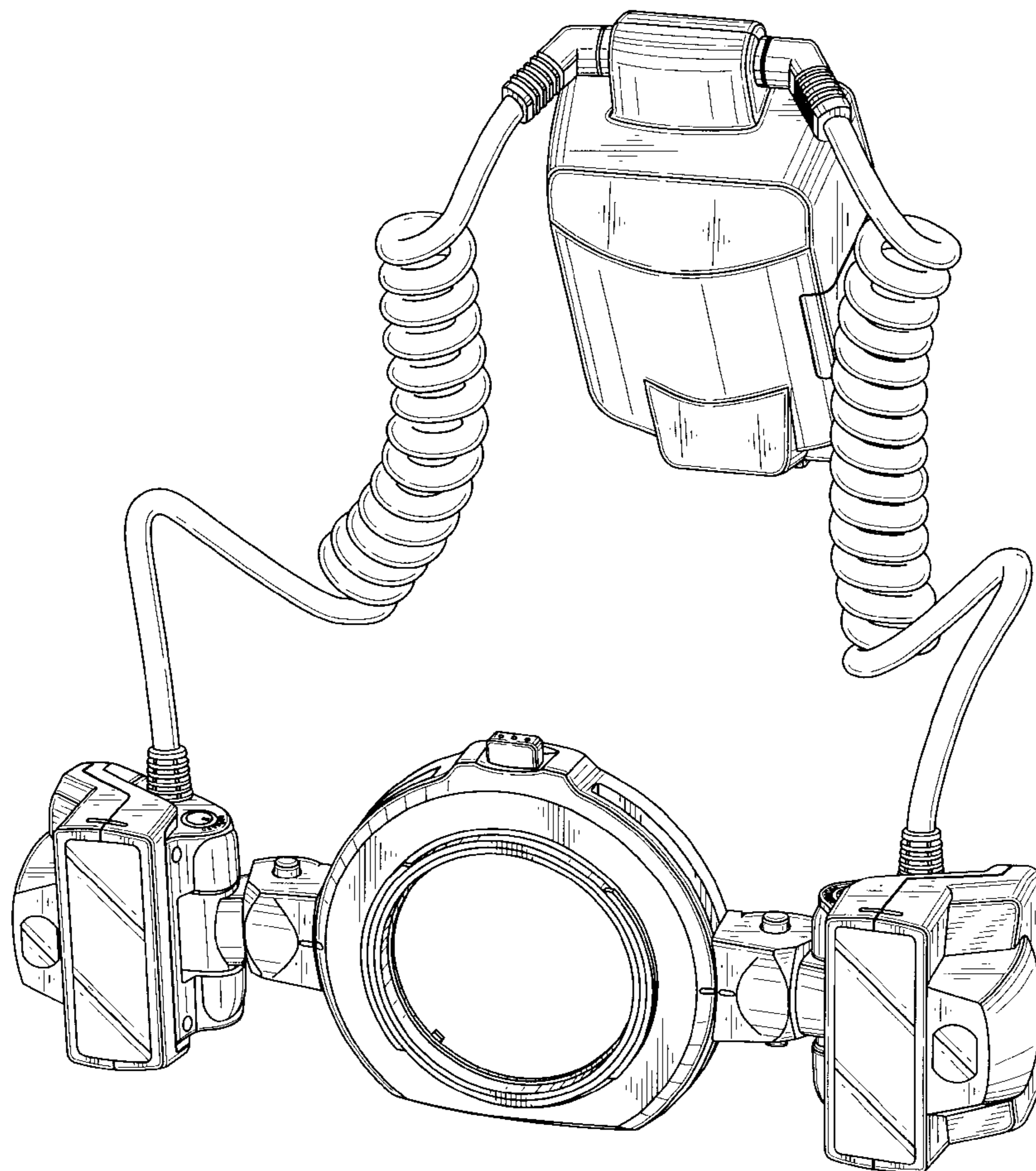


FIG. 1

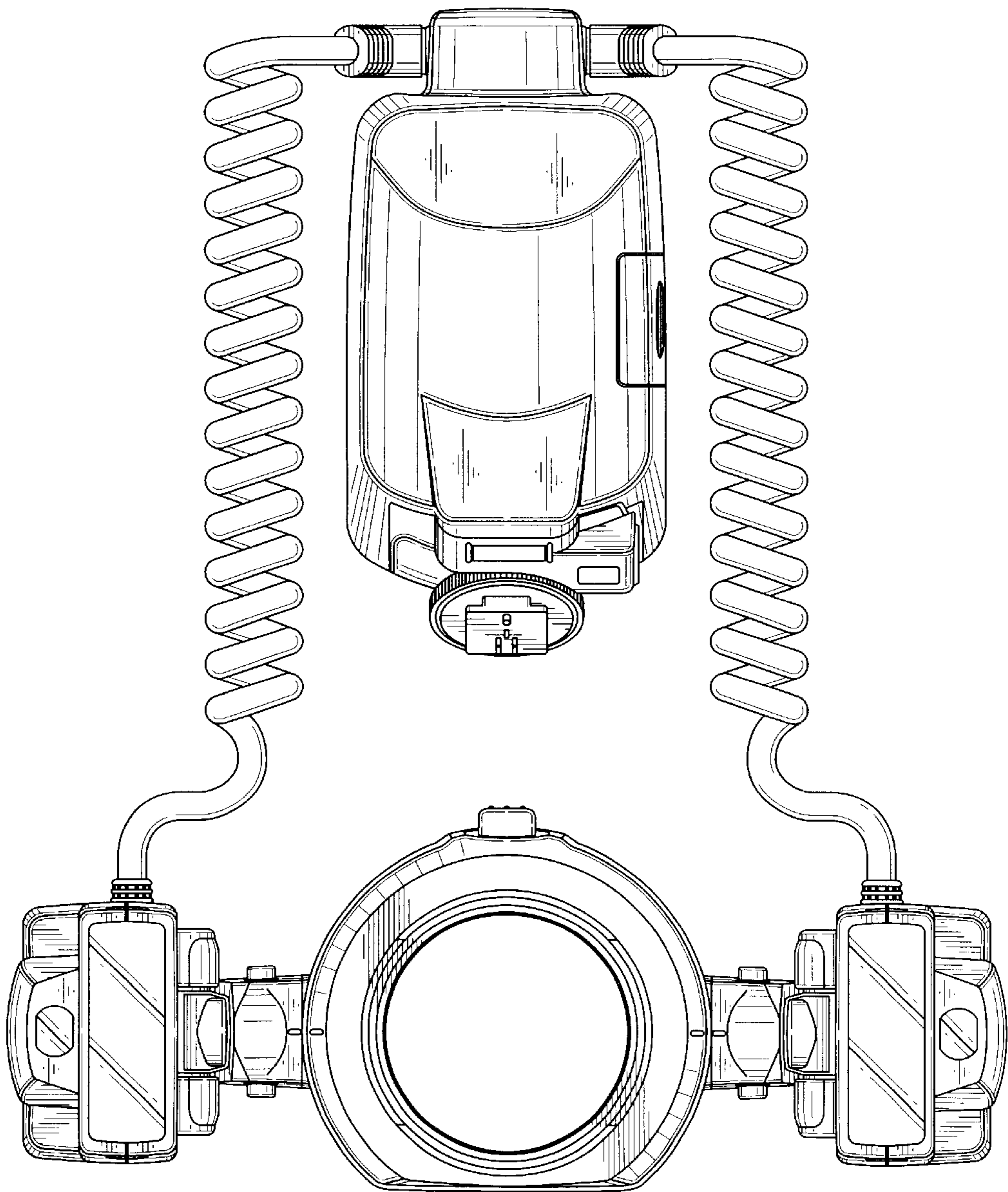


FIG. 2

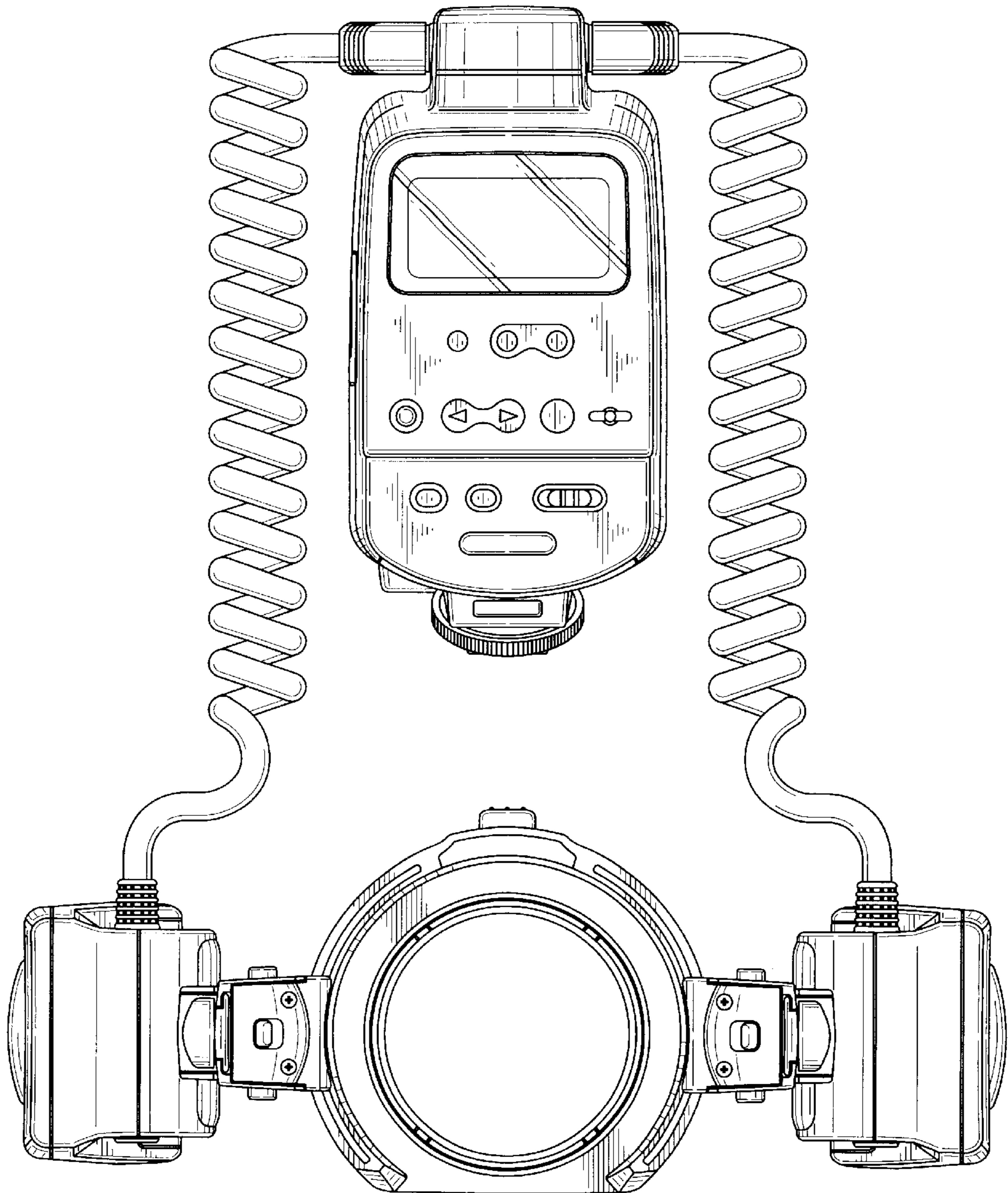


FIG. 3

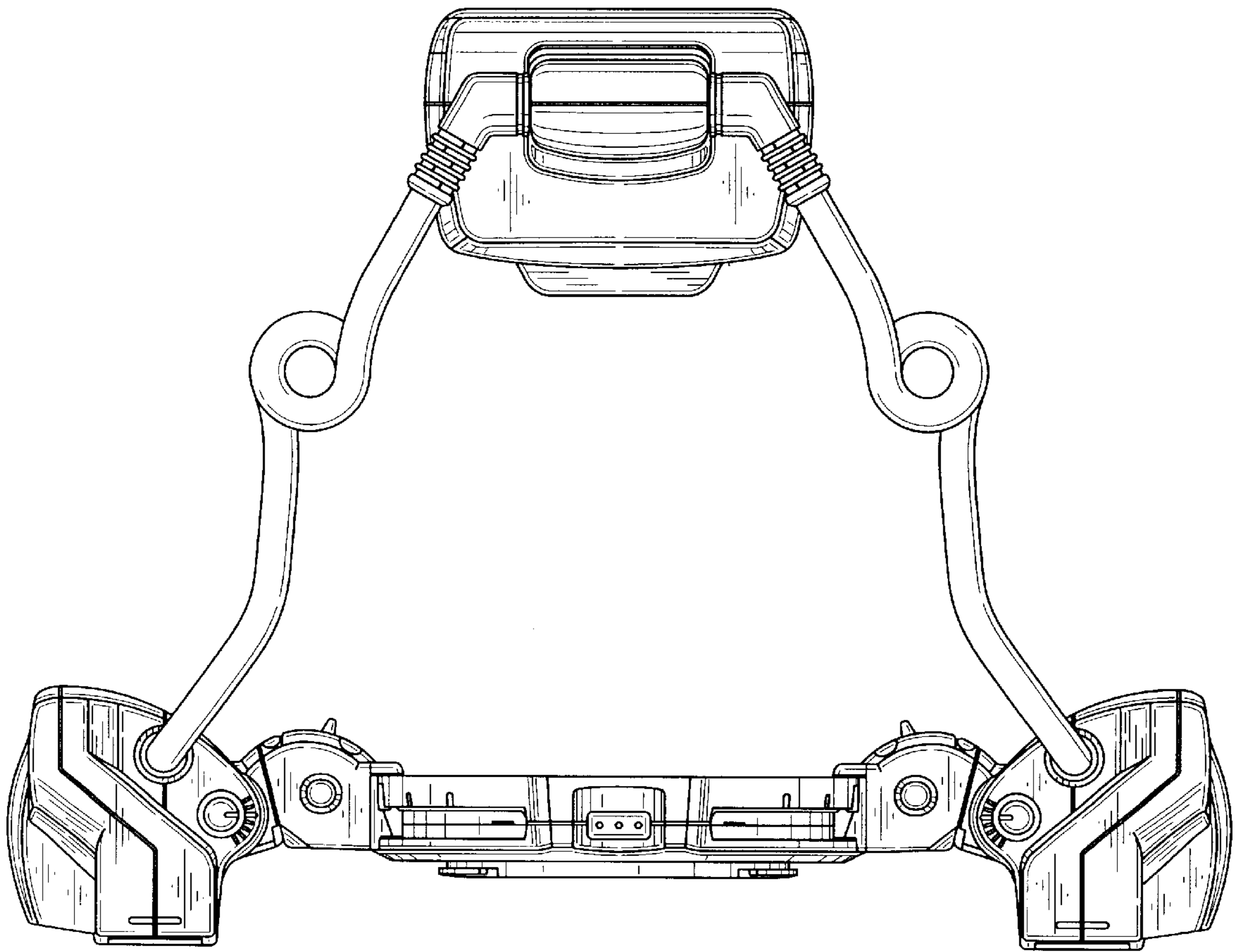


FIG. 4

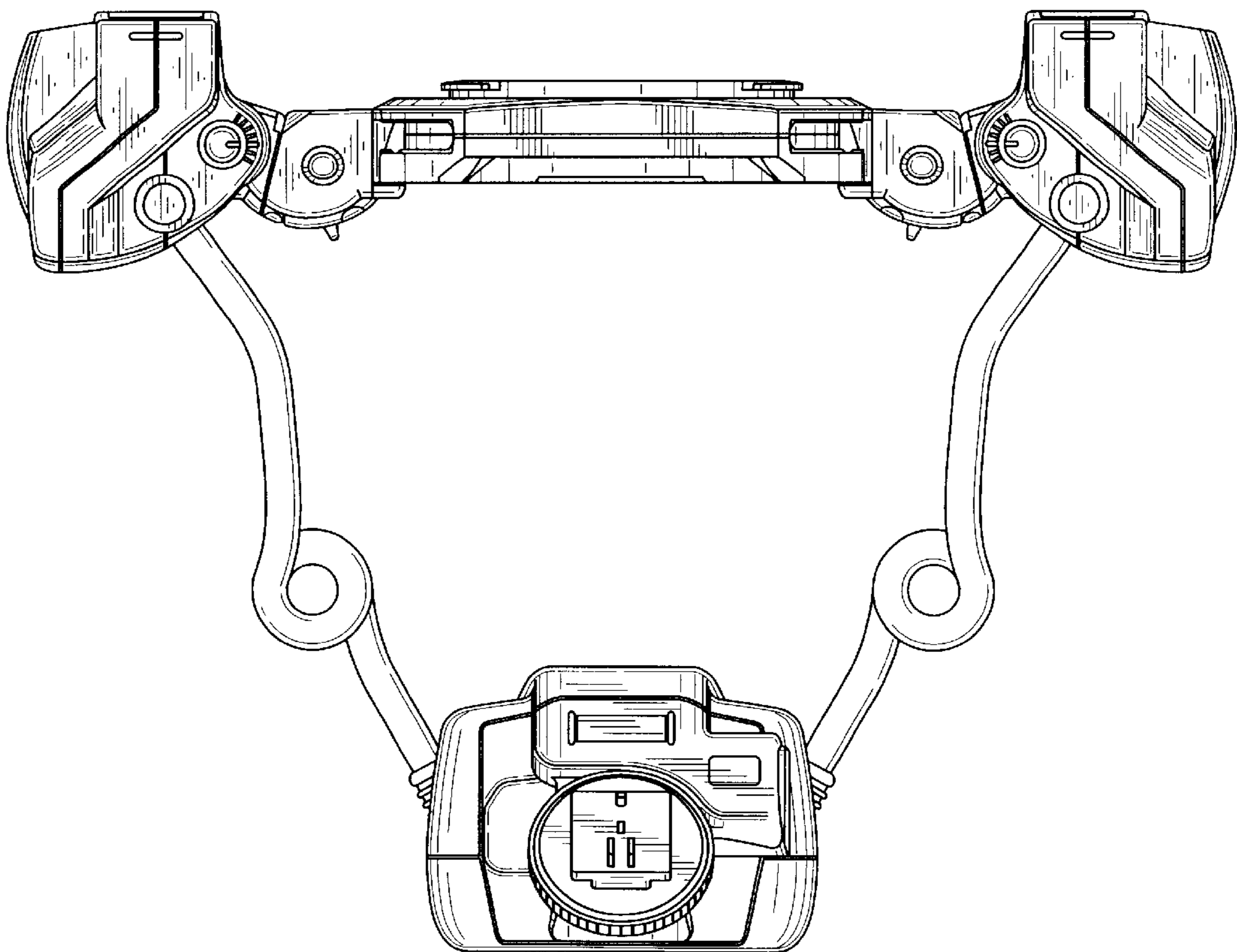


FIG. 5

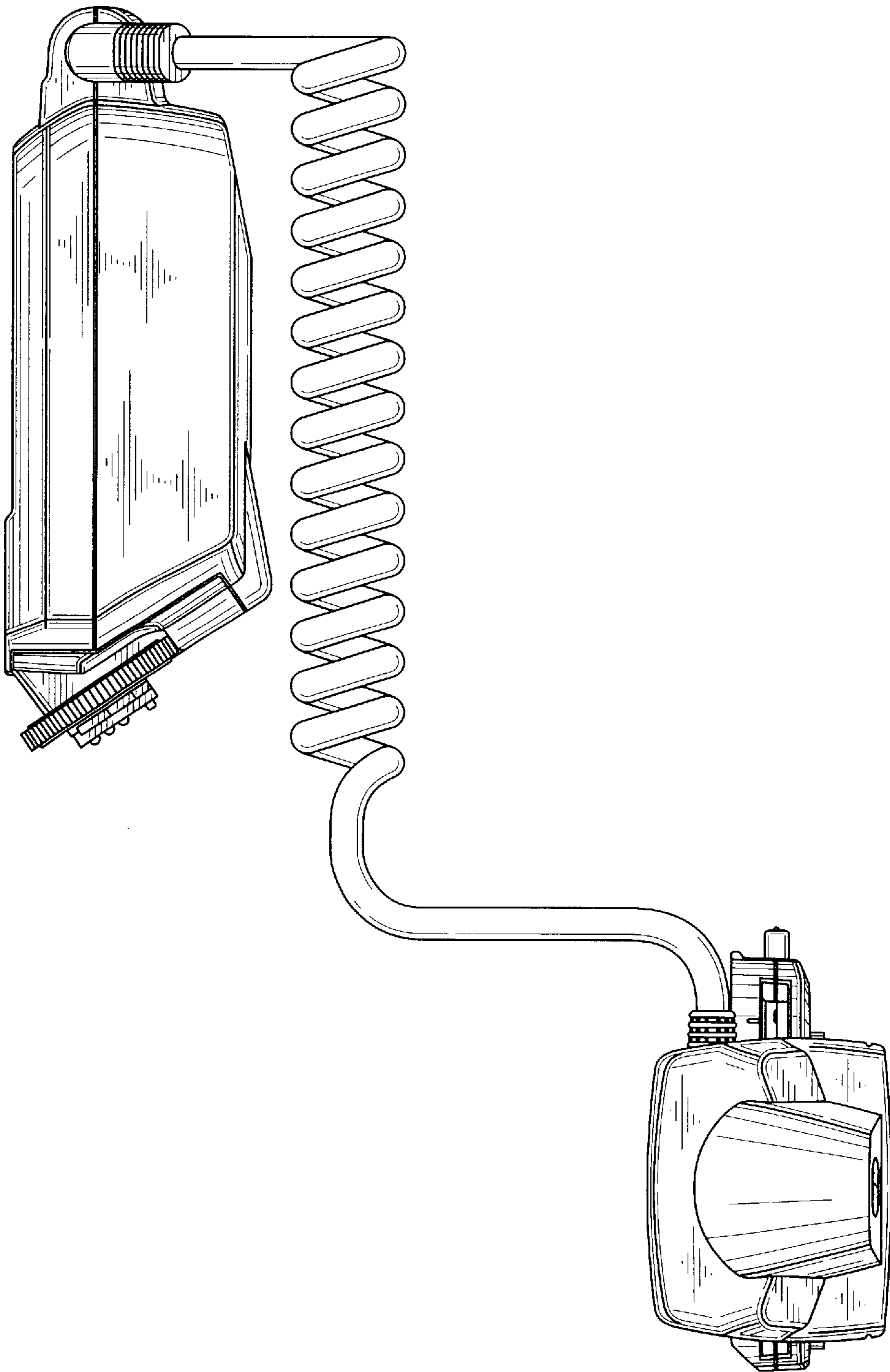


FIG. 6

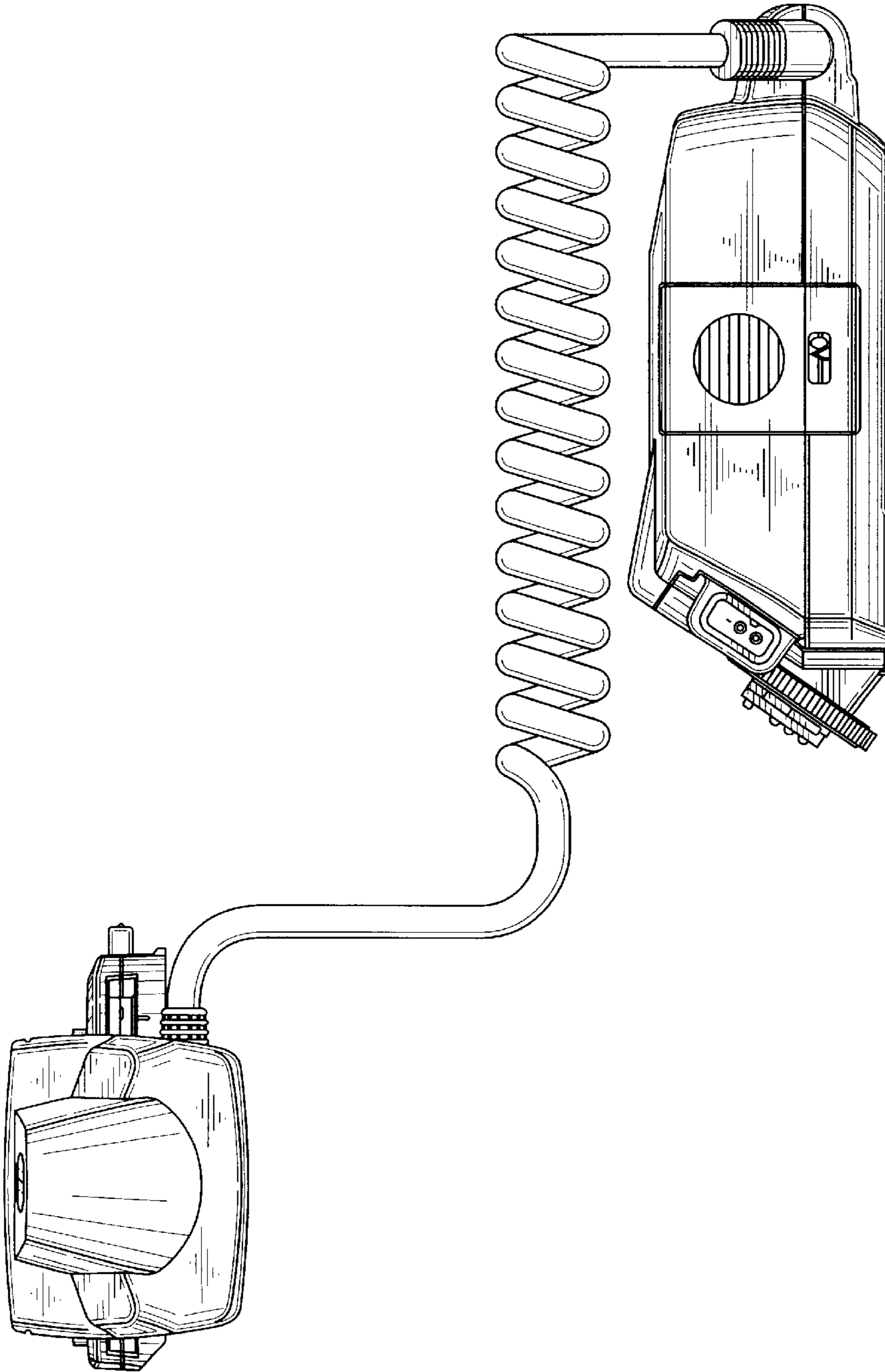


FIG. 7

