



US00D483786S

(12) **United States Design Patent**  
**Urushihata**

(10) **Patent No.:** **US D483,786 S**

(45) **Date of Patent:** **\*\* Dec. 16, 2003**

(54) **CAMERA**

(75) Inventor: **Mutsumi Urushihata**, Hino (JP)

(73) Assignee: **Olympus Optical Co., Ltd.**, Tokyo (JP)

(\*\*) Term: **14 Years**

(21) Appl. No.: **29/174,284**

(22) Filed: **Jan. 14, 2003**

(30) **Foreign Application Priority Data**

Dec. 2, 2002 (JP) ..... 2002-033328

(51) **LOC (7) Cl.** ..... **16-01**

(52) **U.S. Cl.** ..... **D16/212; D16/202**

(58) **Field of Search** ..... **D16/200-204,**  
**D16/208, 211, 212, 218; 396/59, 348, 349,**  
**448, 535-541**

(56) **References Cited**

**U.S. PATENT DOCUMENTS**

5,701,533	A	*	12/1997	Suzuki et al.	.....	396/349
D415,511	S	*	10/1999	Funakoshi et al.	.....	D16/209
6,104,882	A	*	8/2000	Inazuka	.....	396/539
D449,325	S	*	10/2001	Iue et al.	.....	D16/202
D462,704	S	*	9/2002	Suzuki et al.	.....	D16/202
D465,800	S	*	11/2002	Suzuki et al.	.....	D16/202

\* cited by examiner

*Primary Examiner*—Adir Aronovich

(74) *Attorney, Agent, or Firm*—Hogan & Hartson LLP

(57) **CLAIM**

The ornamental design for a camera, as shown and described.

**DESCRIPTION**

FIG. 1 is a perspective view showing a camera as our novel design, which is seen from the front side obliquely from upper right side;

FIG. 2 is a perspective view thereof, which is seen from the rear side obliquely from upper left side;

FIG. 3 is a front view thereof;

FIG. 4 is a rear view thereof;

FIG. 5 is a top plan view thereof;

FIG. 6 is a bottom plan view thereof;

FIG. 7 is a right side view thereof;

FIG. 8 is a left side view thereof;

FIG. 9 is a perspective view showing the camera having the lens barrier thereof opened and the photographing lens thereof extended, which is seen from the front side obliquely from upper right side;

FIG. 10 is a front view thereof showing the camera having the lens barrier thereof opened, the photographing lens thereof extended and the strobe thereof exposed; and,

FIG. 11 is a right side view thereof showing the camera having the lens barrier thereof opened and the photographing lens thereof extended.

**1 Claim, 7 Drawing Sheets**

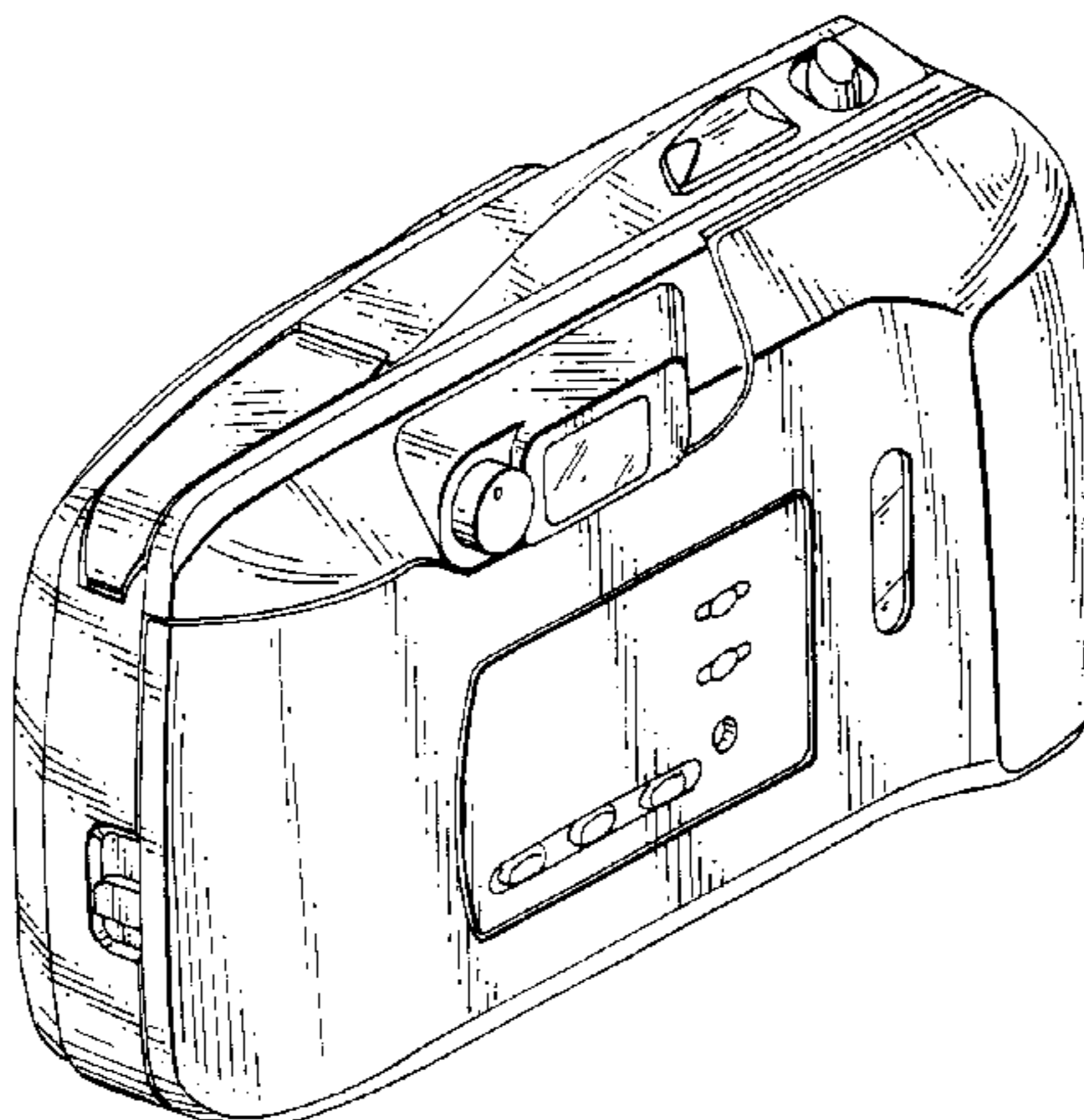
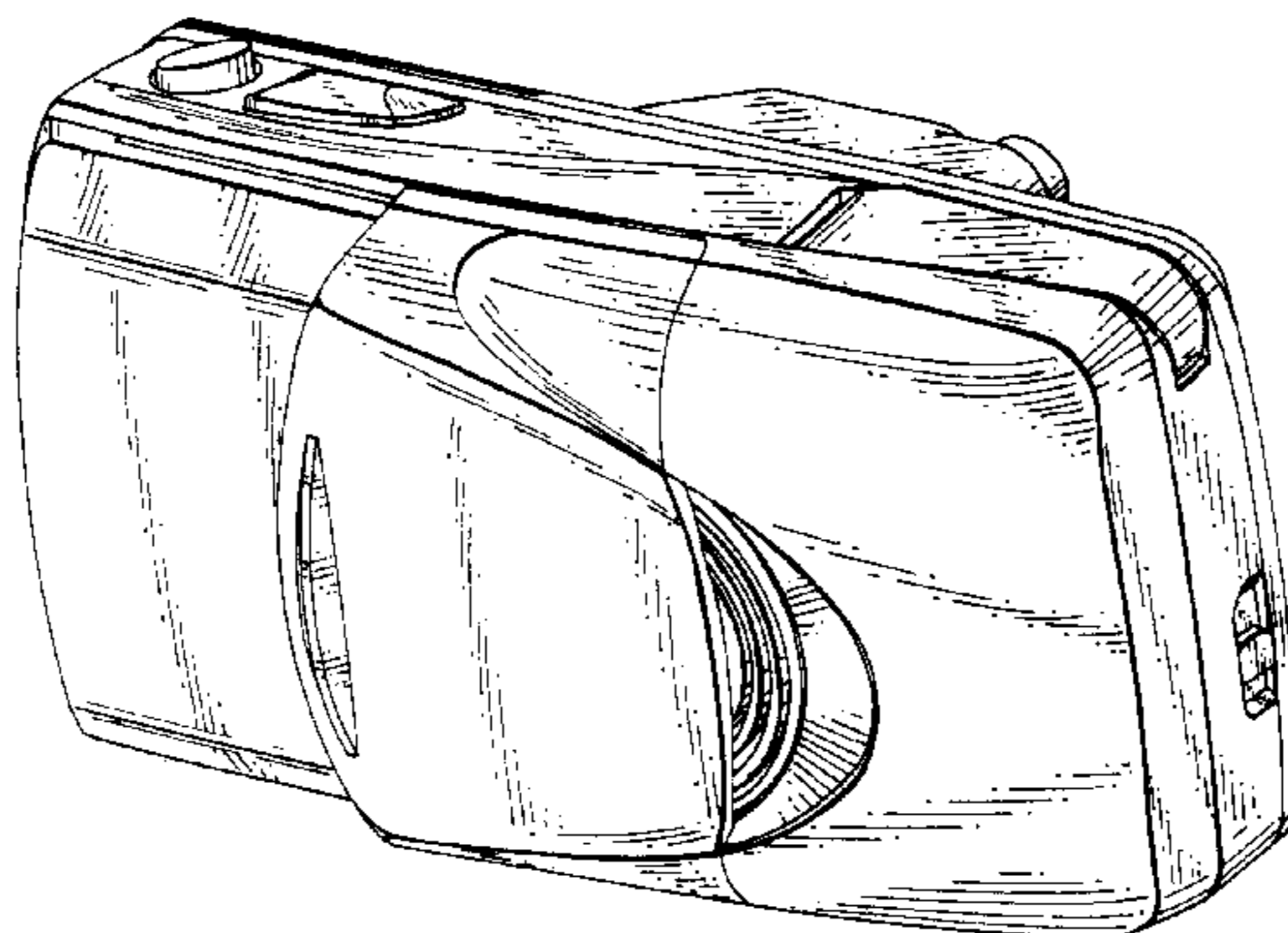


FIG. 1

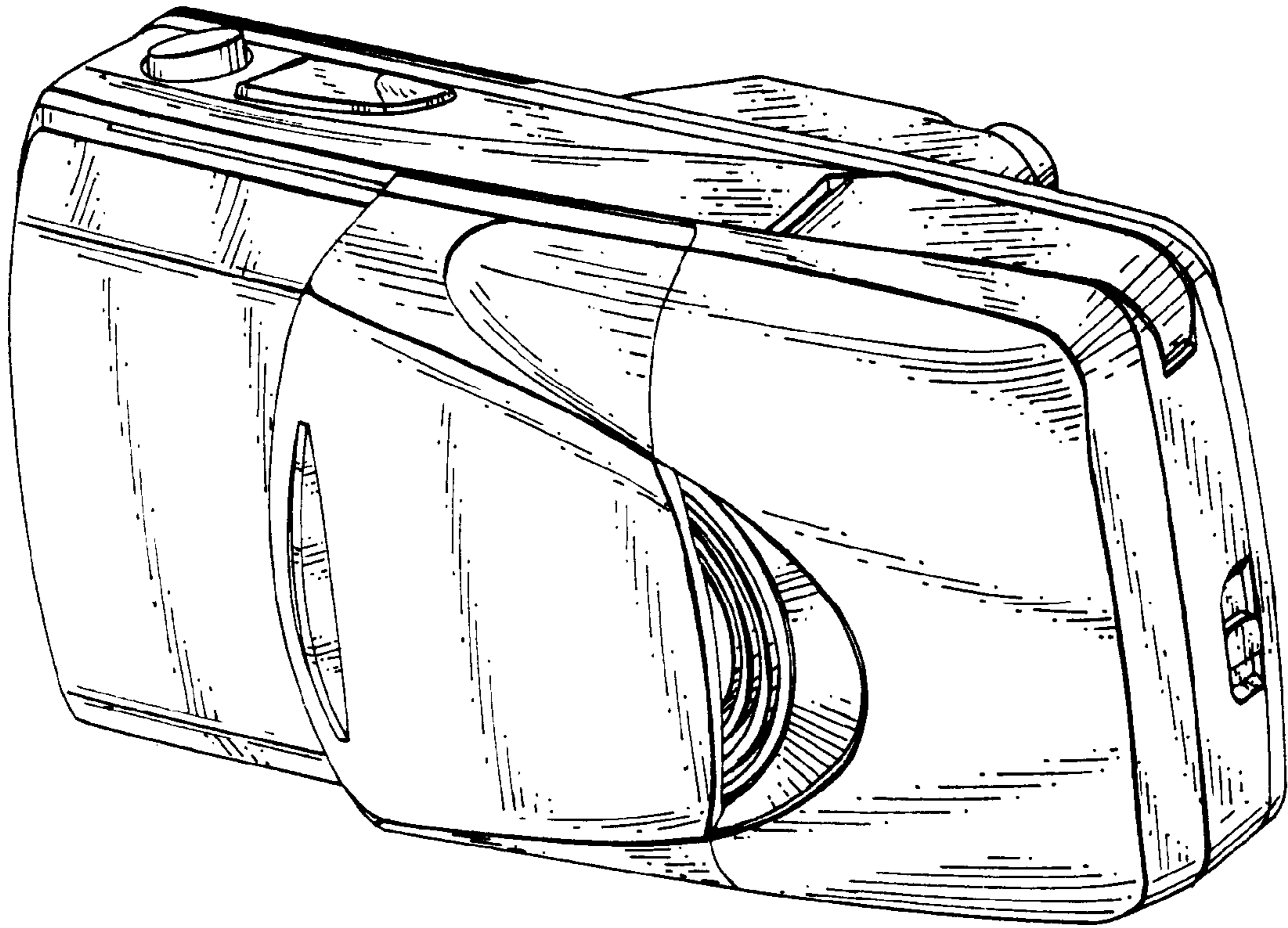


FIG. 2

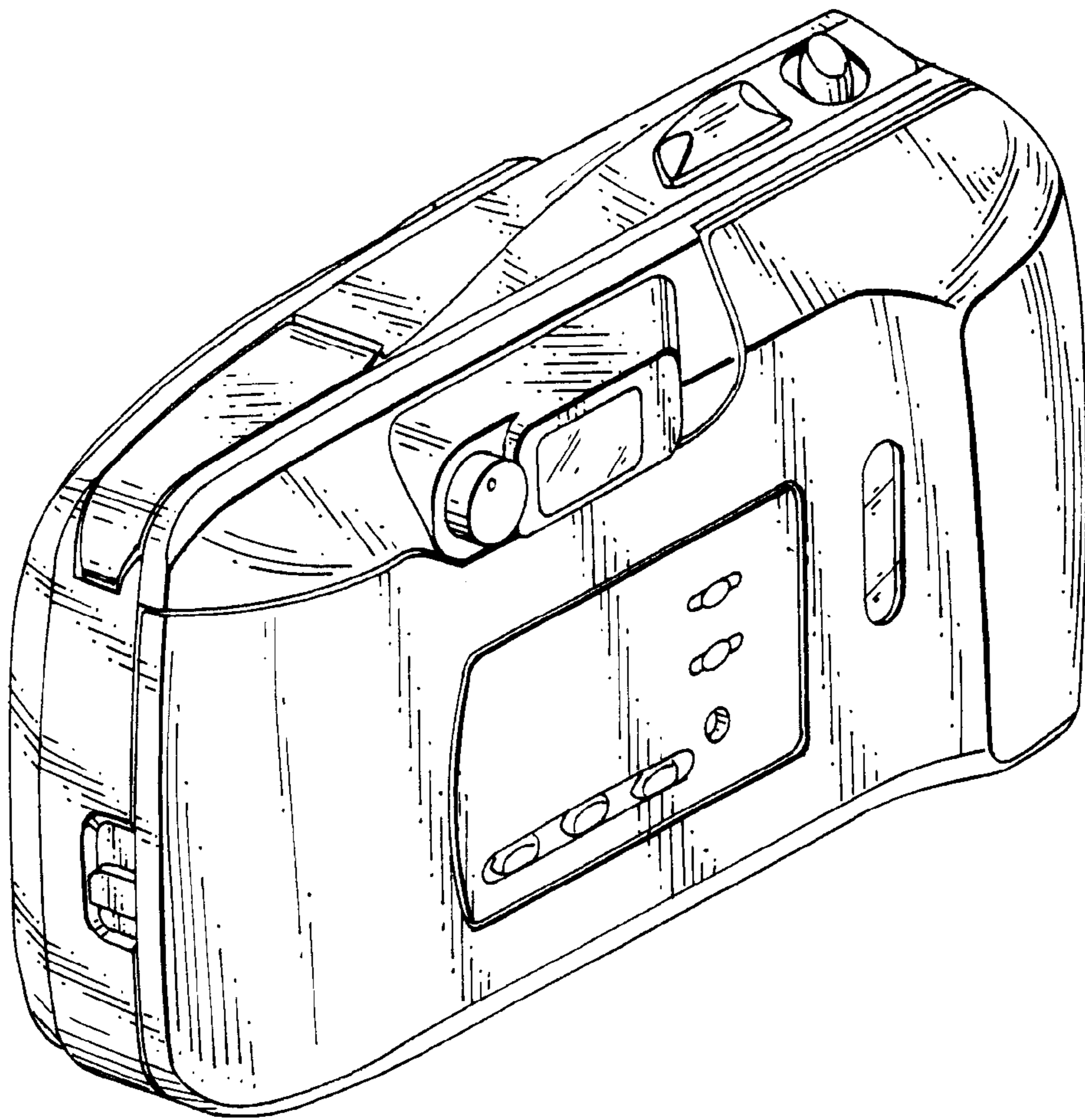


FIG. 3

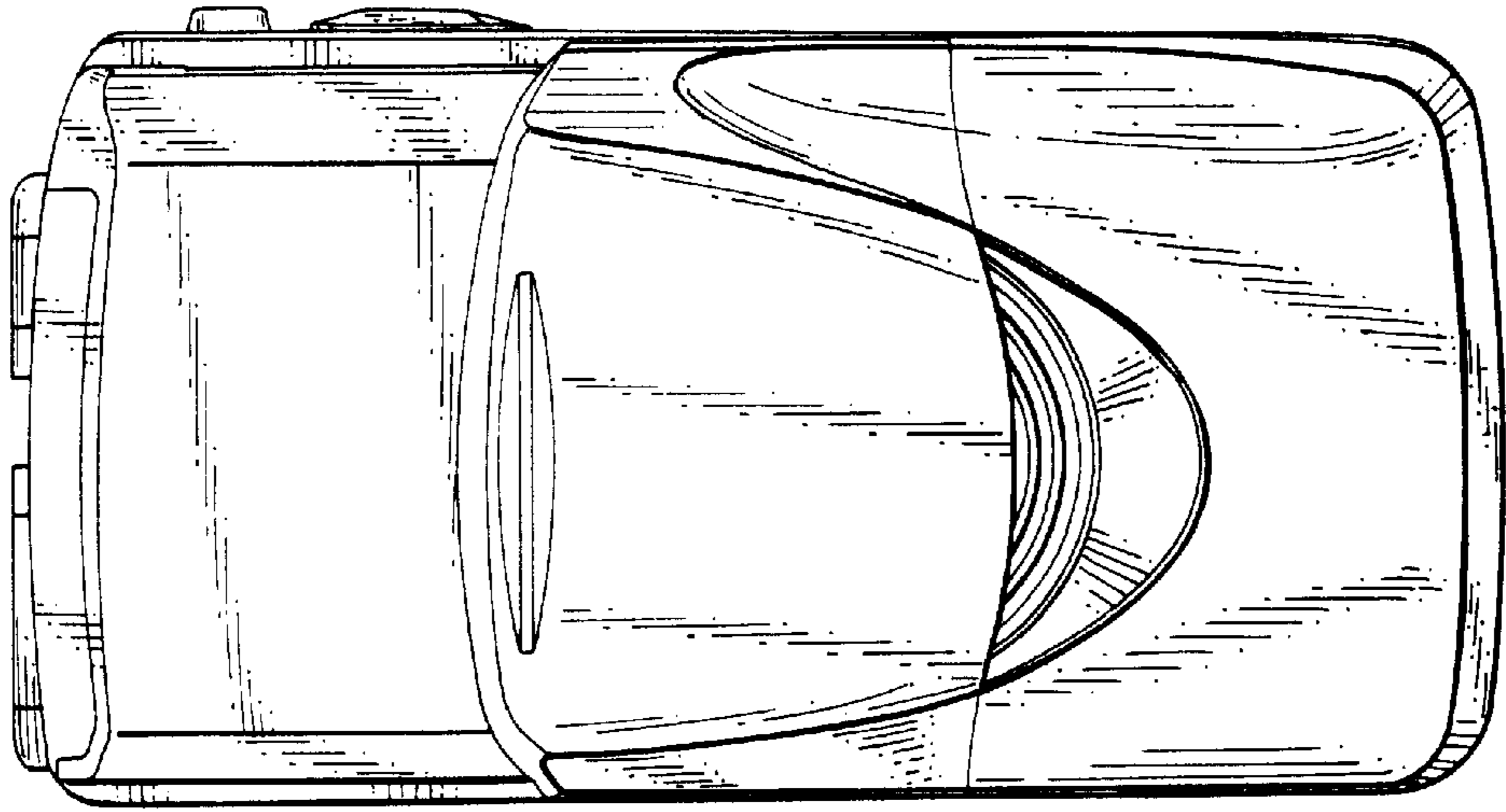


FIG. 4

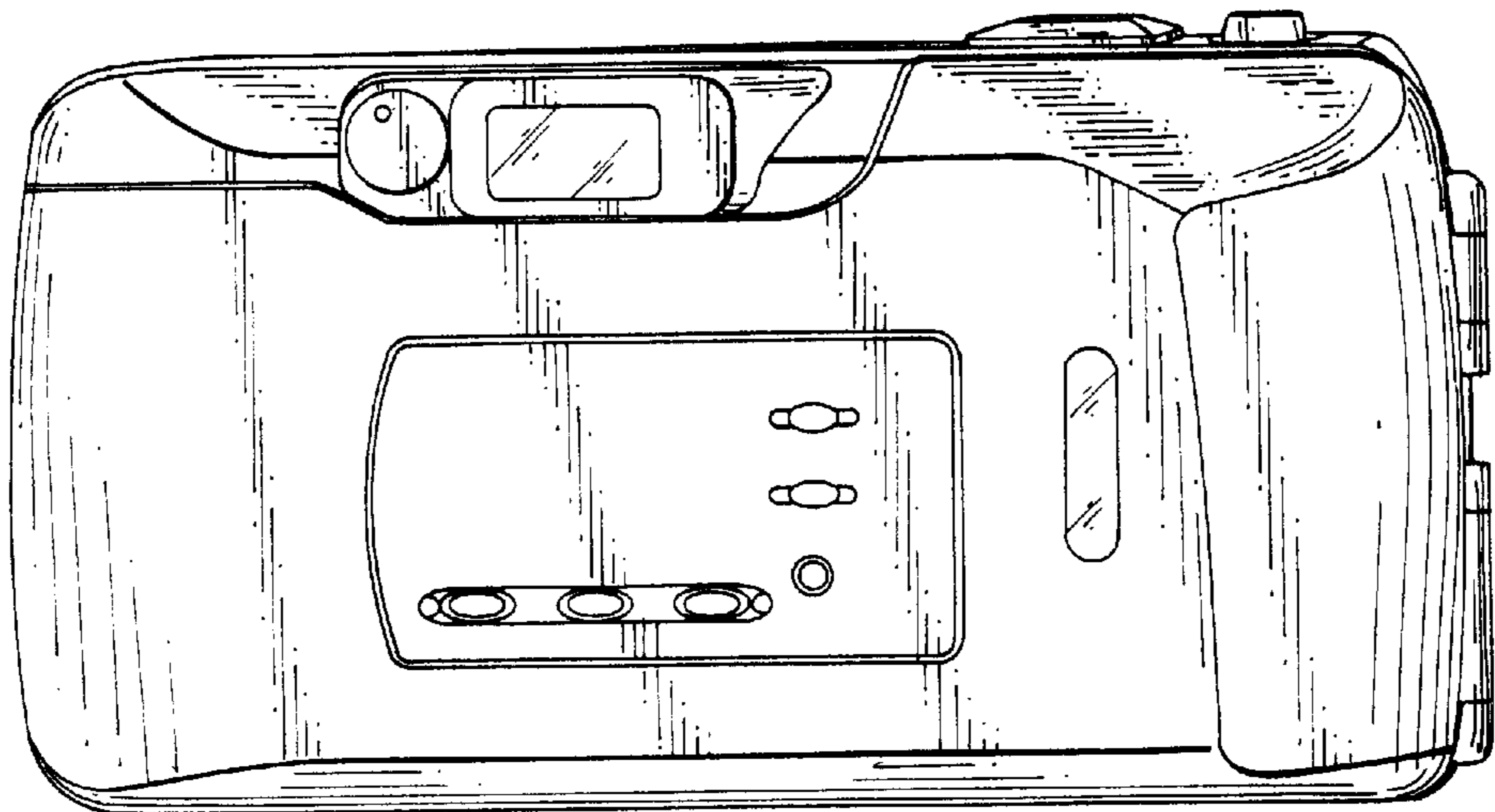


FIG. 5

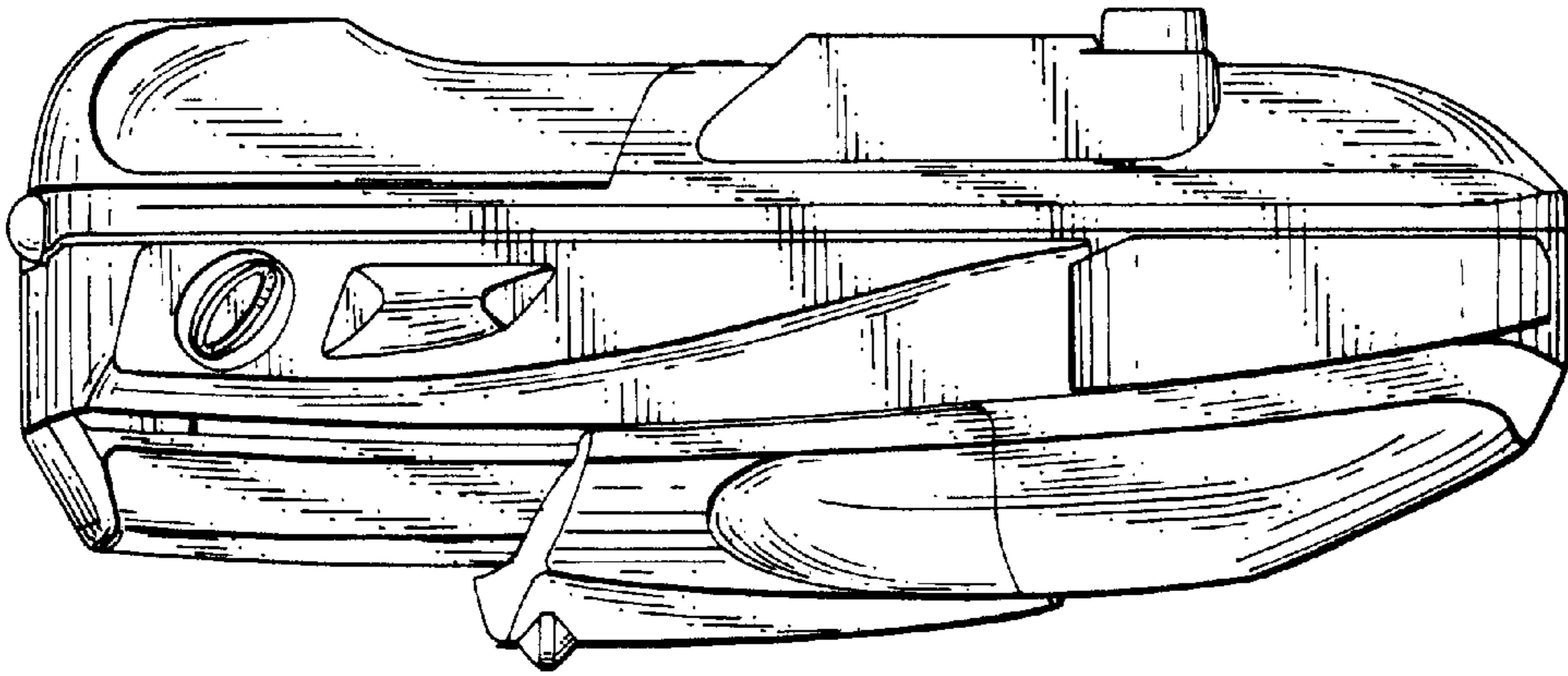


FIG. 6

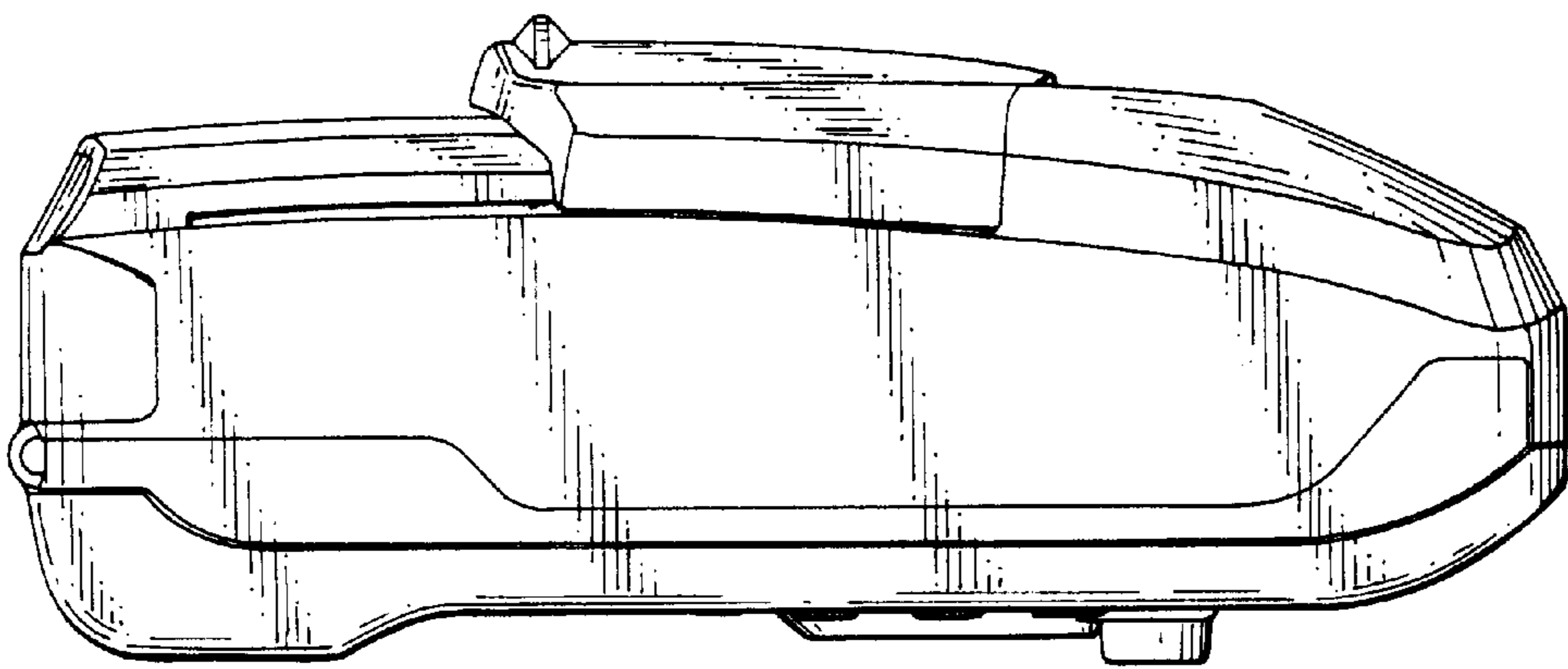


FIG. 7

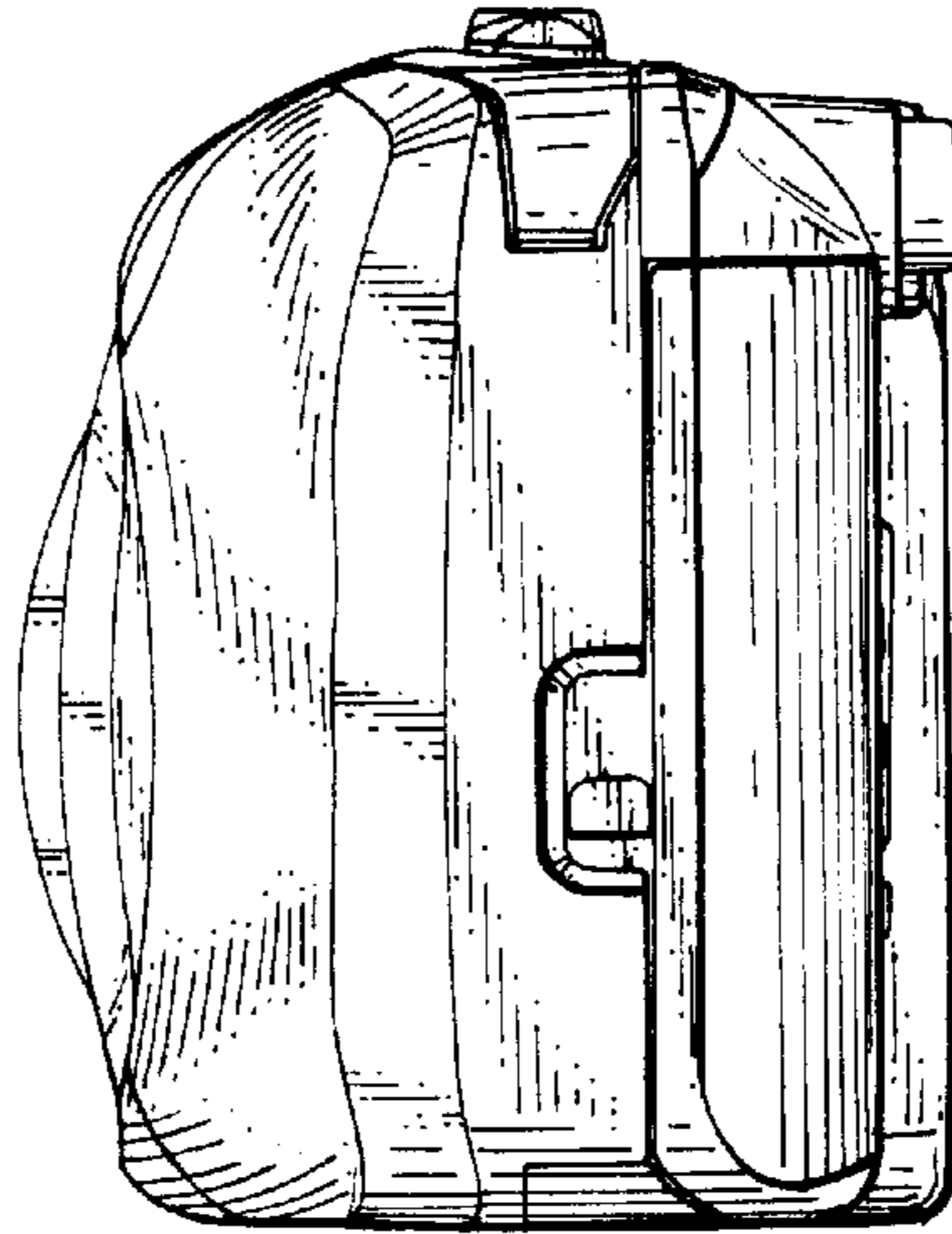


FIG. 8

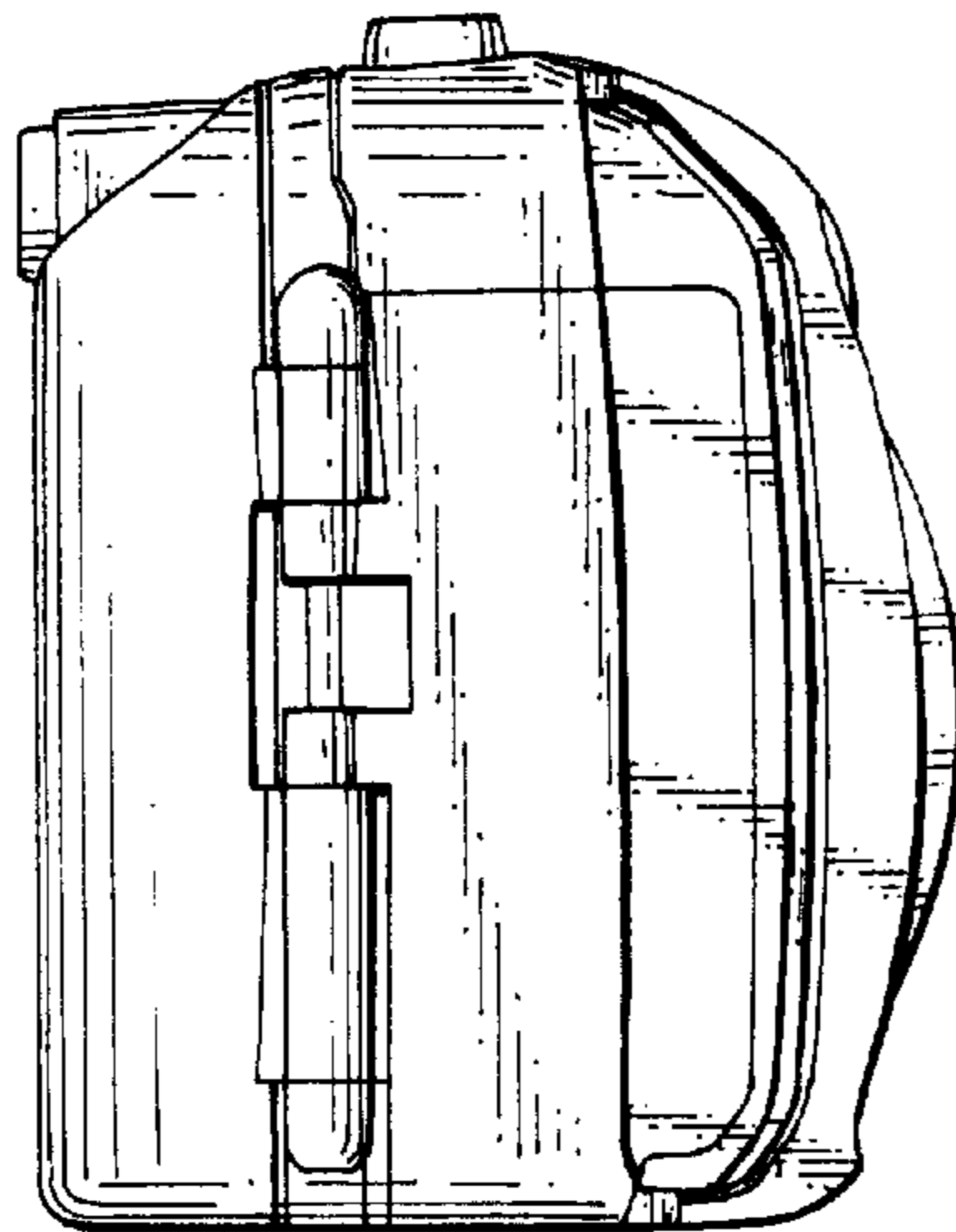


FIG. 9

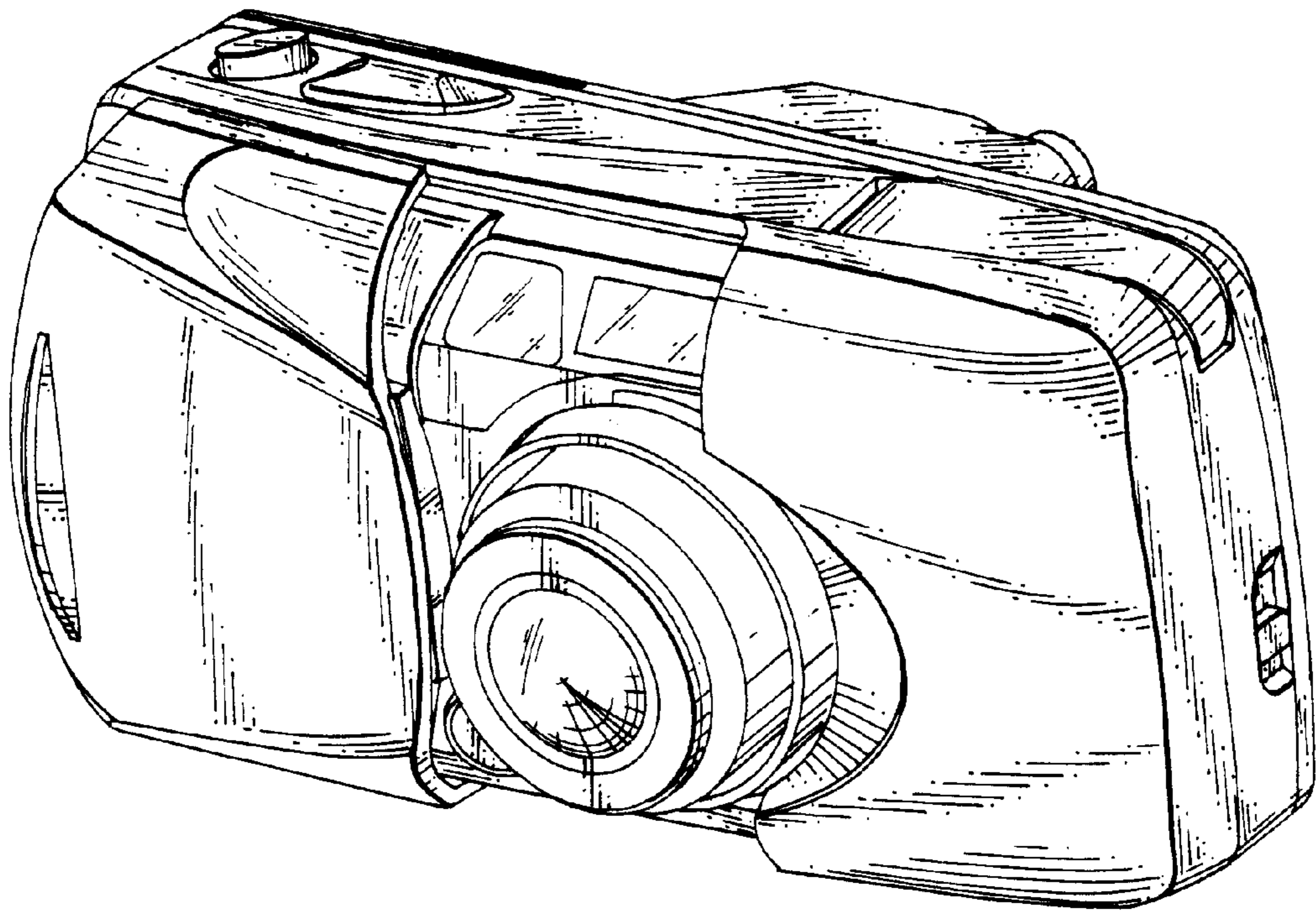


FIG. 10

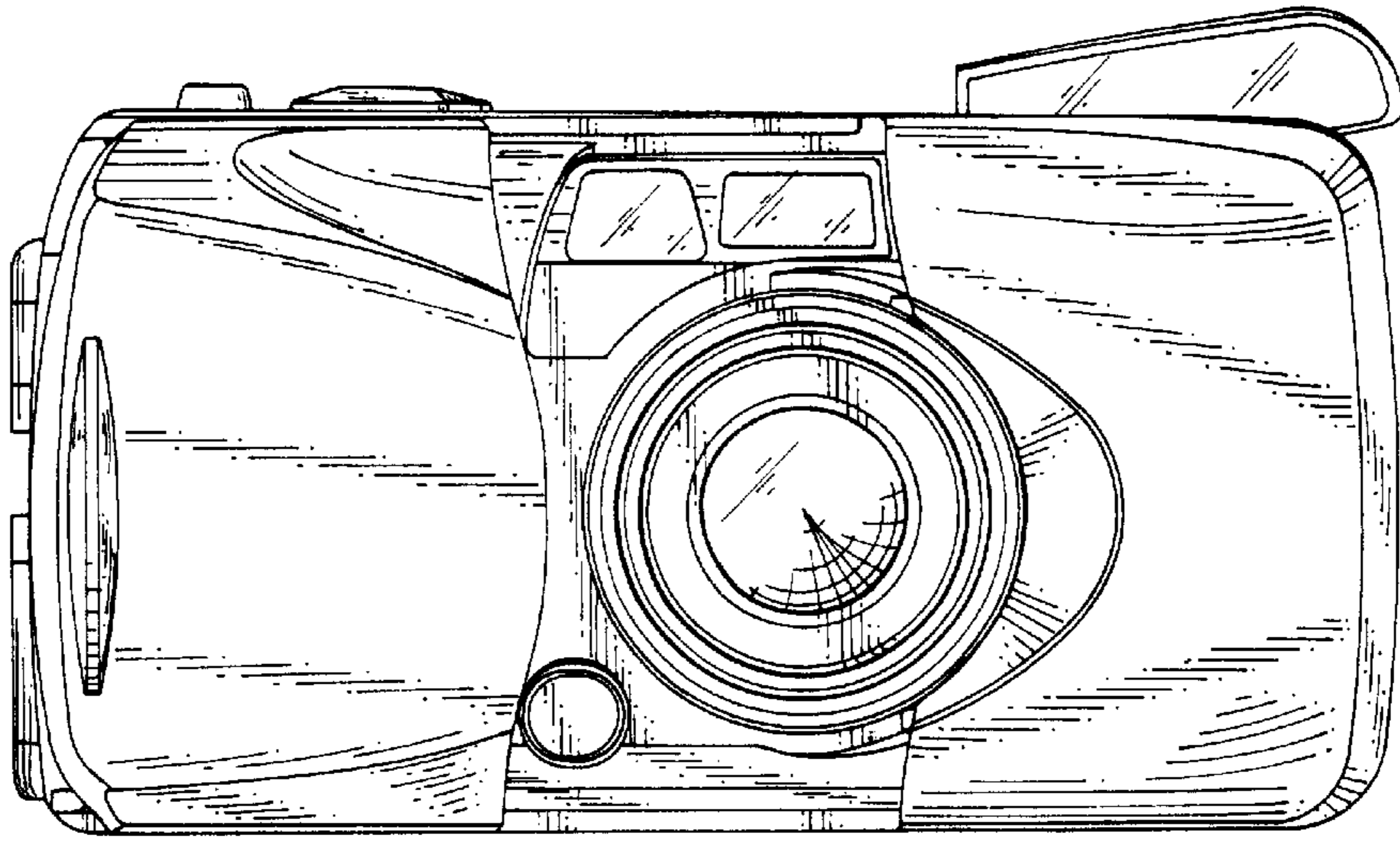


FIG. 11

