



US00D483785S

(12) **United States Design Patent**  
**Laituri**

(10) **Patent No.:** **US D483,785 S**

(45) **Date of Patent:** **\*\* Dec. 16, 2003**

(54) **CAMERA**

(75) **Inventor:** **David Laituri, Wayland, MA (US)**

(73) **Assignee:** **Polaroid Corporation, Waltham, MA (US)**

(\*\*) **Term:** **14 Years**

(21) **Appl. No.:** **29/172,875**

(22) **Filed:** **Dec. 18, 2002**

(51) **LOC (7) Cl.** ..... **16-01**

(52) **U.S. Cl.** ..... **D16/211**

(58) **Field of Search** ..... **D16/200-206,**  
**D16/208, 209, 211, 213, 218; 348/30-47,**  
**148, 535, 536-541**

(56) **References Cited**

**U.S. PATENT DOCUMENTS**

D279,574 S \* 7/1985 Conner et al. .... D16/211  
4,754,296 A \* 6/1988 Neely ..... 396/148

D315,569 S \* 3/1991 Betts et al. .... D16/211  
D321,358 S \* 11/1991 Betts ..... D16/211  
D389,165 S \* 1/1998 Betts et al. .... D16/211  
D470,877 S \* 2/2003 Laituri et al. .... D16/211

\* cited by examiner

*Primary Examiner*—Adir Aronovich

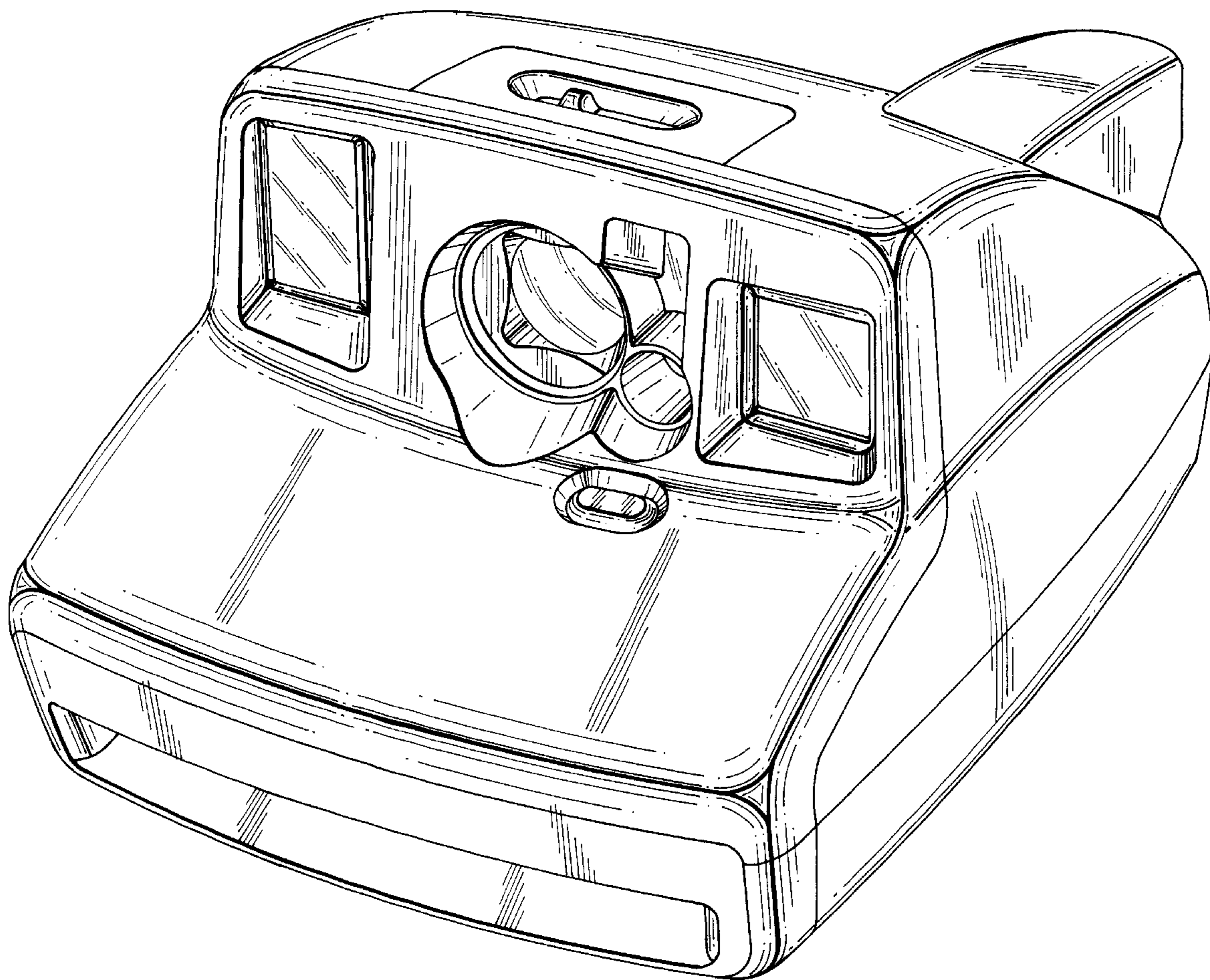
(57) **CLAIM**

The ornamental design for a camera, as described and shown.

**DESCRIPTION**

FIG. 1 is a front perspective view of an ornamental design of a camera;  
FIG. 2 is a front view thereof;  
FIG. 3 is a left side elevation view thereof;  
FIG. 4 is a right side elevation view thereof;  
FIG. 5 is a rear elevation view thereof;  
FIG. 6 is a top plan view thereof; and,  
FIG. 7 is a bottom view thereof.

**1 Claim, 7 Drawing Sheets**



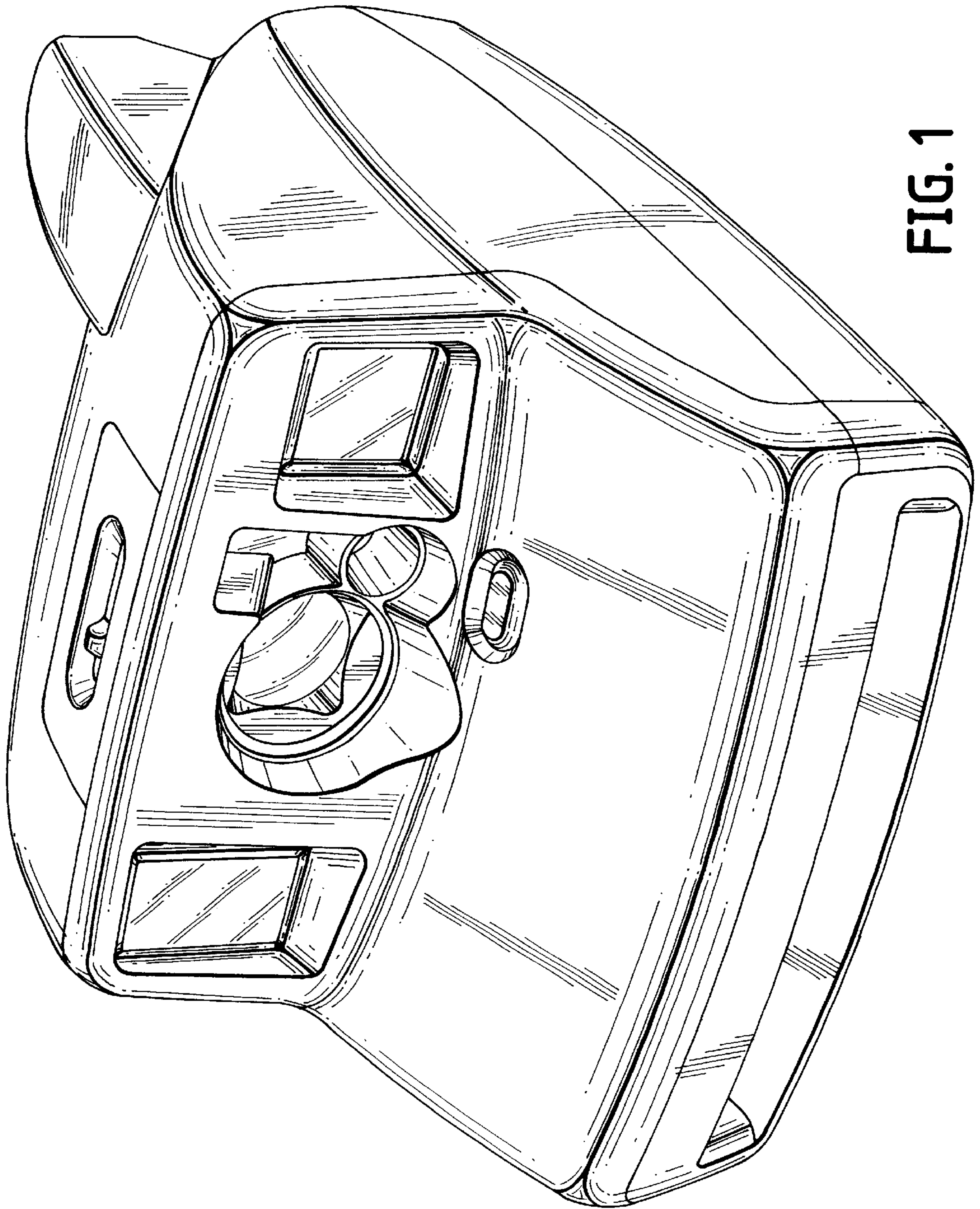


FIG. 1

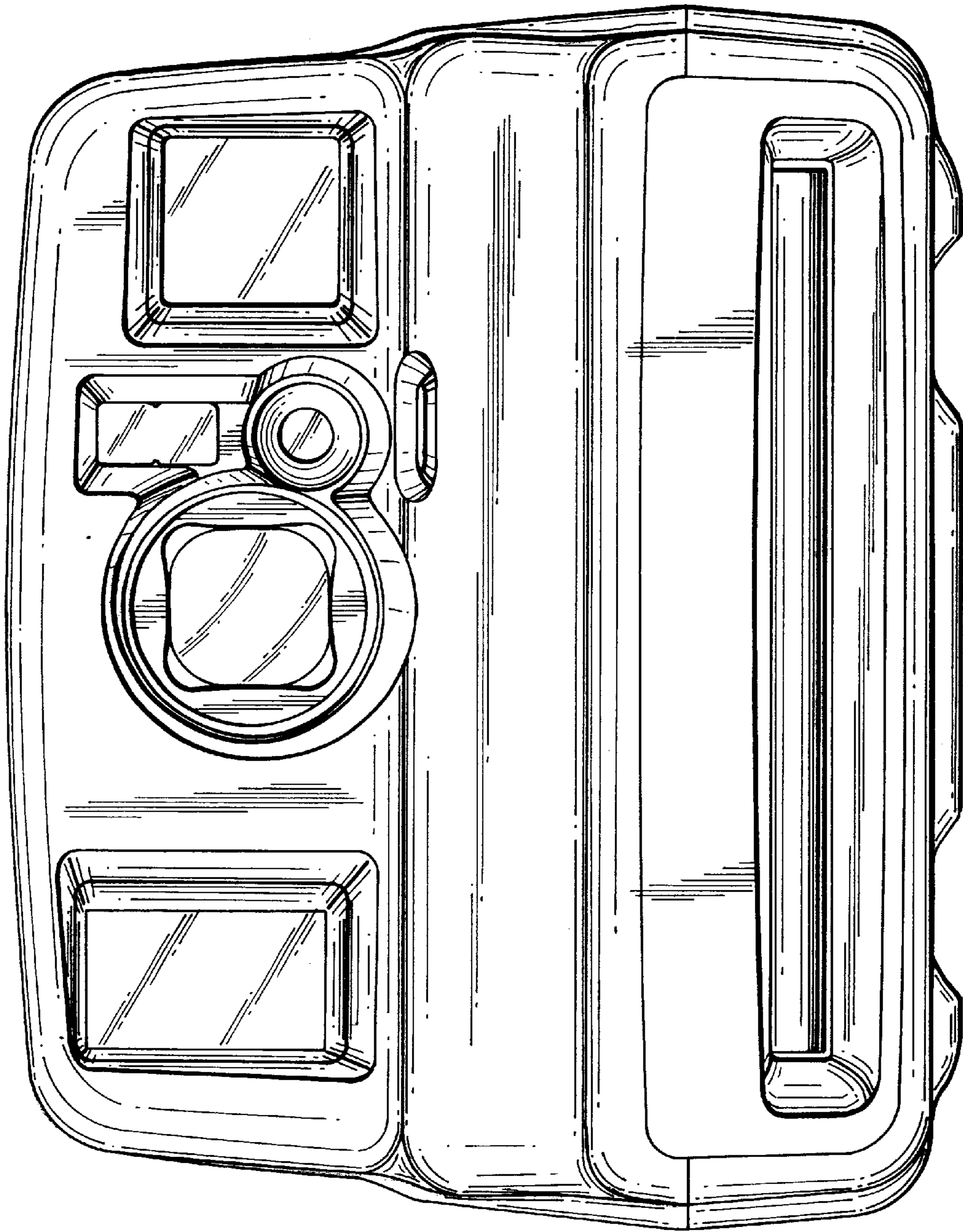


FIG. 2

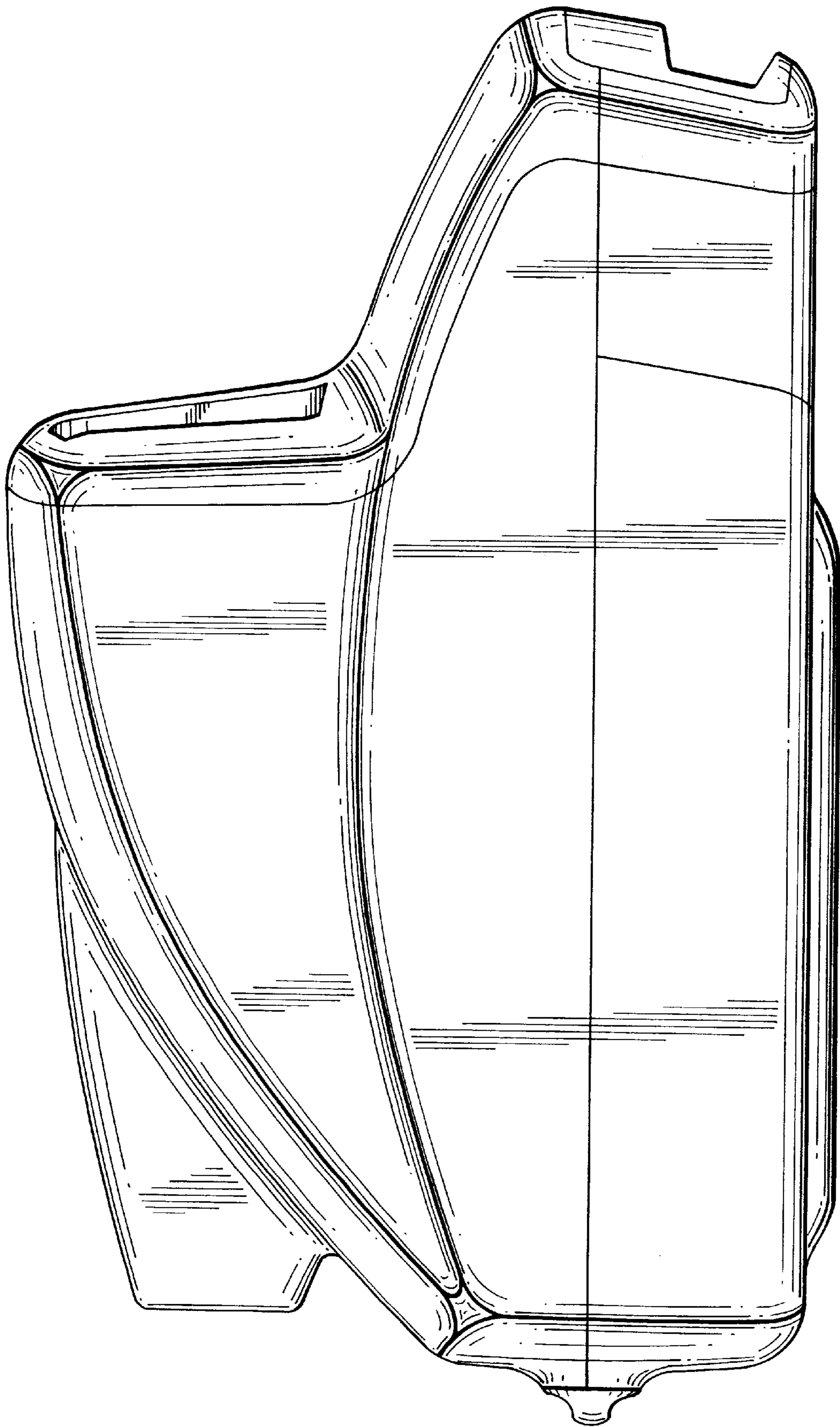


FIG. 3

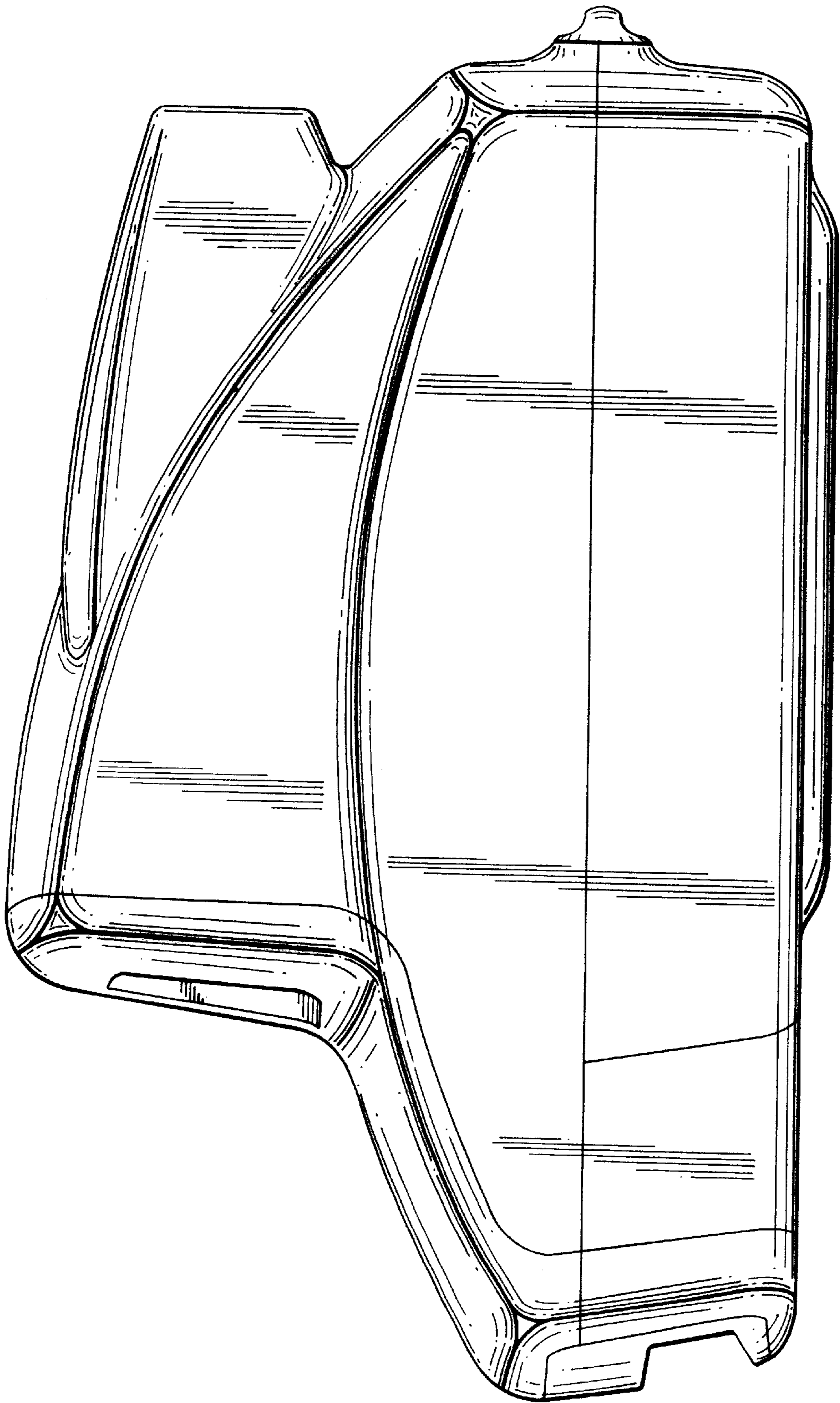


FIG. 4

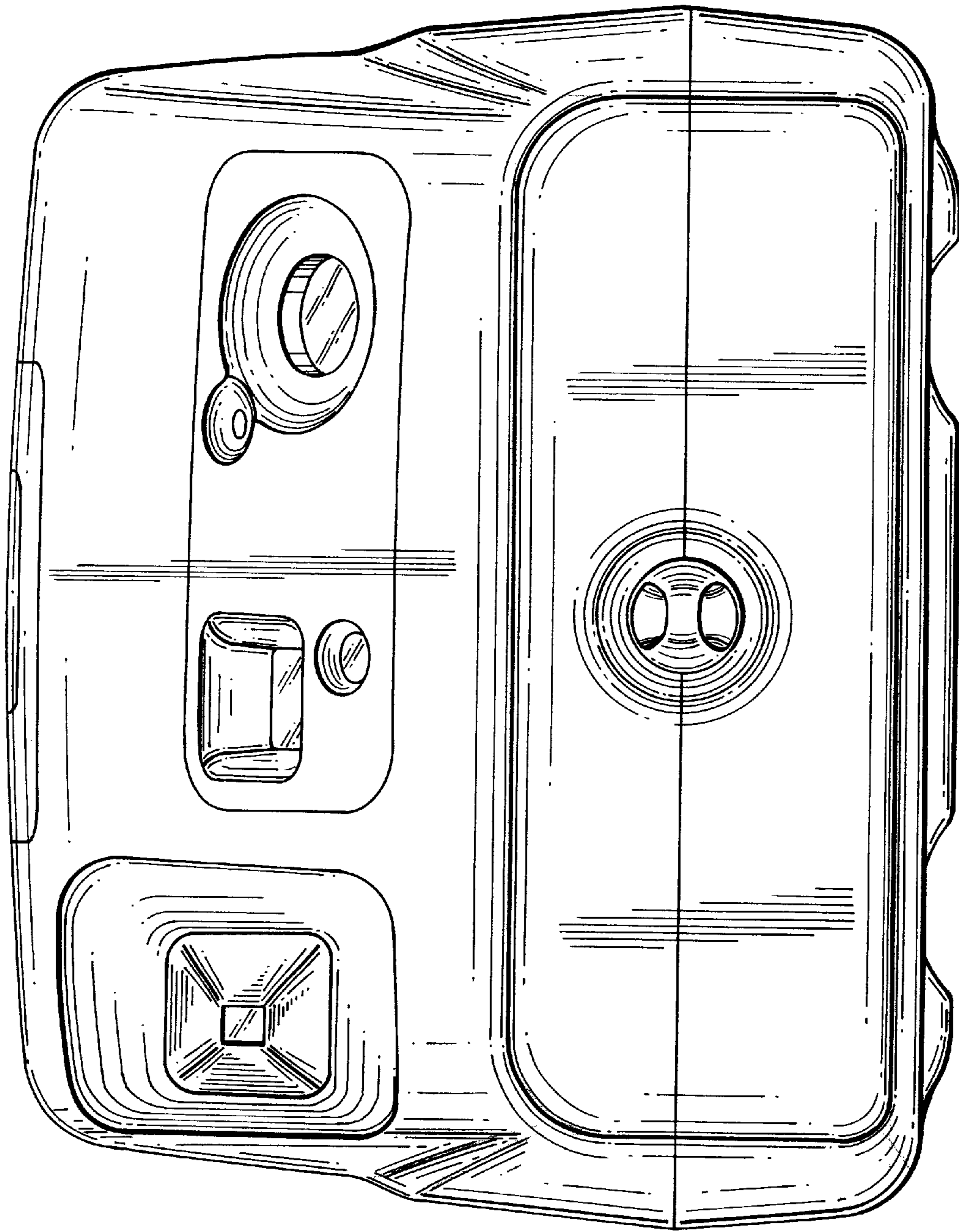


FIG. 5

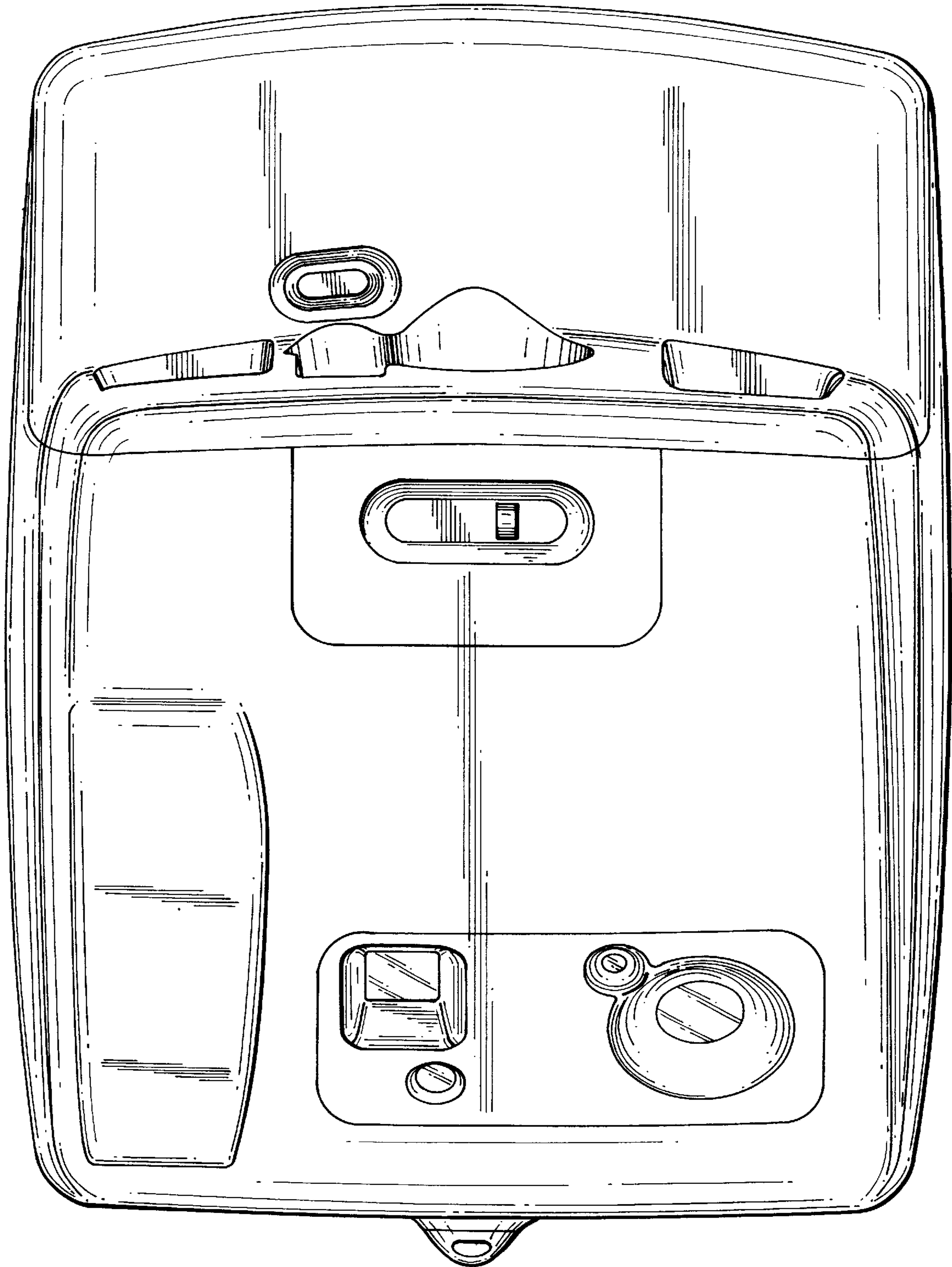


FIG. 6

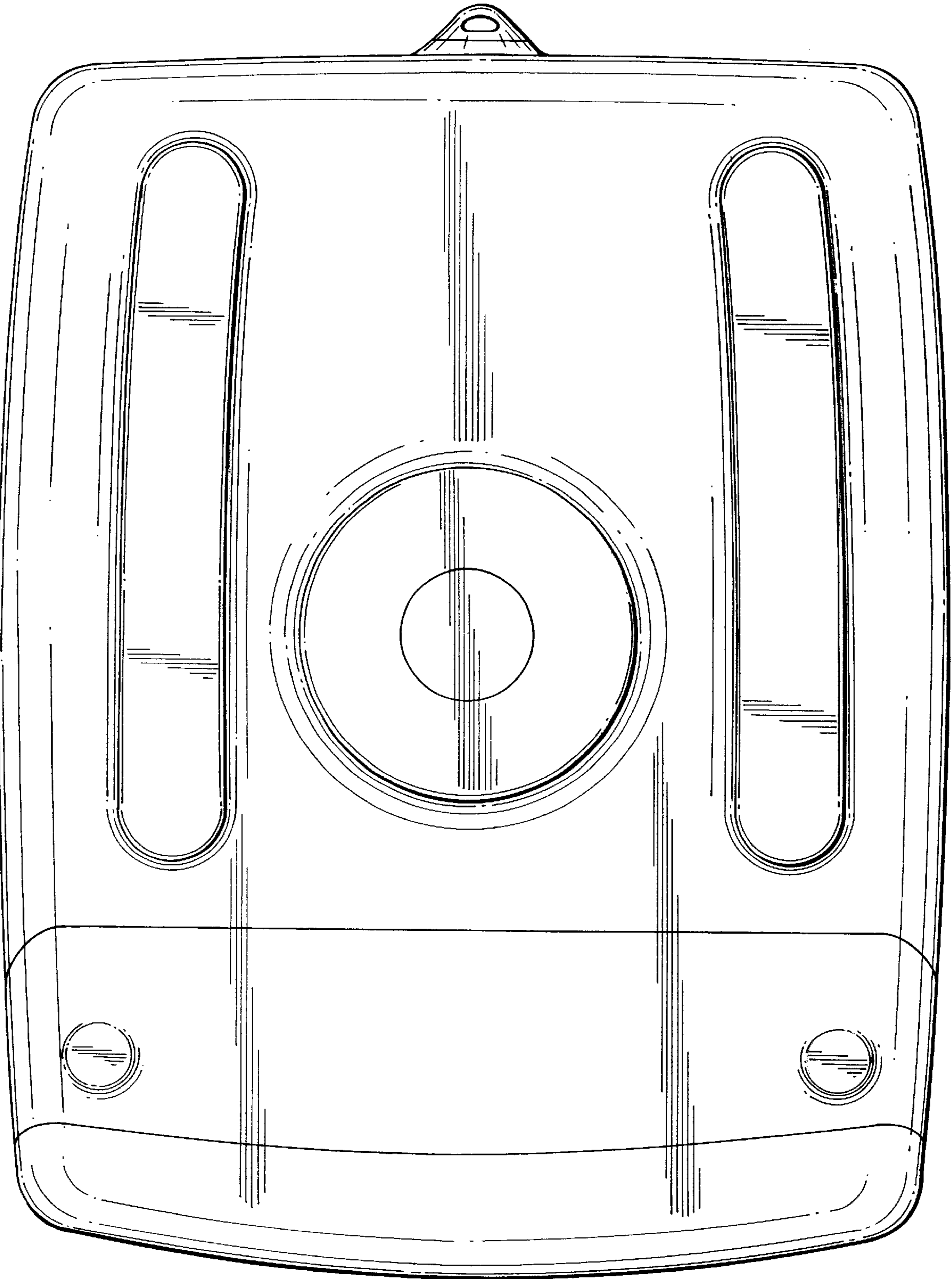


FIG. 7