



US00D483783S

(12) **United States Design Patent**
Yoshida

(10) **Patent No.:** **US D483,783 S**

(45) **Date of Patent:** **** Dec. 16, 2003**

(54) **ELECTRONIC CAMERA**

D475,074 S * 5/2003 Shiotani D16/209
D475,383 S * 6/2003 Omino D16/202

(75) Inventor: **Koji Yoshida**, Tokyo (JP)

* cited by examiner

(73) Assignee: **Fuji Photo Film Co., Ltd.**, Kanagawa (JP)

Primary Examiner—Adir Aronovich
(74) *Attorney, Agent, or Firm*—Young & Thompson

(**) Term: **14 Years**

(57) **CLAIM**

(21) Appl. No.: **29/176,222**

The ornamental design for an electronic camera, as shown and described.

(22) Filed: **Feb. 21, 2003**

(30) **Foreign Application Priority Data**

DESCRIPTION

Aug. 26, 2002 (JP) 2002-022793

(51) **LOC (7) Cl.** **16-01**

(52) **U.S. Cl.** **D16/202; D16/209**

(58) **Field of Search** D16/200-204,
D16/208, 209, 218; 348/373-376; 396/535-541

FIG. 1 is a top, front and side perspective view of an electronic camera showing my new design;
FIG. 2 is a front elevational view thereof;
FIG. 3 is a rear elevational view thereof;
FIG. 4 is a top plan view thereof;
FIG. 5 is a bottom plan view thereof;
FIG. 6 is a side elevational view thereof from the left of FIG. 2;
FIG. 7 is a side elevational view thereof from the right of FIG. 2; and,
FIG. 8 is a view similar to FIG. 1 but showing the parts in a different position.

(56) **References Cited**

U.S. PATENT DOCUMENTS

D431,583 S * 10/2000 Matsuda D16/202
D432,152 S * 10/2000 Watanabe D16/209
D453,527 S 2/2002 Isozaki D16/209
D462,706 S * 9/2002 Hamamura D16/202

1 Claim, 4 Drawing Sheets

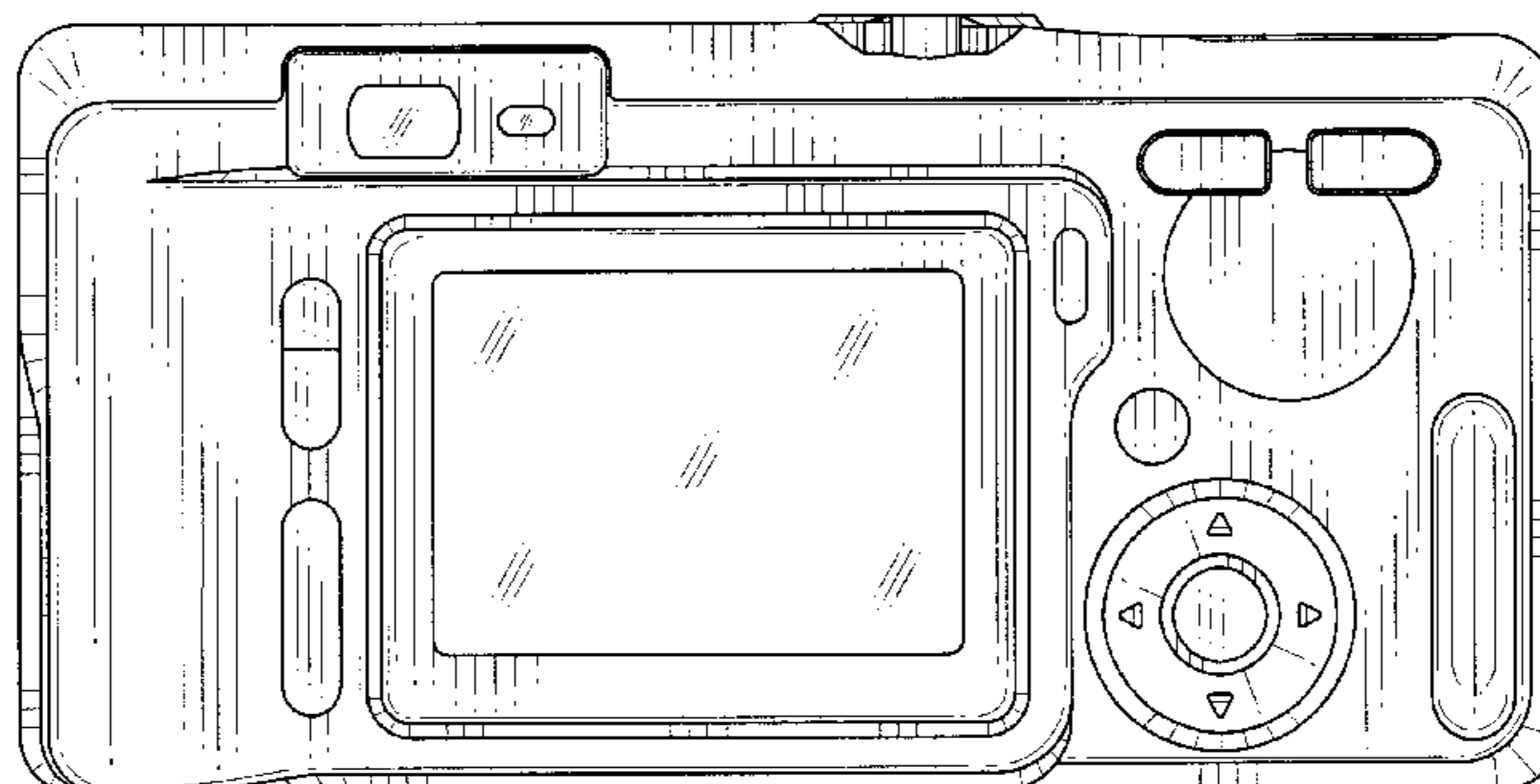
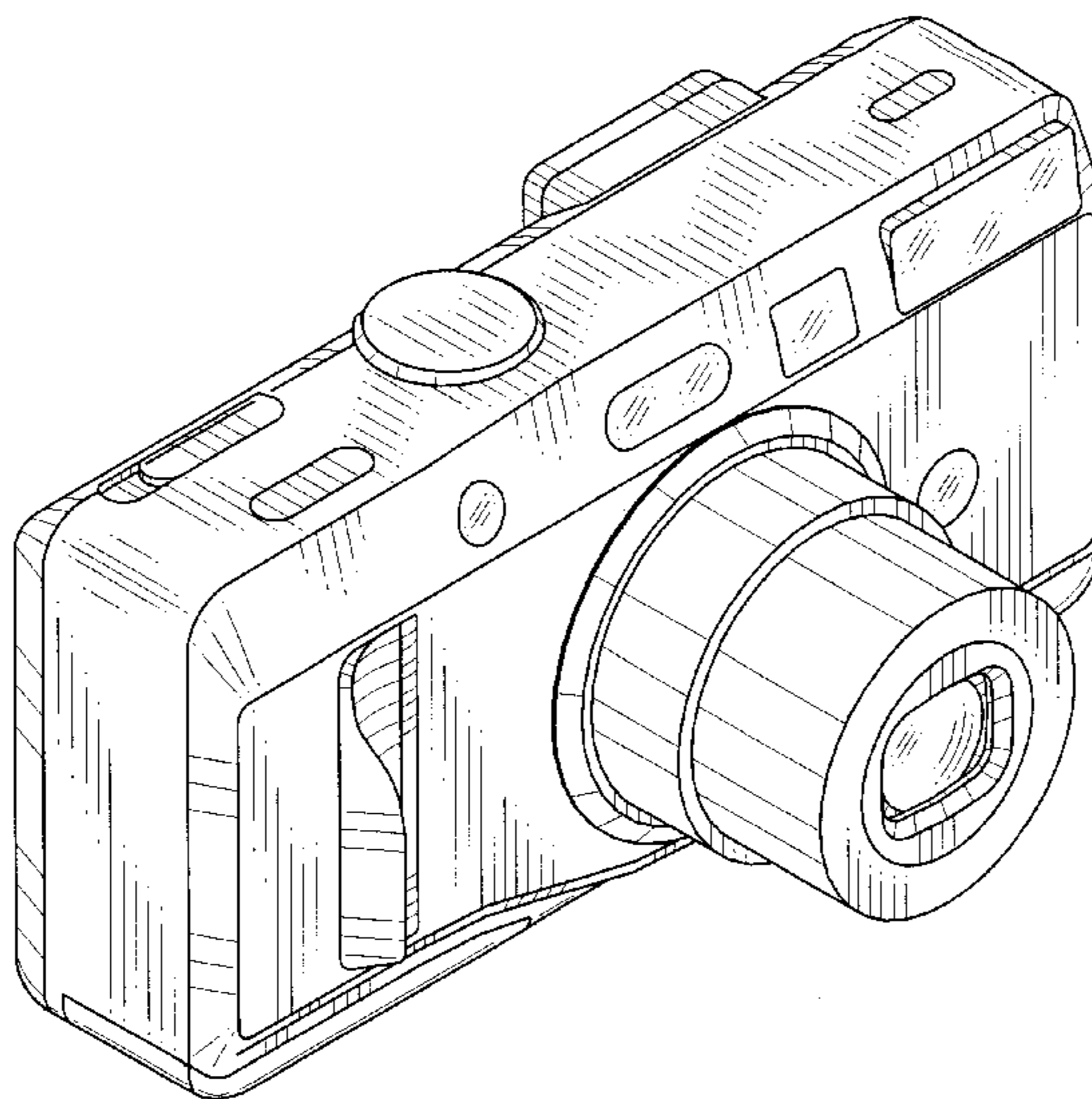


Fig. 1

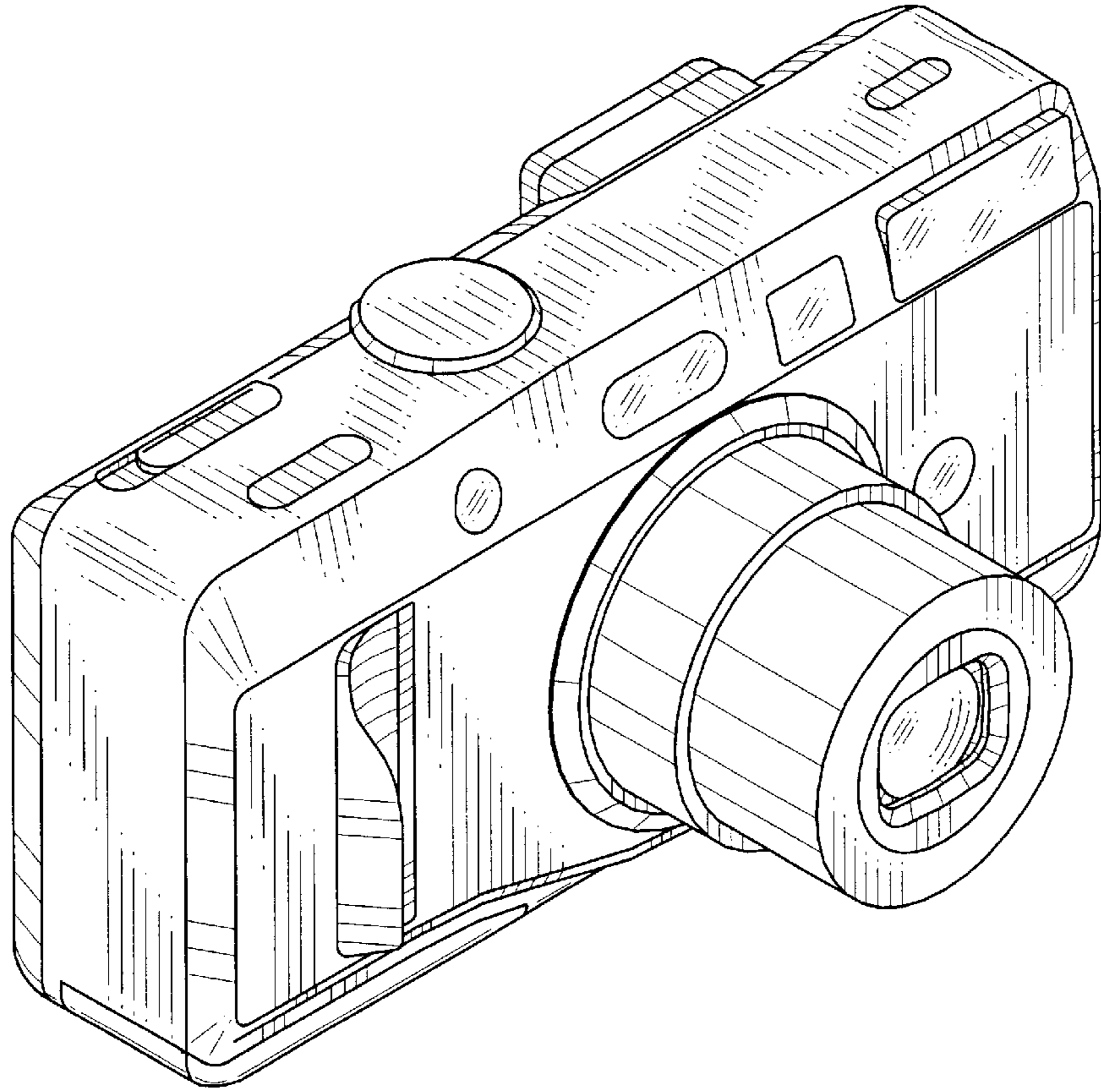


Fig. 2

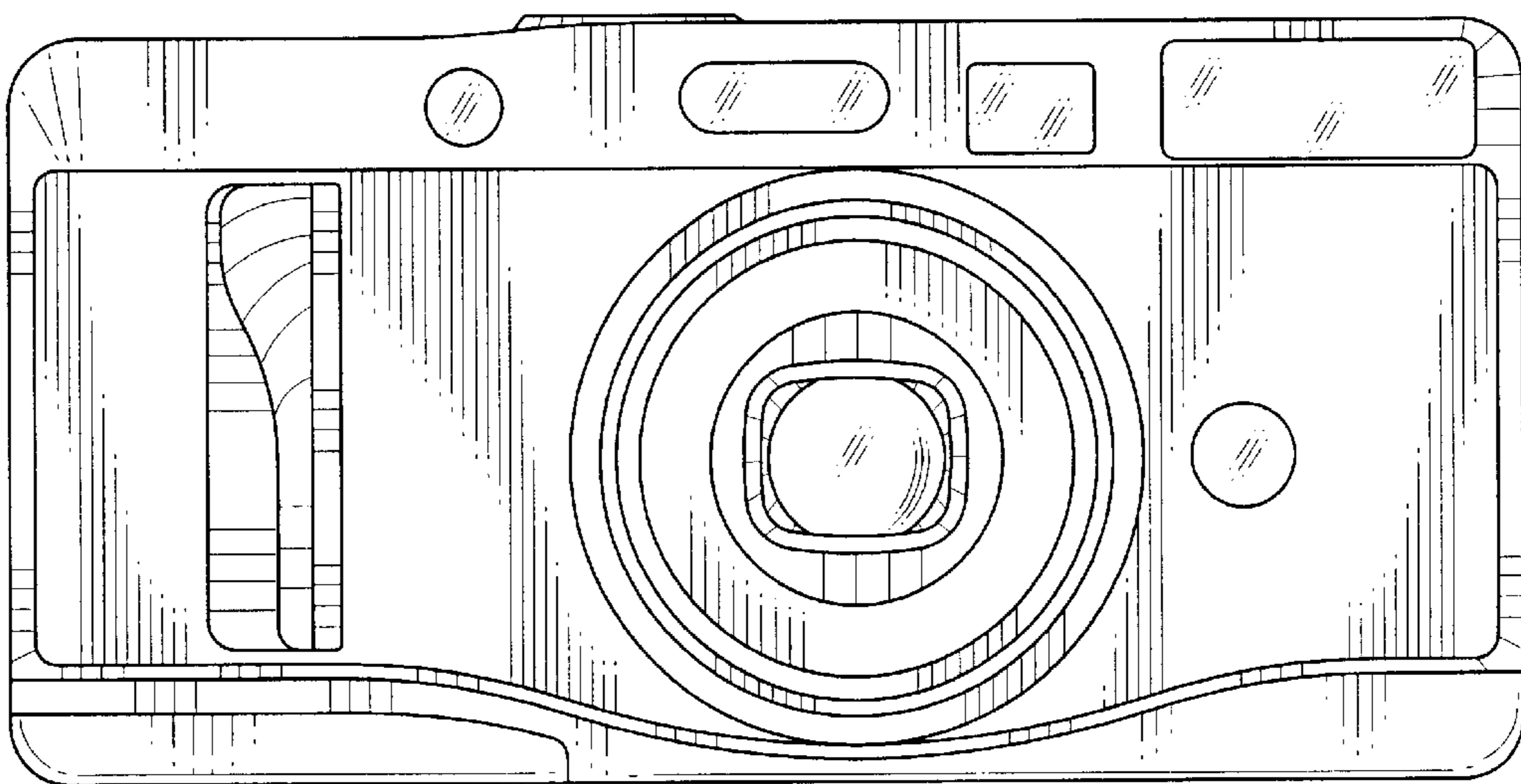


Fig.3

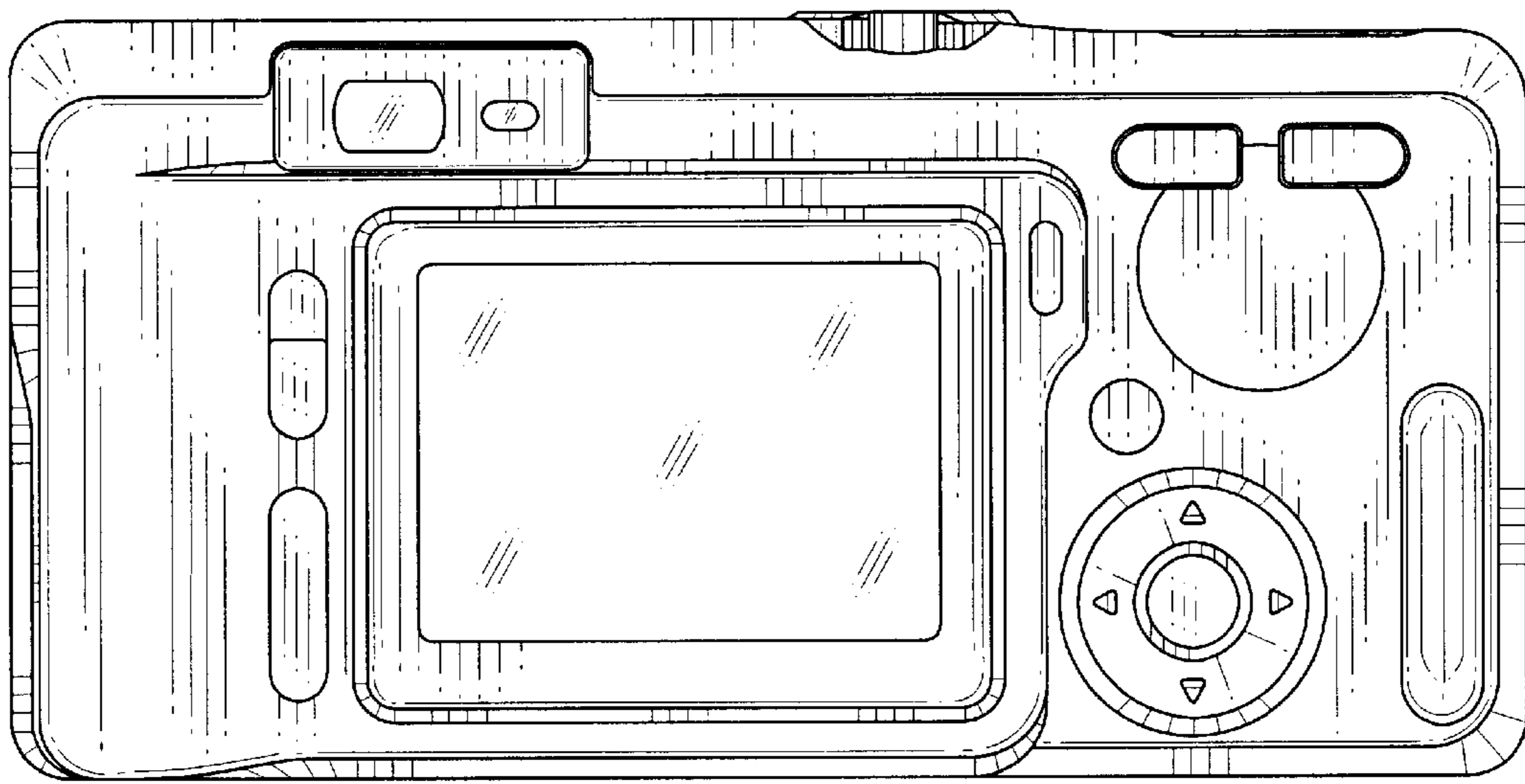


Fig.4

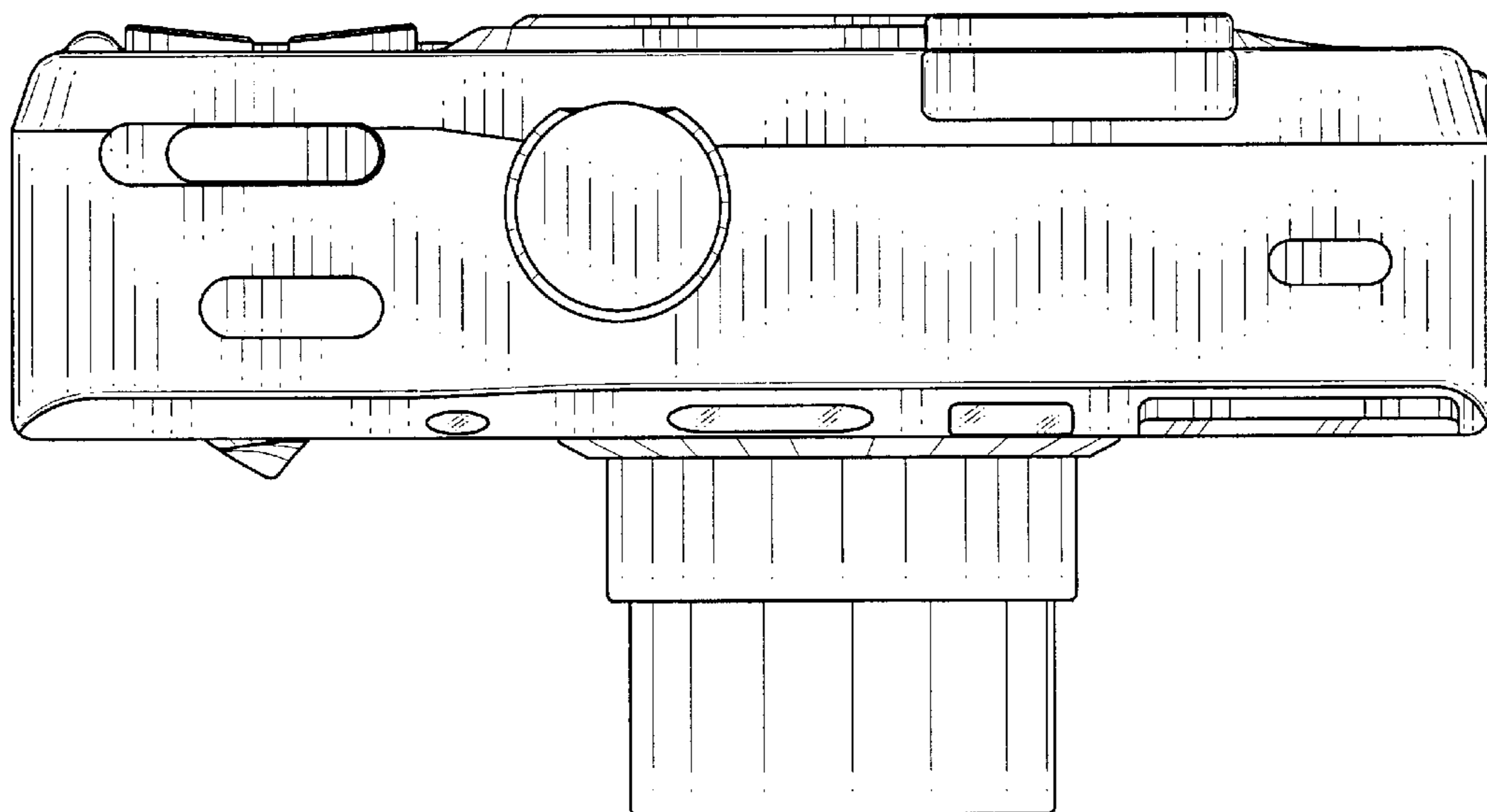


Fig.5

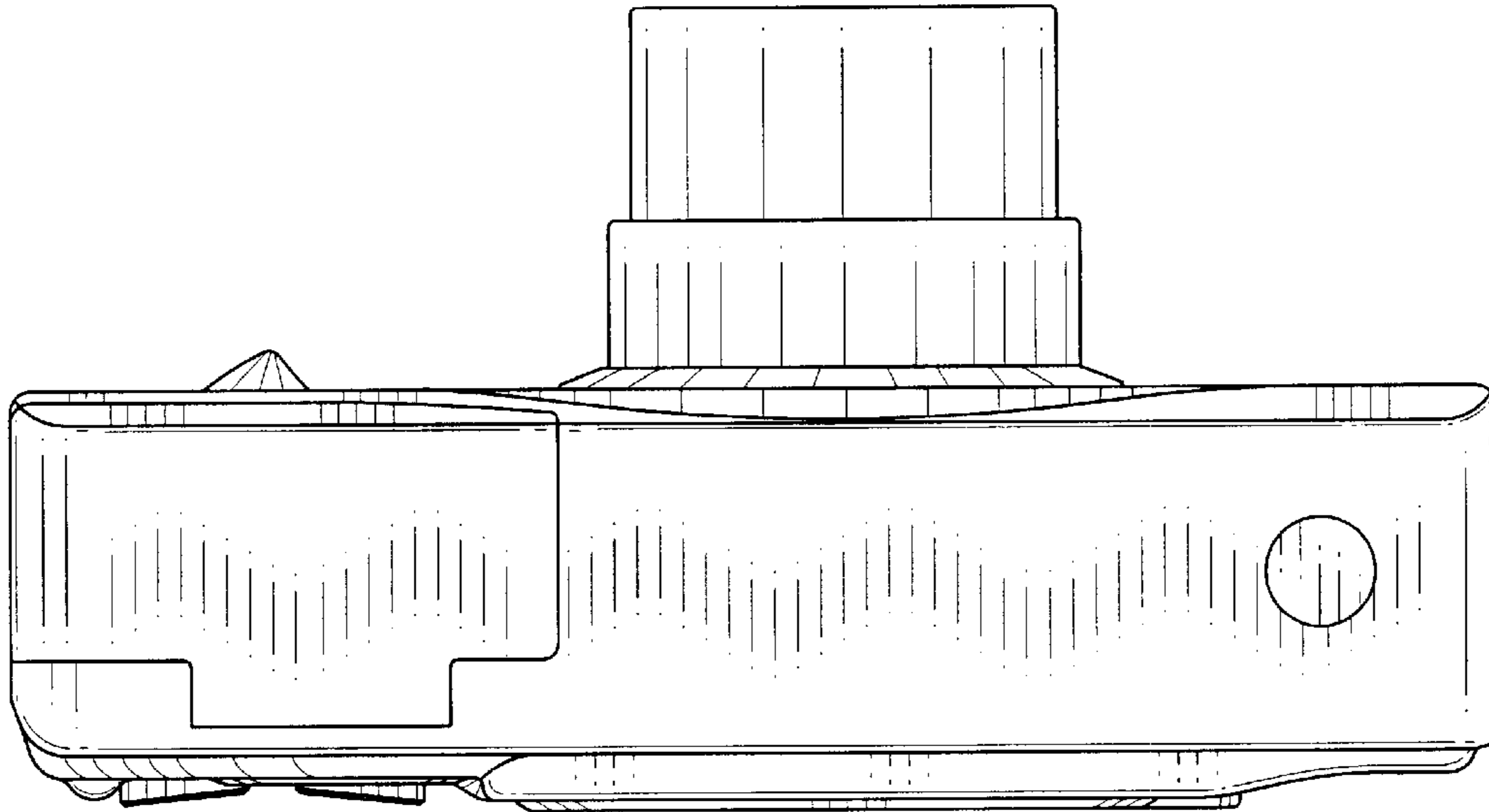


Fig.6

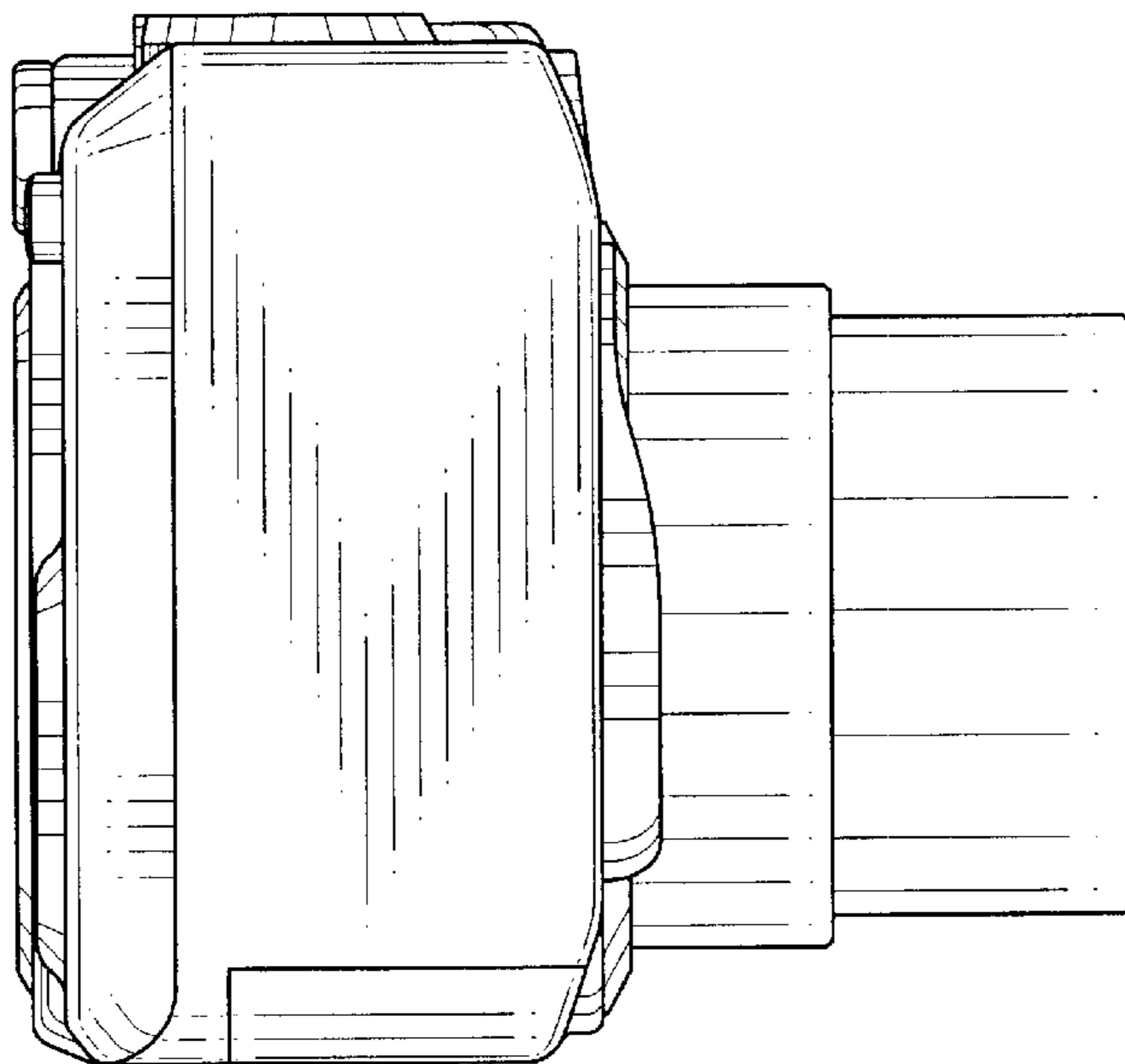


Fig.7

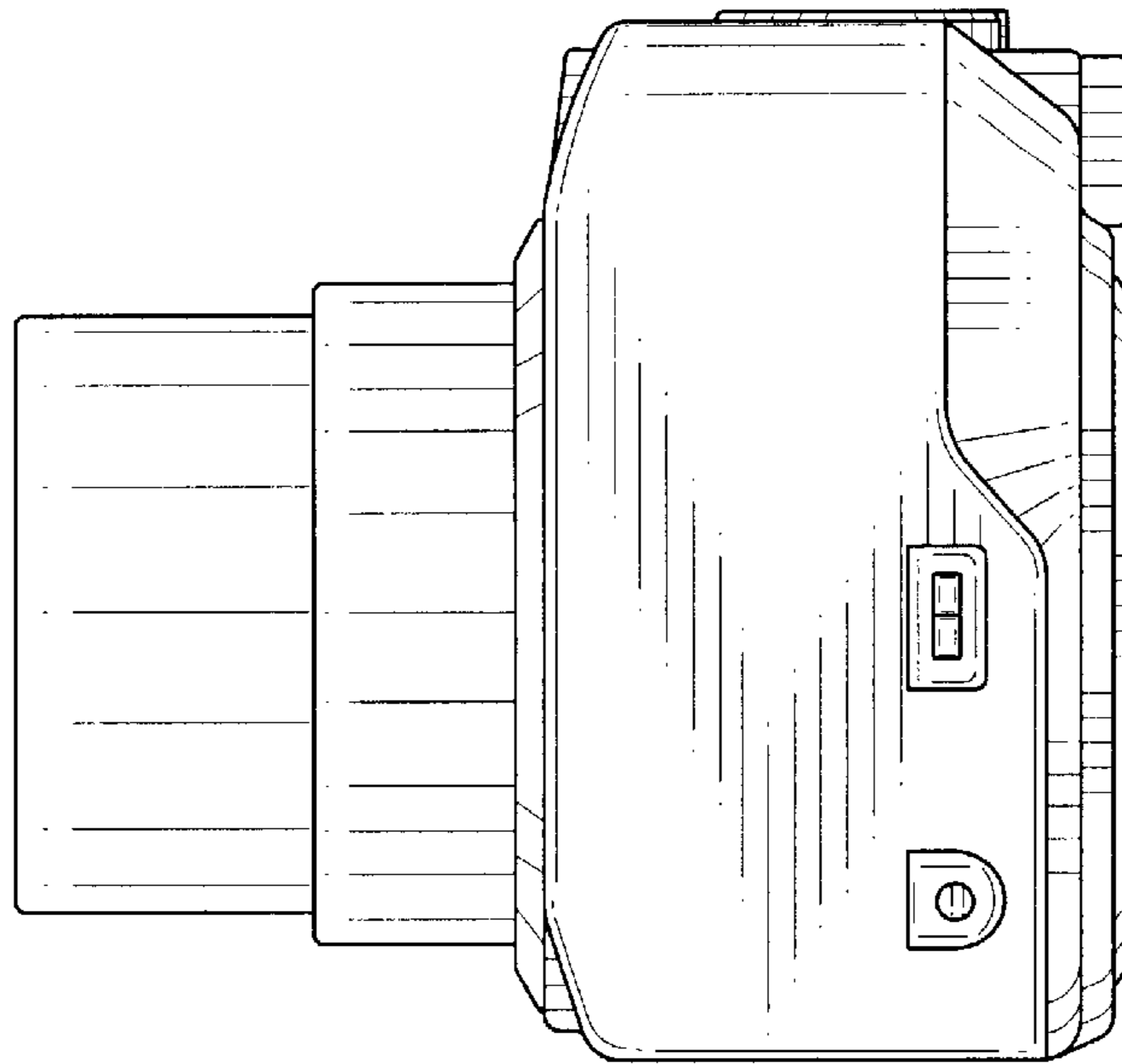


Fig.8

