



US00D483781S

(12) **United States Design Patent**
Granaas et al.

(10) **Patent No.:** **US D483,781 S**

(45) **Date of Patent:** **** Dec. 16, 2003**

(54) **VIDEO CAMERA WITH VIDEO TAPE RECORDER**

D453,349 S 2/2002 Miyazawa D16/202
6,434,325 B1 * 8/2002 Noda et al. 358/906

(75) Inventors: **Aage Ryoichi Granaas**, Redwood City, CA (US); **Yoshihiro Miyazawa**, Tokyo (JP)

* cited by examiner

(73) Assignee: **Canon Kabushiki Kaisha**, Tokyo (JP)

Primary Examiner—Adir Aronovich
(74) *Attorney, Agent, or Firm*—Fitzpatrick, Cella, Harper & Scinto

(**) Term: **14 Years**

(57) **CLAIM**

(21) Appl. No.: **29/162,490**

The ornamental design for a video camera with video tape recorder, as shown and described.

(22) Filed: **Jun. 18, 2002**

DESCRIPTION

(51) **LOC (7) Cl.** **16-01**

(52) **U.S. Cl.** **D16/202**

(58) **Field of Search** D16/200–206;
348/373–376; 358/906, 909.1; 352/242,
243

FIG. 1 is a front view of a video camera with video tape recorder showing our new design;
FIG. 2 is a rear view thereof;
FIG. 3 is a top plan view thereof;
FIG. 4 is a bottom plan view thereof;
FIG. 5 is a left side view thereof;
FIG. 6 is a right side view thereof;
FIG. 7 is a perspective view thereof;
FIG. 8 is a reference perspective view thereof where grip belt is attached; and,
FIG. 9 is a reference perspective view thereof where LC display is opened.

(56) **References Cited**

U.S. PATENT DOCUMENTS

D404,748 S	*	1/1999	Miyashita	D16/202
D408,427 S	*	4/1999	Saeki et al.	D16/202
D428,033 S	*	7/2000	Saeki et al.	D16/202
D431,041 S	*	9/2000	Sekine	D16/202
D438,552 S	*	3/2001	Sumita	D16/202
D453,348 S		2/2002	Miyazawa	D16/202

1 Claim, 8 Drawing Sheets

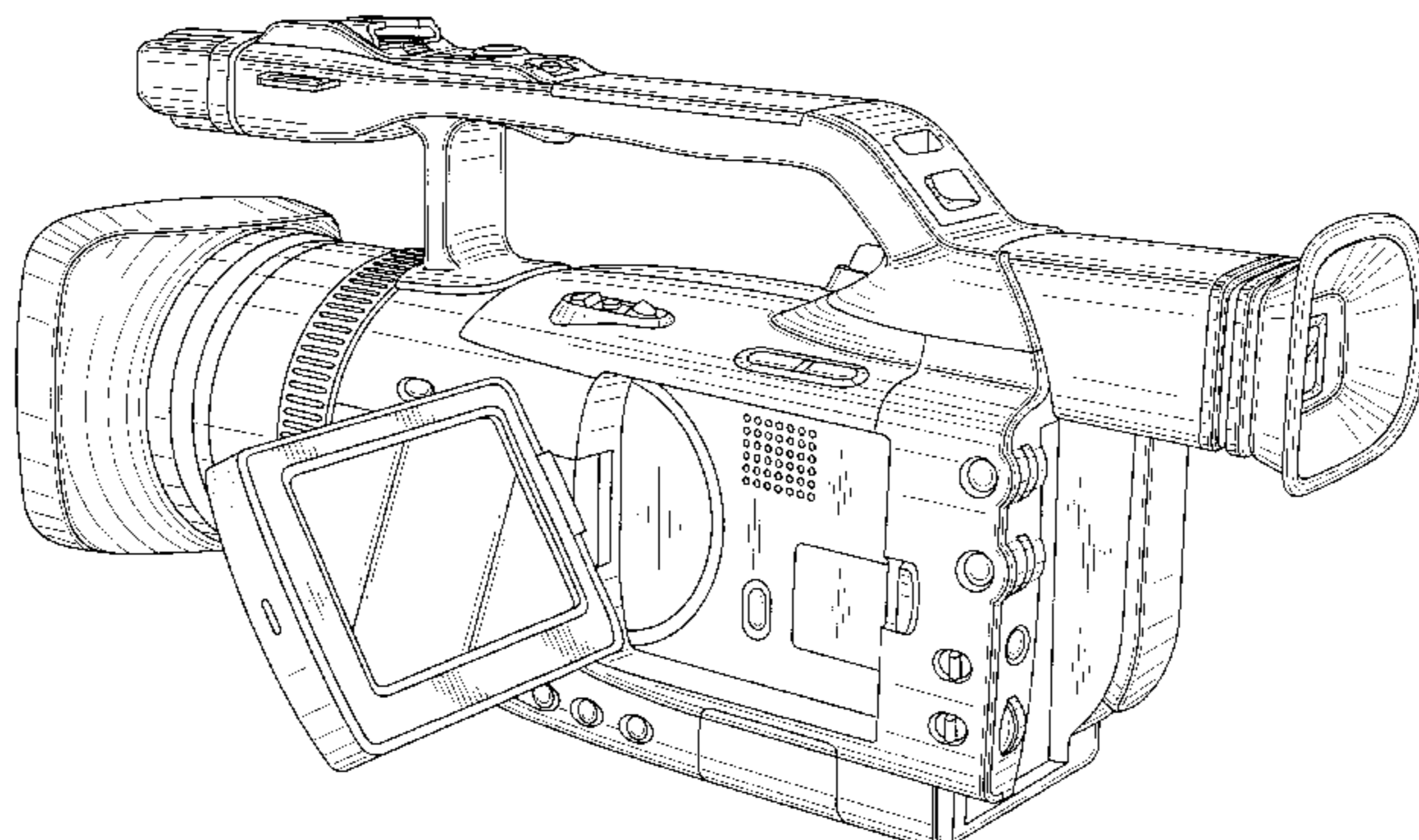
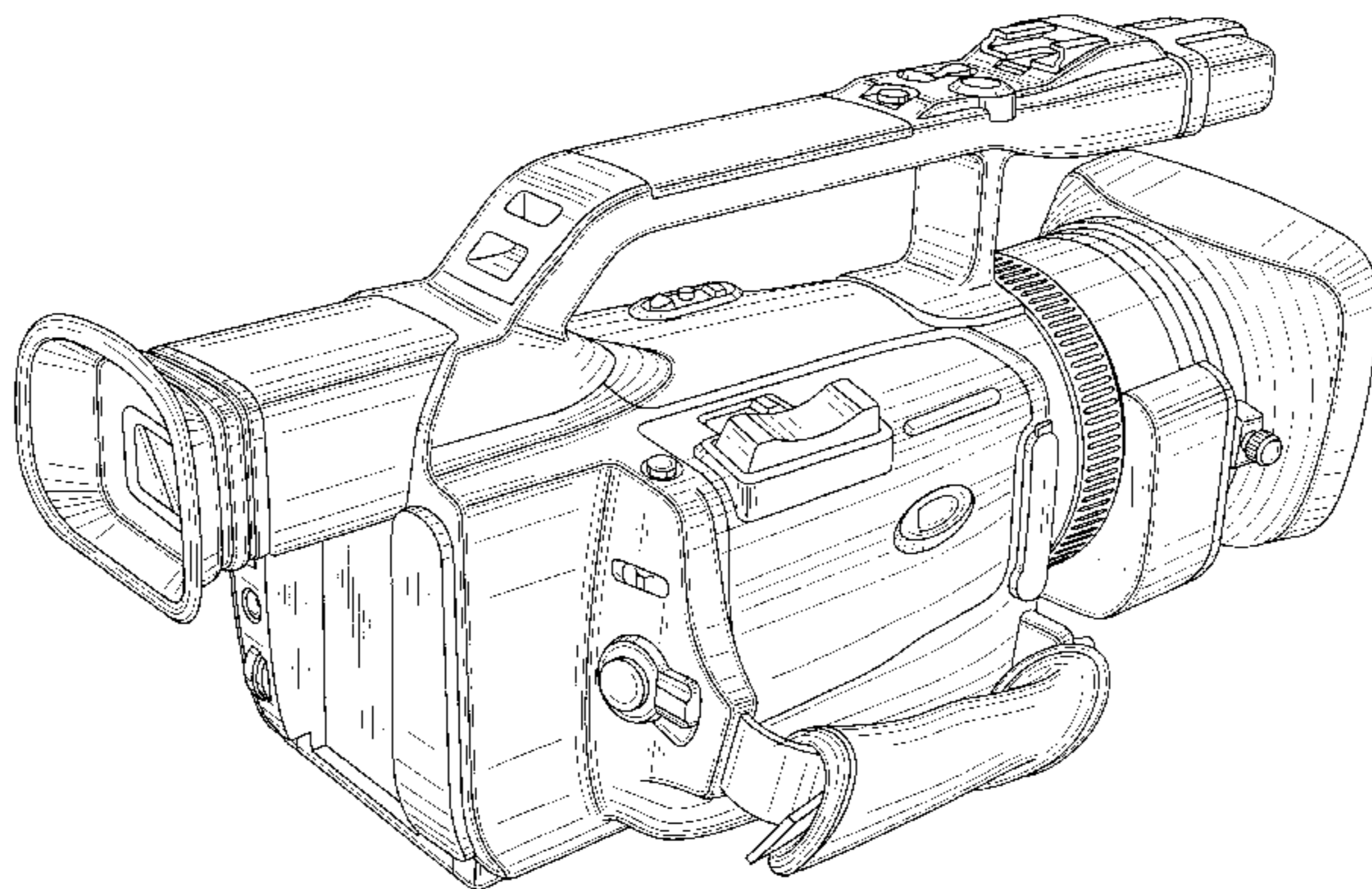


FIG. 1

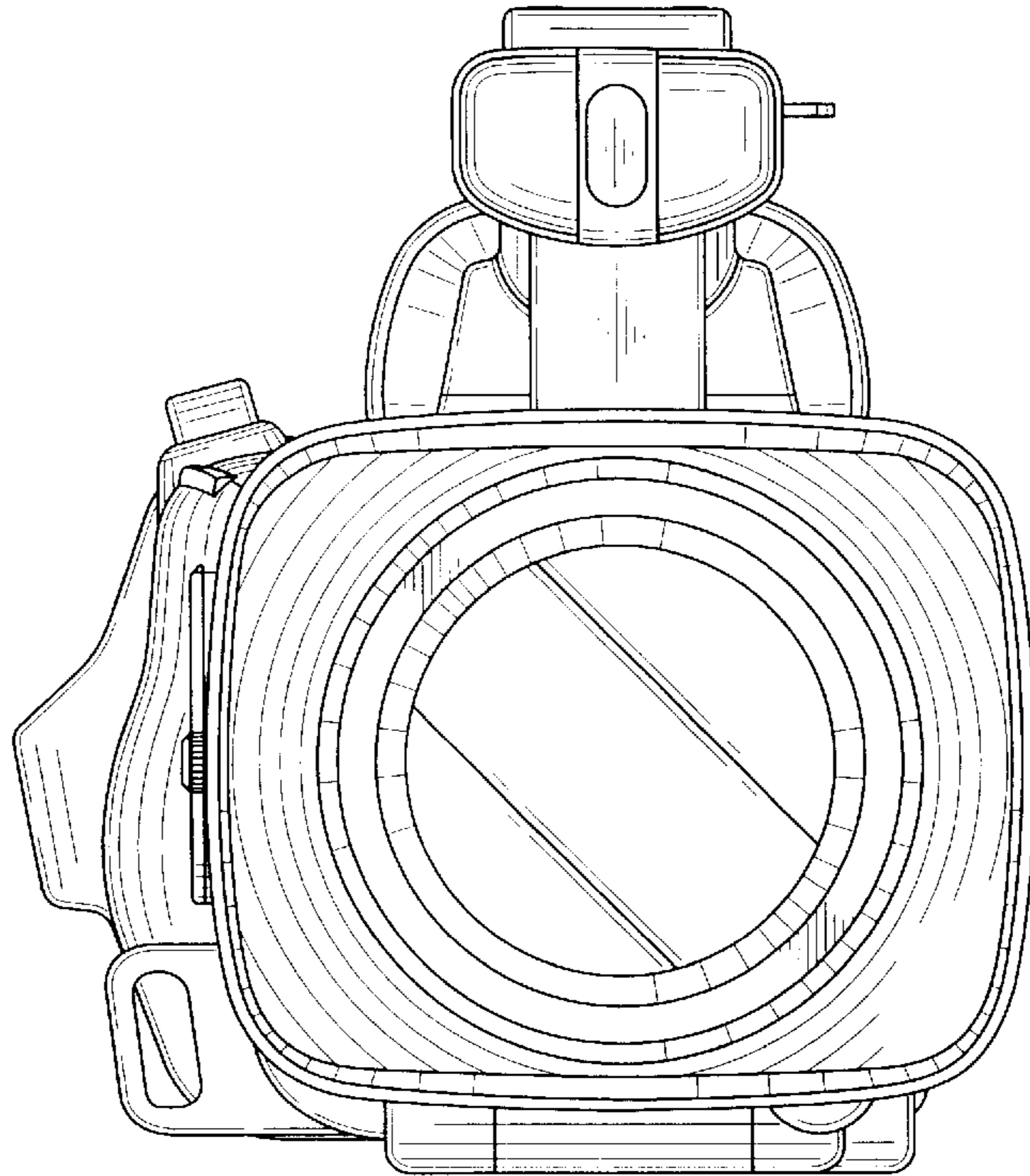


FIG. 2

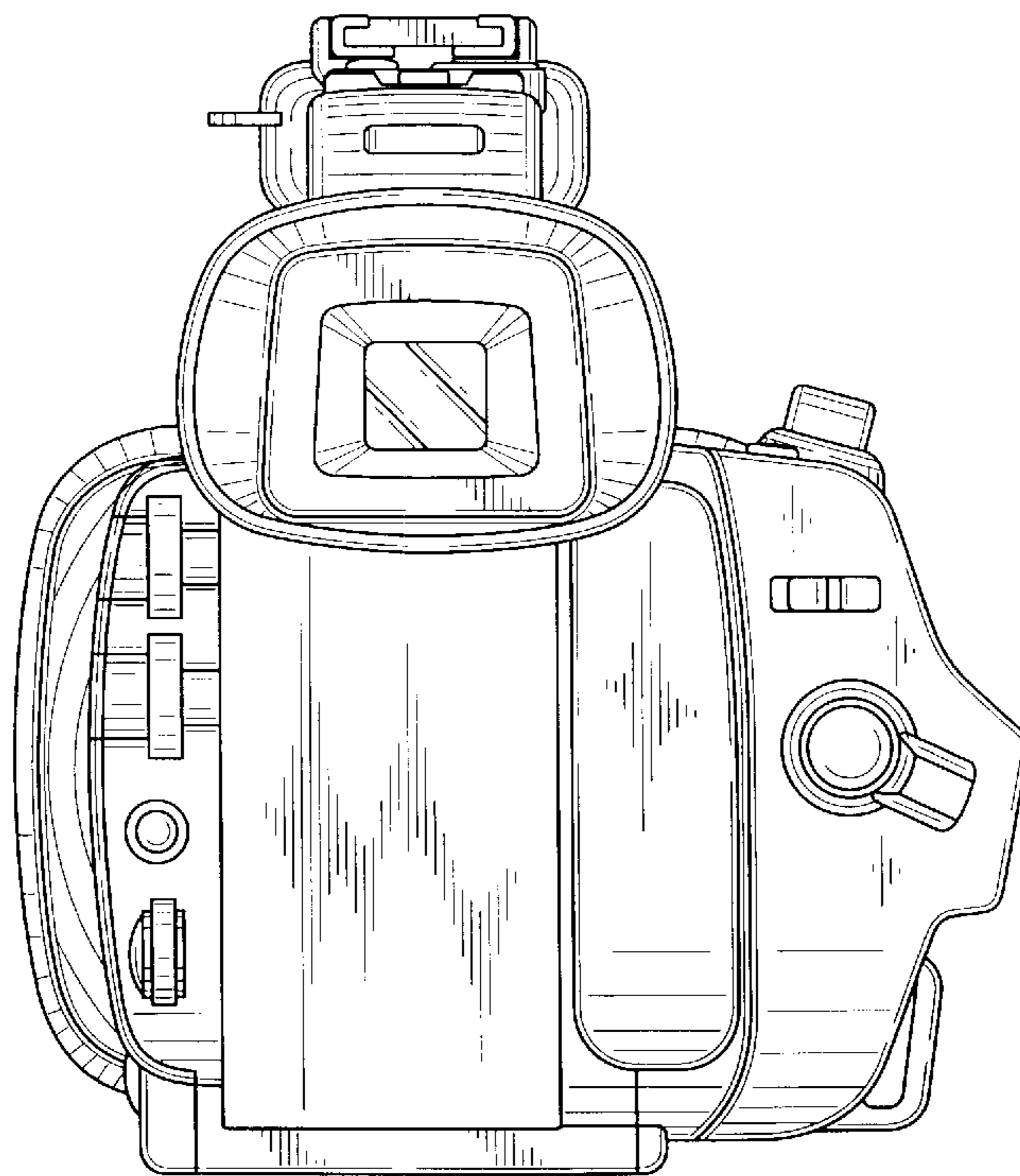


FIG. 3

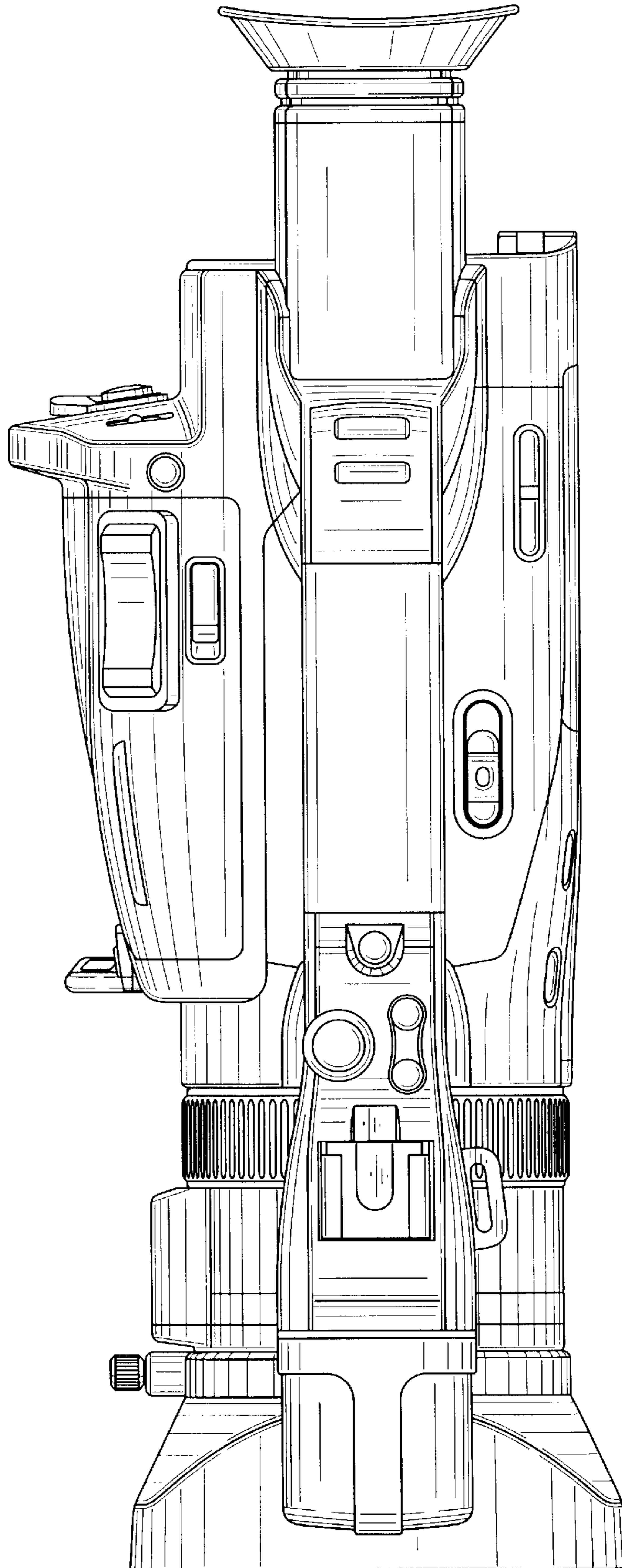


FIG. 4

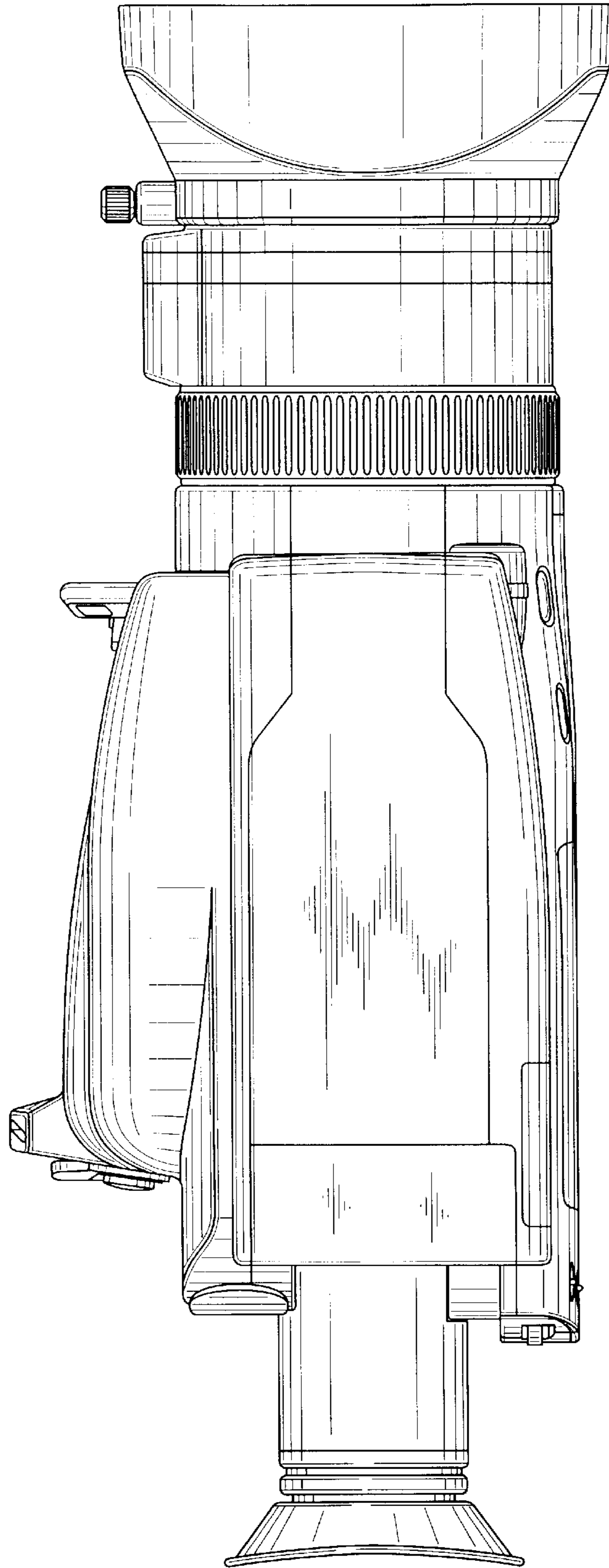


FIG. 5

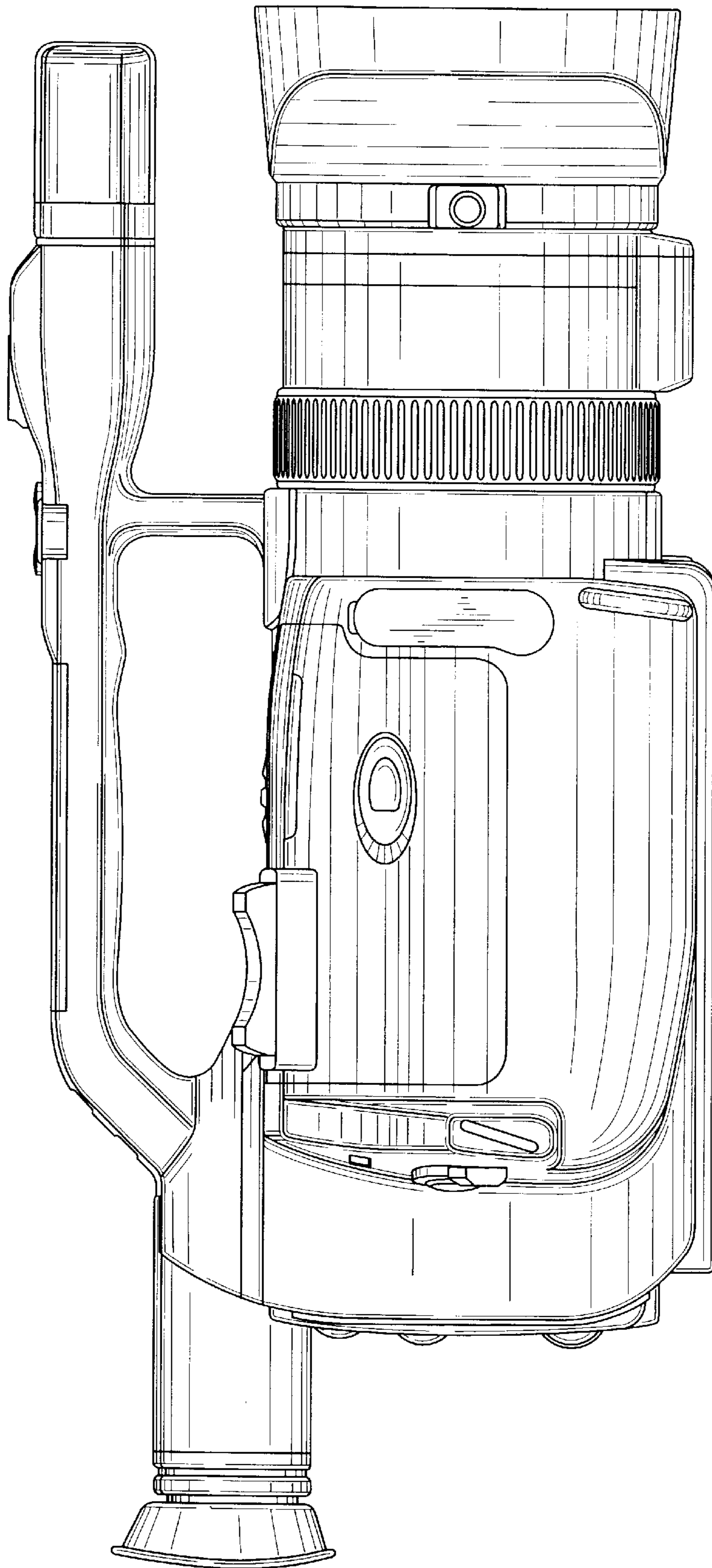


FIG. 6

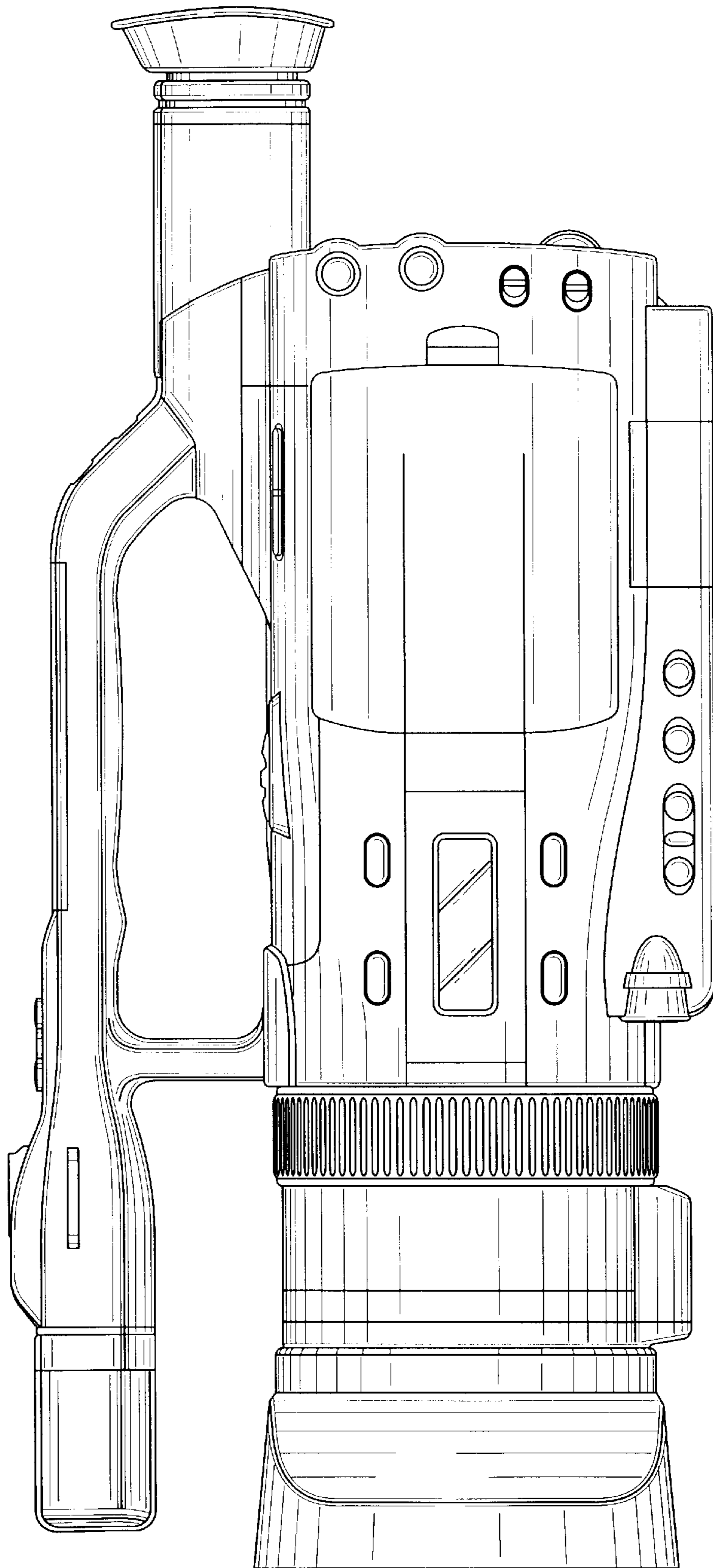


FIG. 7

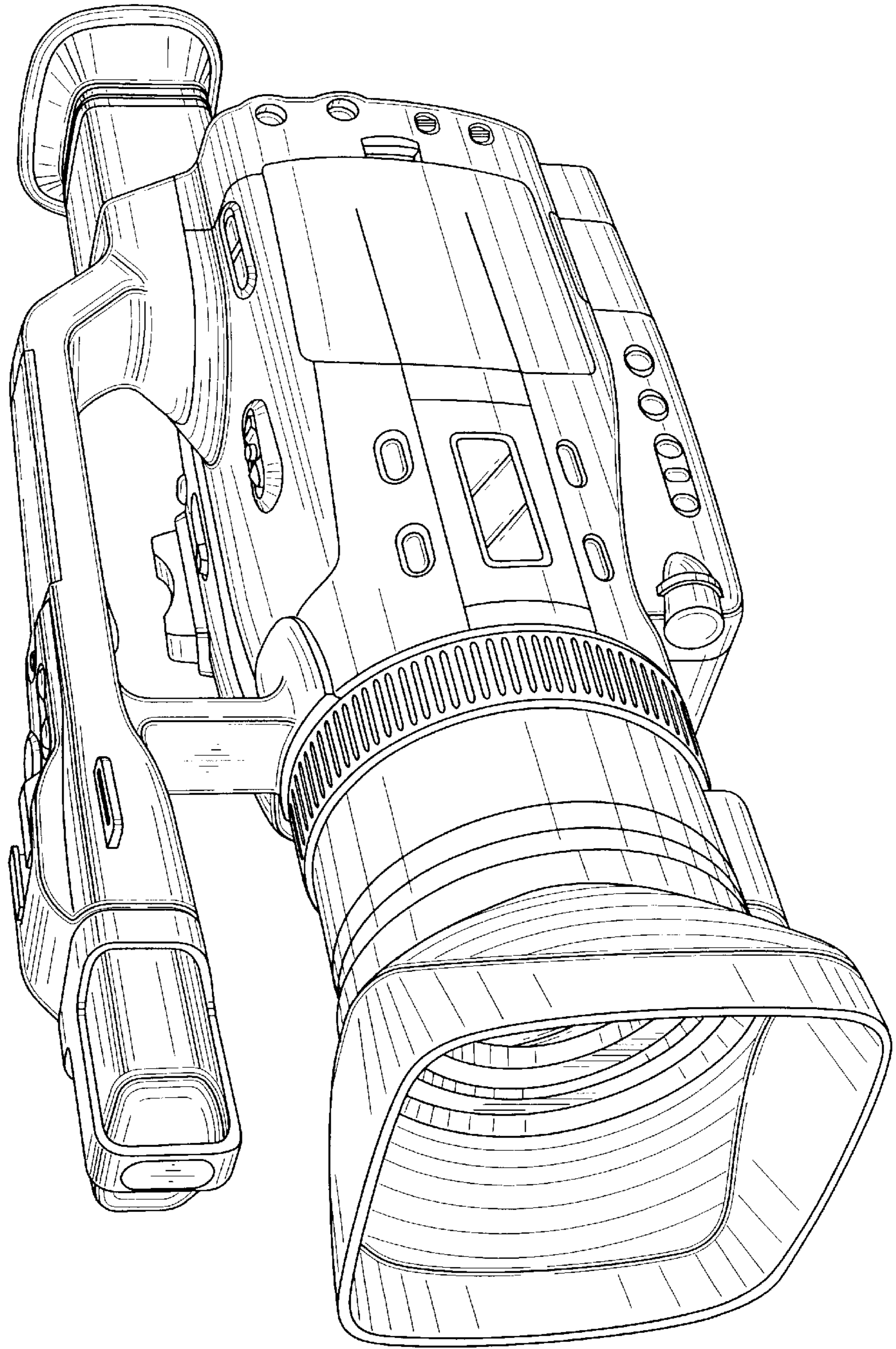


FIG. 8

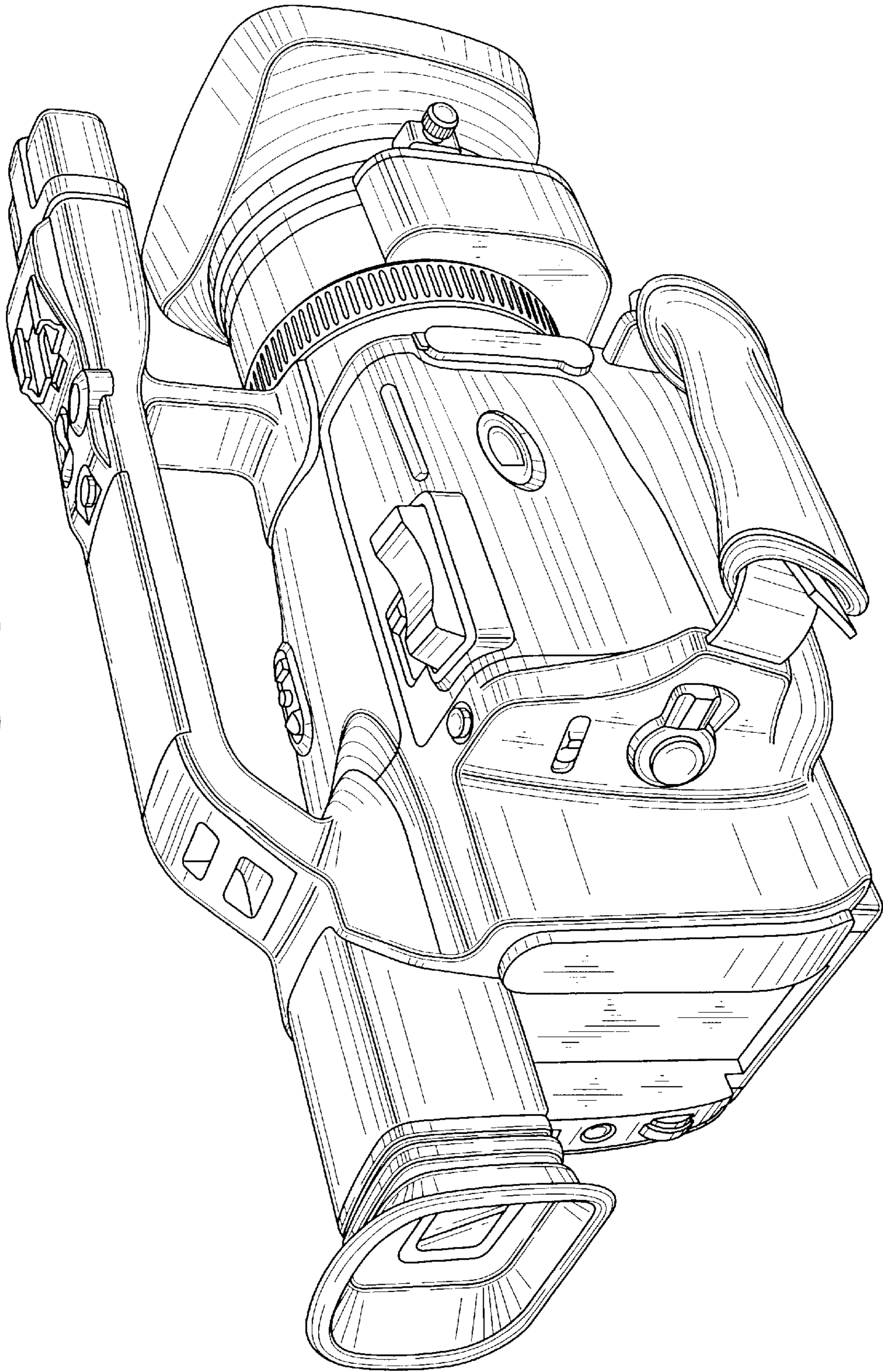


FIG. 9

