



US00D483780S

(12) **United States Design Patent**
Overholser

(10) **Patent No.:** **US D483,780 S**

(45) **Date of Patent:** **** Dec. 16, 2003**

(54) **ILLUMINATED MAGNIFIER**

D426,246 S * 6/2000 Hennessy et al. D16/135
D426,247 S * 6/2000 Lee D16/135

(76) Inventor: **Raymond C. Overholser**, 3600 SW.
54th Ct., Ocala, FL (US) 34474

* cited by examiner

(**) Term: **14 Years**

Primary Examiner—Paula A. Mortimer
(74) *Attorney, Agent, or Firm*—David Kiewit

(21) Appl. No.: **29/180,889**

(57) **CLAIM**

(22) Filed: **May 1, 2003**

The ornamental design for an illuminated magnifier, as shown and described.

(51) **LOC (7) Cl.** **16-06**

(52) **U.S. Cl.** **D16/135**

(58) **Field of Search** D16/130, 135;
359/802, 803, 805, 808, 810, 812; D26/38,
44, 51; 362/157, 253, 109

DESCRIPTION

FIG. 1 is a perspective elevational view of an illuminated magnifier showing my new design;
FIG. 2 is a top plan view of the illuminated magnifier;
FIG. 3 is a bottom plan view thereof;
FIG. 4 is a right side elevational view thereof;
FIG. 5 is a left side elevational view thereof;
FIG. 6 is a rear elevational view thereof; and,
FIG. 7 is a front elevational view thereof.

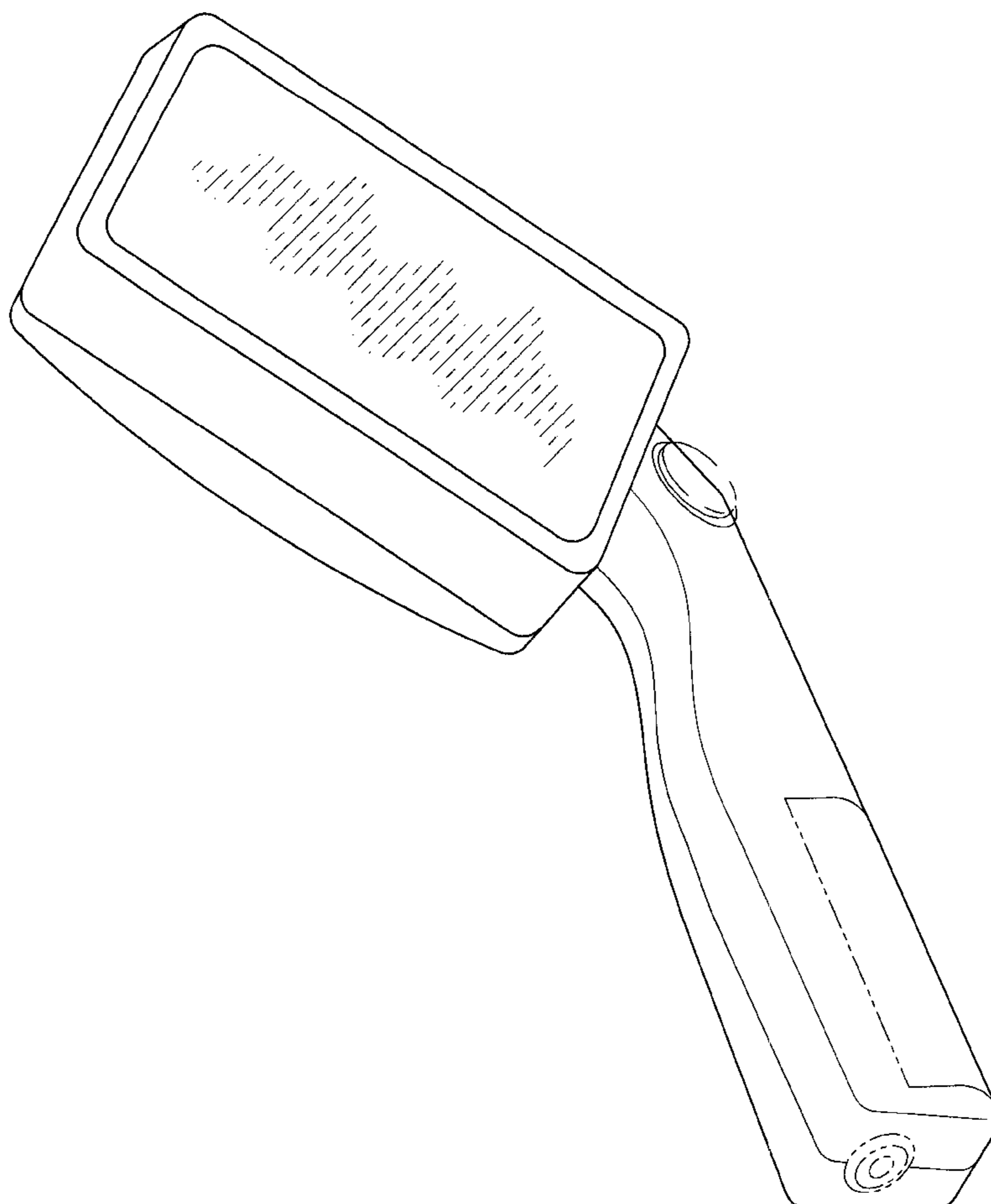
(56) **References Cited**

U.S. PATENT DOCUMENTS

D127,366 S	*	5/1941	Bouchard	D16/135
2,384,528 A	*	9/1945	Brandt et al.	359/803
D291,448 S	*	8/1987	Tai-Kam	D16/135
D298,634 S	*	11/1988	Yuen	D16/135
D303,119 S	*	8/1989	Steel et al.	D16/135
D306,174 S	*	2/1990	Rethore	D16/135
D406,853 S	*	3/1999	Chan	D16/135

Wherein the broken line showing of a battery compartment cover, a switch, a power connector and a light source are for illustrative purposes only and form no part of my design.

1 Claim, 5 Drawing Sheets



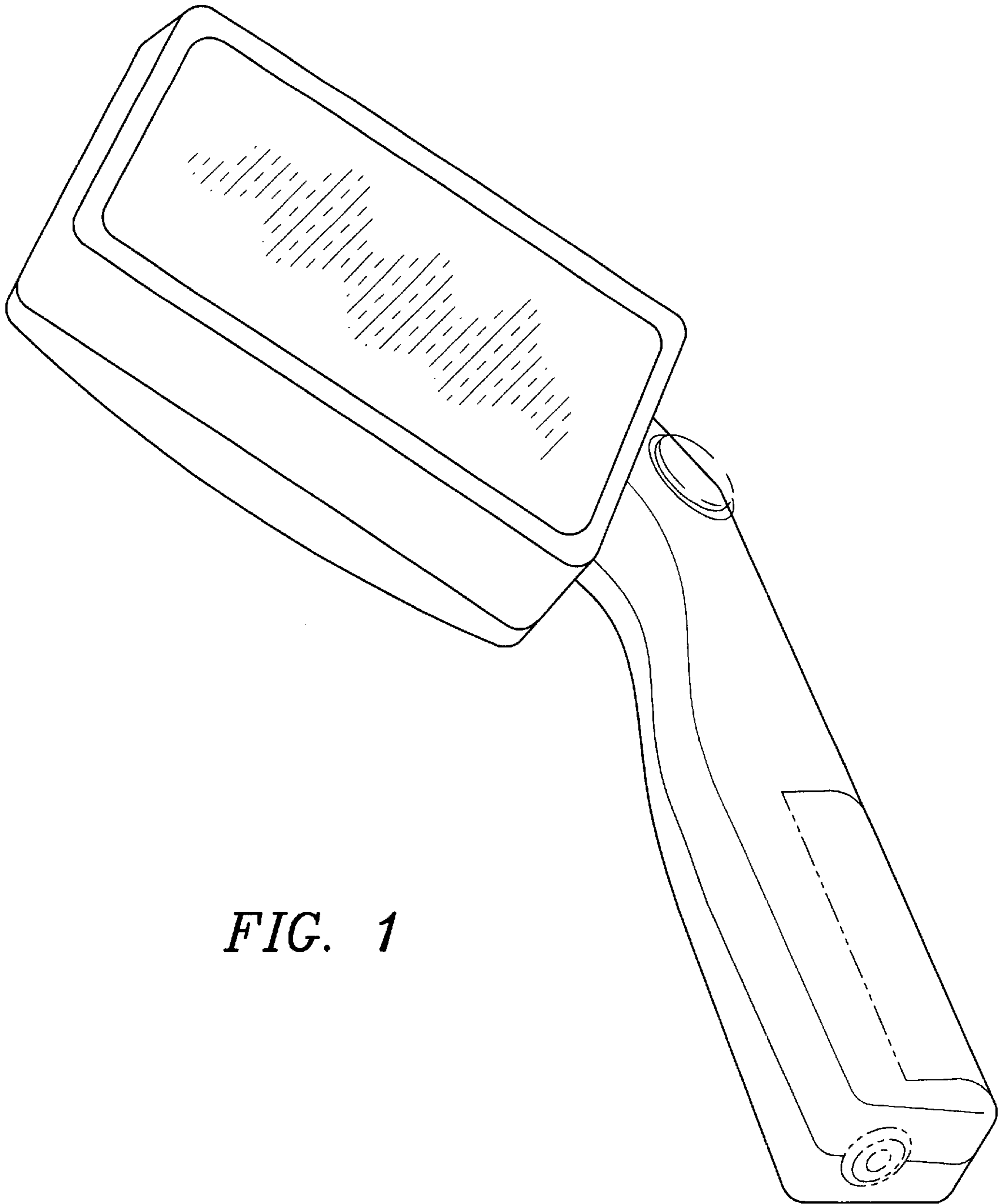
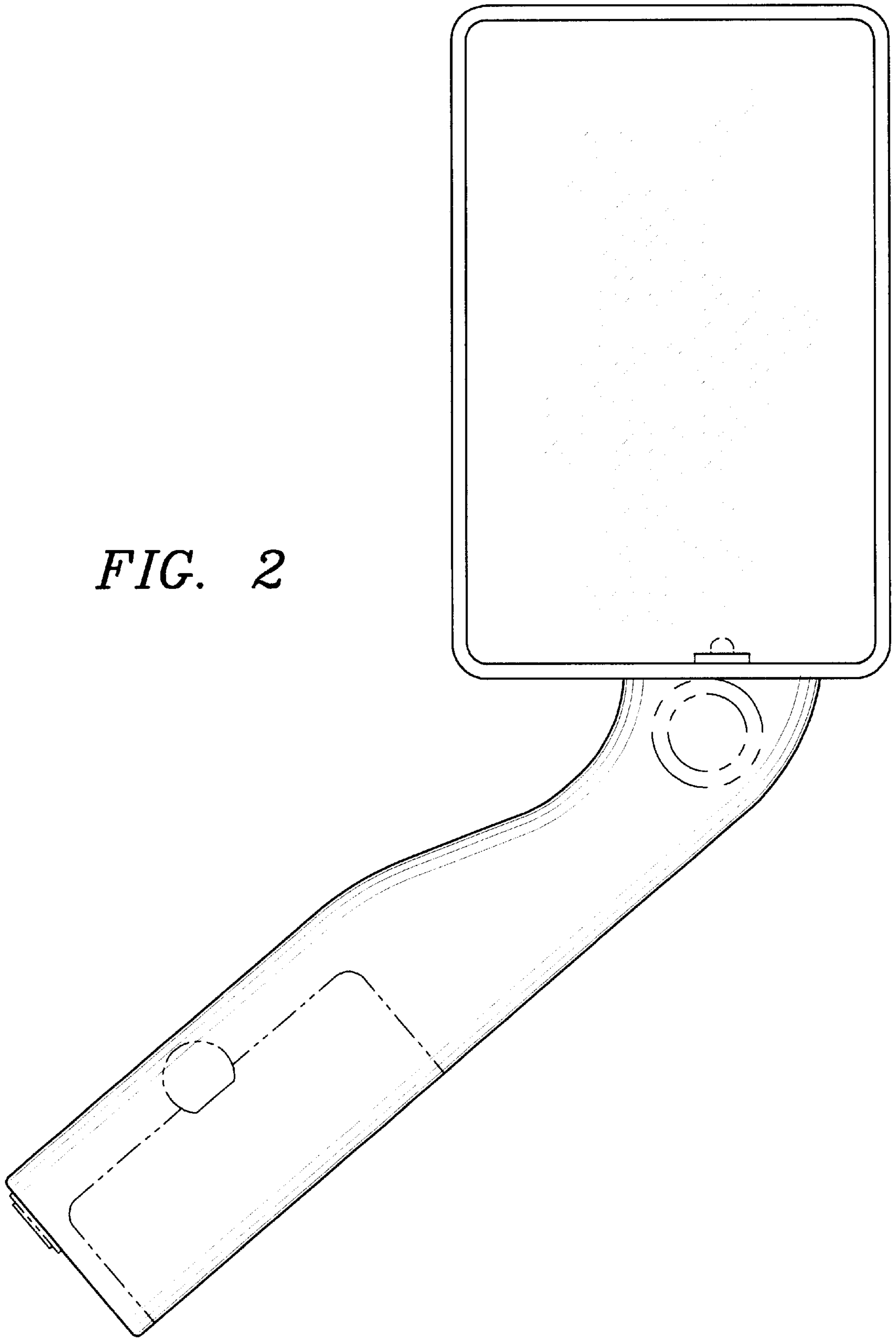


FIG. 1

FIG. 2



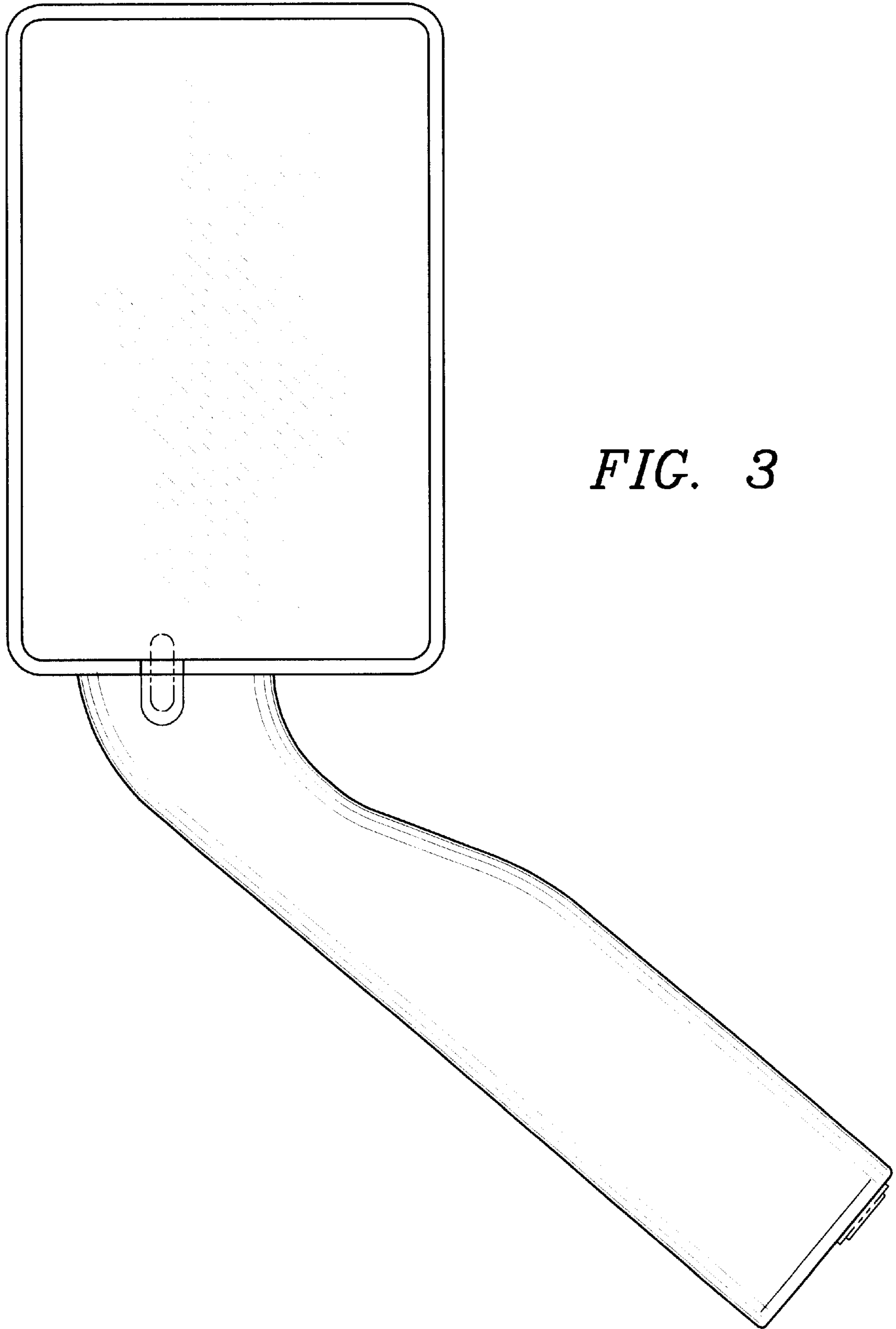


FIG. 3

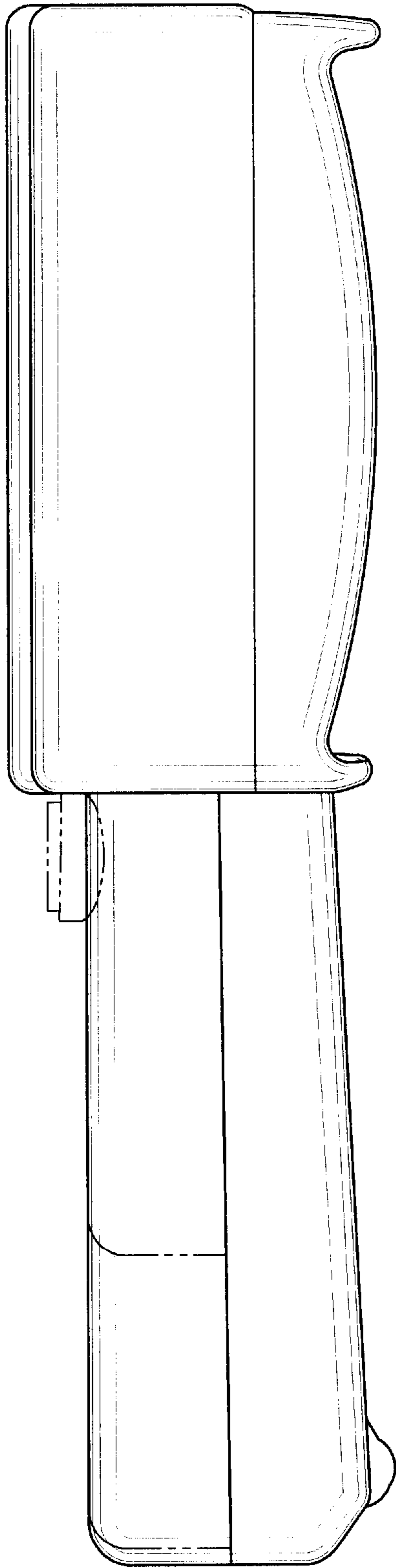


FIG. 4

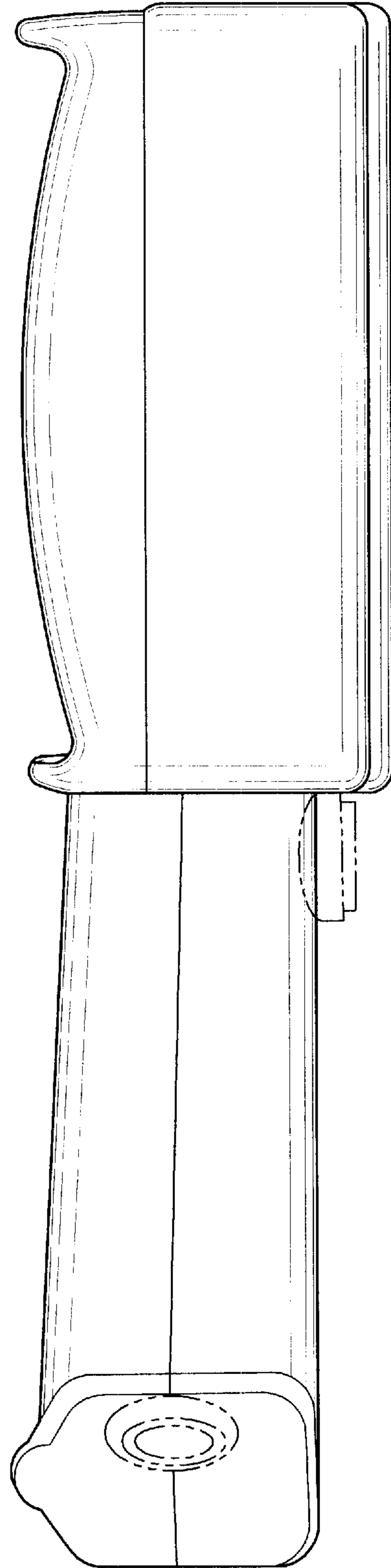


FIG. 5

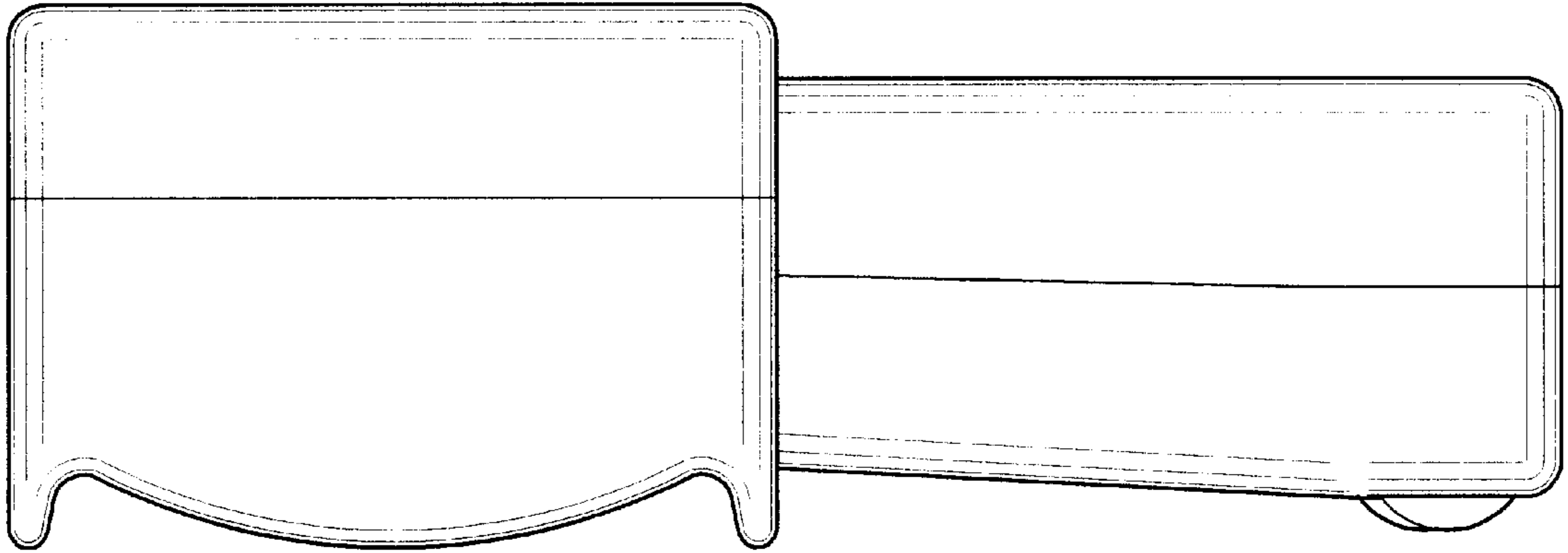


FIG. 6

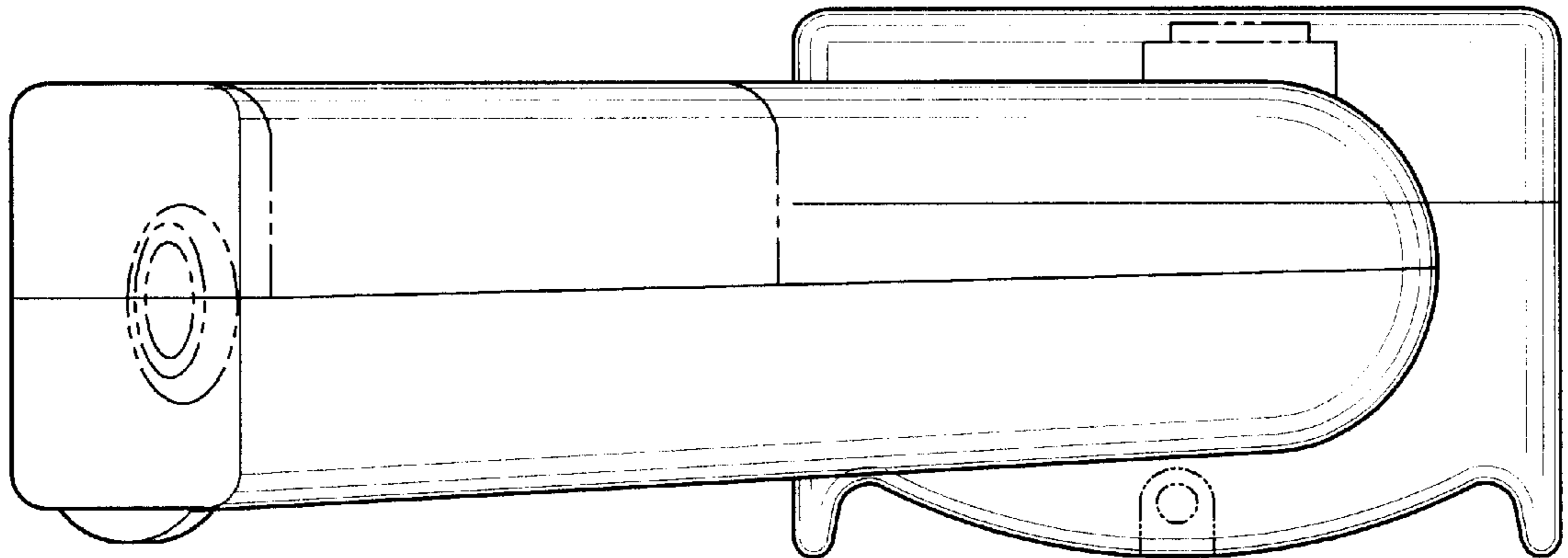


FIG. 7