



US00D483779S

(12) **United States Design Patent**
Huang

(10) **Patent No.:** **US D483,779 S**

(45) **Date of Patent:** **** Dec. 16, 2003**

(54) **MAGNIFYING DEVICE WORN AROUND THE HEAD**

(75) **Inventor:** **Tsung Hui Huang, Tai Ping (TW)**

(73) **Assignee:** **Gem Optical Co., Ltd., Taichung Hsien (TW)**

(**) **Term:** **14 Years**

(21) **Appl. No.:** **29/174,547**

(22) **Filed:** **Jan. 22, 2003**

(51) **LOC (7) Cl.** **16-06**

(52) **U.S. Cl.** **D16/135**

(58) **Field of Search** D16/130, 135,
D16/136, 310, 31, 340; D29/100, 103,
104; 2/8, 9, 10, 11, 12, 15, 422, 439; 362/105,
106; D26/38, 39; 359/808, 809, 810, 812,
815; D14/135, 372

(56) **References Cited**

U.S. PATENT DOCUMENTS

3,087,049 A * 4/1963 Schecter 362/105
3,572,931 A * 3/1971 Adler 2/15 X
D300,476 S * 3/1989 Sestak D16/309

D327,491 S * 6/1992 Chandler D16/135
D359,060 S * 6/1995 Sherlock et al. D16/135
5,667,292 A * 9/1997 Sabalvaro, Jr. 362/106
D389,826 S * 1/1998 Cousins D14/135
D430,887 S * 9/2000 Goff et al. D16/135
D458,287 S * 6/2002 Huang D16/135

* cited by examiner

Primary Examiner—Paula A. Mortimer

(74) *Attorney, Agent, or Firm*—Dennison, Schultz & Dougherty

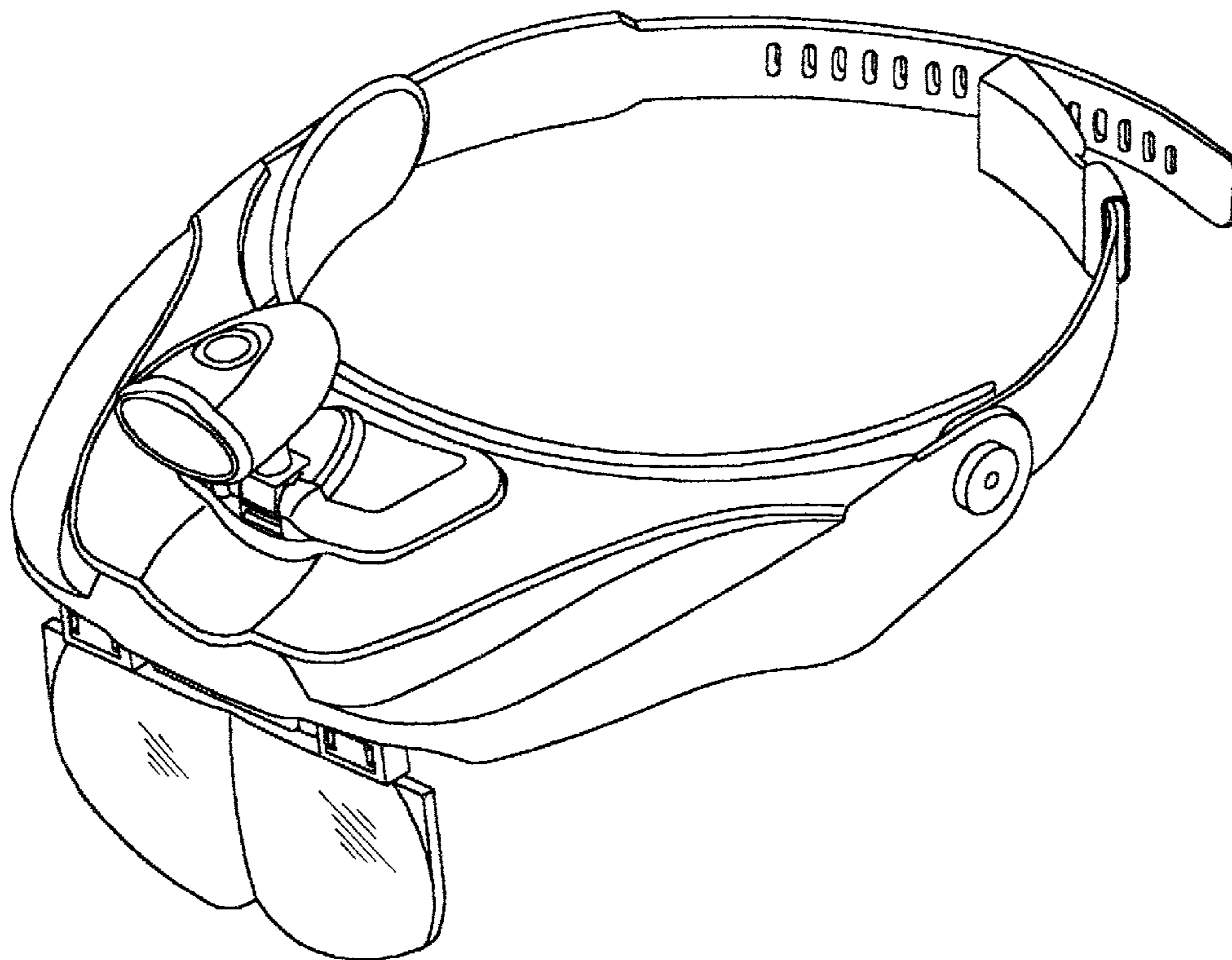
(57) **CLAIM**

The ornamental design for a magnifying device worn around the head, as shown and described.

DESCRIPTION

FIG. 1 shows a perspective view of the present design; FIG. 2 shows a front elevational view of the present design; FIG. 3 shows a rear elevational view of the present design; FIG. 4 shows a left elevational view of the present design; FIG. 5 shows a right elevational view of the present design; FIG. 6 shows a top plan view of the present design; and, FIG. 7 shows a bottom plan view of the present design.

1 Claim, 7 Drawing Sheets



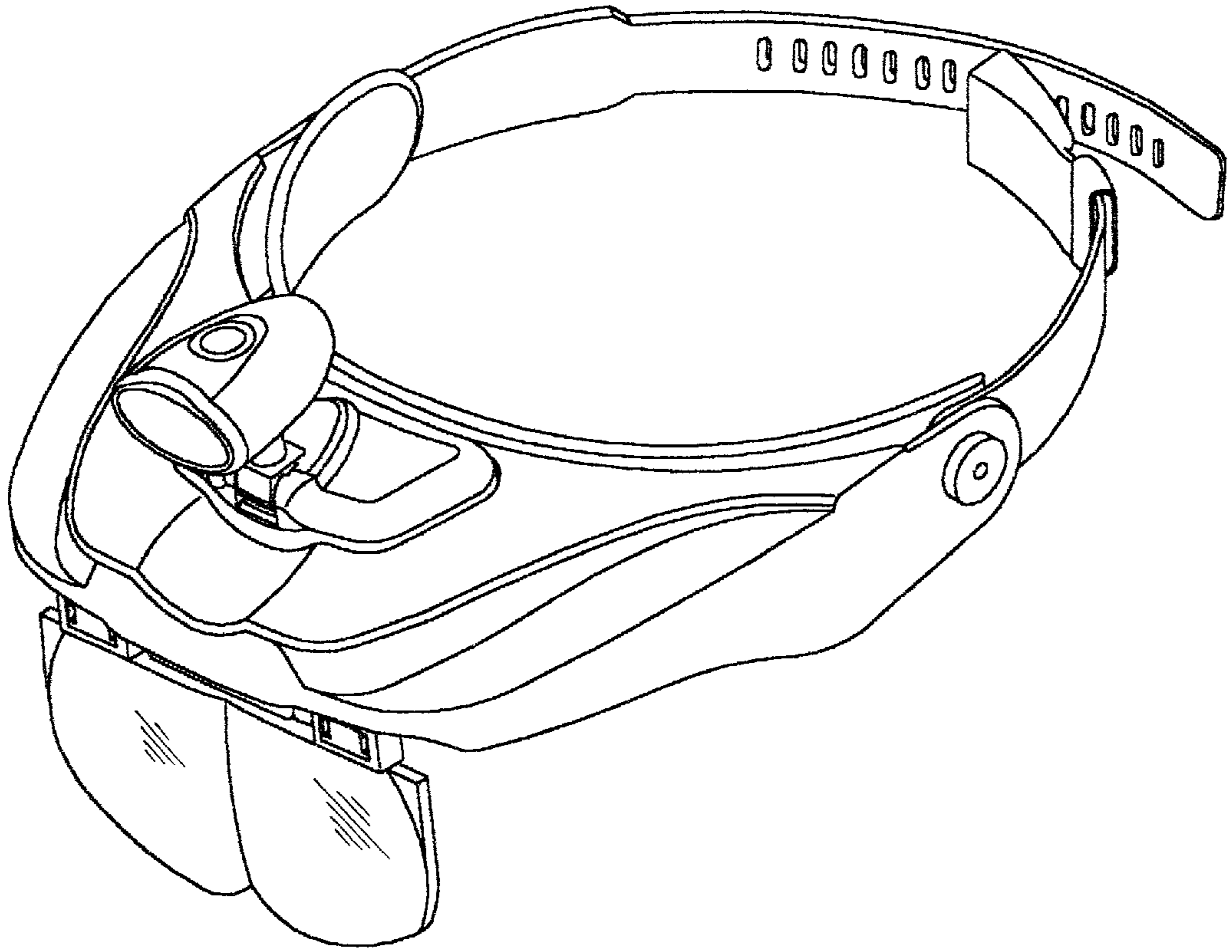


Fig • 1

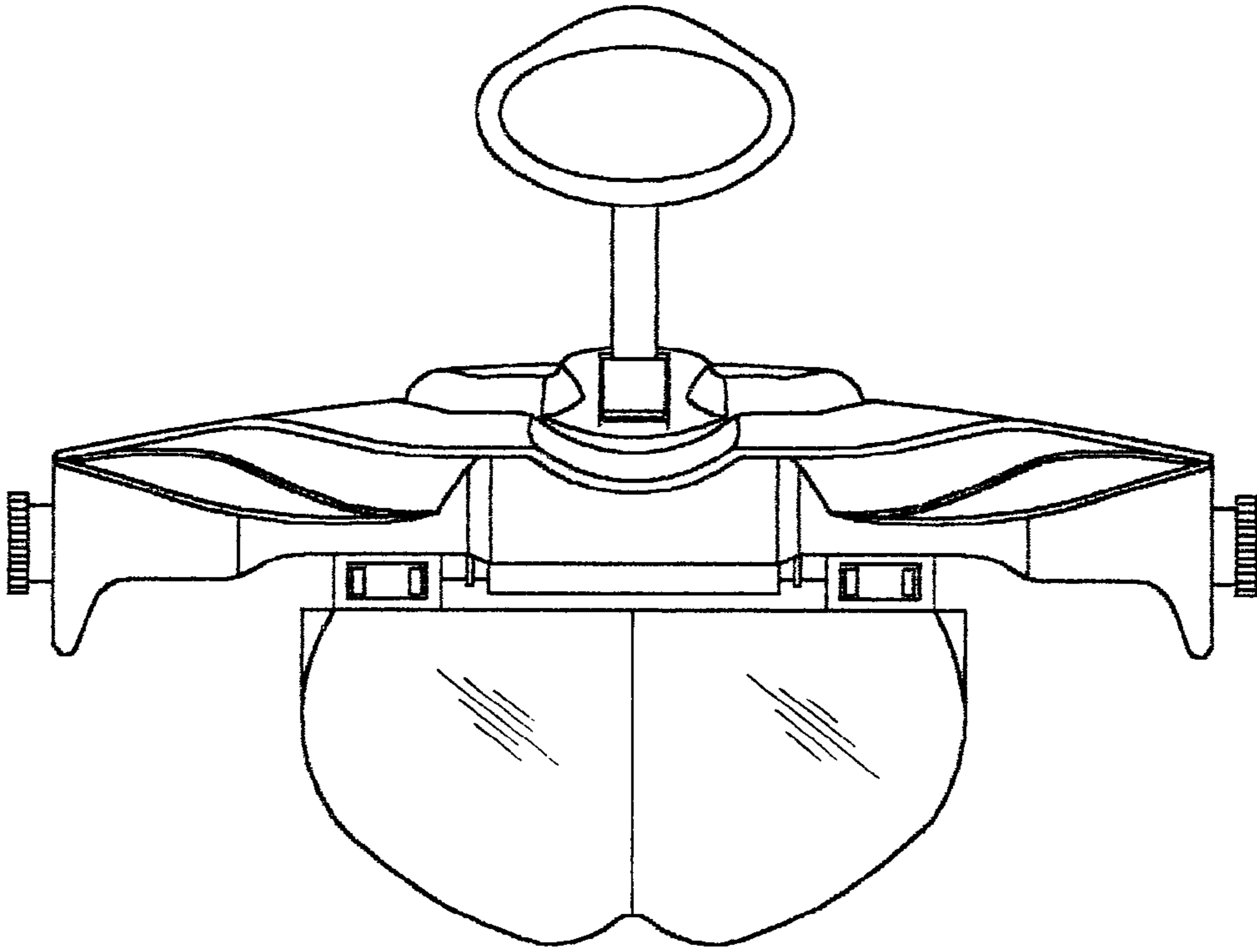


Fig • 2

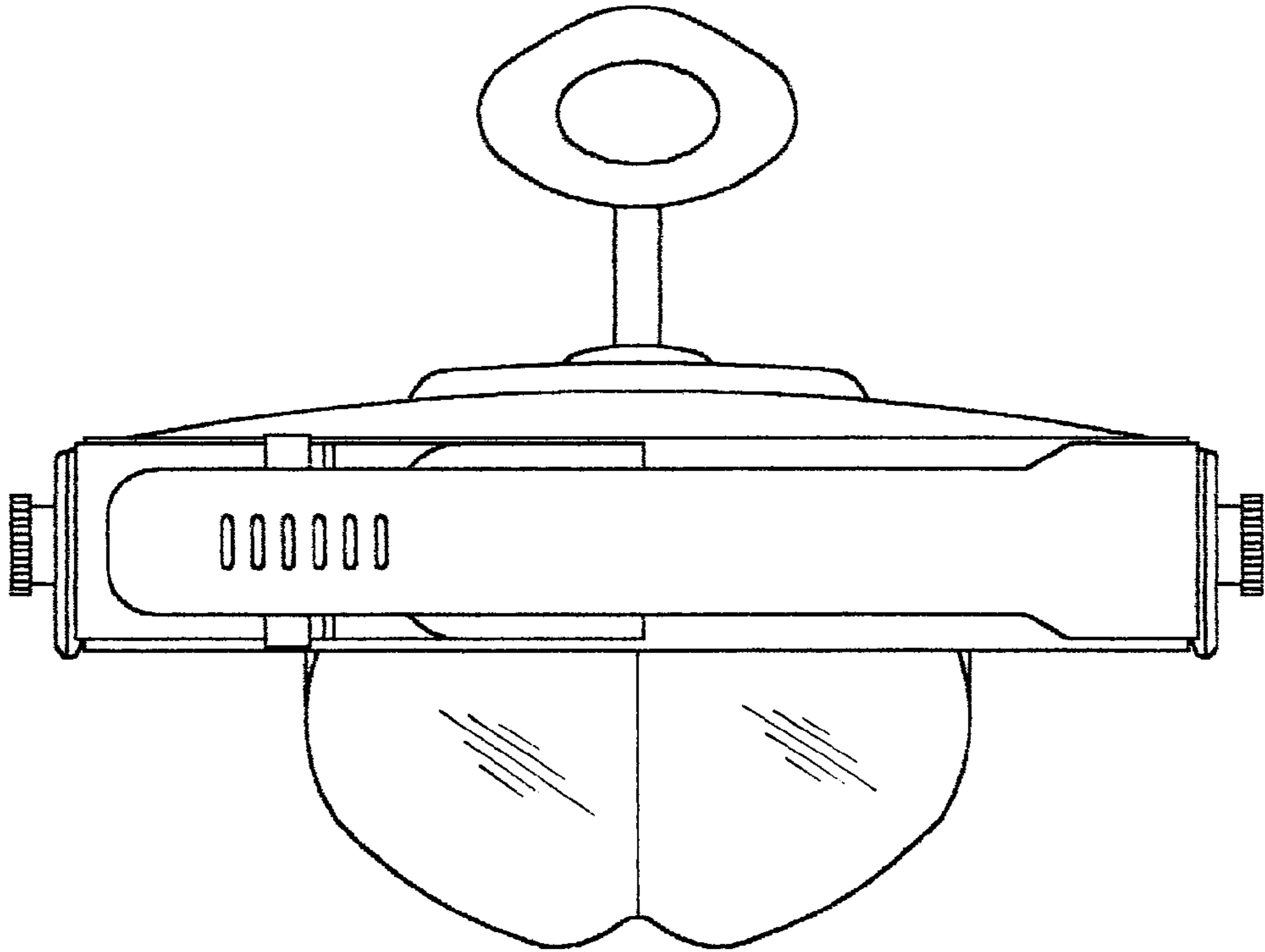


Fig • 3

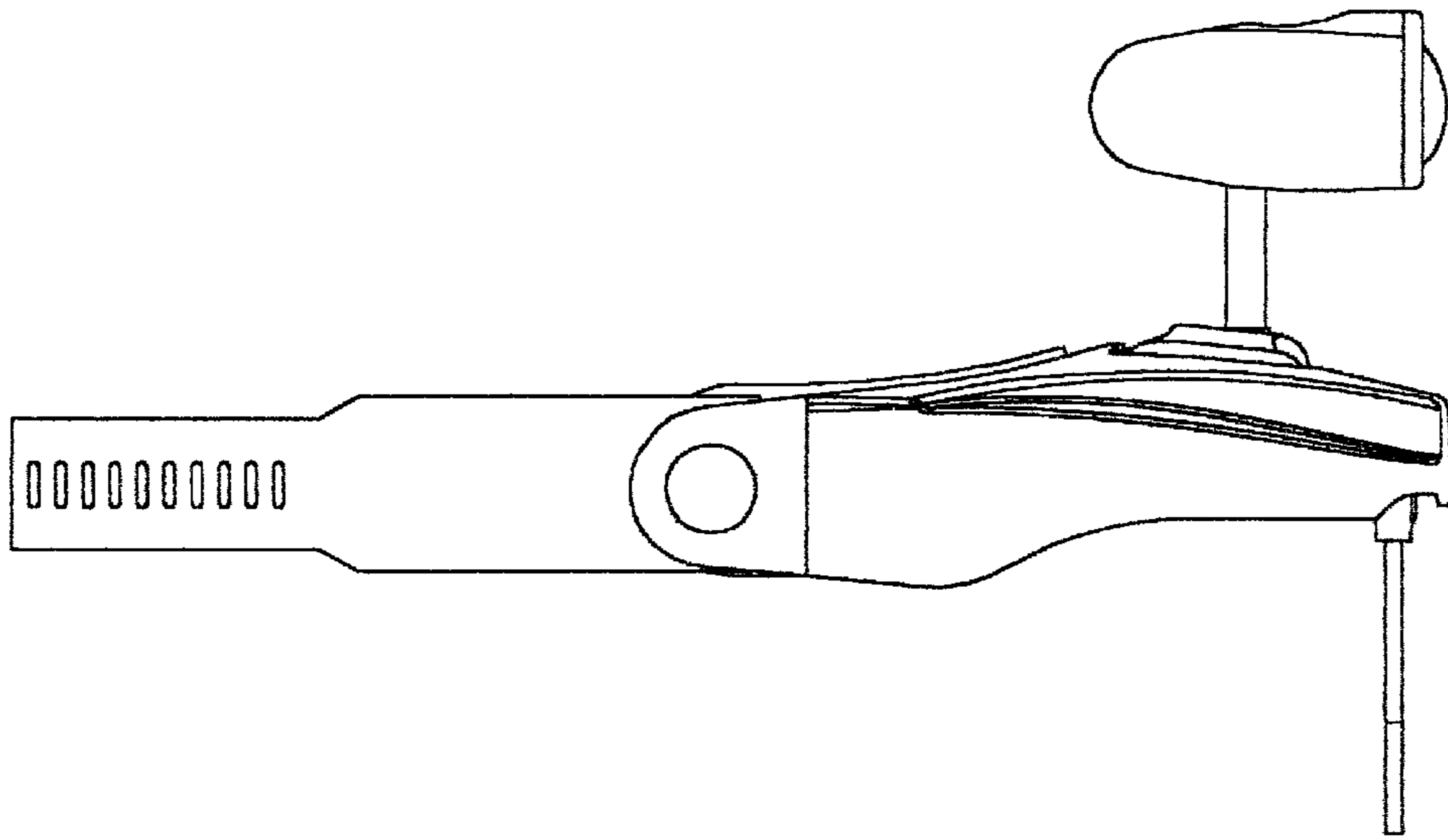


Fig • 4

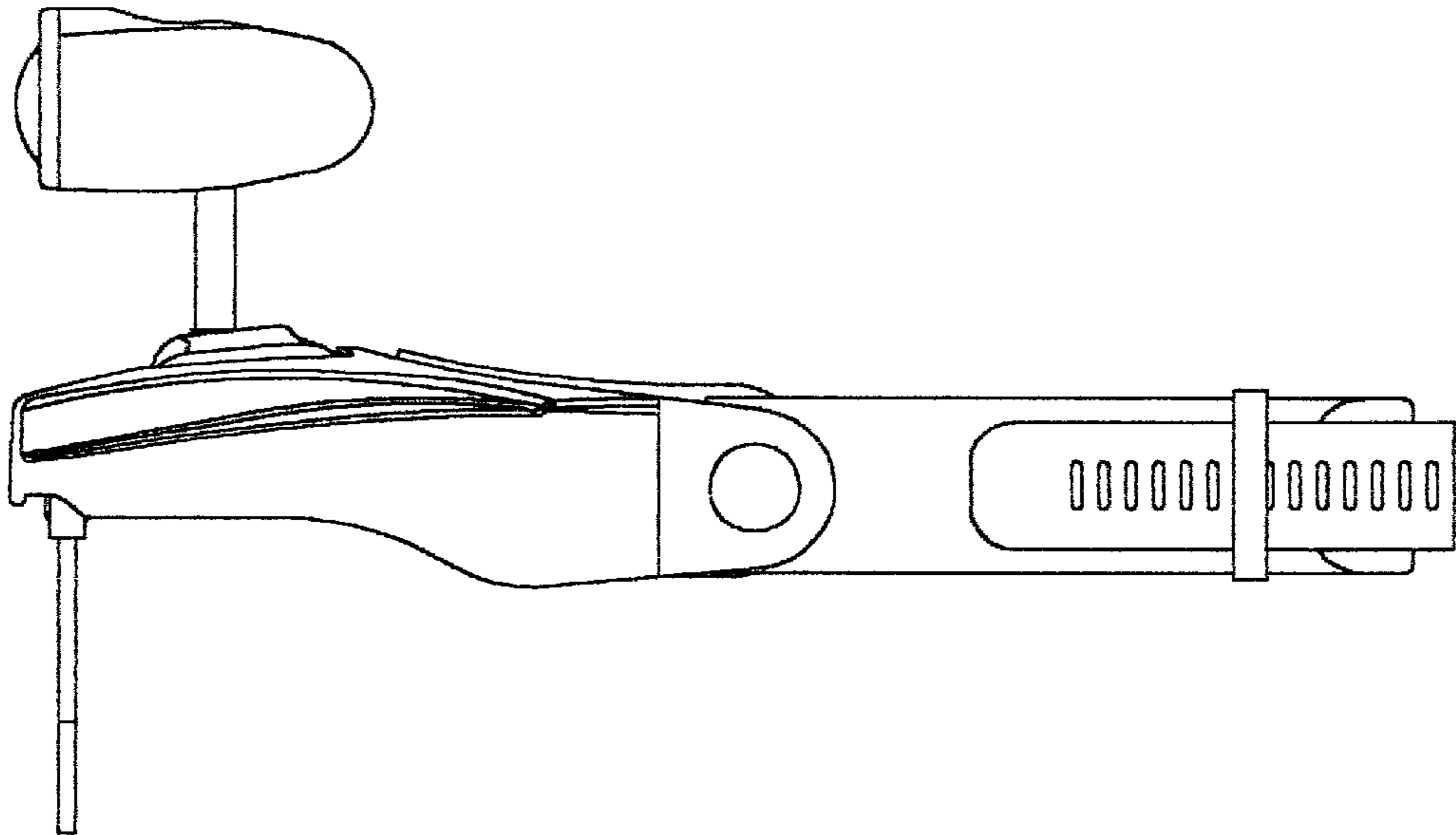


Fig • 5

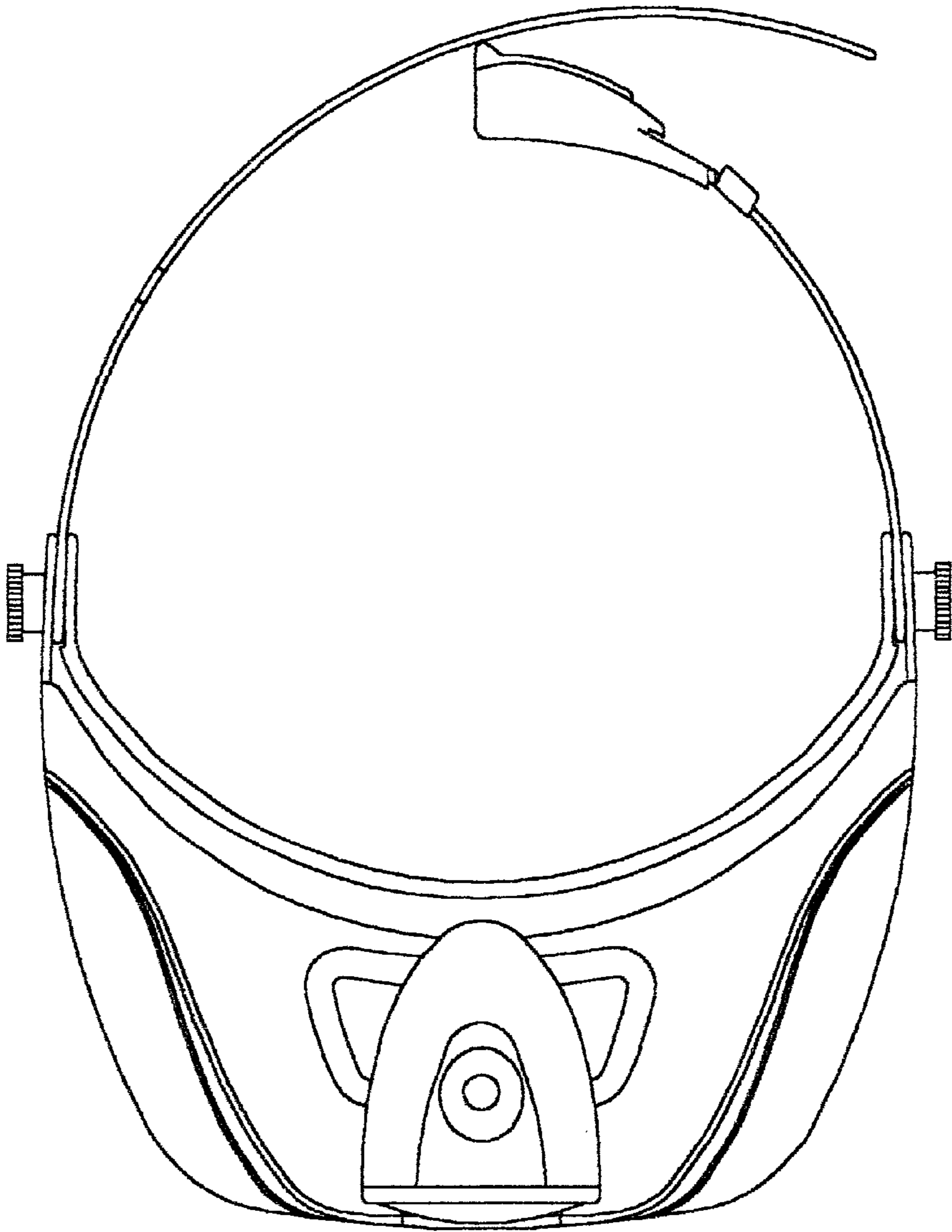


Fig • 6

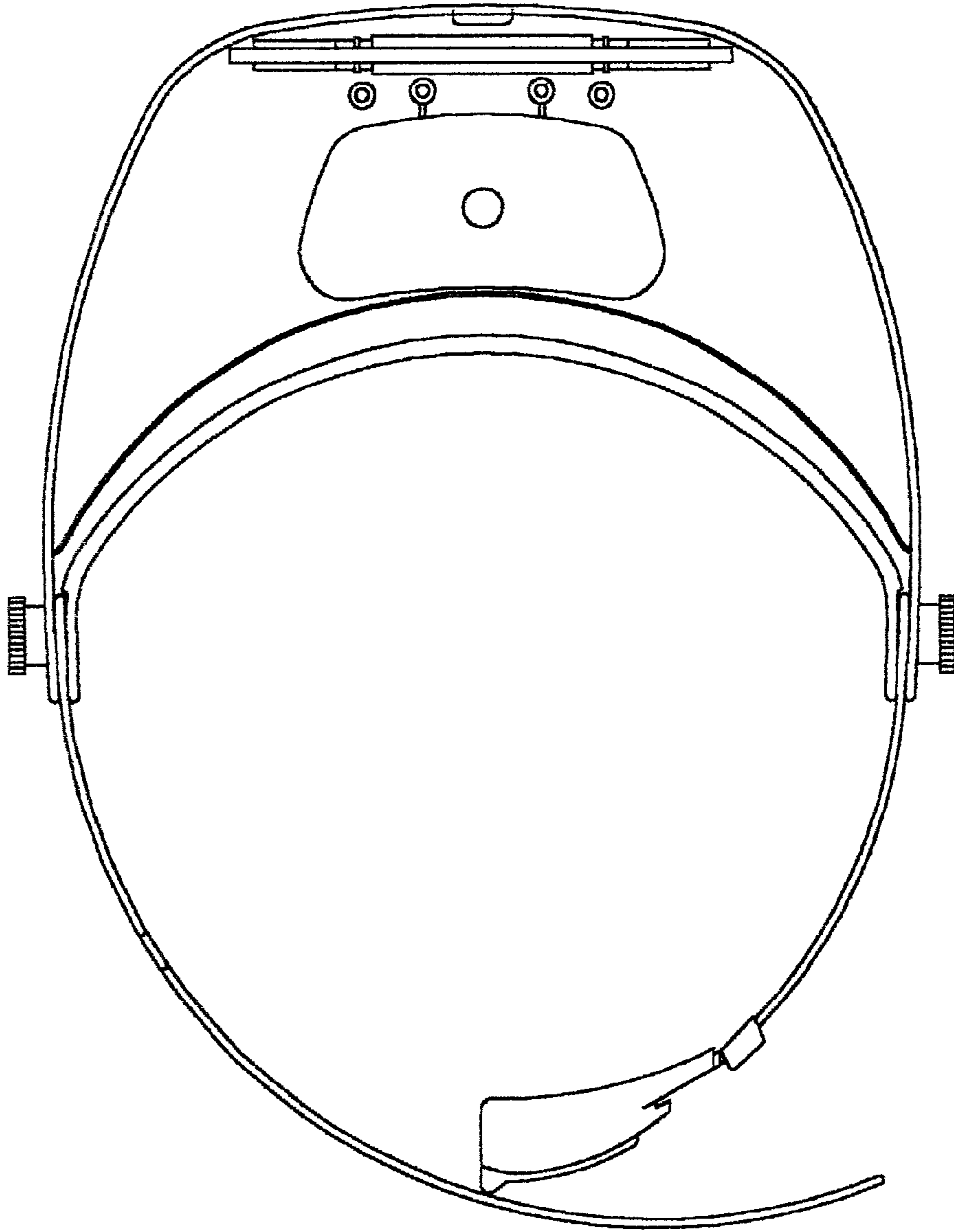


Fig • 7