



US00D483776S

(12) **United States Design Patent**  
**Ma et al.**

(10) **Patent No.:** **US D483,776 S**

(45) **Date of Patent:** **\*\* Dec. 16, 2003**

(54) **WINE CELLAR**

D460,466 S \* 7/2002 Ma et al. .... D15/79

(75) Inventors: **Jian Ma**, Qingdao (CN); **Biao Li**,  
Qingdao (CN); **Yaowen Bai**, Qingdao  
(CN); **Kegang Huang**, Qingdao (CN)

\* cited by examiner

(73) Assignees: **Haier Group Corporation**, Qingdao  
(CN); **Qingdao Haier Icebox Co.,  
Ltd.**, Qingdao (CN)

*Primary Examiner*—Mitchell Siegel  
(74) *Attorney, Agent, or Firm*—D. Peter Hochberg;  
Katherine R. Vieyra; Sean Mellino

(\*\*) Term: **14 Years**

(57) **CLAIM**

The ornamental design for a wine cellar, as shown and  
described.

(21) Appl. No.: **29/164,141**

**DESCRIPTION**

(22) Filed: **Jul. 18, 2002**

(30) **Foreign Application Priority Data**

Feb. 22, 2002 (CN) ..... 02 3 10668

(51) **LOC (7) Cl.** ..... **15-07**

(52) **U.S. Cl.** ..... **D15/81**

(58) **Field of Search** ..... D15/79-91; 62/250,  
62/457, 445, 128, 127, 246, 371, 444; 312/114,  
116, 128, 236

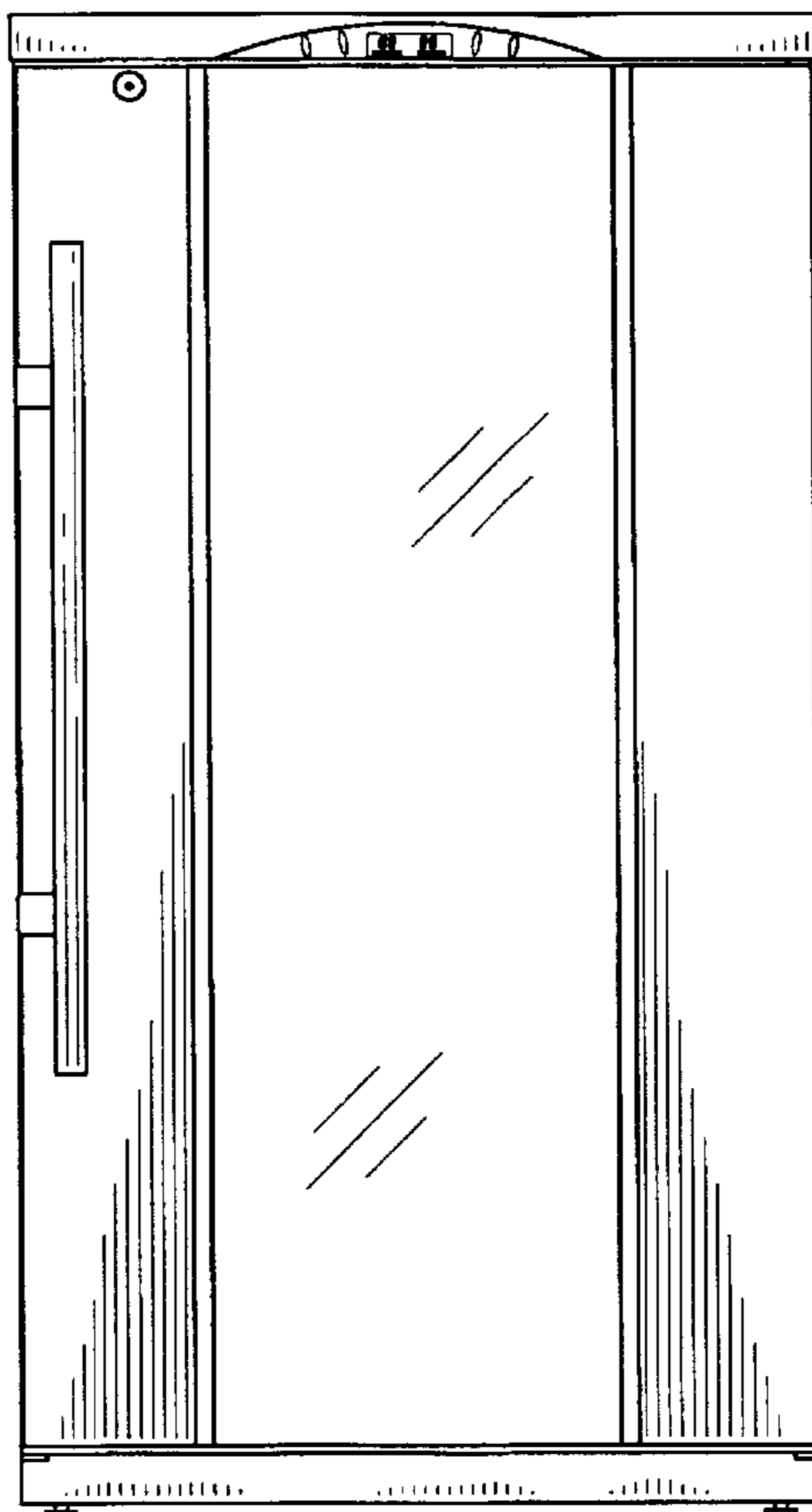
FIG. 1 is a front view according to the invention;  
FIG. 2 is a right side view of the wine cellar as shown in  
FIG. 1;  
FIG. 3 is a left side view of the wine cellar as shown in FIG.  
1;  
FIG. 4 is a rear view of the wine cellar as shown in FIG. 1;  
FIG. 5 is a bottom plan view of the wine cellar as shown in  
FIG. 1; and,  
FIG. 6 is a top plan view of the wine cellar as shown in FIG.  
1.

(56) **References Cited**

**U.S. PATENT DOCUMENTS**

D453,169 S \* 1/2002 Ma et al. .... D15/81

**1 Claim, 3 Drawing Sheets**



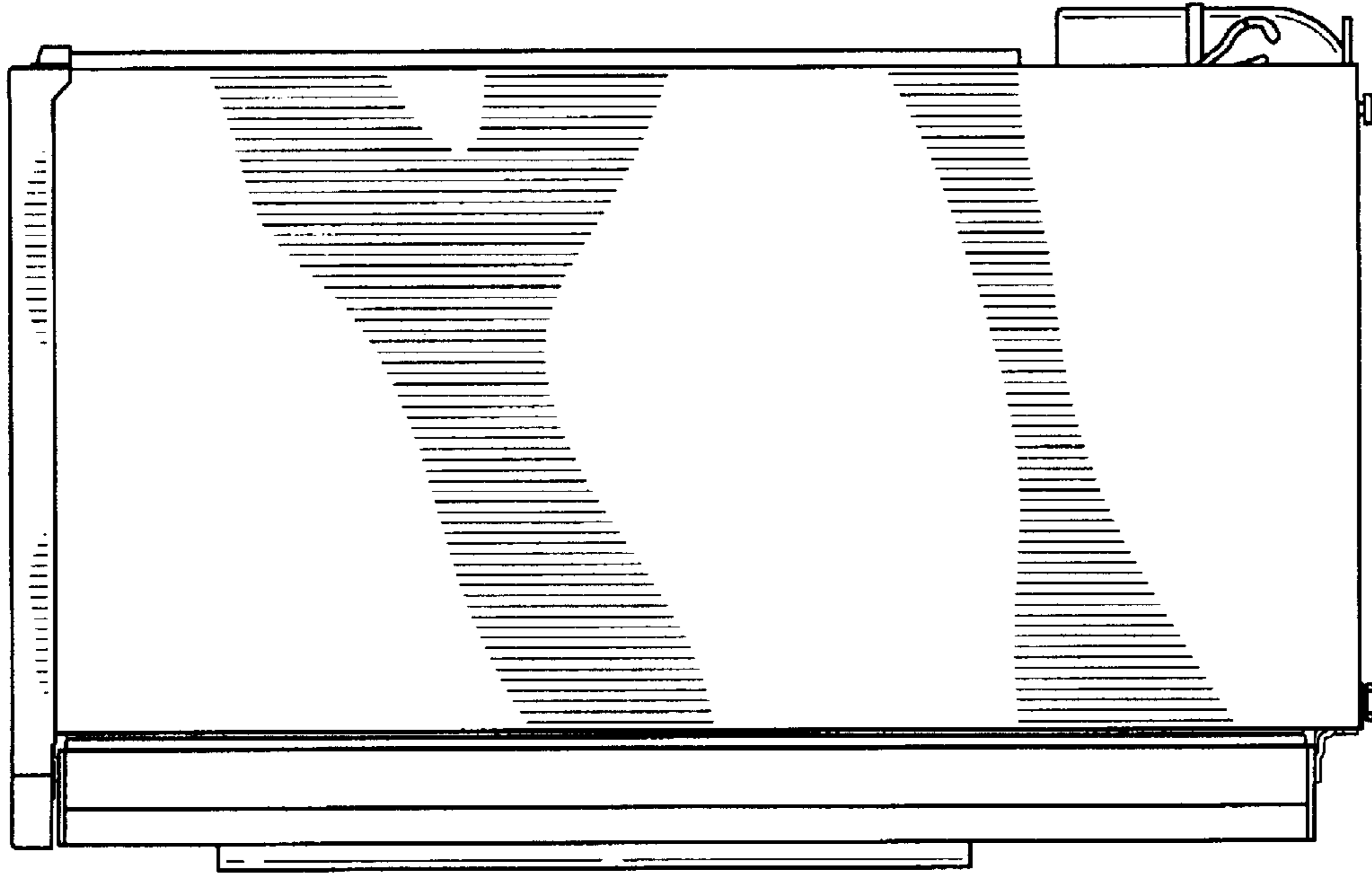


FIG-2

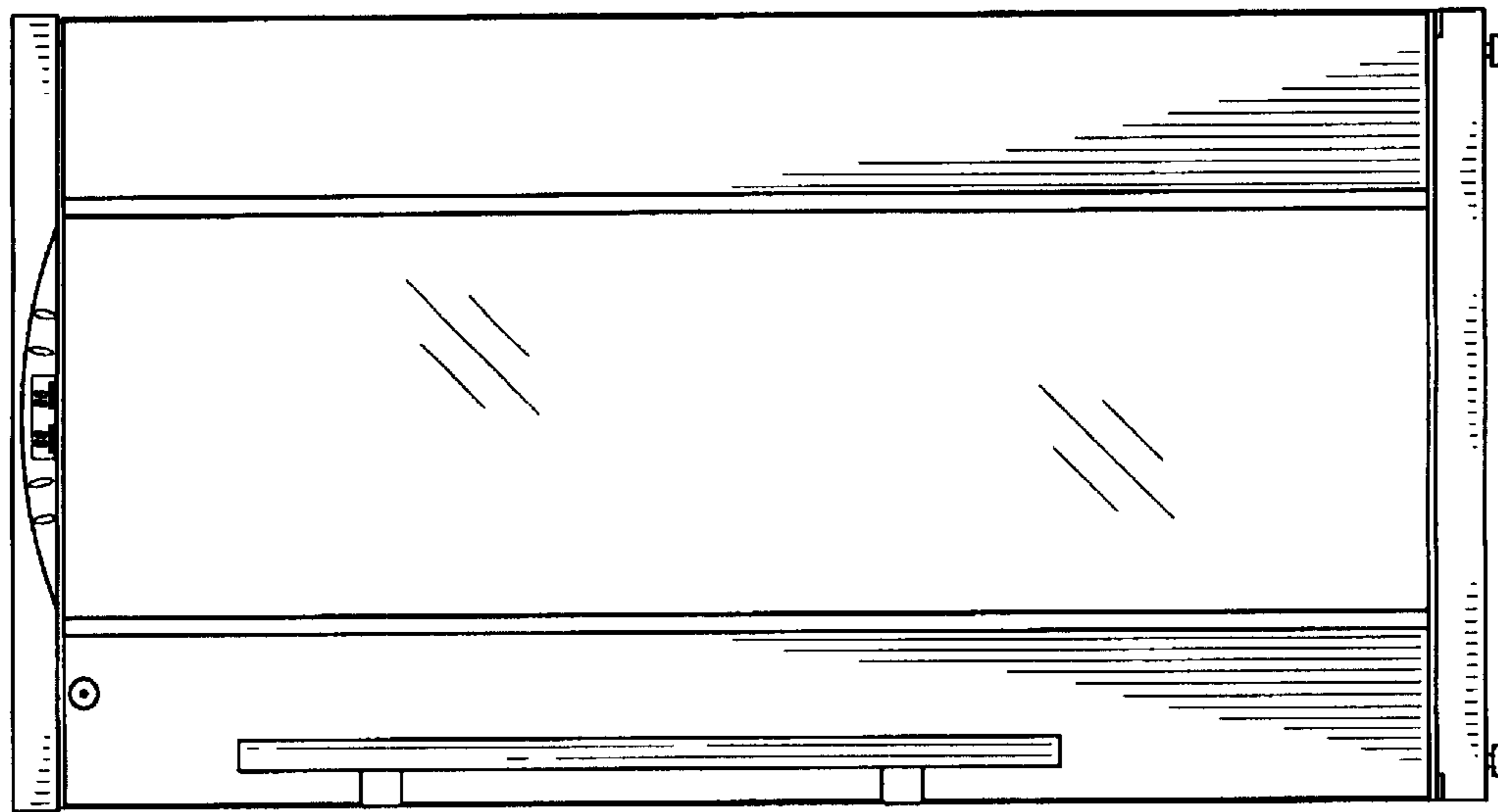


FIG-1

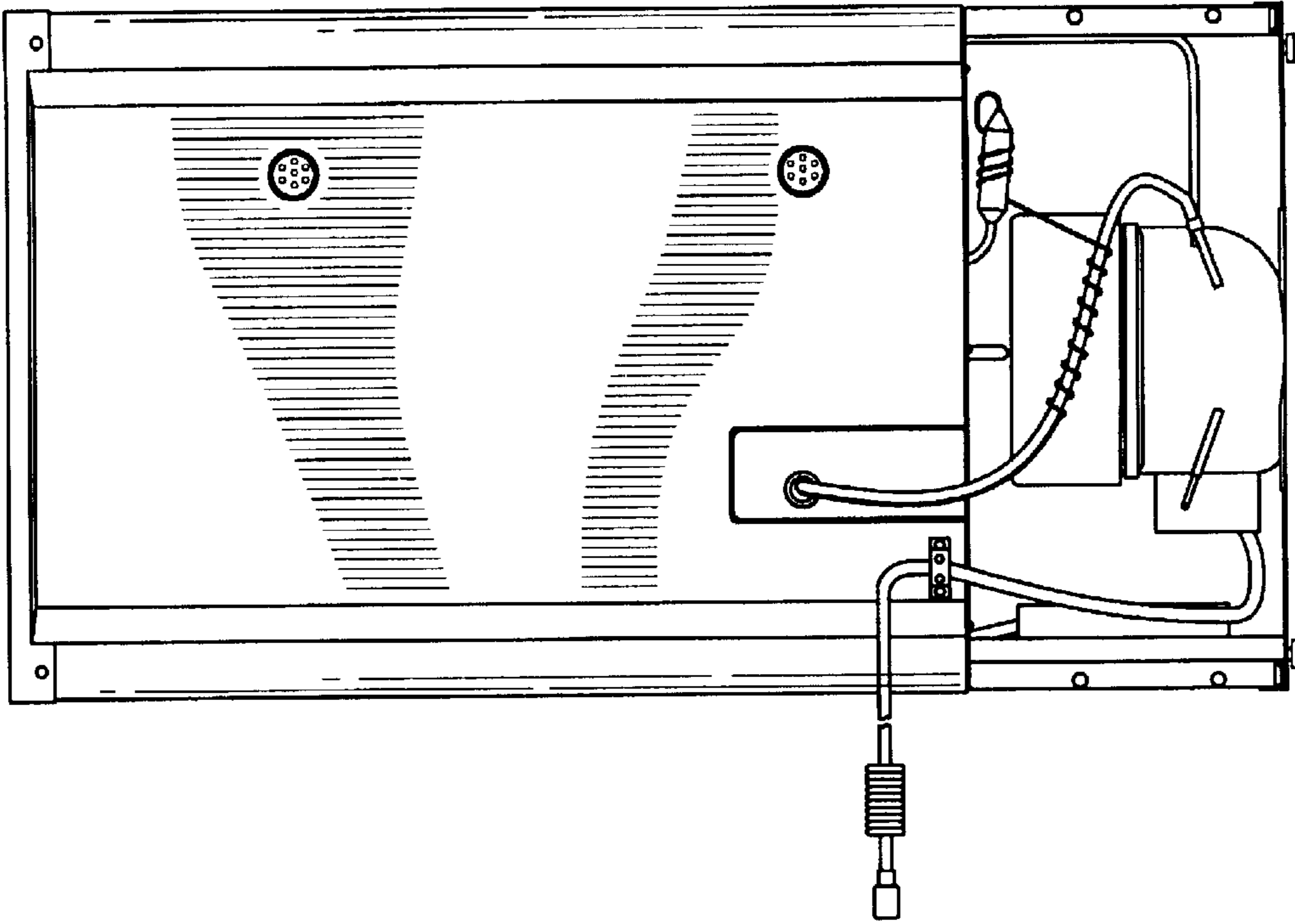


FIG-4

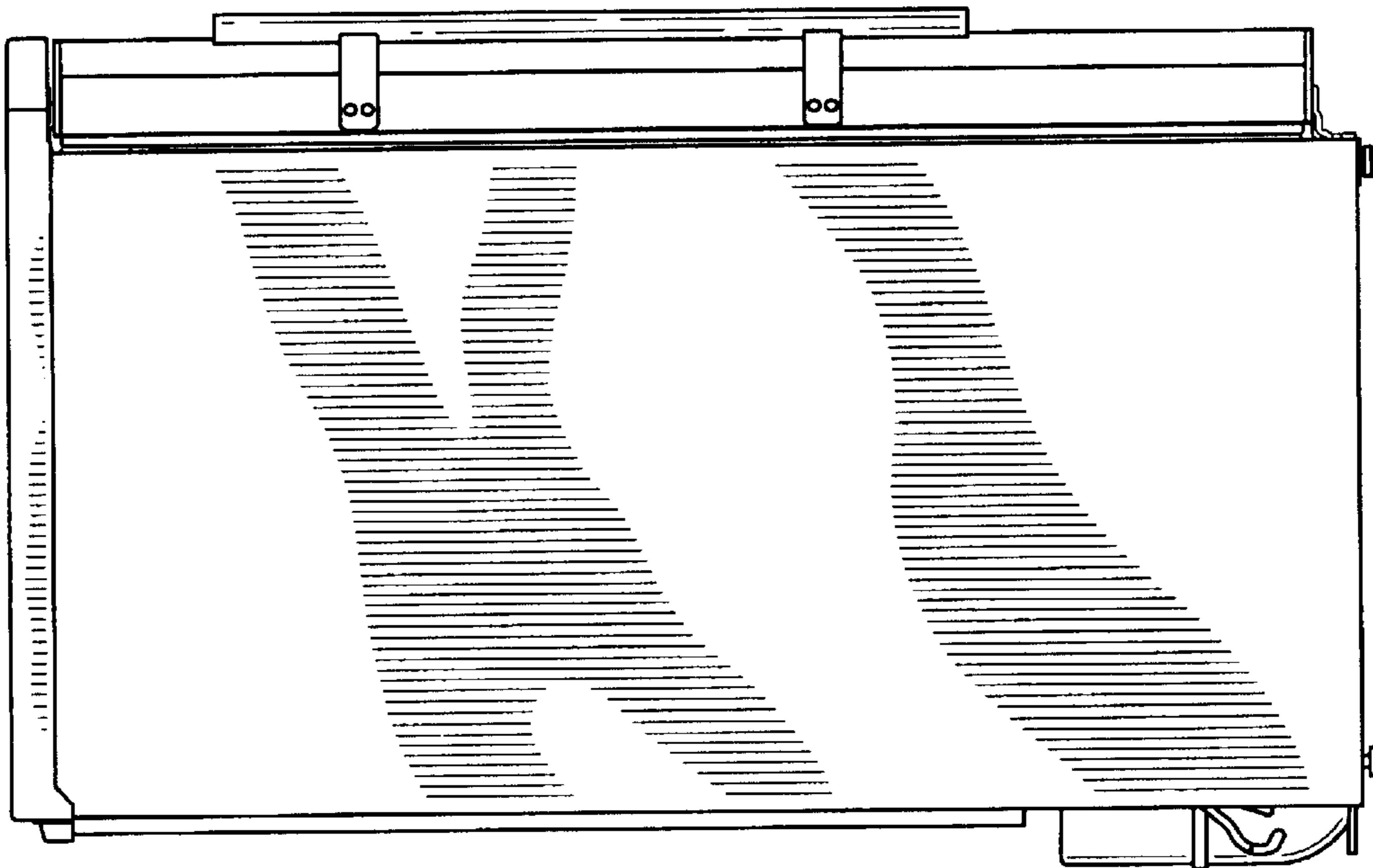


FIG-3

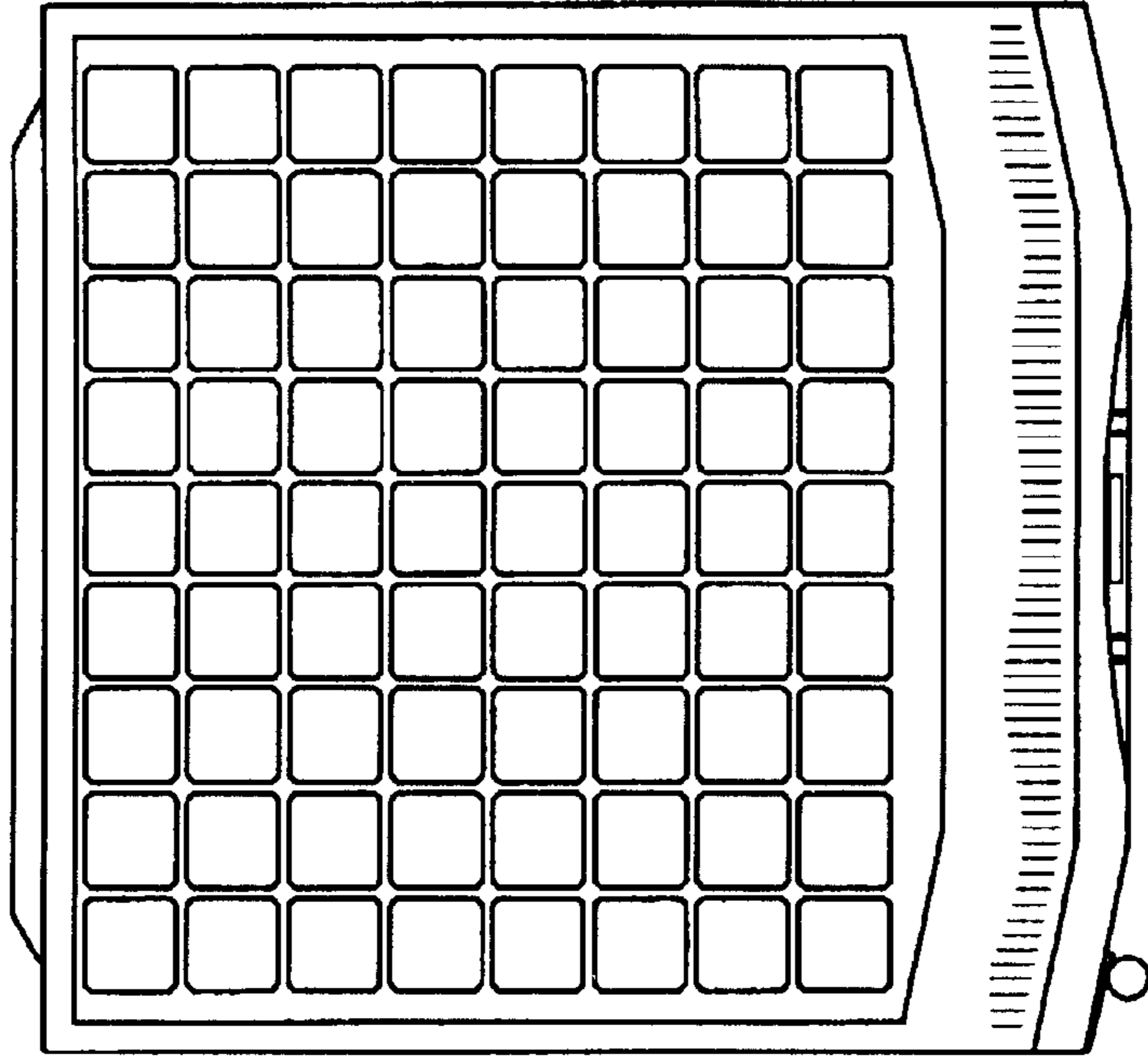


FIG-6

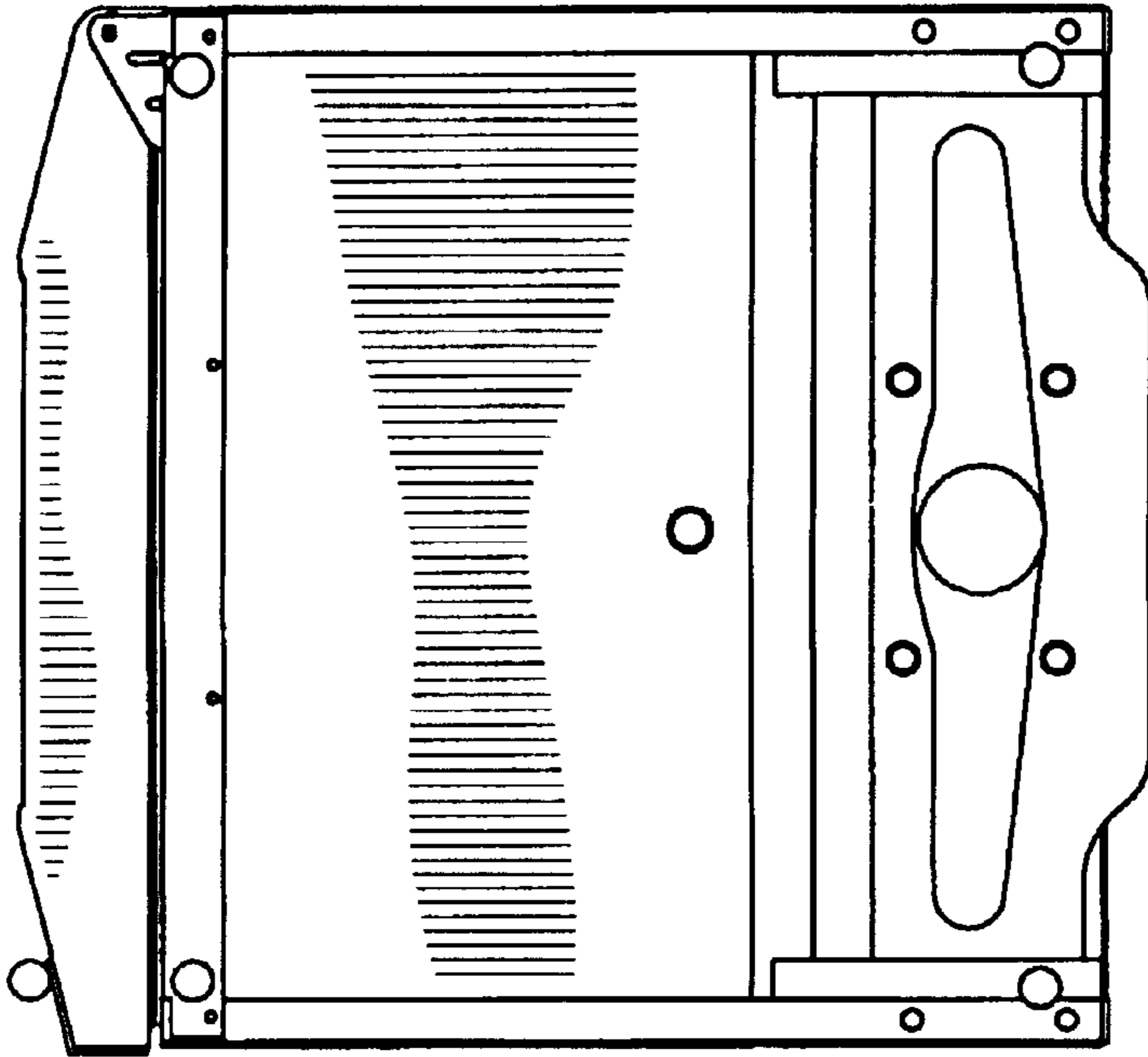


FIG-5