



US00D483775S

(12) **United States Design Patent**
Kuroki

(10) **Patent No.:** **US D483,775 S**

(45) **Date of Patent:** **** Dec. 16, 2003**

(54) **SEWING MACHINE**

(74) *Attorney, Agent, or Firm*—Niels & Lemack

(75) **Inventor:** **Nobuhusa Kuroki, Tokyo (JP)**

(57) **CLAIM**

(73) **Assignee:** **Janome Sewing Machine Co., Ltd., Tokyo (JP)**

The ornamental design for a sewing machine, as shown and described.

(**) **Term:** **14 Years**

DESCRIPTION

(21) **Appl. No.:** **29/174,985**

FIG. 1 is a first perspective view of the sewing machine of the present invention;

(22) **Filed:** **Jan. 28, 2003**

FIG. 2 is a second perspective view of the sewing machine of the present invention;

(30) **Foreign Application Priority Data**

Aug. 13, 2002 (JP) 2002-021764

FIG. 3 is a first side view of the sewing machine of the present invention;

(51) **LOC (7) Cl.** **15-06**

FIG. 4 is a second side view of the sewing machine of the present invention;

(52) **U.S. Cl.** **D15/69**

FIG. 5 is a top view of the sewing machine of the present invention;

(58) **Field of Search** D15/66, 69-72;
112/217.1-217.4, 256-261

FIG. 6 is a bottom view of the sewing machine of the present invention;

(56) **References Cited**

U.S. PATENT DOCUMENTS

- D281,979 S * 12/1985 Meier D15/69
- D321,353 S * 11/1991 Eguchi et al. D15/69
- D363,942 S * 11/1995 Chan D15/69
- D433,690 S * 11/2000 Kuroki D15/70
- D450,332 S * 11/2001 Kuroki et al. D15/69
- D450,719 S * 11/2001 Kuroki et al. D15/69
- D459,737 S * 7/2002 Kuroki D15/69

FIG. 7 is a front view of the sewing machine of the present invention;

FIG. 8 is a rear view of the sewing machine of the present invention; and

FIG. 9 is a sectional view of the sewing machine of the present invention cut by line 9—9 of FIG. 3 with the inside structure omitted; and,

FIG. 10 is a sectional view of the sewing machine of the present invention cut by line 10—10 of FIG. 3 with the inside structure omitted.

* cited by examiner

Primary Examiner—Mitchell Siegel

1 Claim, 4 Drawing Sheets

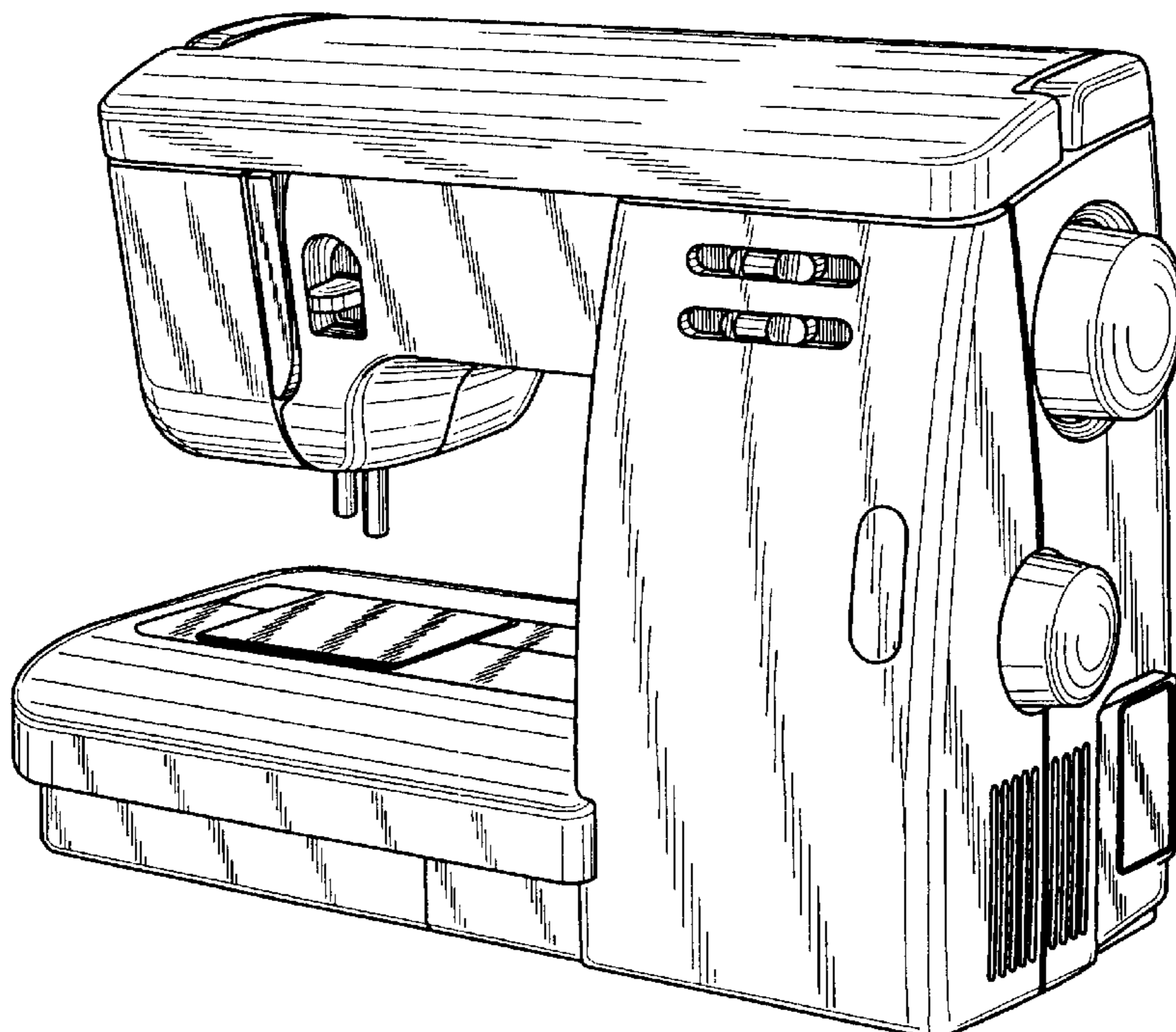


FIG. 1

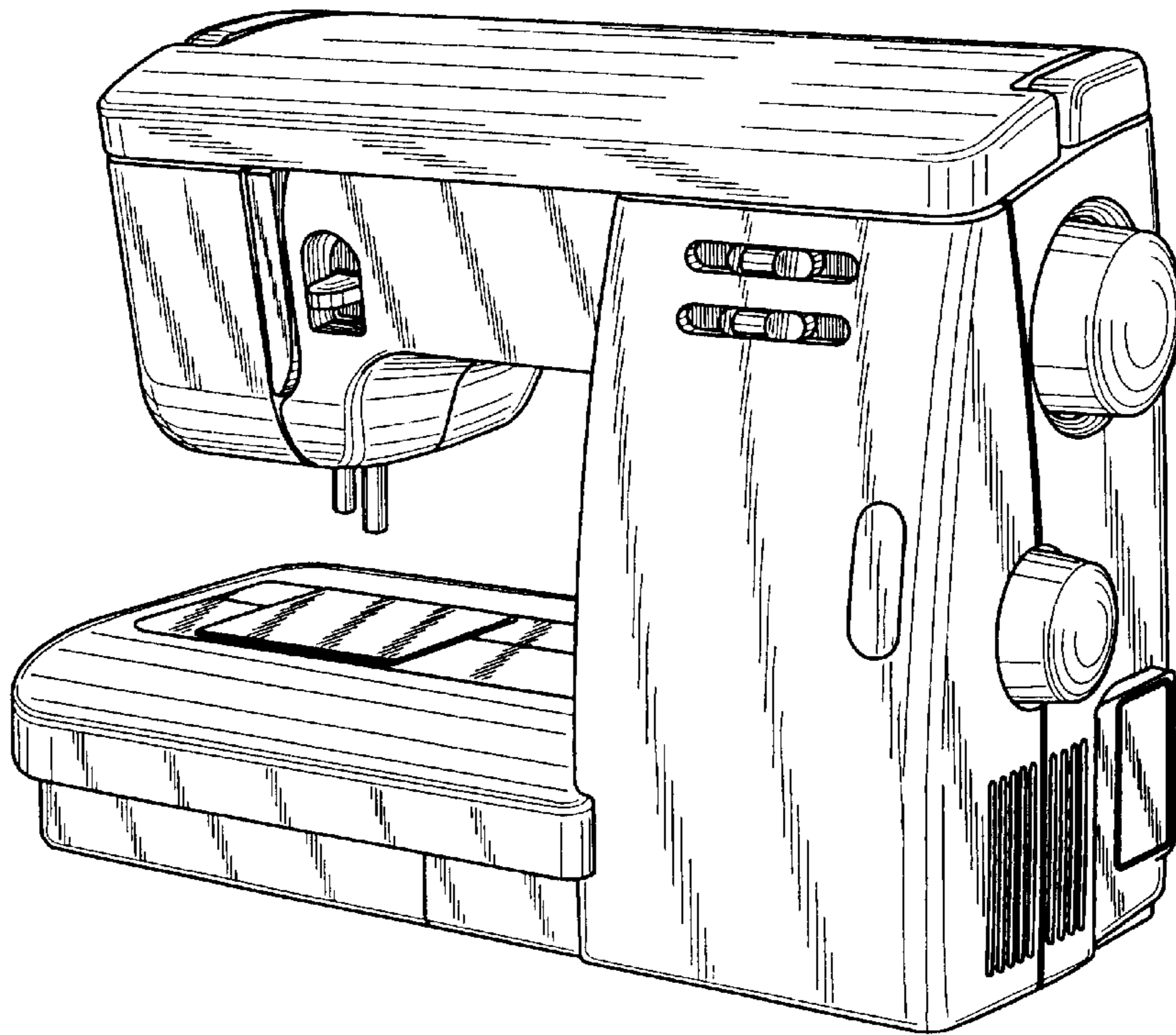


FIG. 2

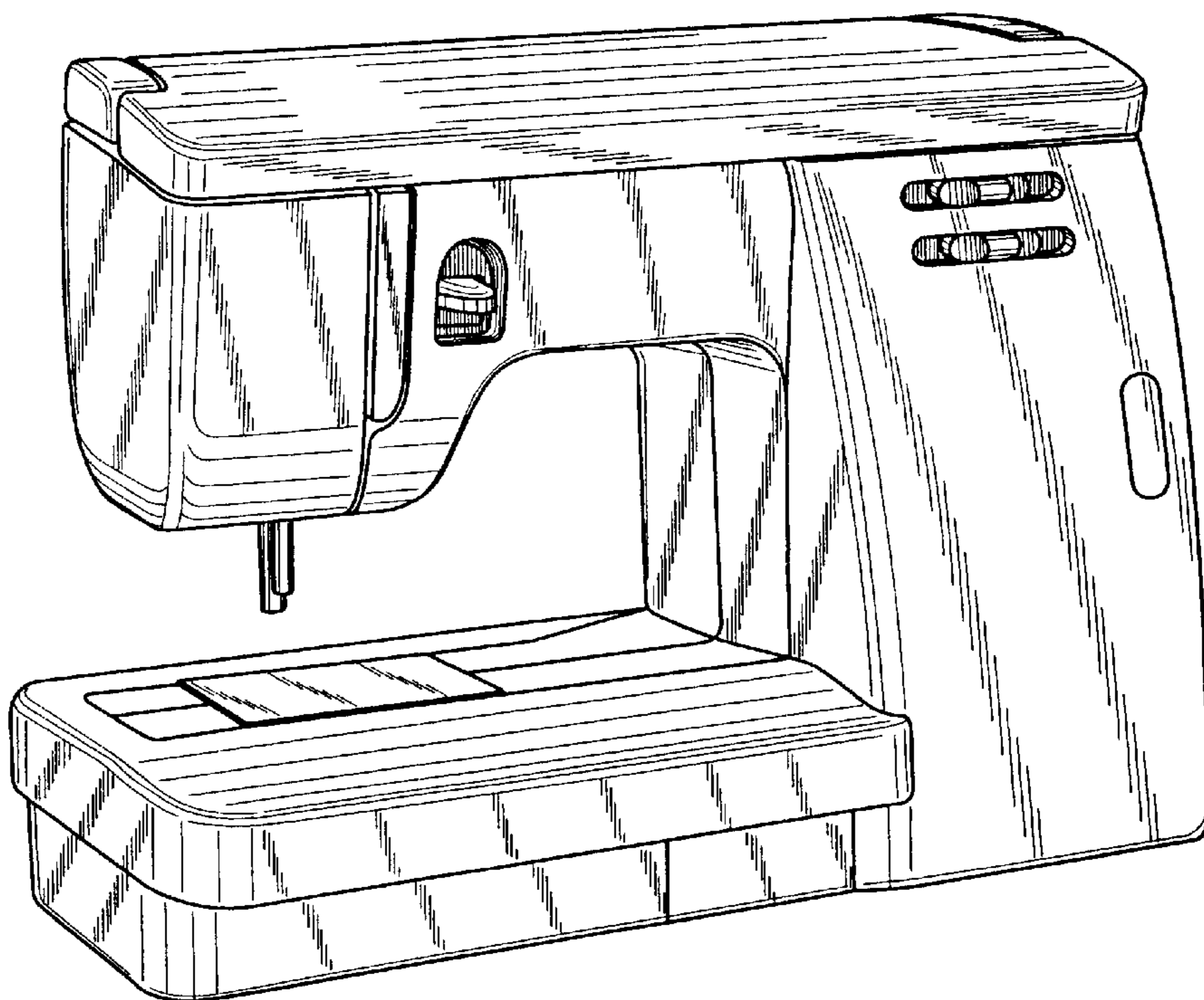


FIG. 3

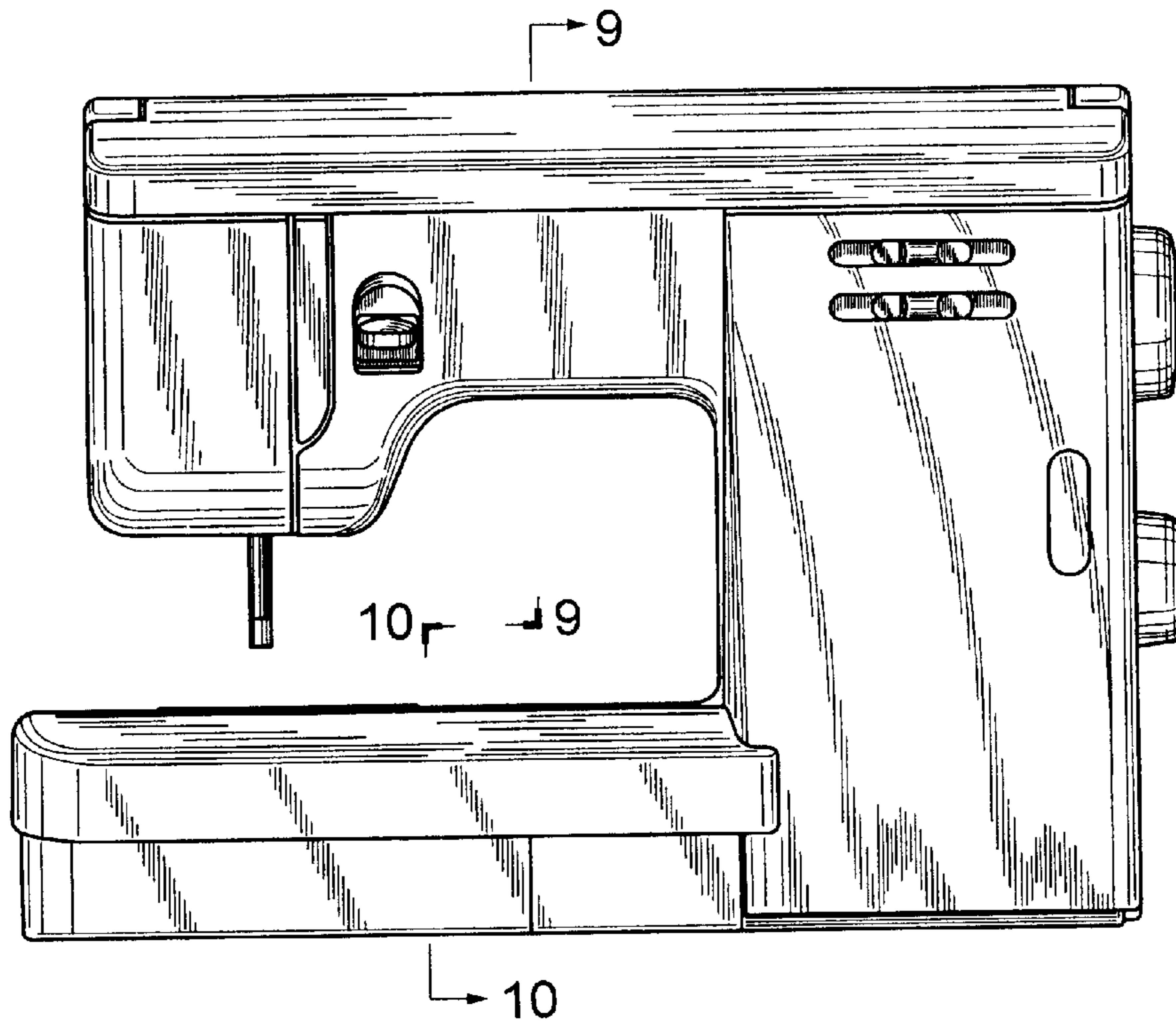


FIG. 4

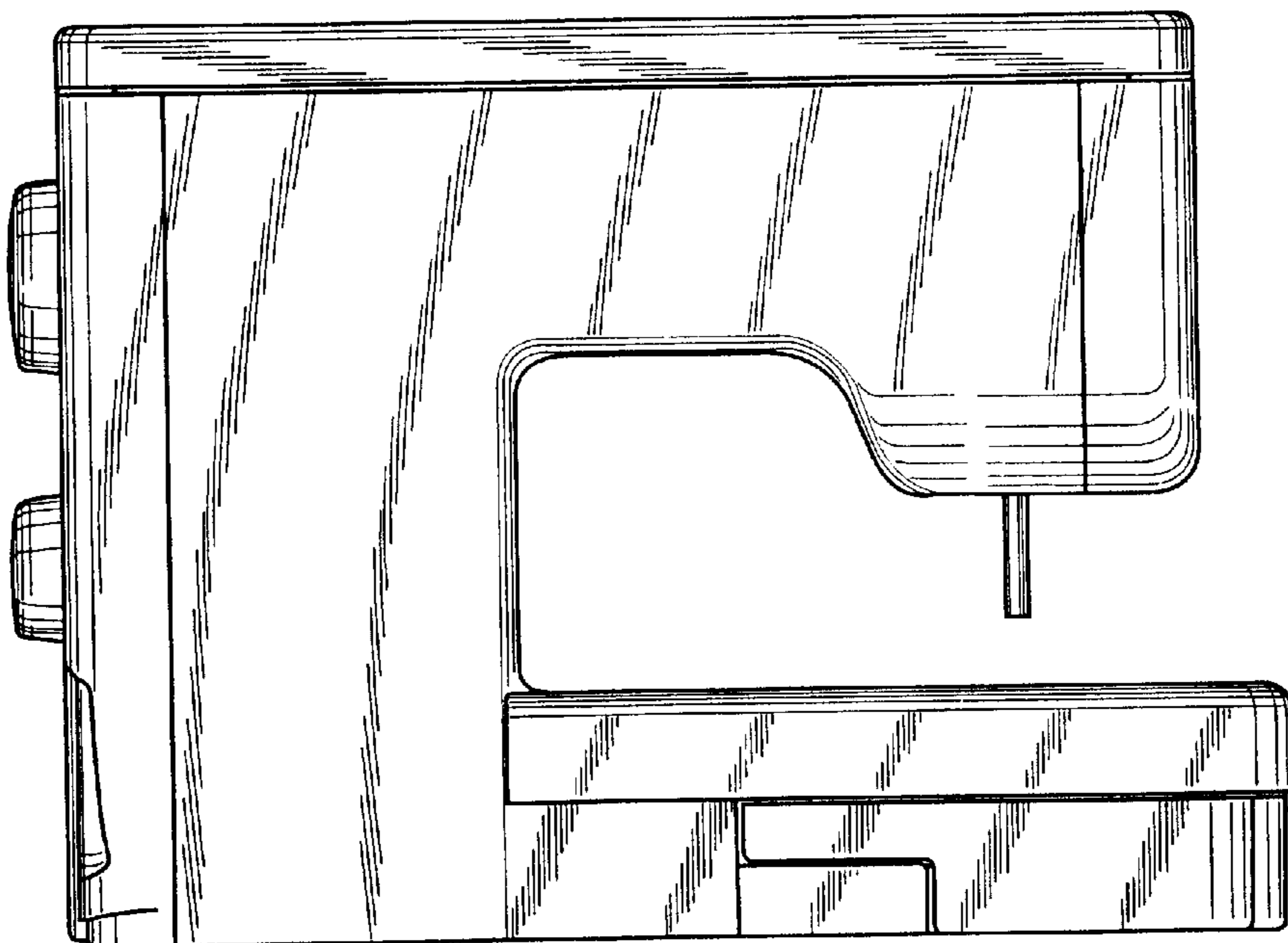


FIG. 5

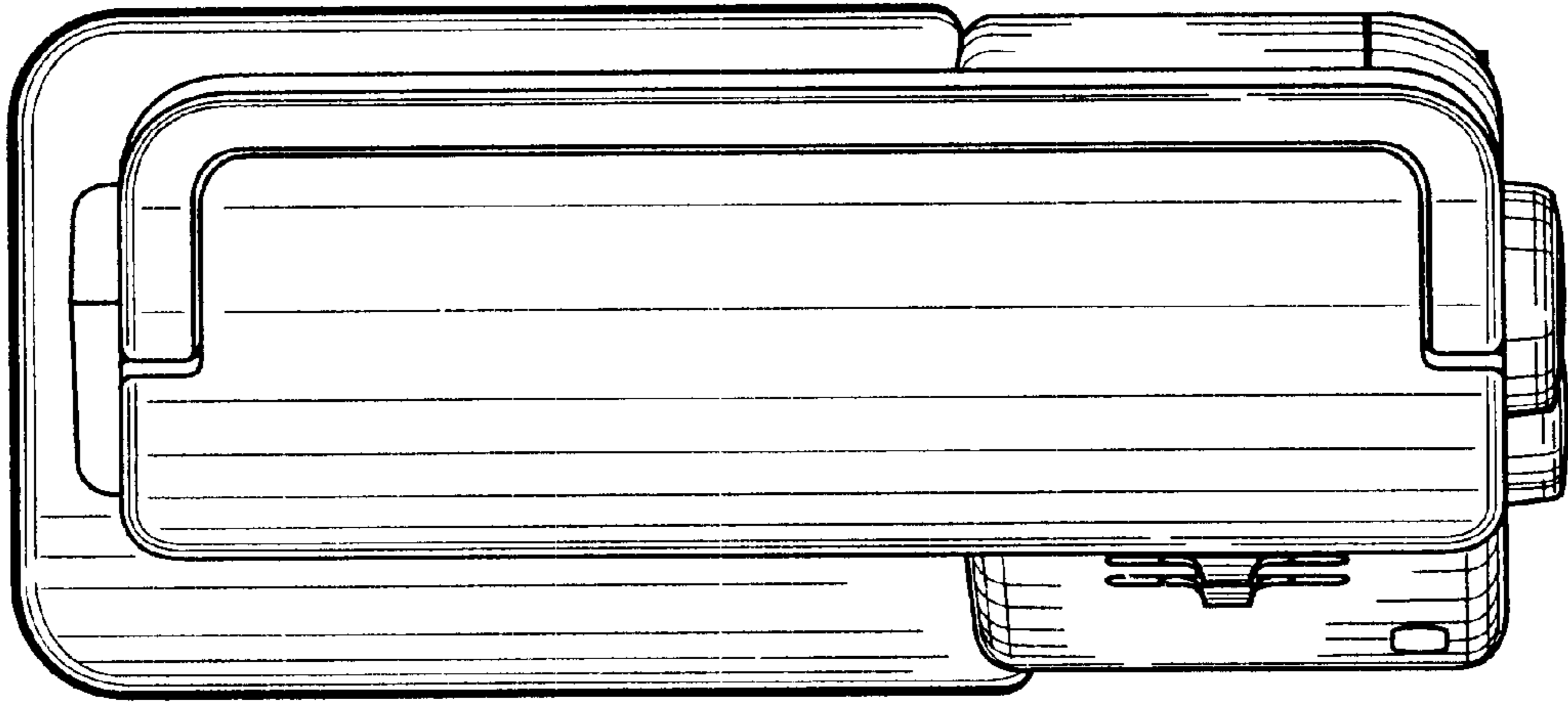


FIG. 6

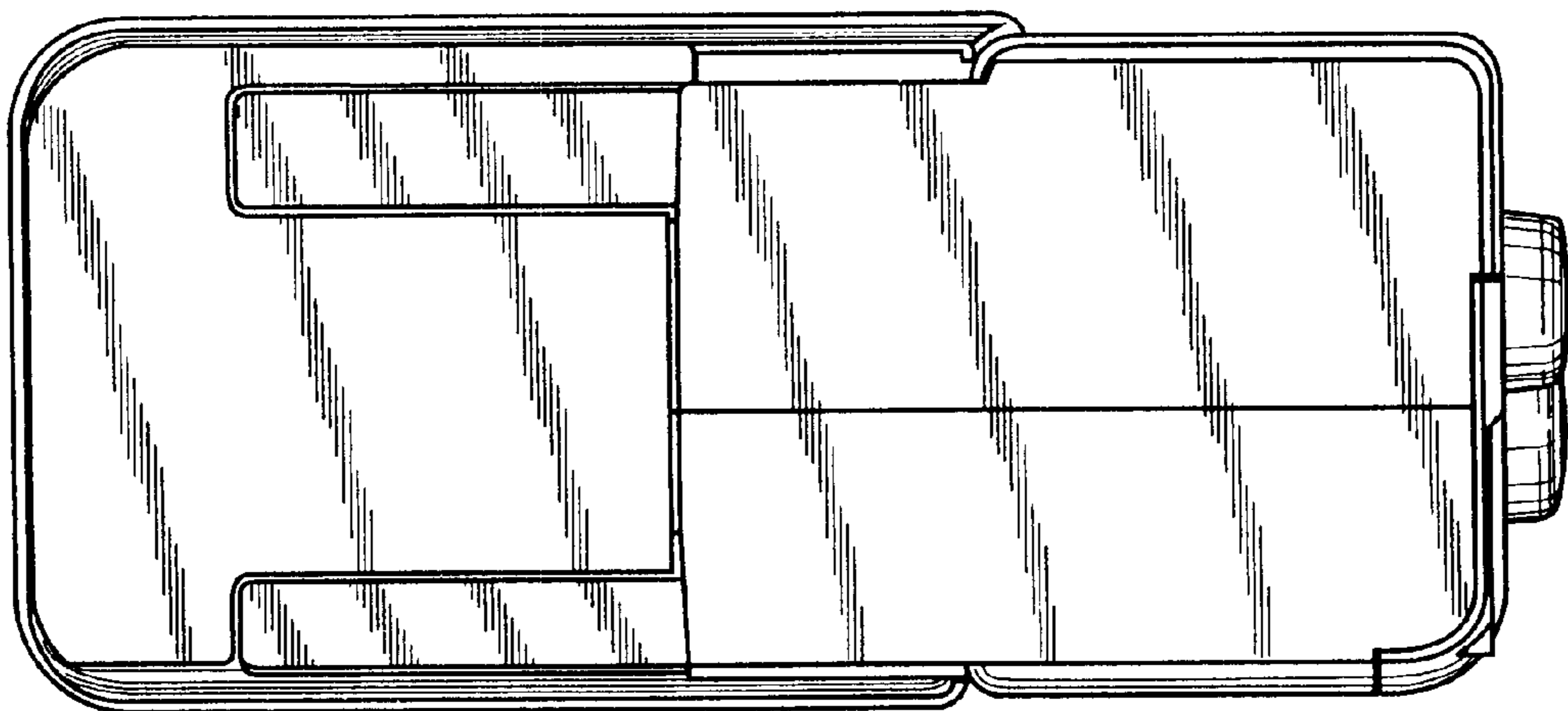


FIG. 7

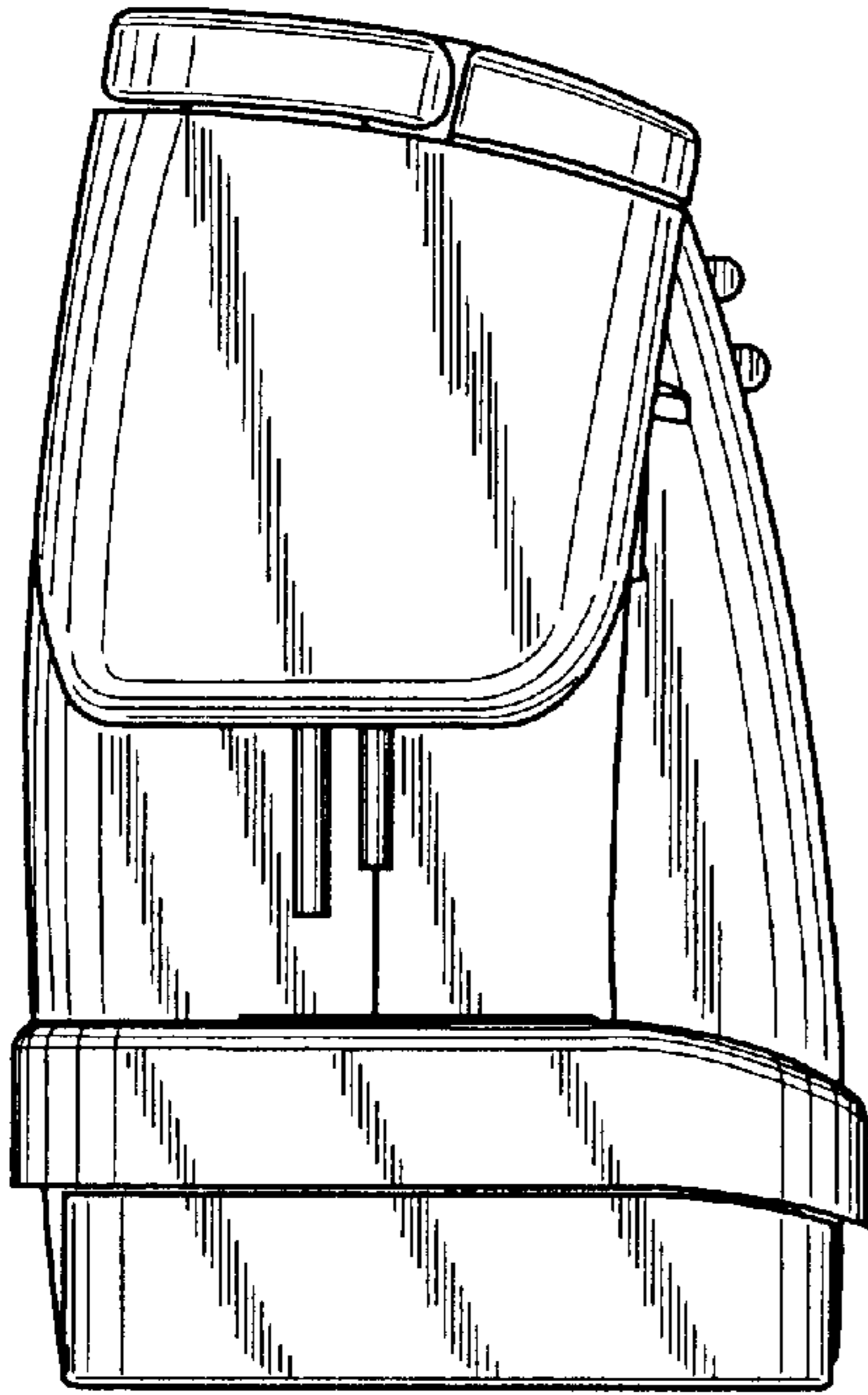


FIG. 8

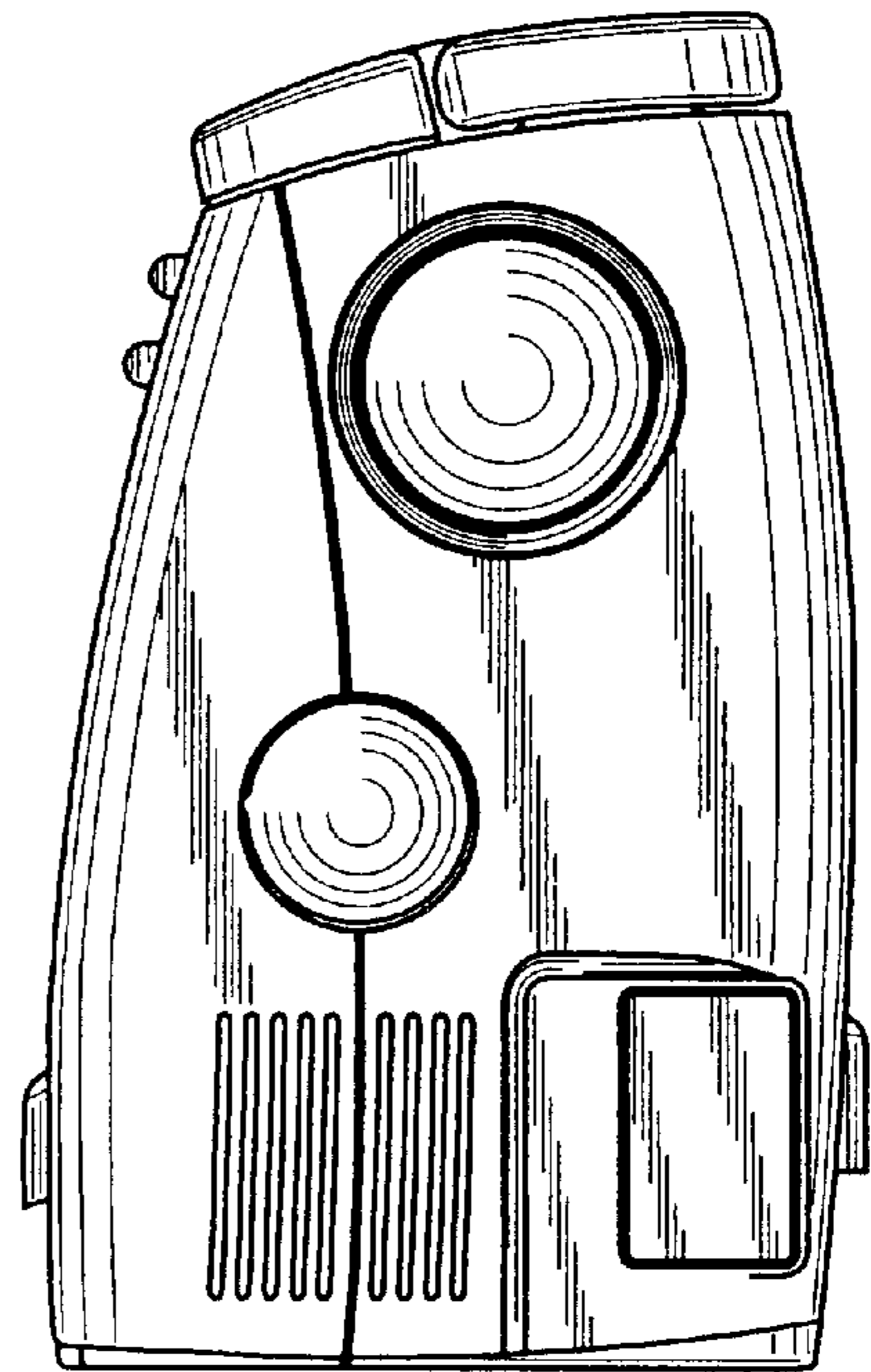


FIG. 9

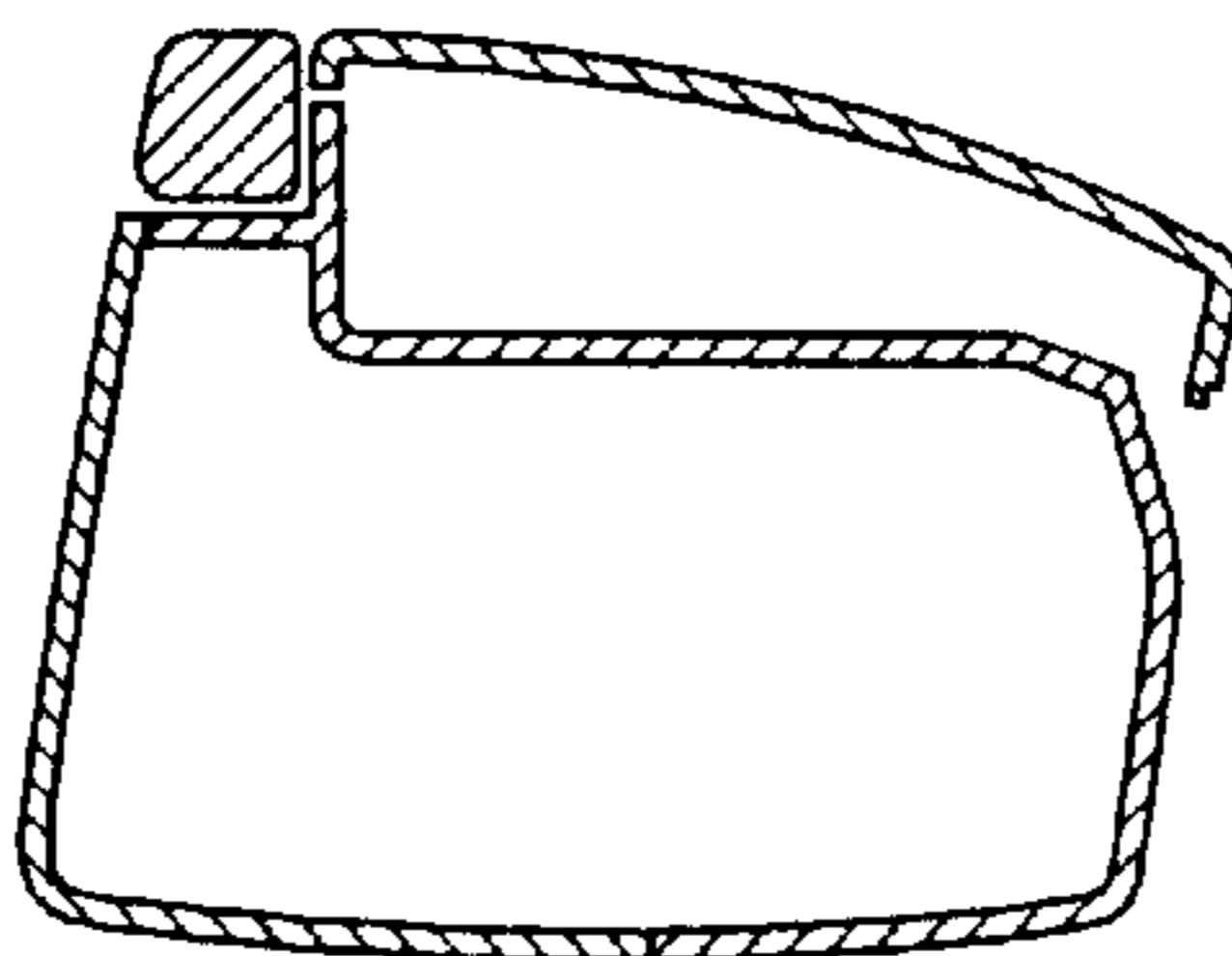


FIG. 10

