



US00D483772S

(12) **United States Design Patent**
Nonomura

(10) **Patent No.:** **US D483,772 S**

(45) **Date of Patent:** **** Dec. 16, 2003**

(54) **TAPE SPOOL FOR TAPE CARTRIDGE**

(75) **Inventor:** **Yoshihito Nonomura, Gifu (JP)**

(73) **Assignee:** **Brother Industries, Limited, Nagoya (JP)**

(**) **Term:** **14 Years**

(21) **Appl. No.:** **29/177,389**

(22) **Filed:** **Mar. 11, 2003**

Related U.S. Application Data

(62) Division of application No. 29/143,463, filed on Jun. 15, 2001, now Pat. No. Des. 475,717.

(30) **Foreign Application Priority Data**

Dec. 26, 2000 (JP) 2000-37035
Dec. 26, 2000 (JP) 2000-37038

(51) **LOC (7) Cl.** **14-99**

(52) **U.S. Cl.** **D14/484**

(58) **Field of Search** D14/474-484,
D14/496, 161, 164; 360/131, 137, 134,
132; 242/327, 335, 338, 348, 354, 358,
358.1, 343.2, 345.2, 347, 376, 377, 382,
382.6, 385, 899, DIG. 1, 118; 369/292

(56) **References Cited**

U.S. PATENT DOCUMENTS

3,542,303 A * 11/1970 Samual 242/326.4
3,685,767 A 8/1972 Kakiuchi et al. 242/354
3,897,027 A 7/1975 Bolick, Jr. 242/324
3,971,071 A * 7/1976 Urayama 242/335

4,449,676 A * 5/1984 Ogata et al. 242/345.2
4,452,407 A * 6/1984 Ogata et al. 360/132
4,496,118 A 1/1985 Oishi et al. 242/345
D277,567 S 2/1985 Ogata et al. D14/483
D277,568 S 2/1985 Ogata et al. D14/483
D282,357 S 1/1986 Gell D14/475
4,773,614 A 9/1988 Makino et al. 242/347
D352,305 S 11/1994 Cooper D14/475
D381,329 S * 7/1997 Urlik D14/483
5,645,242 A 7/1997 Kikuchi et al. 242/347
6,114,016 A 9/2000 Sasaki et al. 242/347

* cited by examiner

Primary Examiner—Prabhakar Deshmukh

(74) *Attorney, Agent, or Firm*—Oliff & Berridge, PLC

(57) **CLAIM**

The ornamental design for a tape spool for tape cartridge, as shown and described.

DESCRIPTION

FIG. 1 is a front view of a first embodiment for a tape spool for a tape cartridge;
FIG. 2 is a rear view thereof;
FIG. 3 is a left side view thereof;
FIG. 4 is a right side view thereof;
FIG. 5 is a top view thereof.
FIG. 6 is a bottom view thereof;
FIG. 7 is a perspective view thereof; and,
FIG. 8 is a perspective view thereof, showing the tape spool mounted in a tape cartridge.
The broken line showing of a cartridge is for illustrative purposes only and forms no part of the claimed design.

1 Claim, 4 Drawing Sheets

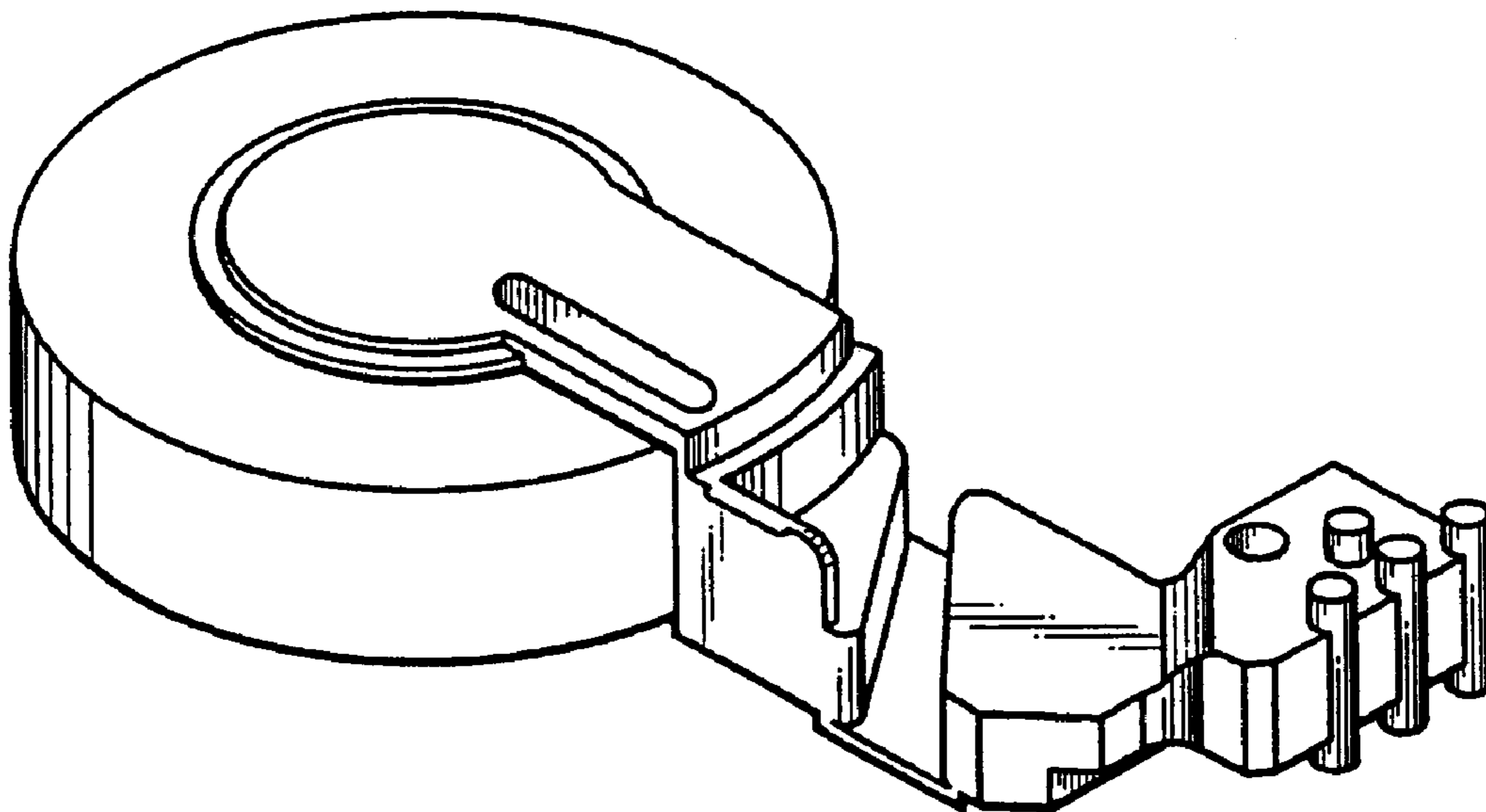


FIG. 1

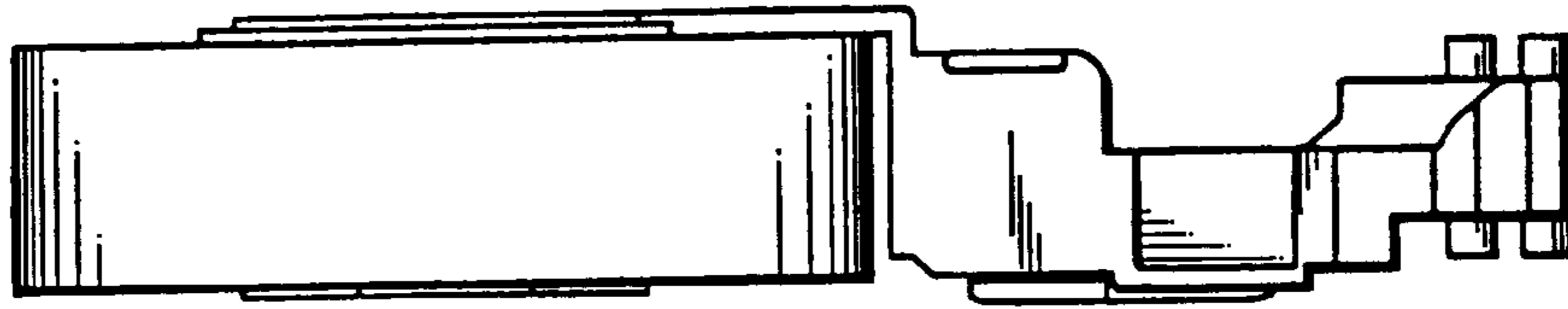


FIG. 2

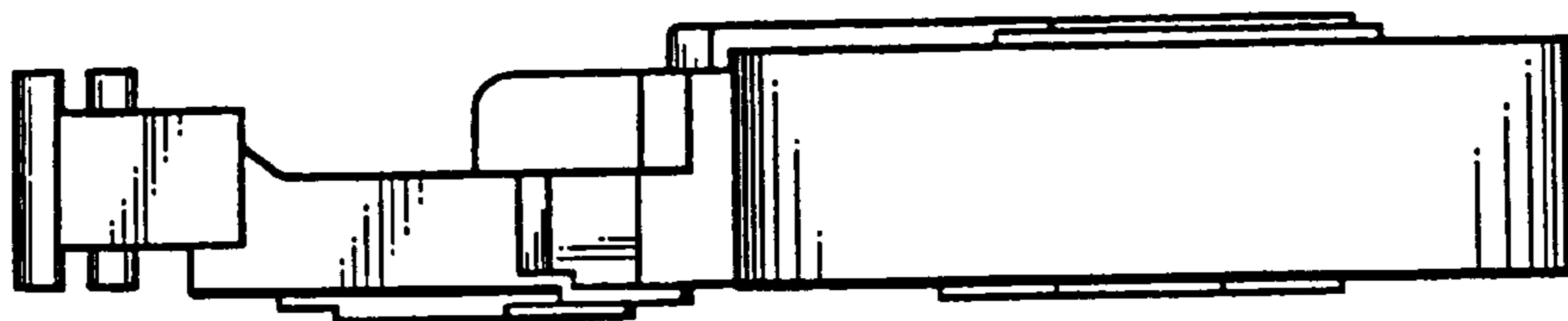


FIG. 3

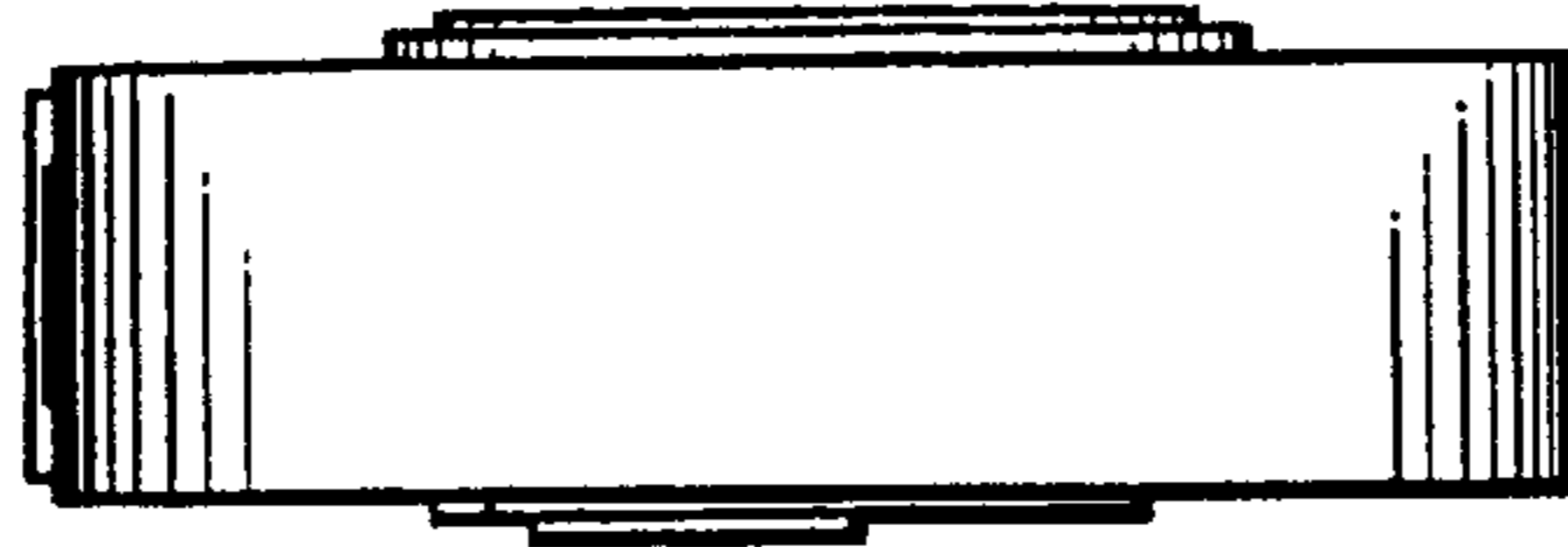


FIG. 4

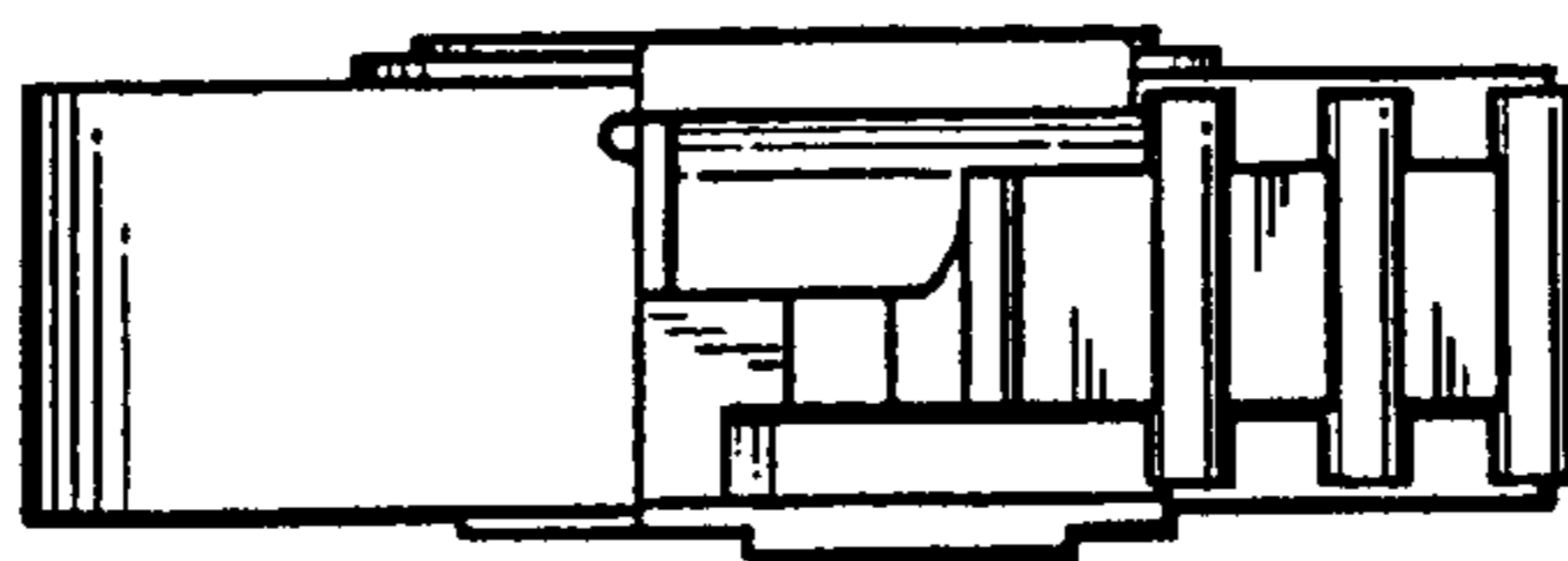


FIG. 5

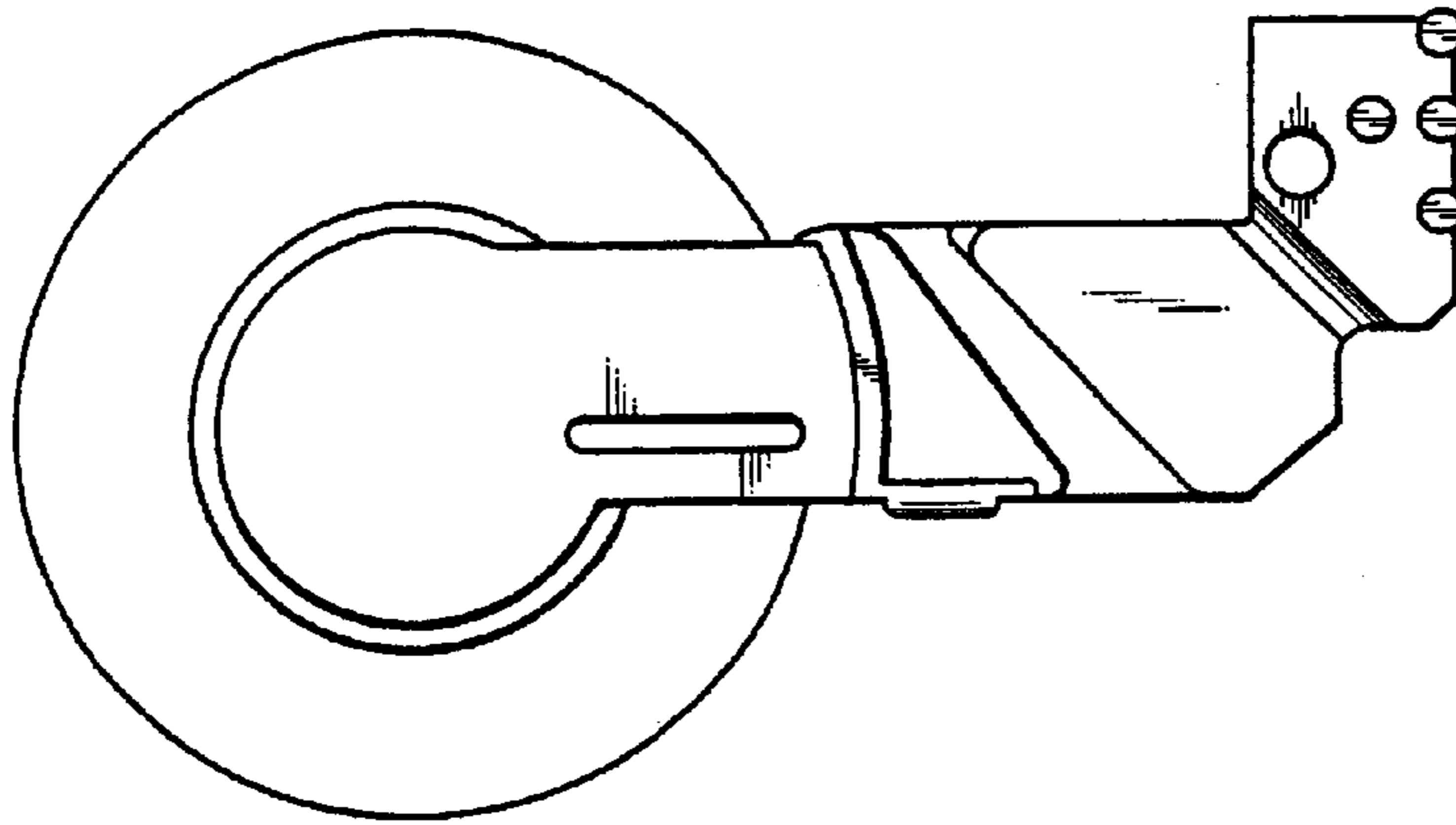


FIG. 6

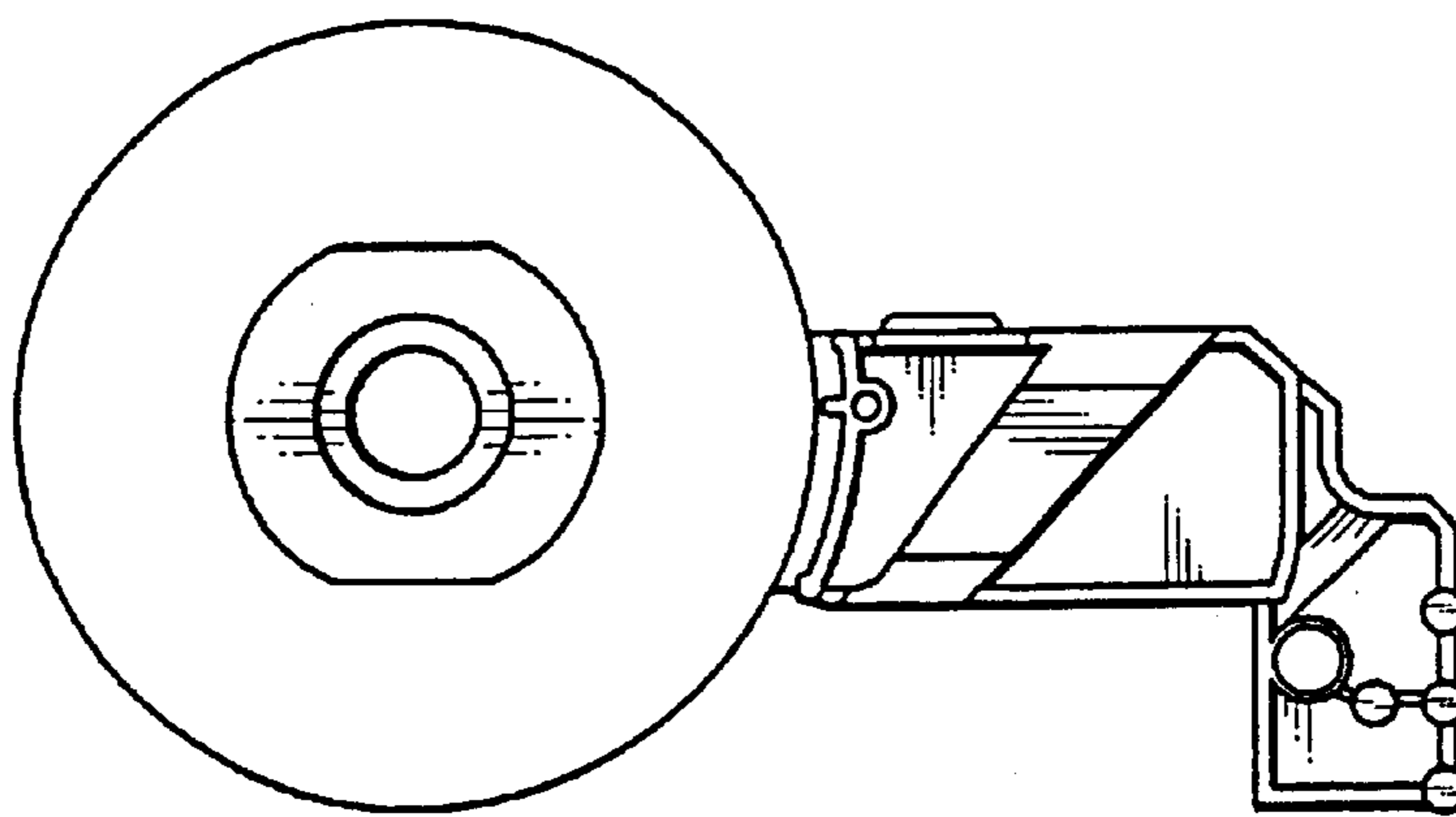


FIG. 7

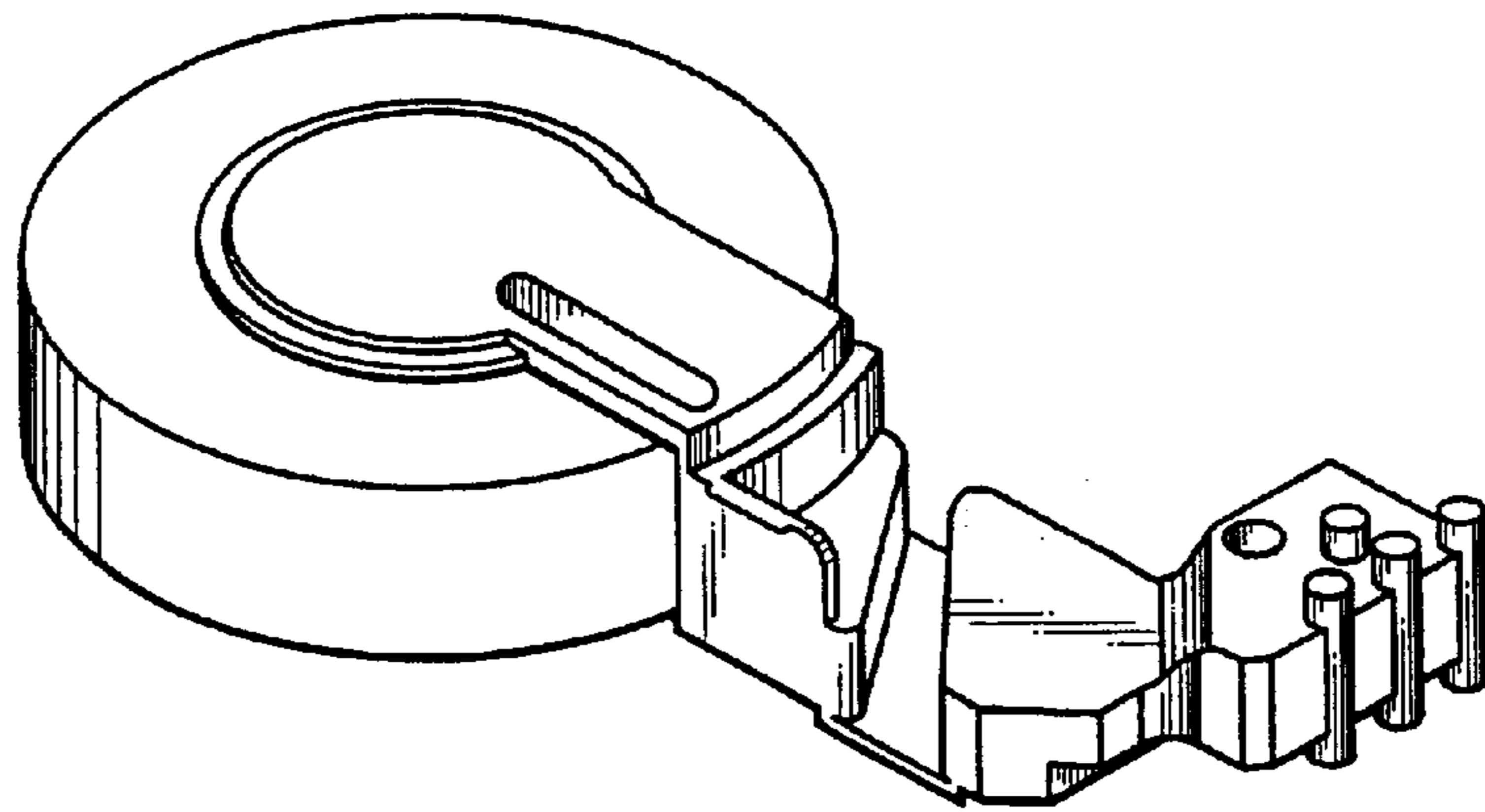


FIG. 8

