



US00D483767S

(12) **United States Design Patent**
Green et al.

(10) **Patent No.:** **US D483,767 S**

(45) **Date of Patent:** **** Dec. 16, 2003**

(54) **COMPUTER LAPTOP STAND**

(75) Inventors: **Andrew Green**, Nashville, TN (US);
Paul Griffin, Nashville, TN (US)

(73) Assignee: **Griffin Technology, Inc.**, Nashville, TN (US)

(**) Term: **14 Years**

(21) Appl. No.: **29/183,255**

(22) Filed: **Jun. 9, 2003**

(51) **LOC (7) Cl.** **14-02**

(52) **U.S. Cl.** **D14/451; D14/447**

(58) **Field of Search** D14/432, 439,
D14/447, 448, 451, 457; 248/676, 918,
639, 460; D6/462, 487, 499, 566

(56) **References Cited**

U.S. PATENT DOCUMENTS

4,313,589 A * 2/1982 Vega 248/558
D344,076 S * 2/1994 Zahabi D14/447

D361,447 S * 8/1995 Moore D6/462

D390,209 S * 2/1998 Dials et al. D14/451

D409,992 S * 5/1999 Mockett D14/451

* cited by examiner

Primary Examiner—Kay H. Chin

(74) *Attorney, Agent, or Firm*—Michael E. McKee

(57) **CLAIM**

The ornamental design for a computer laptop stand, as shown and described.

DESCRIPTION

FIG. 1 is a perspective view of a computer laptop stand showing our new design;

FIG. 2 is back elevational view thereof;

FIG. 3 is a front elevational view thereof;

FIG. 4 is a side elevational view thereof, the opposite side elevational view being a mirror image of that shown;

FIG. 5 is a top view thereof; and,

FIG. 6 is a bottom view thereof.

1 Claim, 3 Drawing Sheets

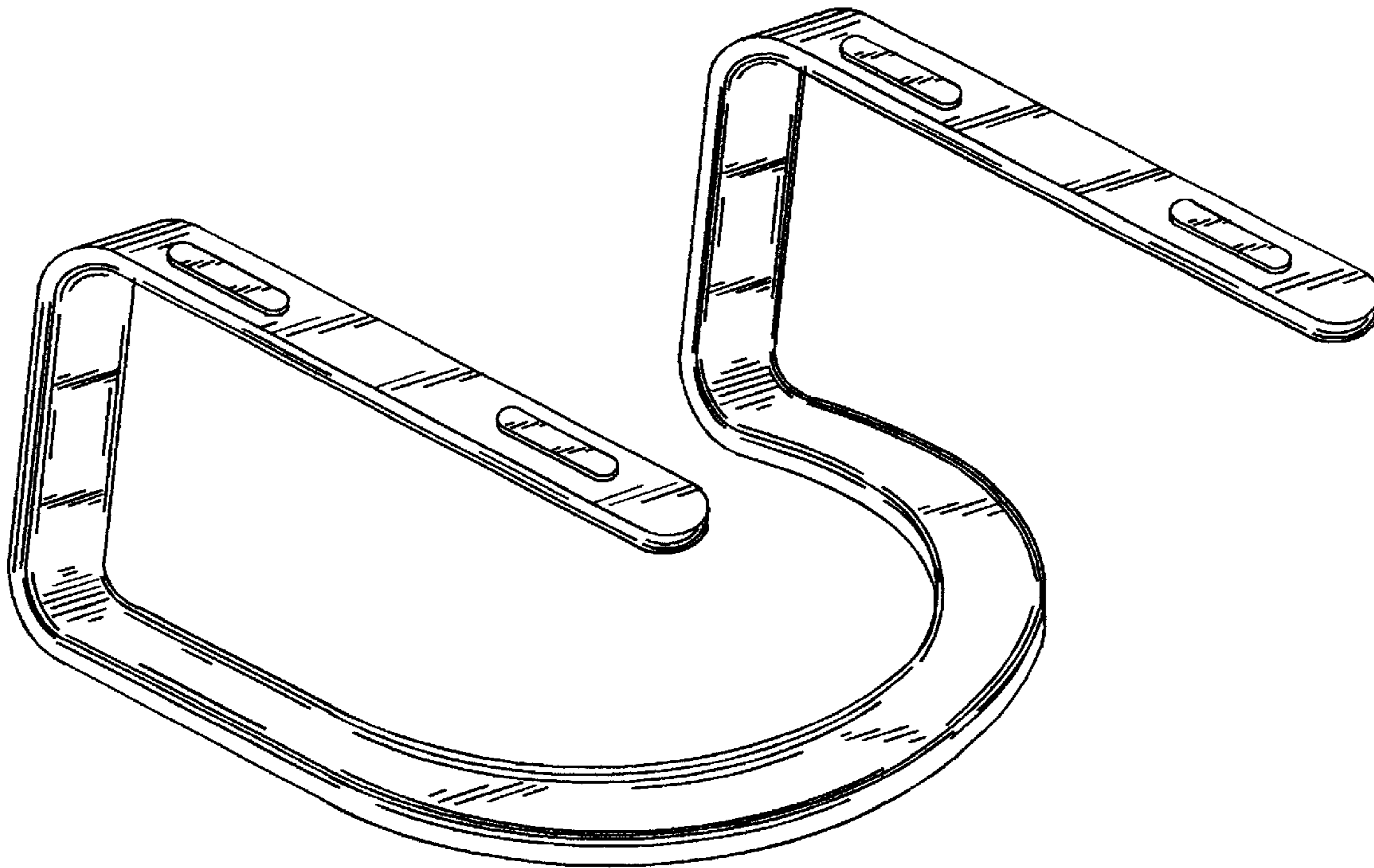


FIG. 1

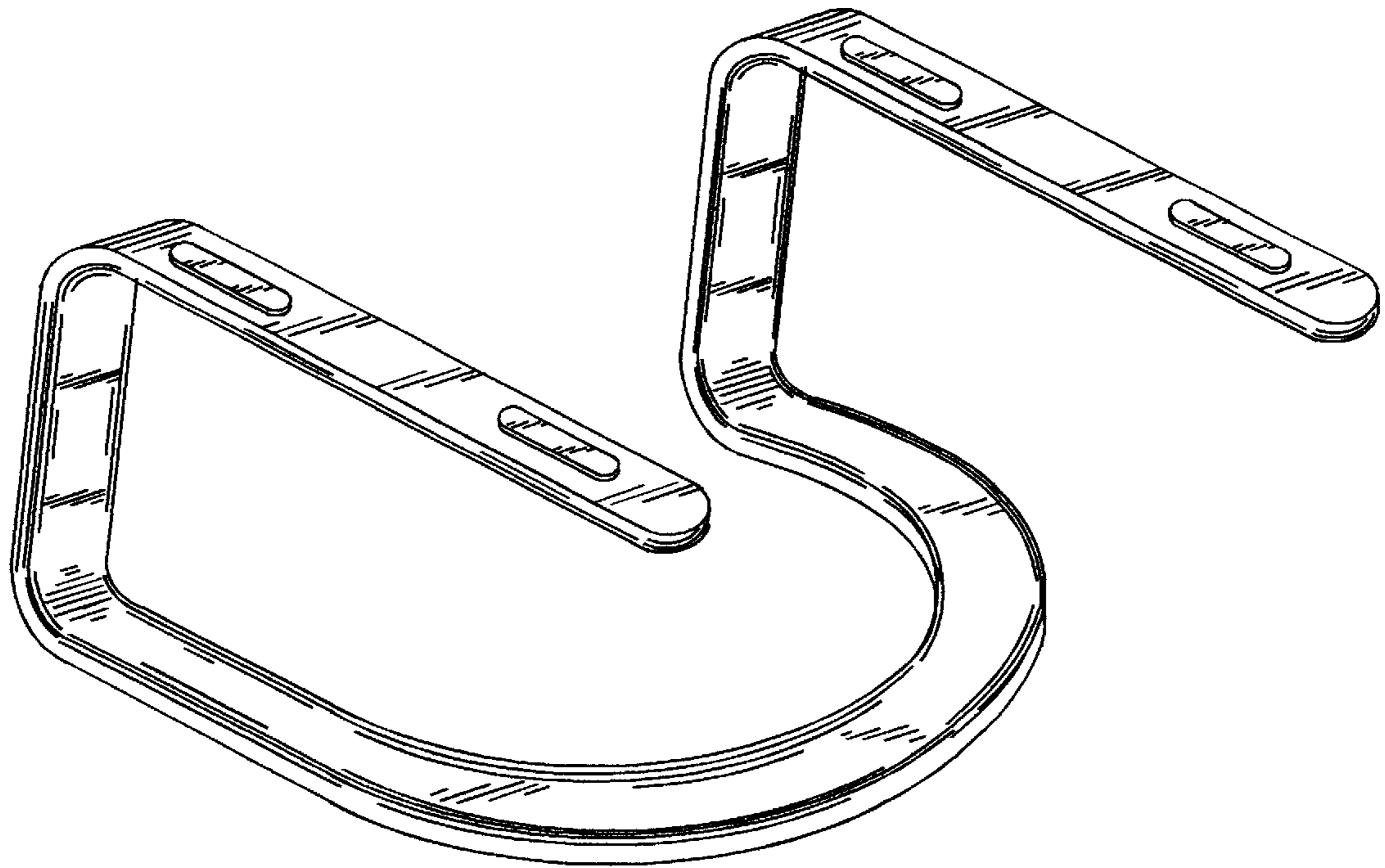


FIG. 4

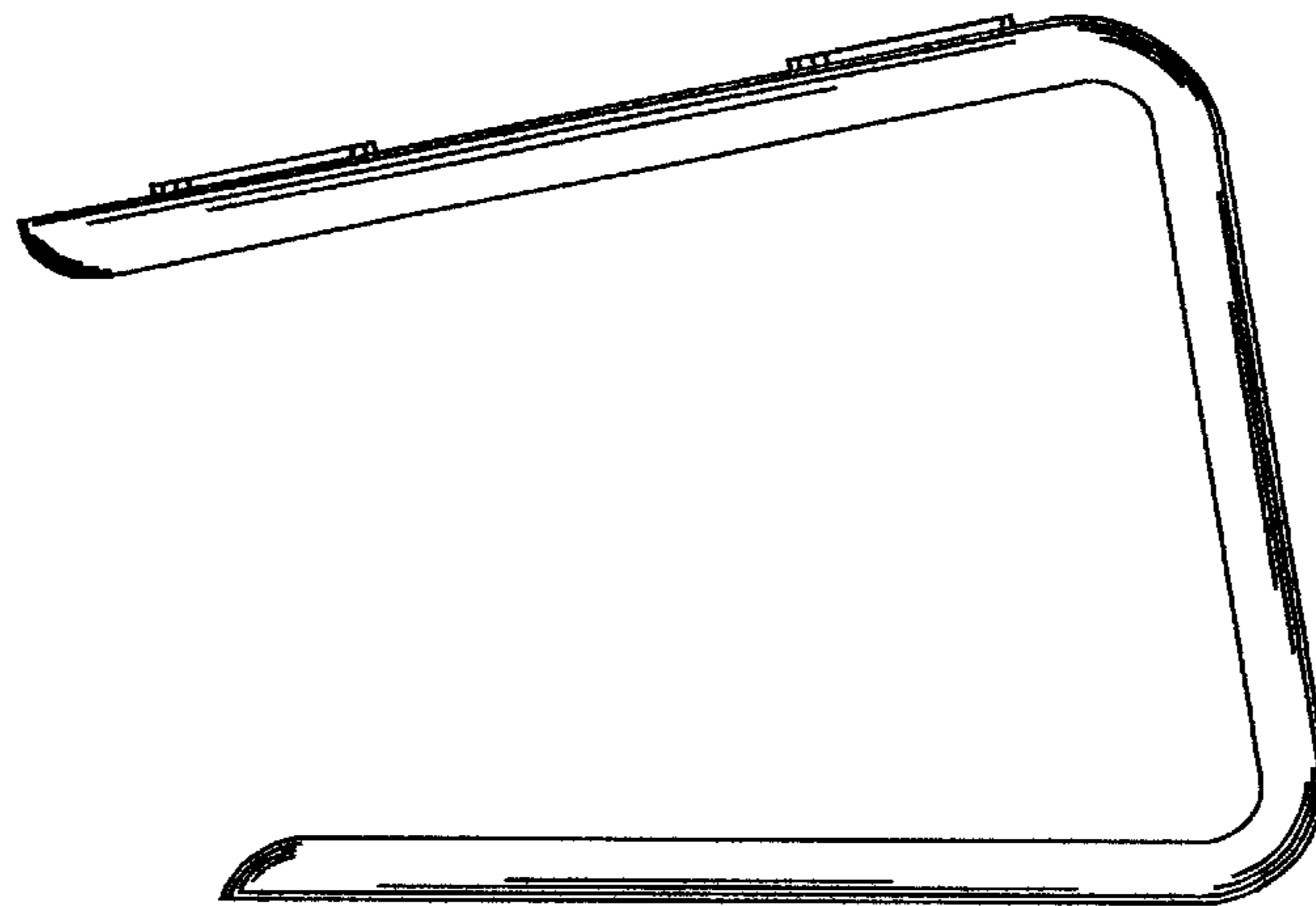


FIG. 2

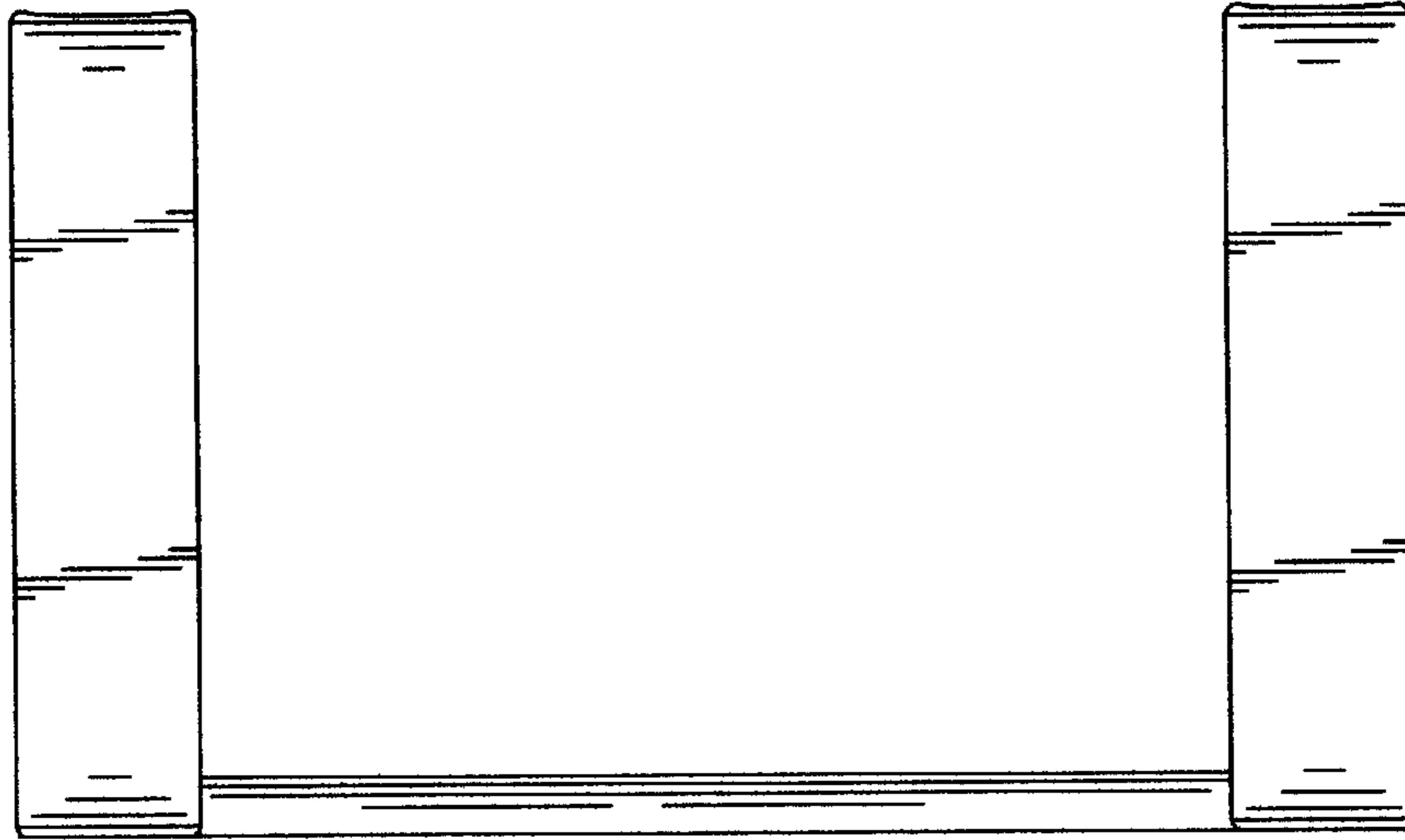


FIG. 3

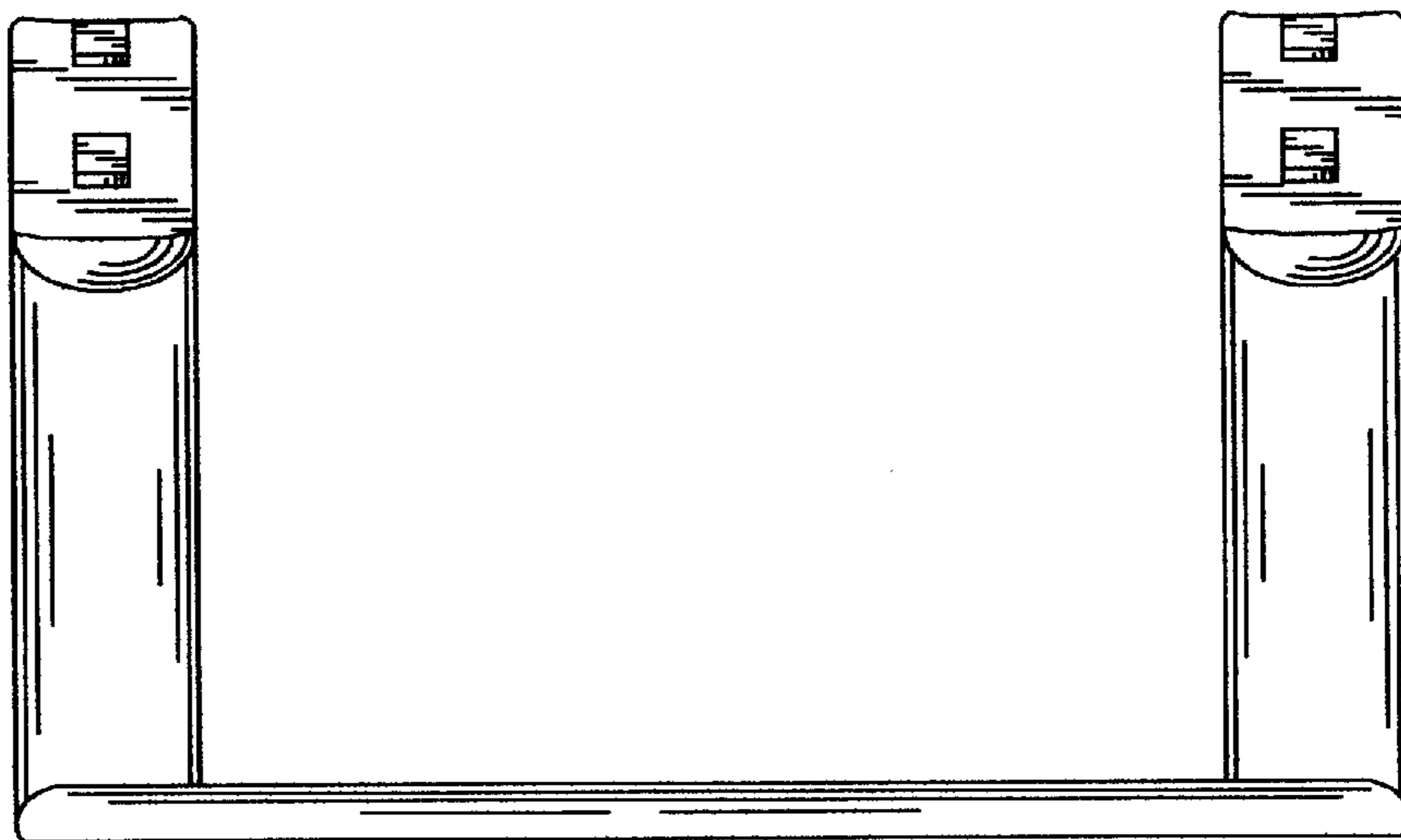


FIG. 5

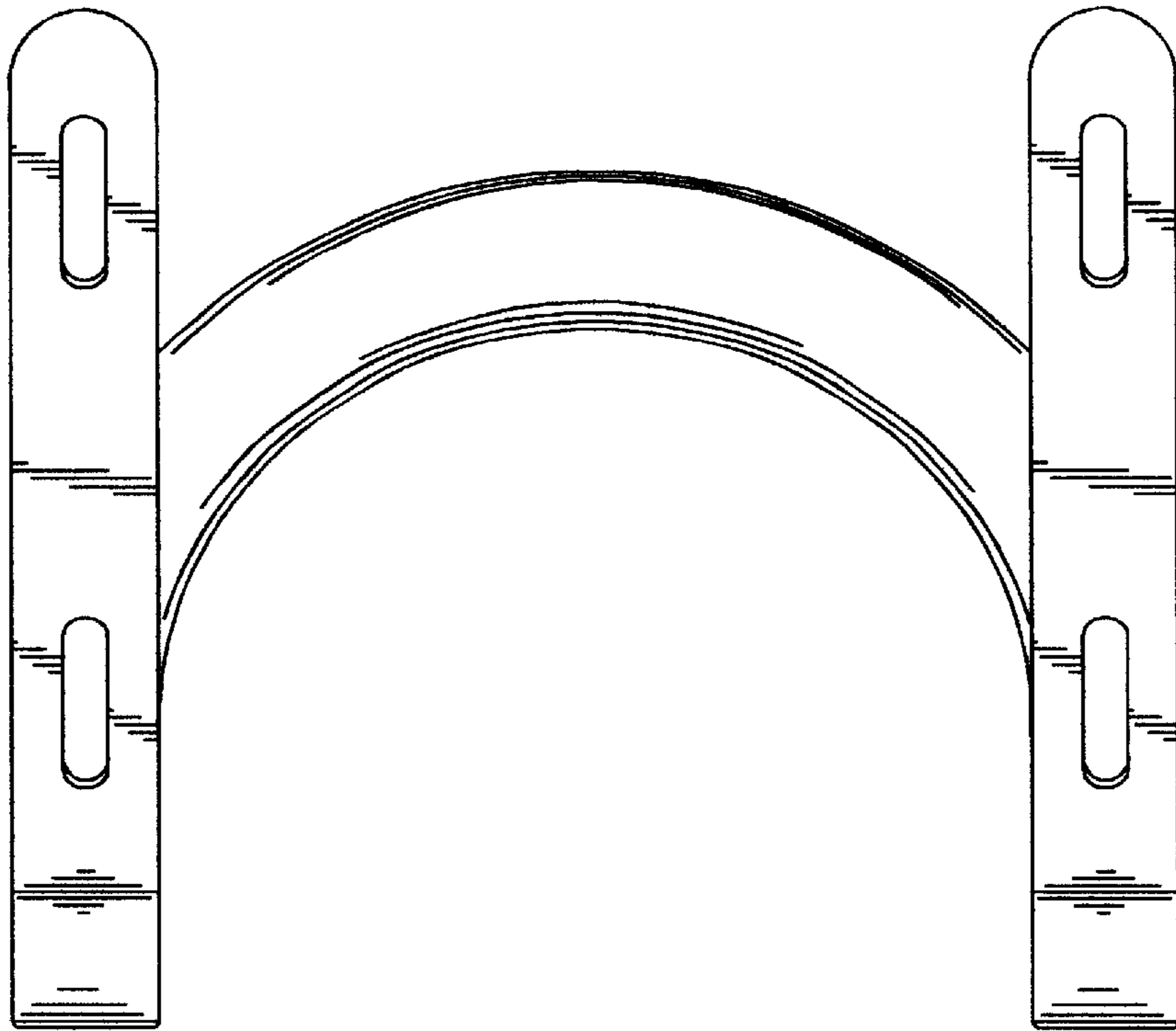


FIG. 6

