



US00D483766S

(12) **United States Design Patent**
Mundt

(10) **Patent No.:** **US D483,766 S**

(45) **Date of Patent:** **** Dec. 16, 2003**

(54) **SINGLE DOOR COMPUTER BLADE COVER**

D432,541 S * 10/2000 McIlvaine D14/441

* cited by examiner

(75) Inventor: **Kevin Warren Mundt**, Spring, TX
(US)

Primary Examiner—Kay H. Chin

(73) Assignee: **Panasas, Inc.**, Pittsburgh, PA (US)

(74) *Attorney, Agent, or Firm*—Morgan, Lewis & Bockius
LLP

(**) Term: **14 Years**

(57) **CLAIM**

(21) Appl. No.: **29/182,490**

The ornamental design for a single door computer blade cover, as shown and described.

(22) Filed: **May 28, 2003**

DESCRIPTION

(51) **LOC (7) Cl.** **14-02**

FIG. 1 is a front perspective view of a two door computer blade cover in accordance with the invention;

(52) **U.S. Cl.** **D14/440**

FIG. 2 is a front view of a single door computer blade cover;

(58) **Field of Search** D14/432, 439,
D14/440, 441, 442, 443; 361/684, 724;
360/99.06

FIG. 3 is a top view of a single door computer blade cover;

FIG. 4 is a bottom view of a single door computer blade cover; and,

FIGS. 5 and 6 are side views of a single door computer blade cover.

(56) **References Cited**

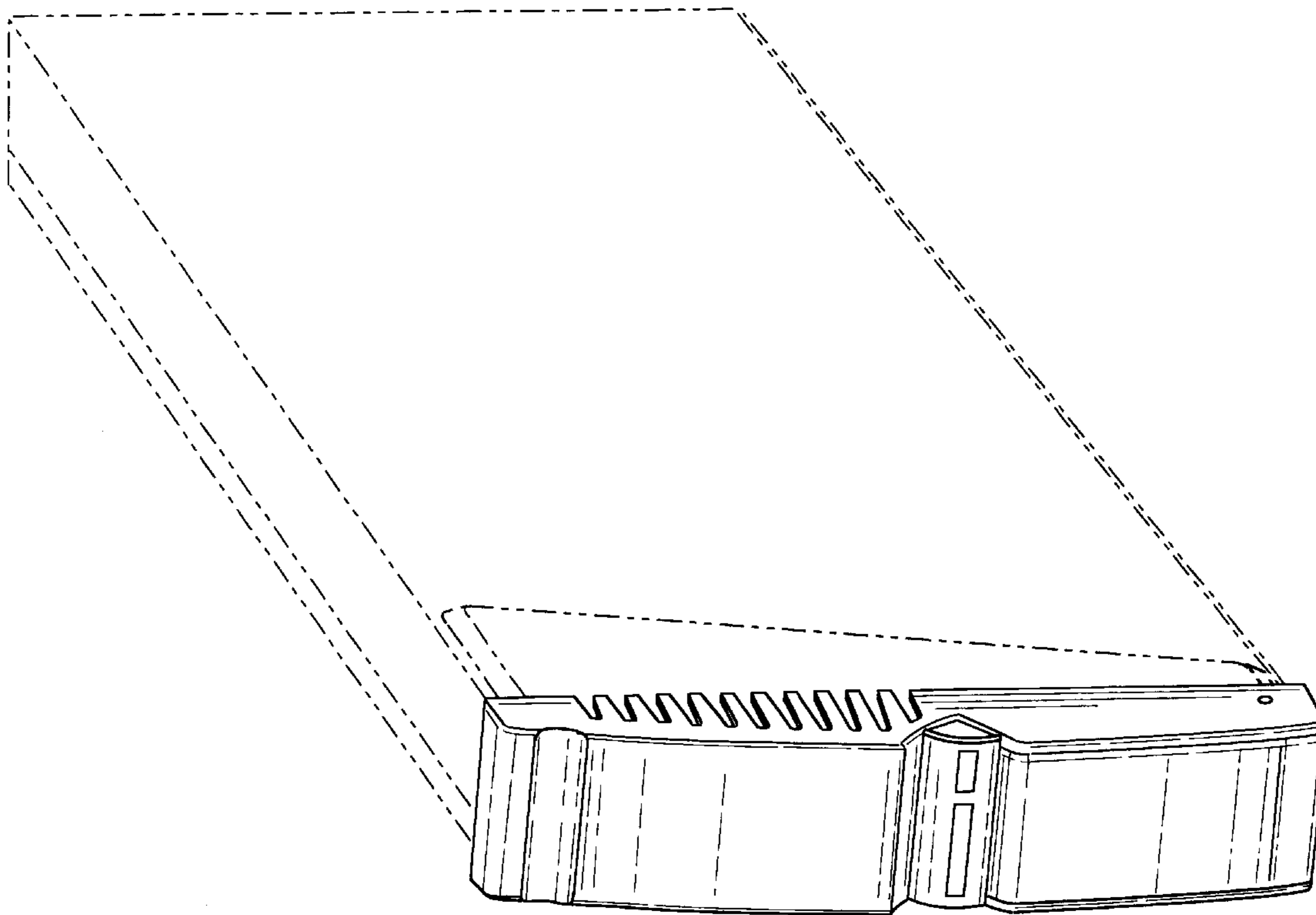
U.S. PATENT DOCUMENTS

No ornamental feature is being claimed with respect to the rear view which accordingly is not shown.

D402,680 S * 12/1998 Gotham et al. D16/246

D411,991 S * 7/1999 Khoo D14/442

1 Claim, 4 Drawing Sheets



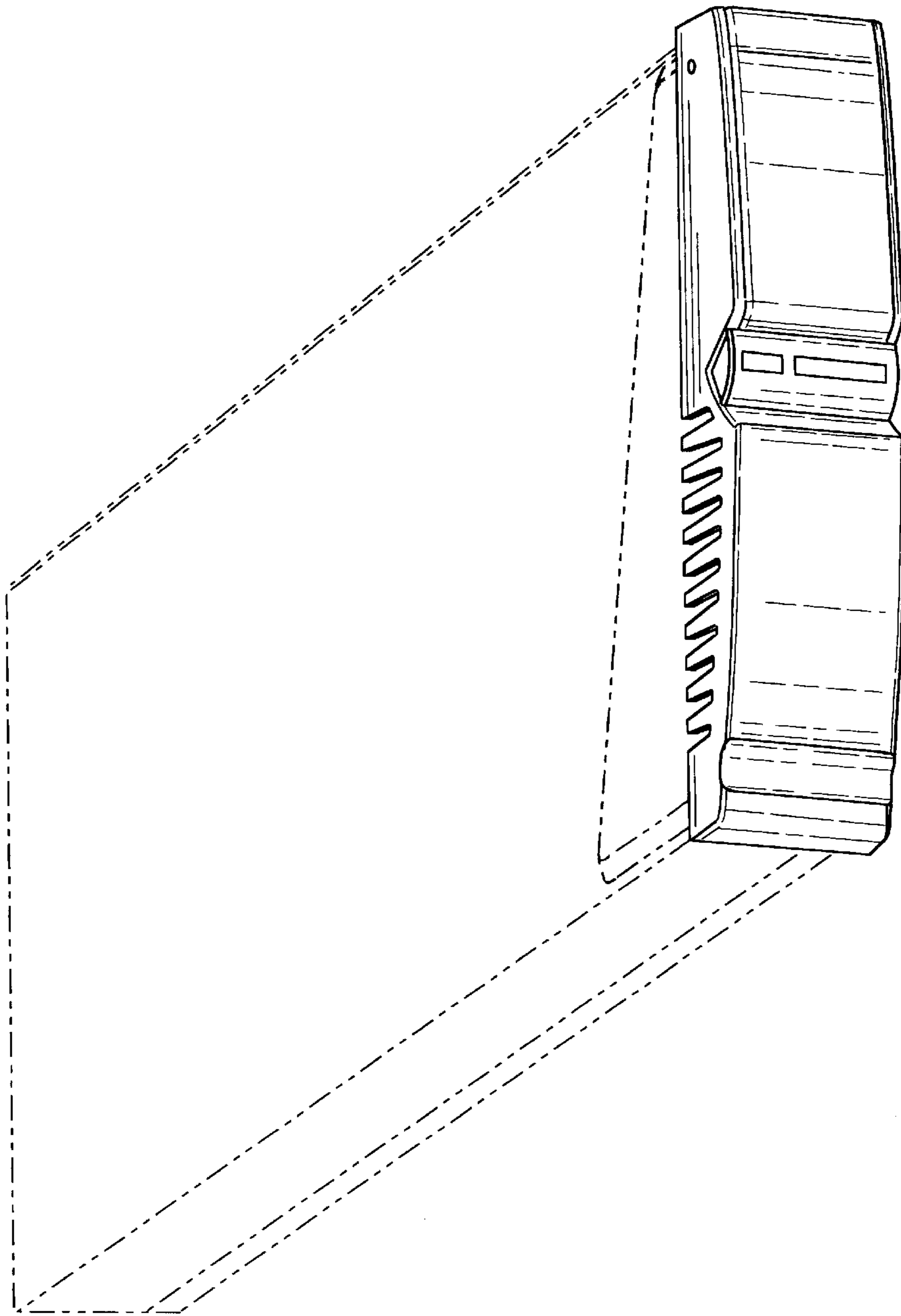


FIG. 1

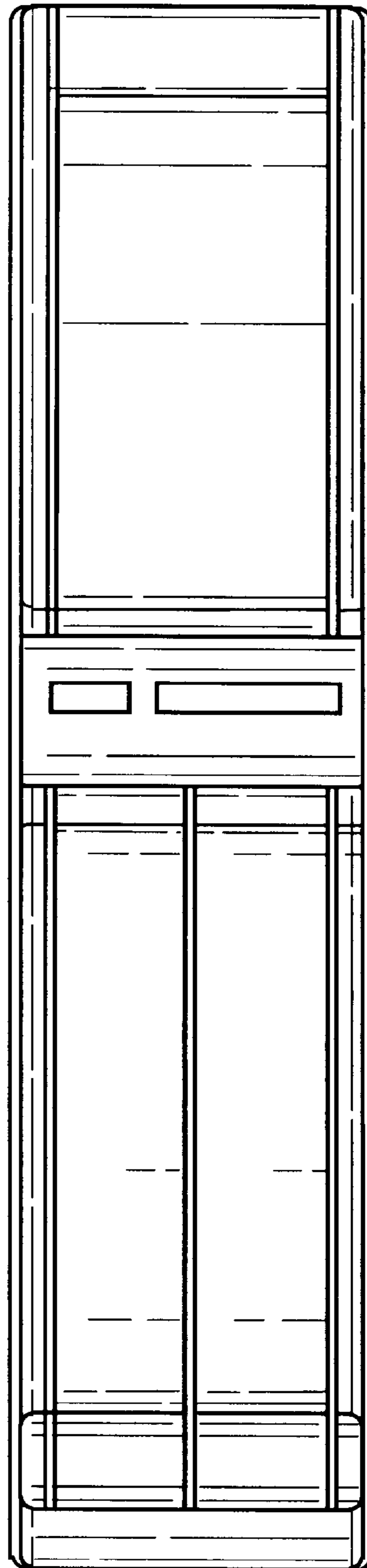


FIG. 2

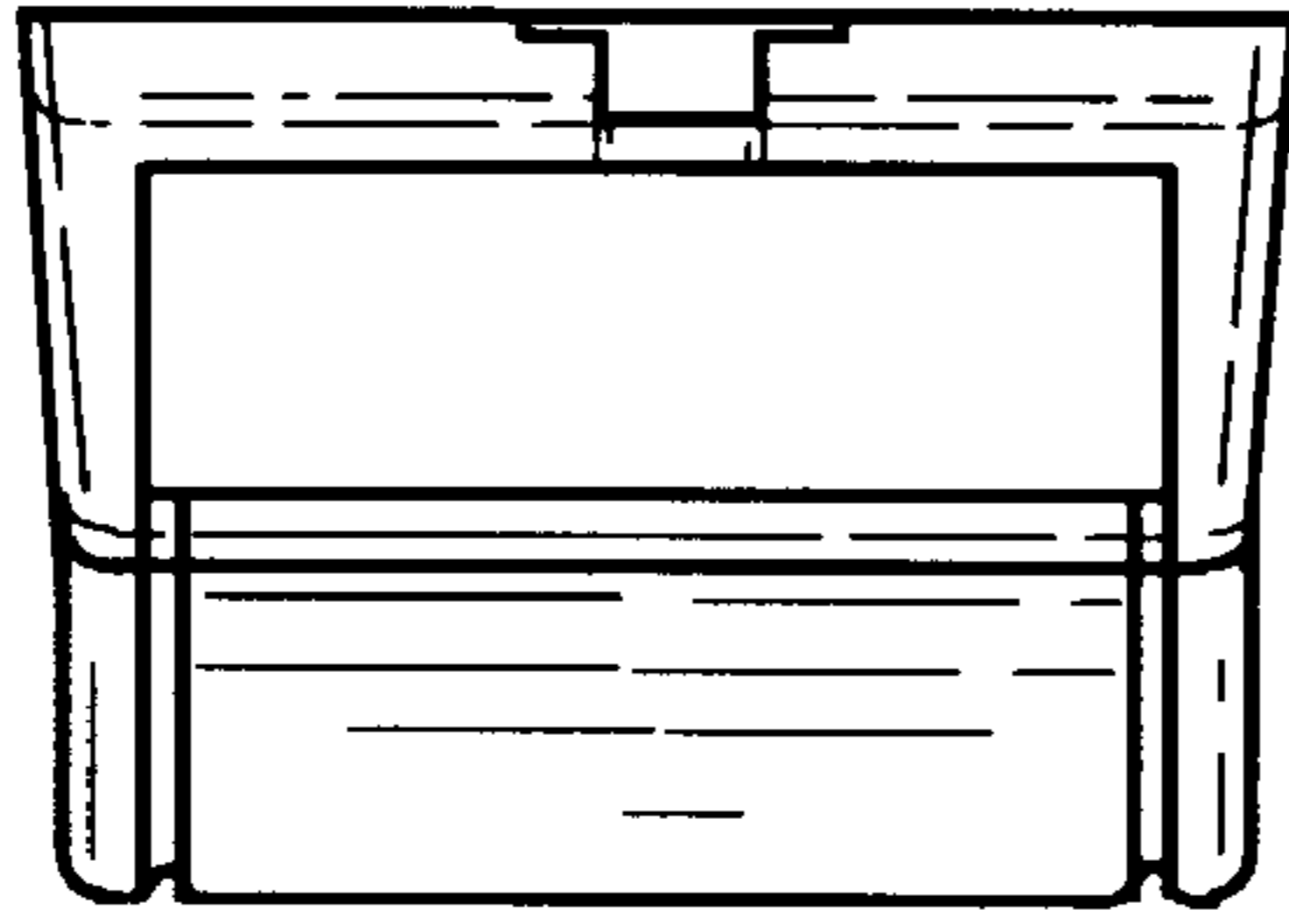


FIG. 4

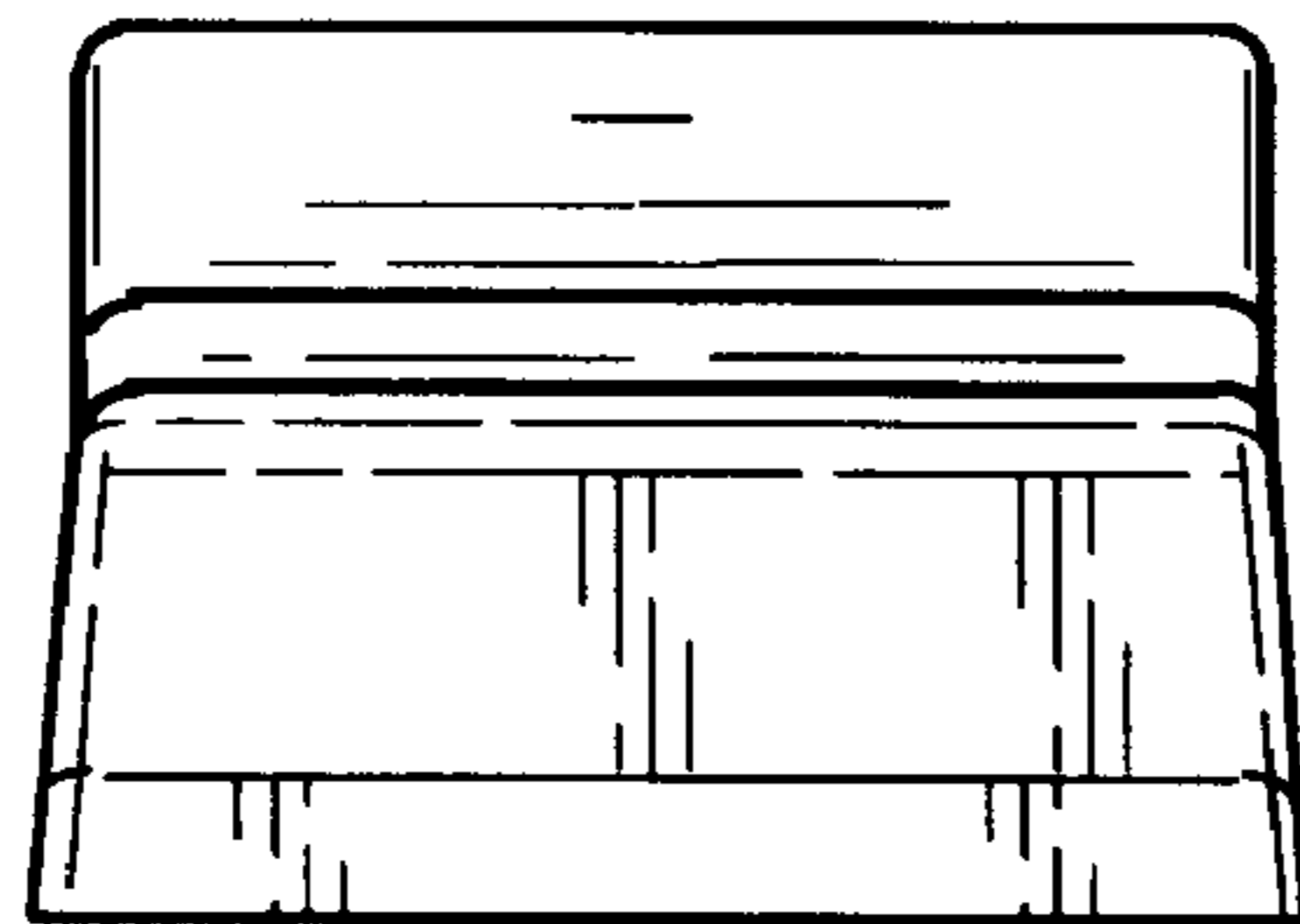


FIG. 3

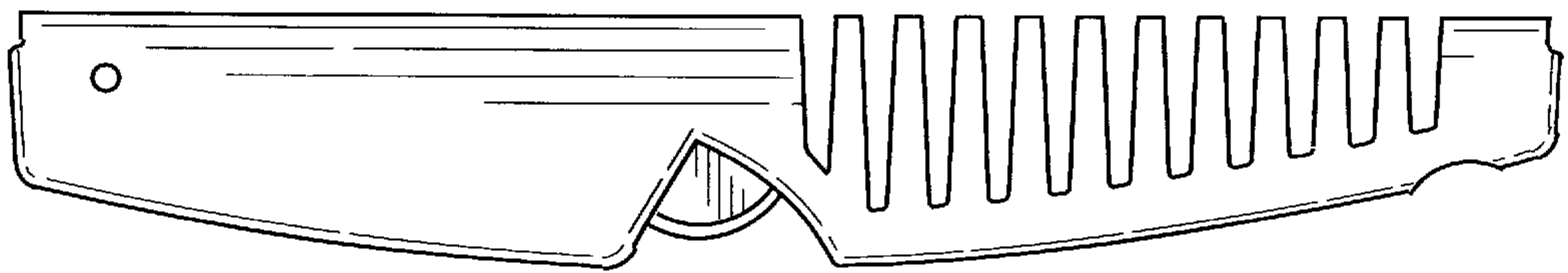


FIG. 5

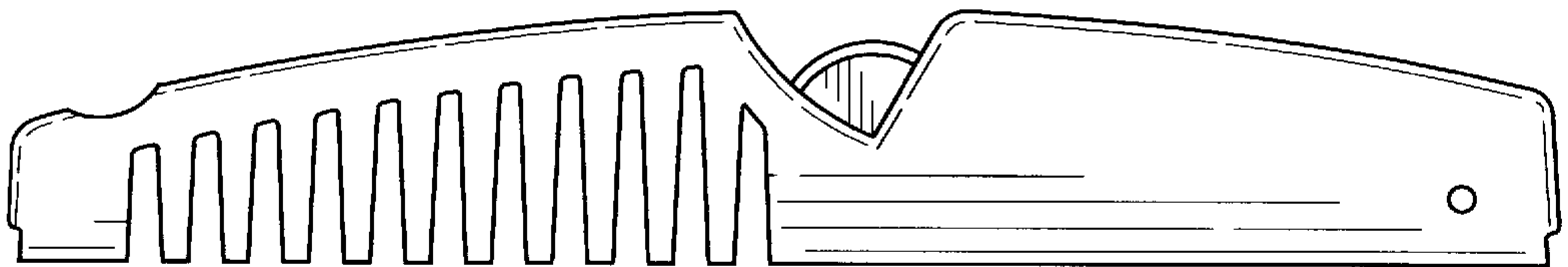


FIG. 6