



US00D483764S

(12) **United States Design Patent**
Masamitsu et al.

(10) **Patent No.:** **US D483,764 S**

(45) **Date of Patent:** **** Dec. 16, 2003**

(54) **COMBINED MOUSE AND FINGERPRINT READER/WRITER**

(75) Inventors: **Satoshi Masamitsu**, Tokyo (JP);
Hirohisa Tanaka, Tokyo (JP)

(73) Assignee: **Sony Corporation**, Tokyo (JP)

(**) Term: **14 Years**

(21) Appl. No.: **29/174,248**

(22) Filed: **Jan. 15, 2003**

(51) **LOC (7) Cl.** **14-02**

(52) **U.S. Cl.** **D14/407; D14/402**

(58) **Field of Search** **D14/402-410,**
D14/384, 392, 345; 273/148 R, 150, 148 B;
345/156-167

(56) **References Cited**

U.S. PATENT DOCUMENTS

D305,331 S	*	1/1990	Esslinger	D14/407
D425,881 S	*	5/2000	Borza	D14/384
D429,725 S	*	8/2000	Morimiya	D14/384
D434,416 S		11/2000	Goto		
D438,207 S	*	2/2001	Baker	D14/392
D443,614 S	*	6/2001	Do et al.	D14/345

OTHER PUBLICATIONS

Catalog "ECM-S5008," 1 sheet, Mitsumi (Sep. 2001).
Web page "USB-PCMS," <http://www7.yodobashi.com/shopping/i.jsp?oid>, 1 sheet, Yodobashi Camera (Sep. 2002).
Web page "MSGC-US10(USB)," <http://www7.yodobashi.com/shopping/i.jsp?oid>, 1 sheet, Yodobashi Camera (Sep. 2002).

* cited by examiner

Primary Examiner—Kay H. Chin

(74) *Attorney, Agent, or Firm*—Rader, Fishman & Grauer PLLC

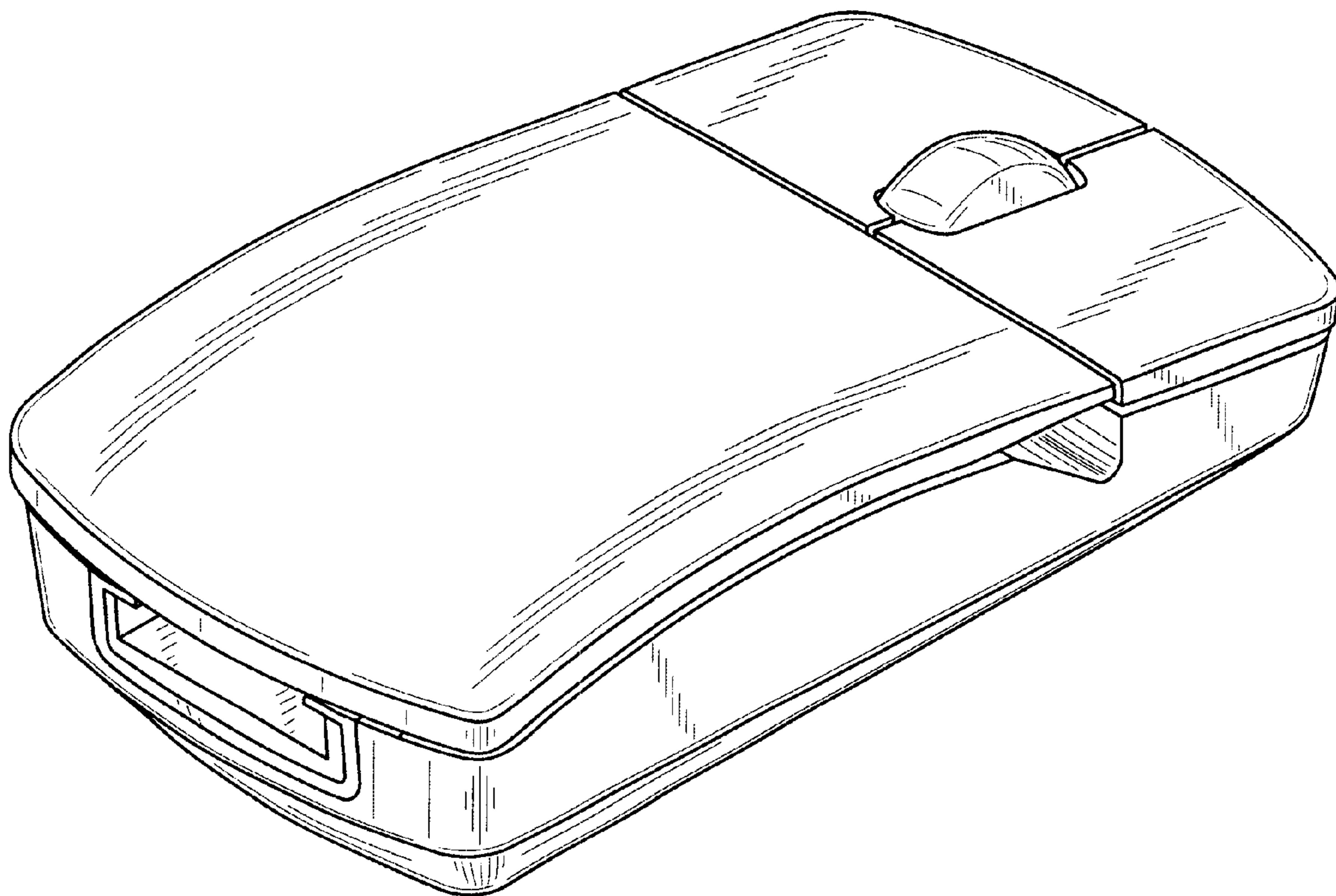
(57) **CLAIM**

The ornamental design for a combined mouse and fingerprint reader/writer, as shown.

DESCRIPTION

FIG. 1 is a perspective view of a combined mouse and fingerprint reader/writer showing our new design; FIG. 2 is a front elevational view thereof; FIG. 3 is a rear elevational view thereof; FIG. 4 is a left side elevational view thereof; FIG. 5 is a right side elevational view thereof; FIG. 6 is a top plan view thereof; and, FIG. 7 is a bottom plan view thereof.

1 Claim, 4 Drawing Sheets



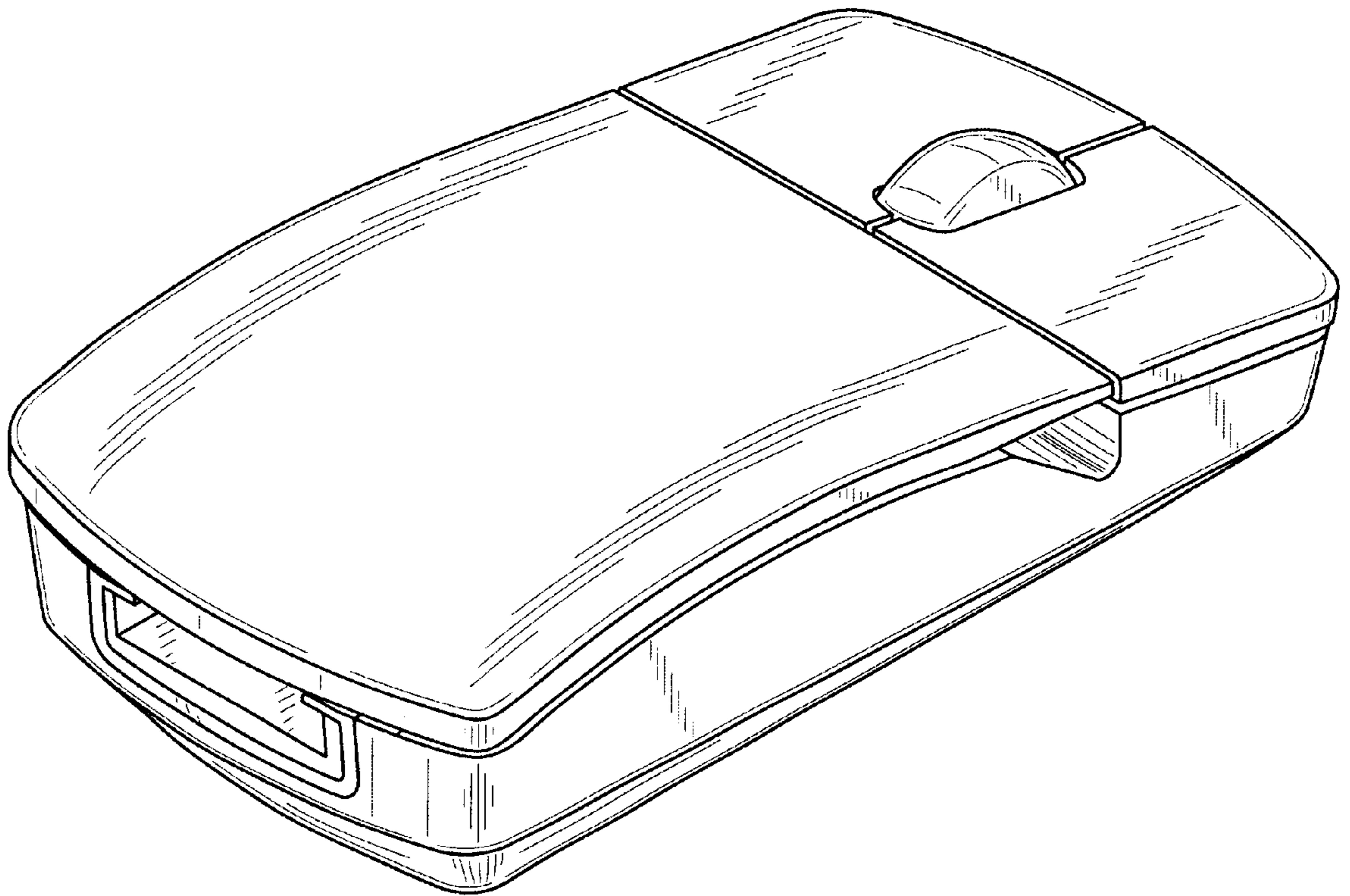


FIG. 1

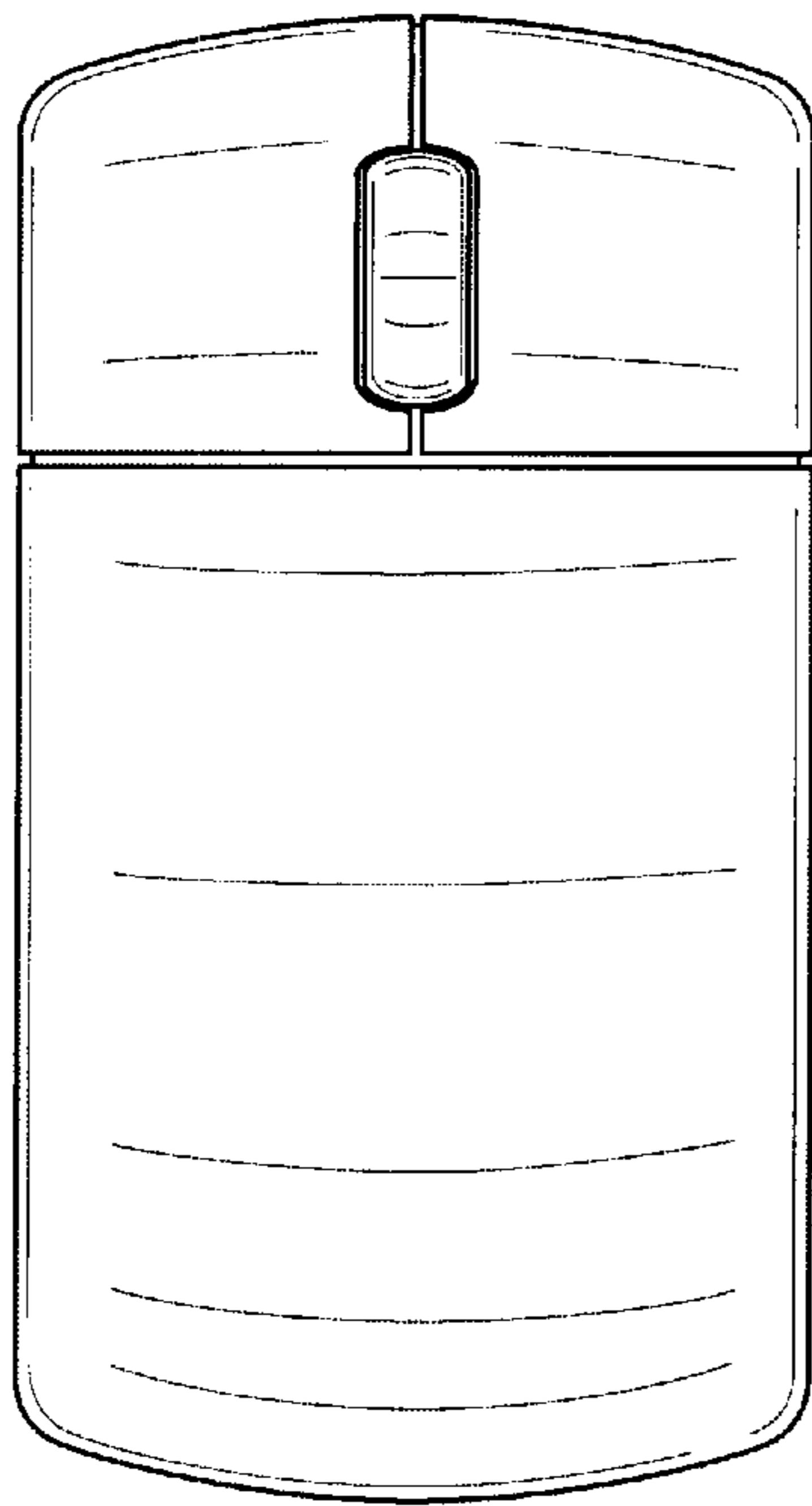


FIG. 2

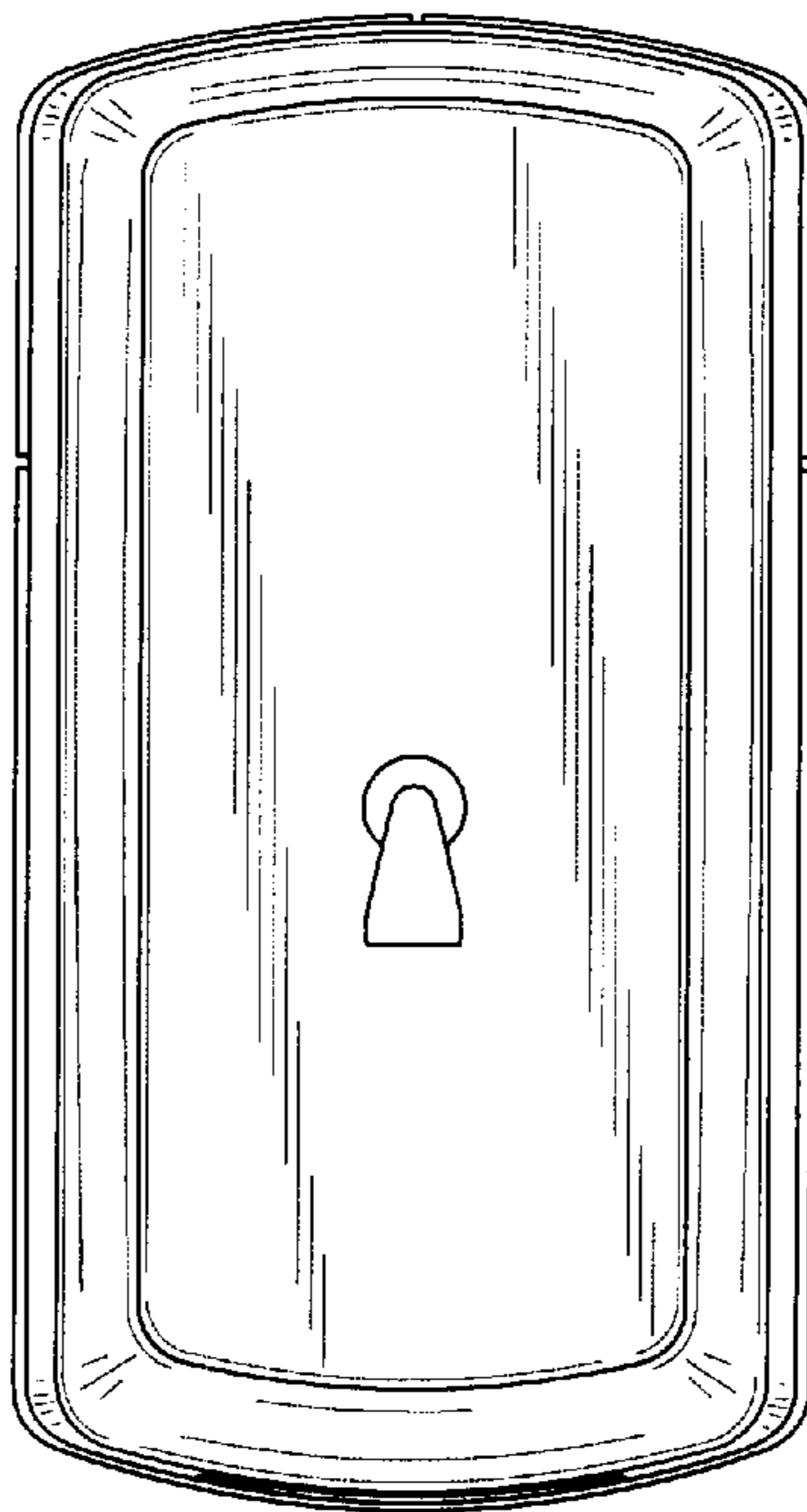


FIG. 3

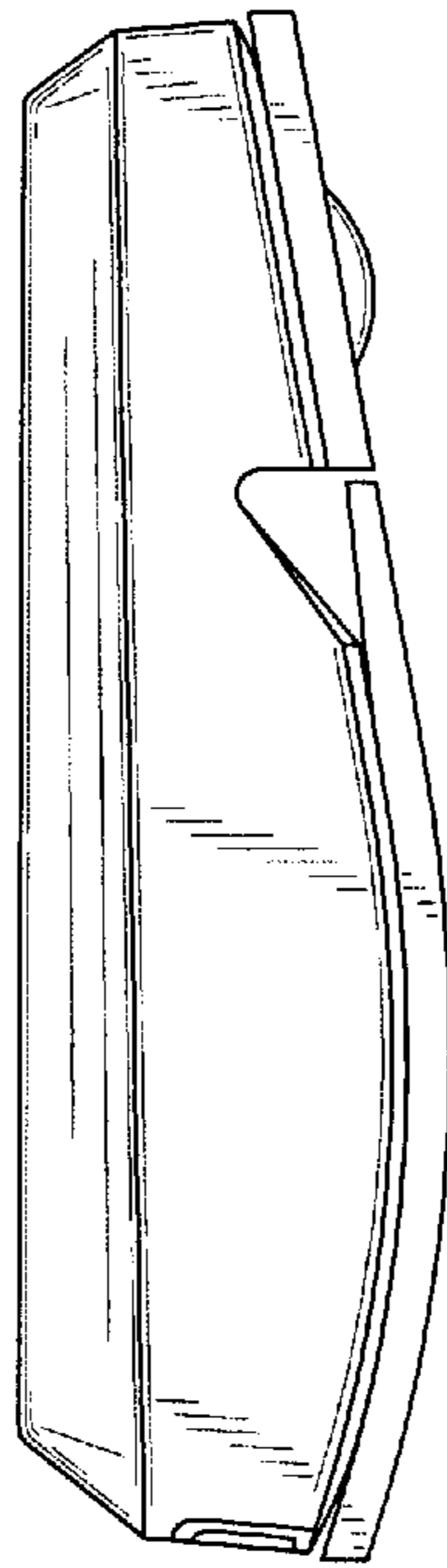


FIG. 4

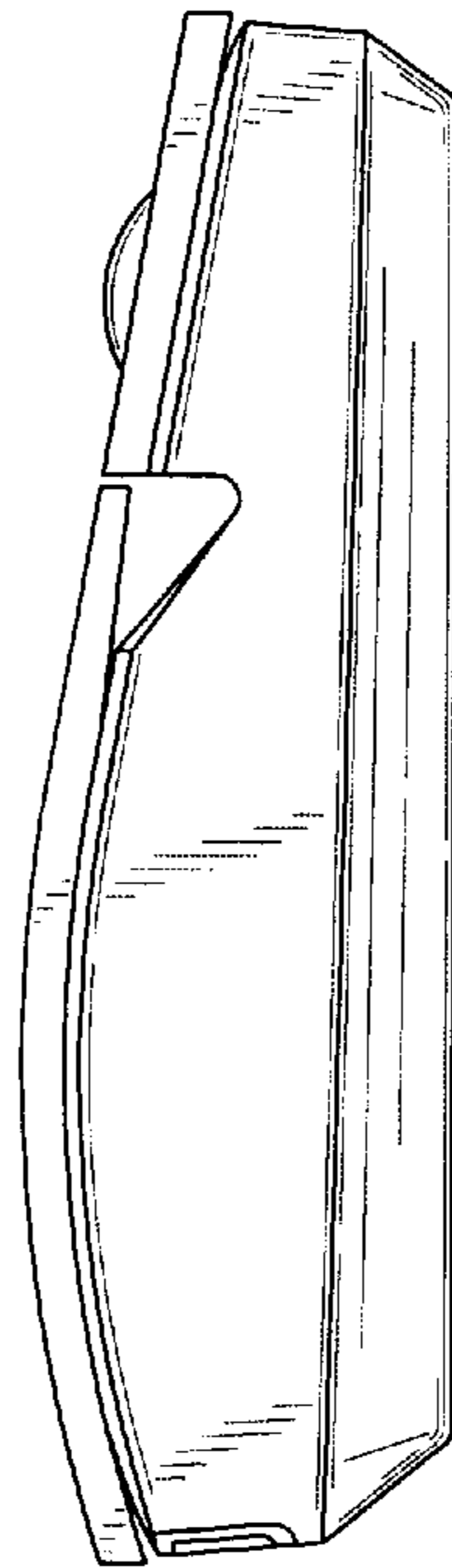


FIG. 5

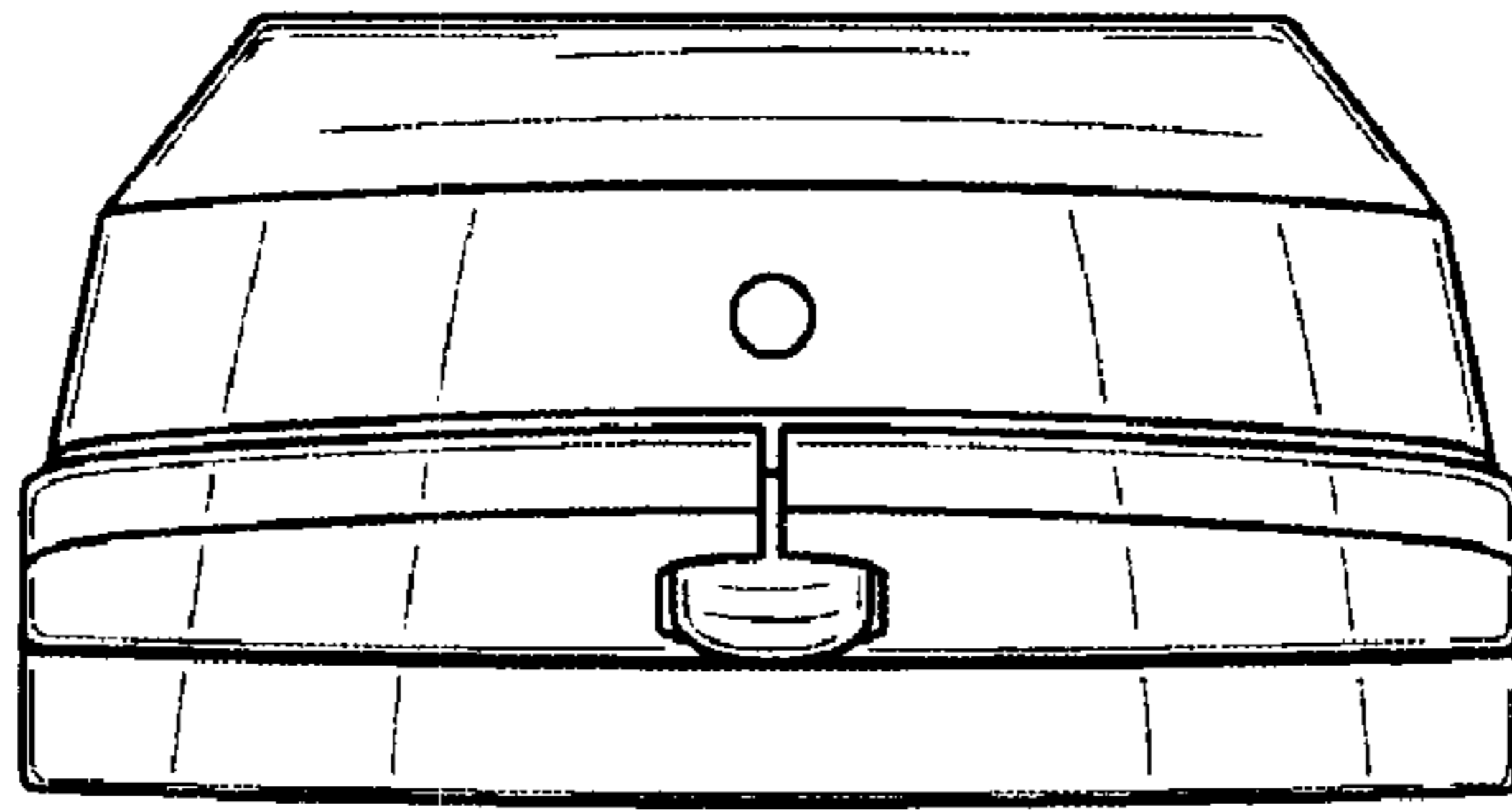


FIG. 6

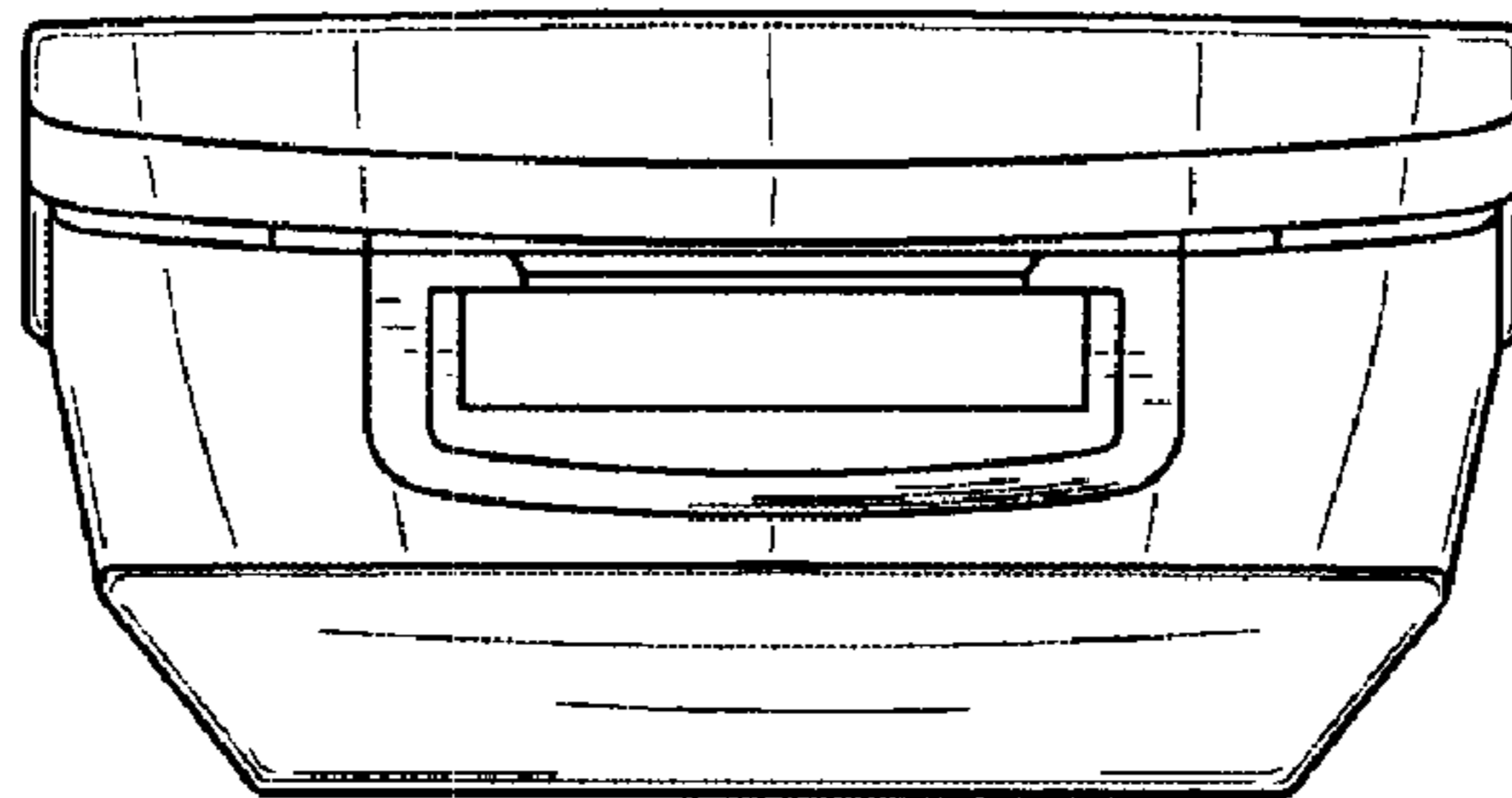


FIG. 7