



US00D483762S

(12) **United States Design Patent**
Berr et al.

(10) **Patent No.:** **US D483,762 S**

(45) **Date of Patent:** **** Dec. 16, 2003**

(54) **APPARATUS FOR CHECKING PERSONS
AND/OR DOCUMENTS**

4,574,316 A * 3/1986 Wilman et al. 358/498
D303,251 S * 9/1989 Morishita et al. D14/384
5,386,103 A * 1/1995 DeBan et al. 235/379

(75) Inventors: **Andreas Berr**, Augsburg (DE);
Siegfried Baldauf, Augsburg (DE);
Werner Hartmann, Augsburg (DE);
Lorenz Löbermann, Augsburg (DE);
Christine Valk, Habach (DE)

* cited by examiner

Primary Examiner—Freda Nunn
(74) *Attorney, Agent, or Firm*—McGlew and Tuttle, P.C.

(73) Assignee: **Bundesdruckerei GmbH**, Berlin (DE)

(57) **CLAIM**

(**) Term: **14 Years**

The ornamental design for an apparatus for checking persons and/or documents, as shown and described.

(21) Appl. No.: **29/162,182**

(22) Filed: **Jun. 11, 2002**

DESCRIPTION

(51) **LOC (7) Cl.** **14-02**

(52) **U.S. Cl.** **D14/383**

(58) **Field of Search** D14/383-385,
D14/386, 420, 421-423, 424, 425; D16/208,
214, 223, 232; D18/36, 37, 39; 250/556;
235/380, 379, 375, 382, 382.5; 356/71;
283/70, 117; 118/31.5; 705/43; 351/210;
382/124; 358/498

FIG. 1 is a perspective view of my design for an apparatus for checking persons and/or documents;

FIG. 2 is a front view;

FIG. 3 is a side view from the right;

FIG. 4 is a side view from the left;

FIG. 5 is a back view;

FIG. 6 is a top view; and,

FIG. 7 is an underview.

(56) **References Cited**

U.S. PATENT DOCUMENTS

3,848,112 A * 11/1974 Weichselbaum et al. 235/375

1 Claim, 7 Drawing Sheets

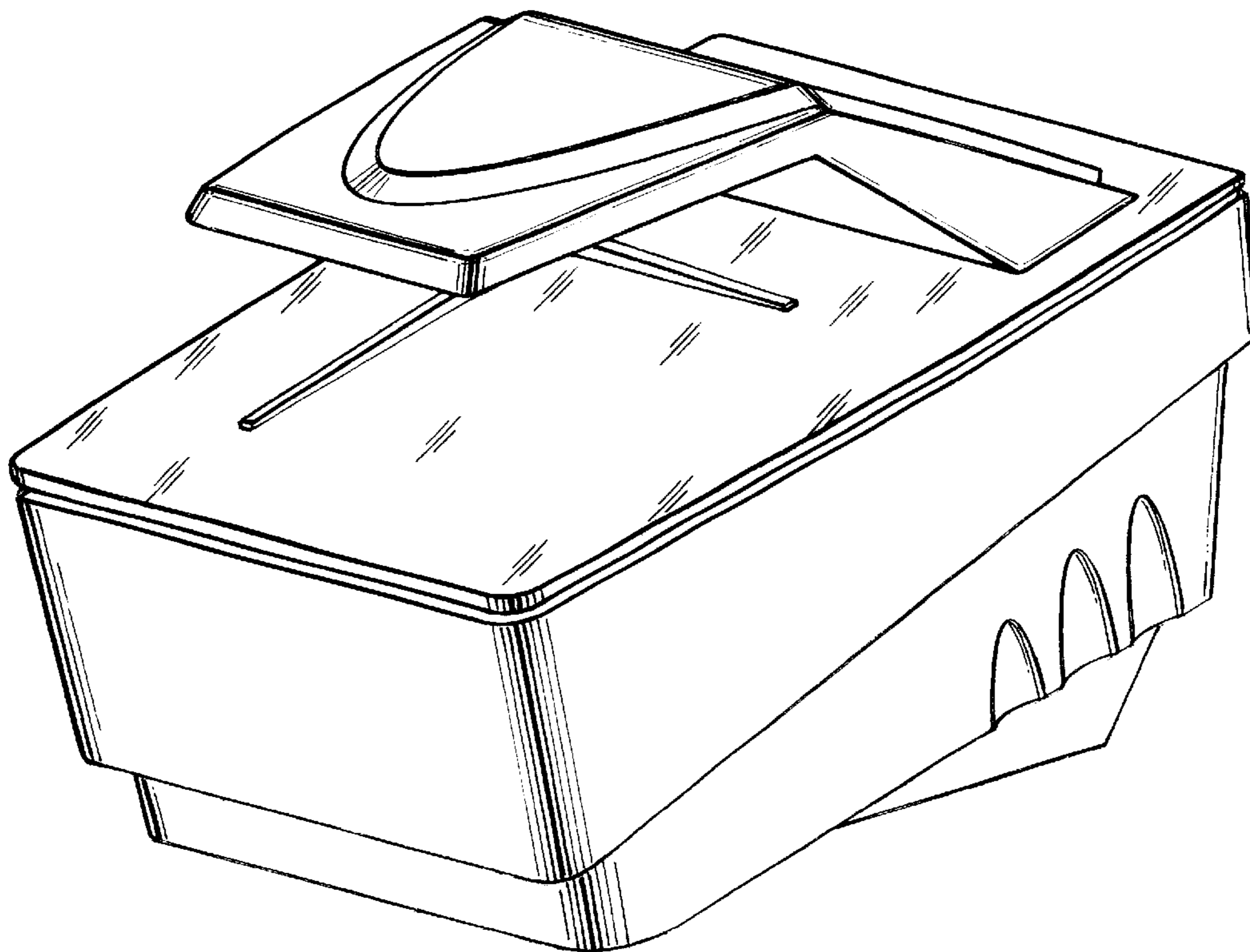


FIG.1

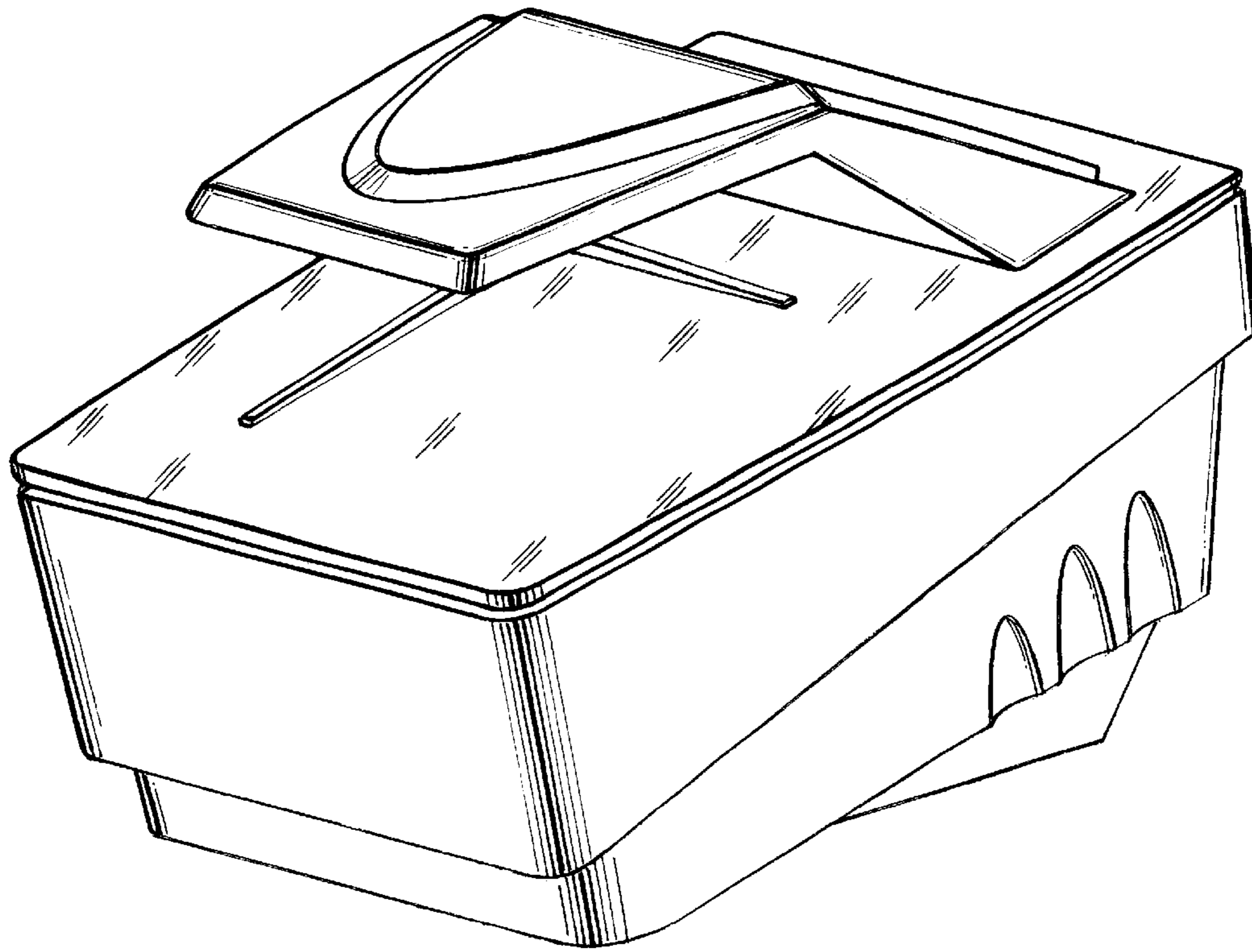


FIG. 2

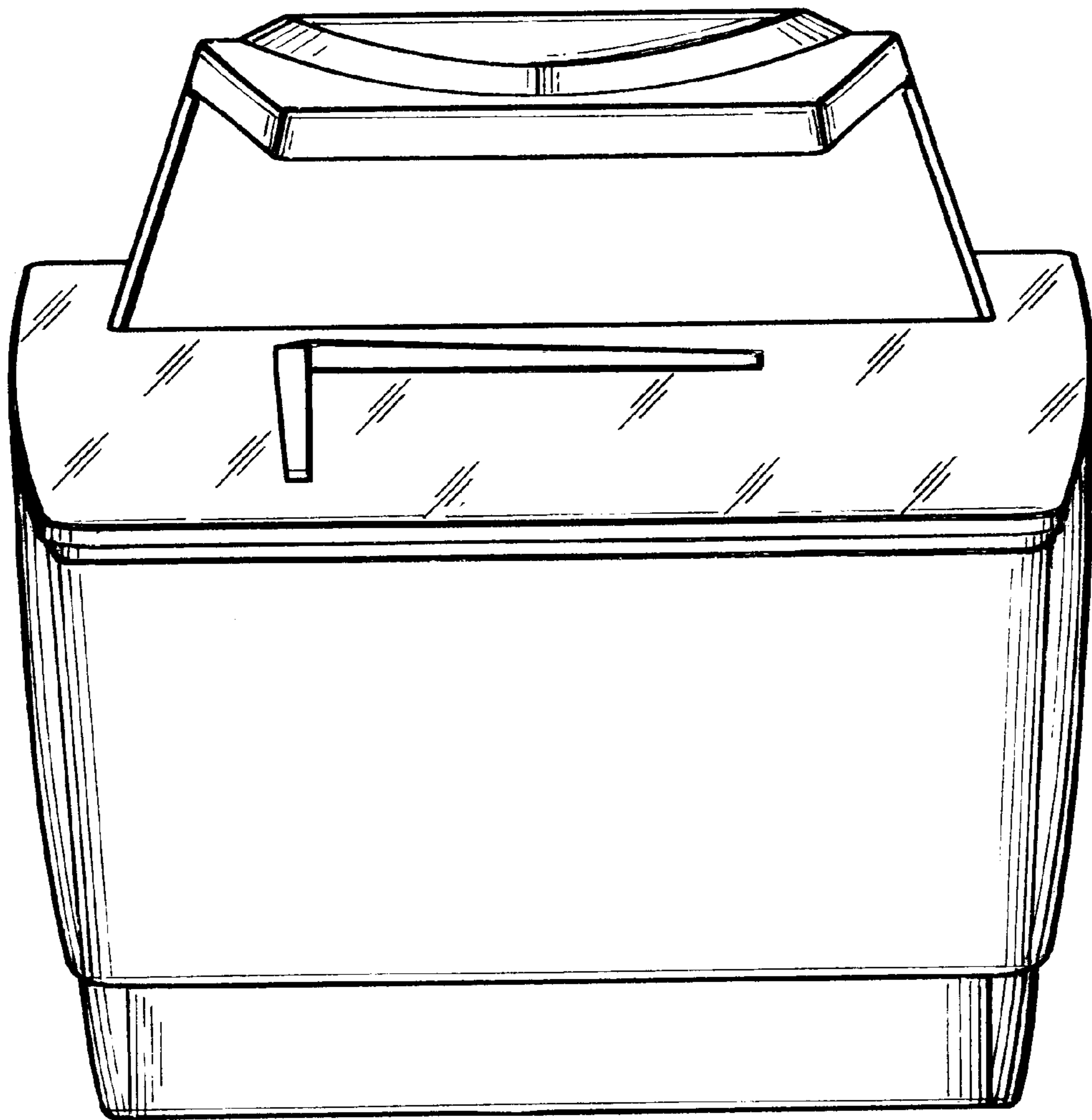


FIG. 3

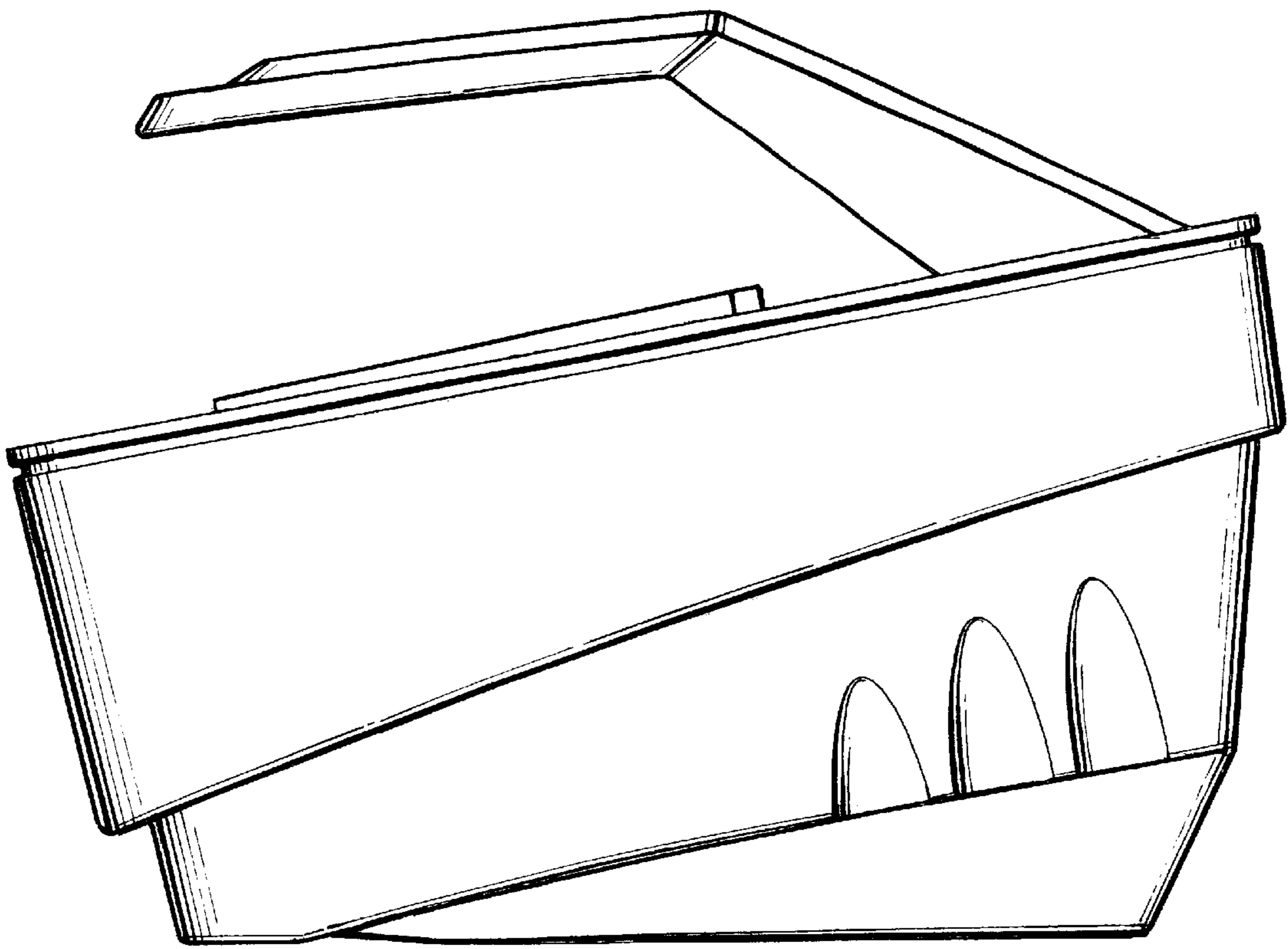


FIG.4

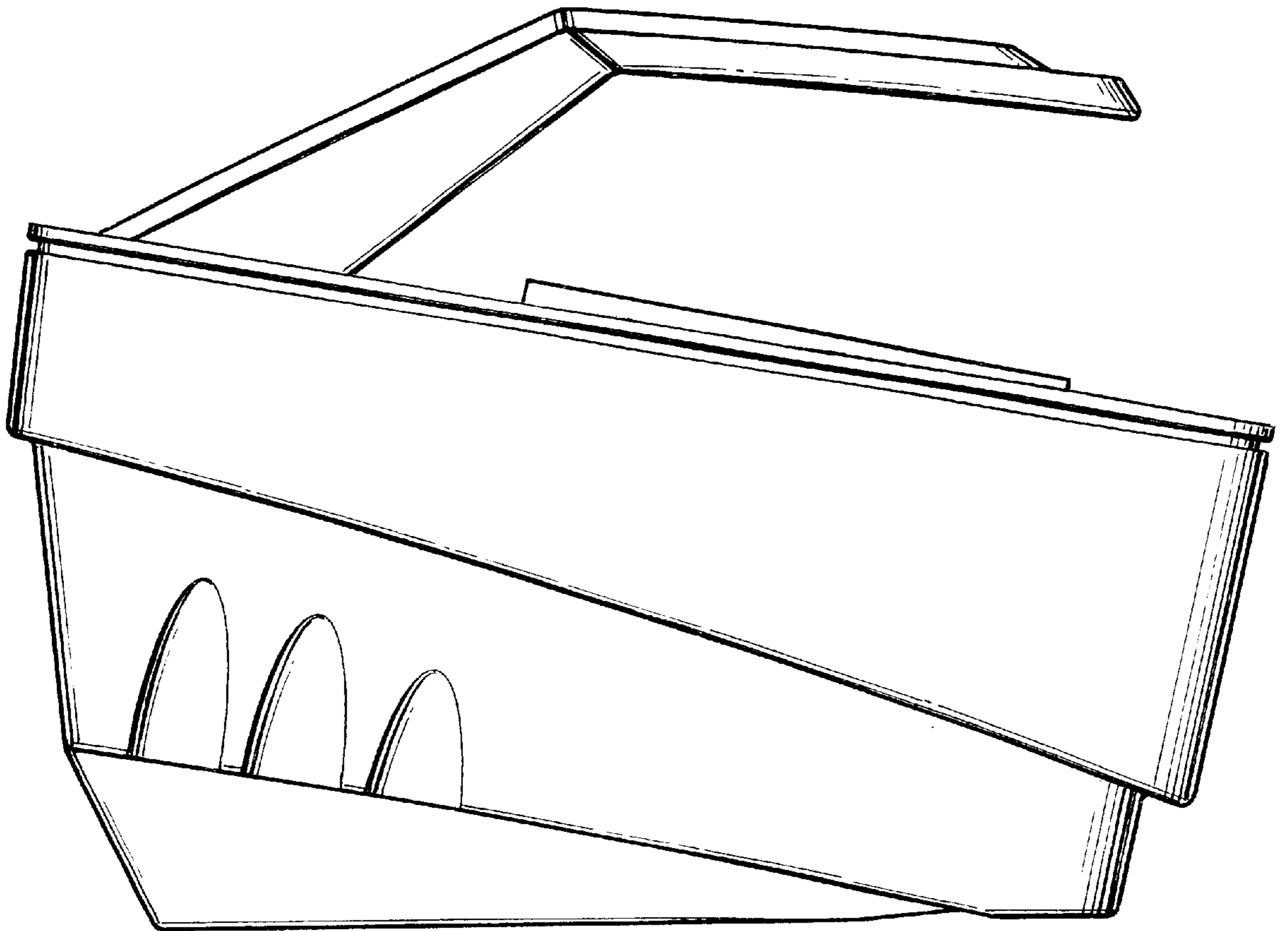


FIG. 5

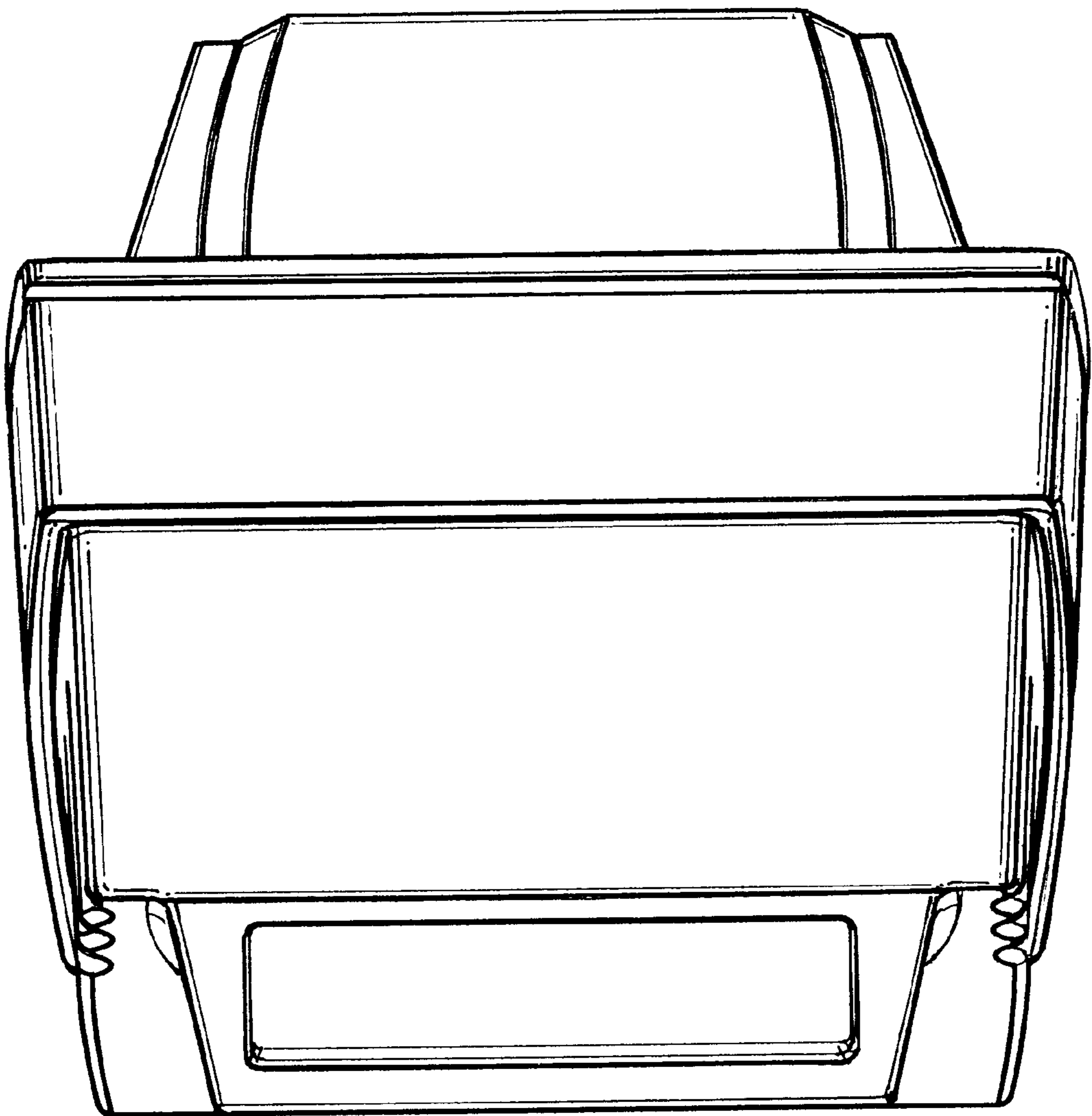


FIG. 6

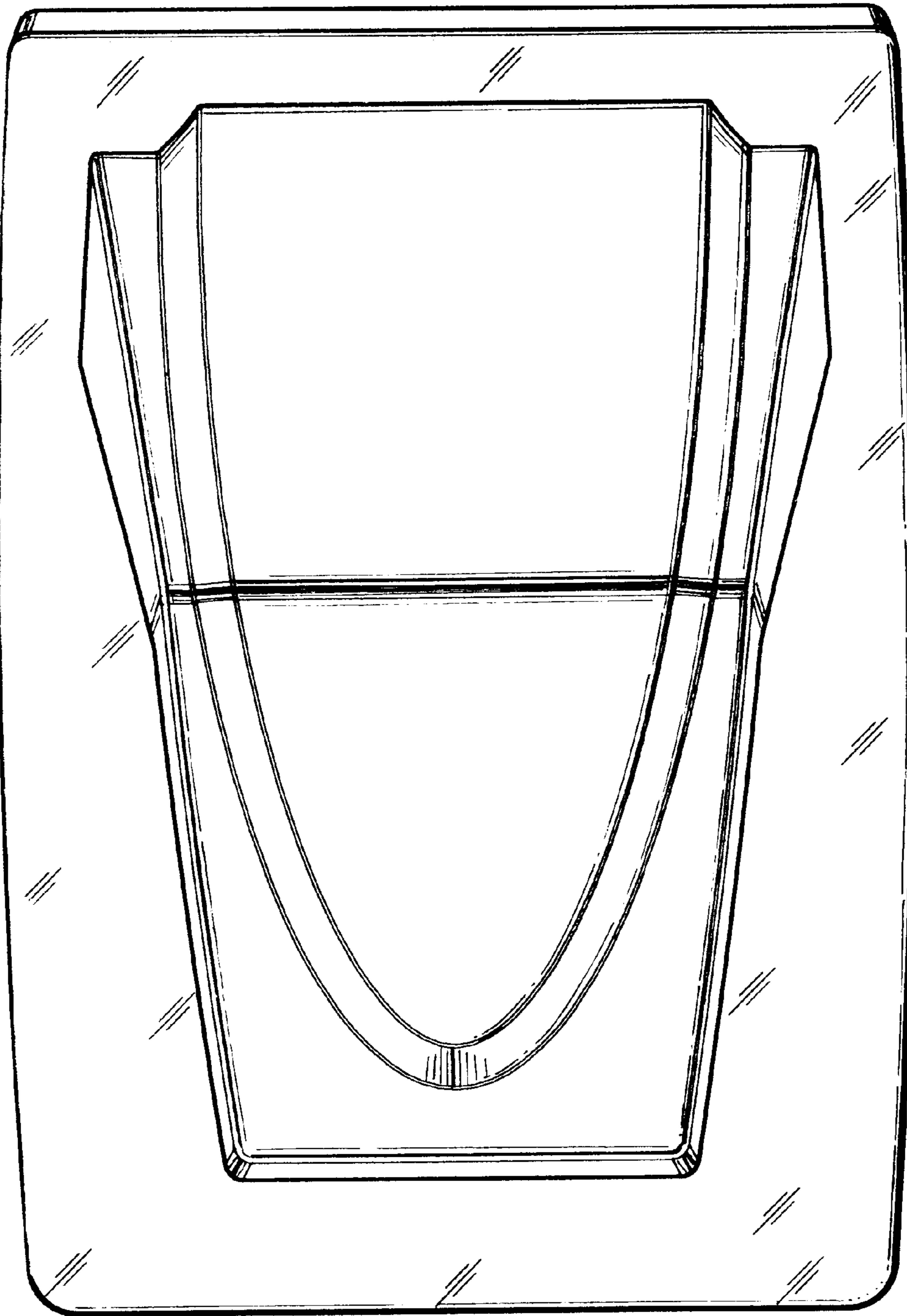


FIG.7

