



US00D483760S

(12) **United States Design Patent**
Berr et al.

(10) **Patent No.:** **US D483,760 S**

(45) **Date of Patent:** **** Dec. 16, 2003**

(54) **APPARATUS FOR CHECKING PERSONS AND/OR DOCUMENTS**

(75) Inventors: **Andreas Berr**, Augsburg (DE);
Siegfried Baldauf, Augsburg (DE);
Werner Hartmann, Augsburg (DE);
Lorenz Löbermann, Augsburg (DE);
Christine Valk, Habach (DE)

(73) Assignee: **Bundesdruckerei GmbH**, Berlin (DE)

(**) Term: **14 Years**

(21) Appl. No.: **29/162,180**

(22) Filed: **Jun. 11, 2002**

(51) **LOC (7) Cl.** **14-02**

(52) **U.S. Cl.** **D14/383**

(58) **Field of Search** D14/383, 385-388,
D14/420, 421, 423, 302, 308, 307; D16/208,
214, 223, 232; D18/36, 37, 39; 250/556;
235/380, 382, 375, 379, 382.5; 356/71;
283/70, 117; 118/31.5; 705/43; 351/210;
382/124

(56) **References Cited**

U.S. PATENT DOCUMENTS

3,848,112 A * 11/1974 Weichselbaum et al. 235/375

D325,196 S * 4/1992 Stanger et al. D14/384
D349,693 S * 8/1994 Brossardt D14/302
5,386,103 A * 1/1995 DeBan et al. 235/379
5,915,246 A * 6/1999 Patterson et al. 705/43
D413,868 S * 9/1999 Hesselbach D14/387
5,956,122 A * 9/1999 Doster 351/210
6,337,918 B1 * 1/2002 Holehan 382/124

* cited by examiner

Primary Examiner—Freda Nunn

(74) *Attorney, Agent, or Firm*—McGlew and Tuttle, P.C.

(57) **CLAIM**

The ornamental design for a apparatus for checking persons and/or documents, as shown and described.

DESCRIPTION

FIG. 1 is a perspective view of my design for an apparatus for checking persons and/or documents;
FIG. 2 is a front view;
FIG. 3 is a side view from the right;
FIG. 4 is a side view from the left;
FIG. 5 is a back view;
FIG. 6 is a top view; and,
FIG. 7 is an underview.

1 Claim, 7 Drawing Sheets

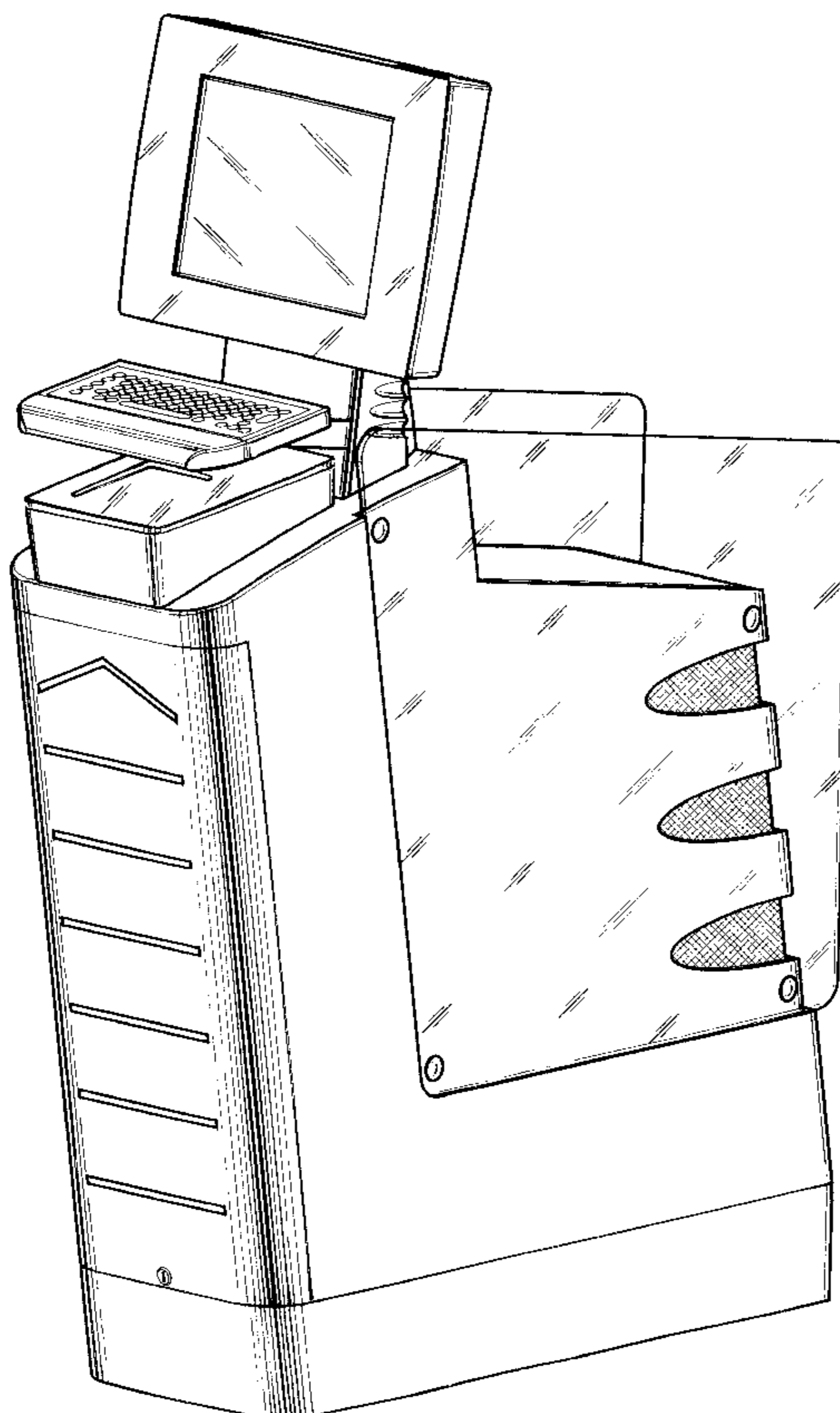


FIG.1

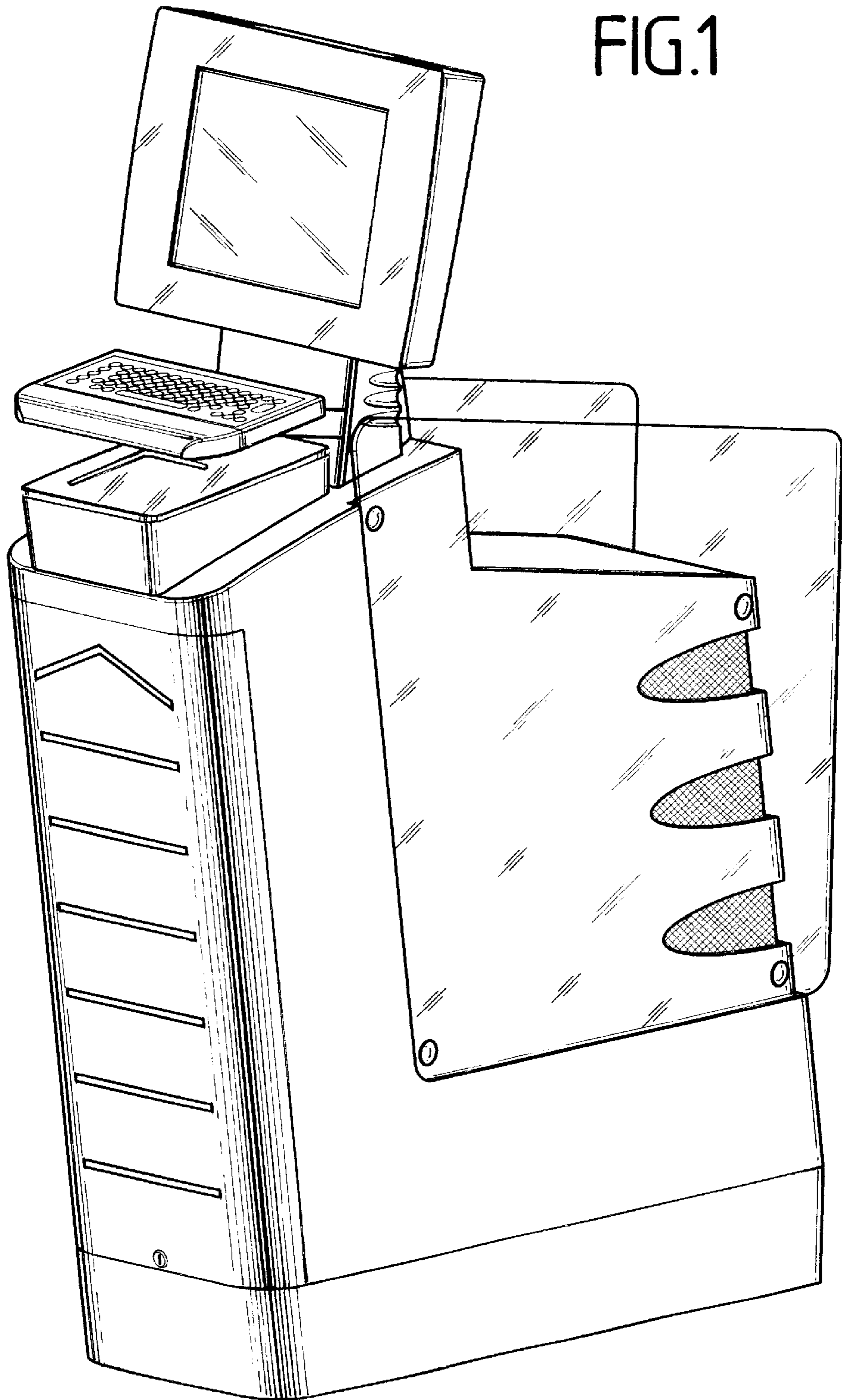


FIG. 2

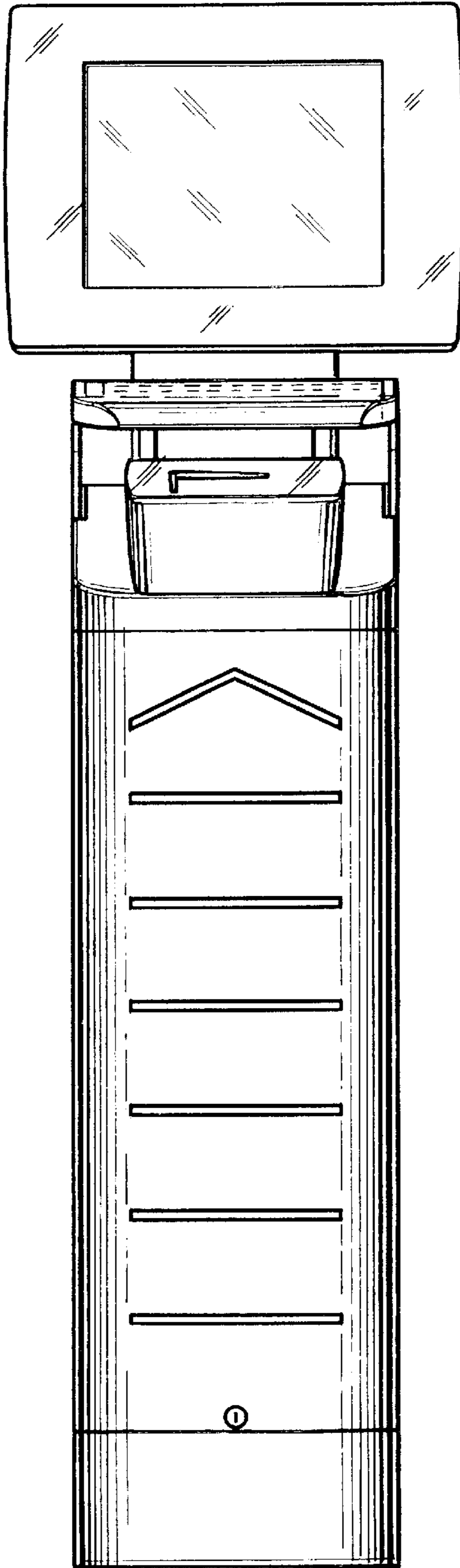


FIG.3

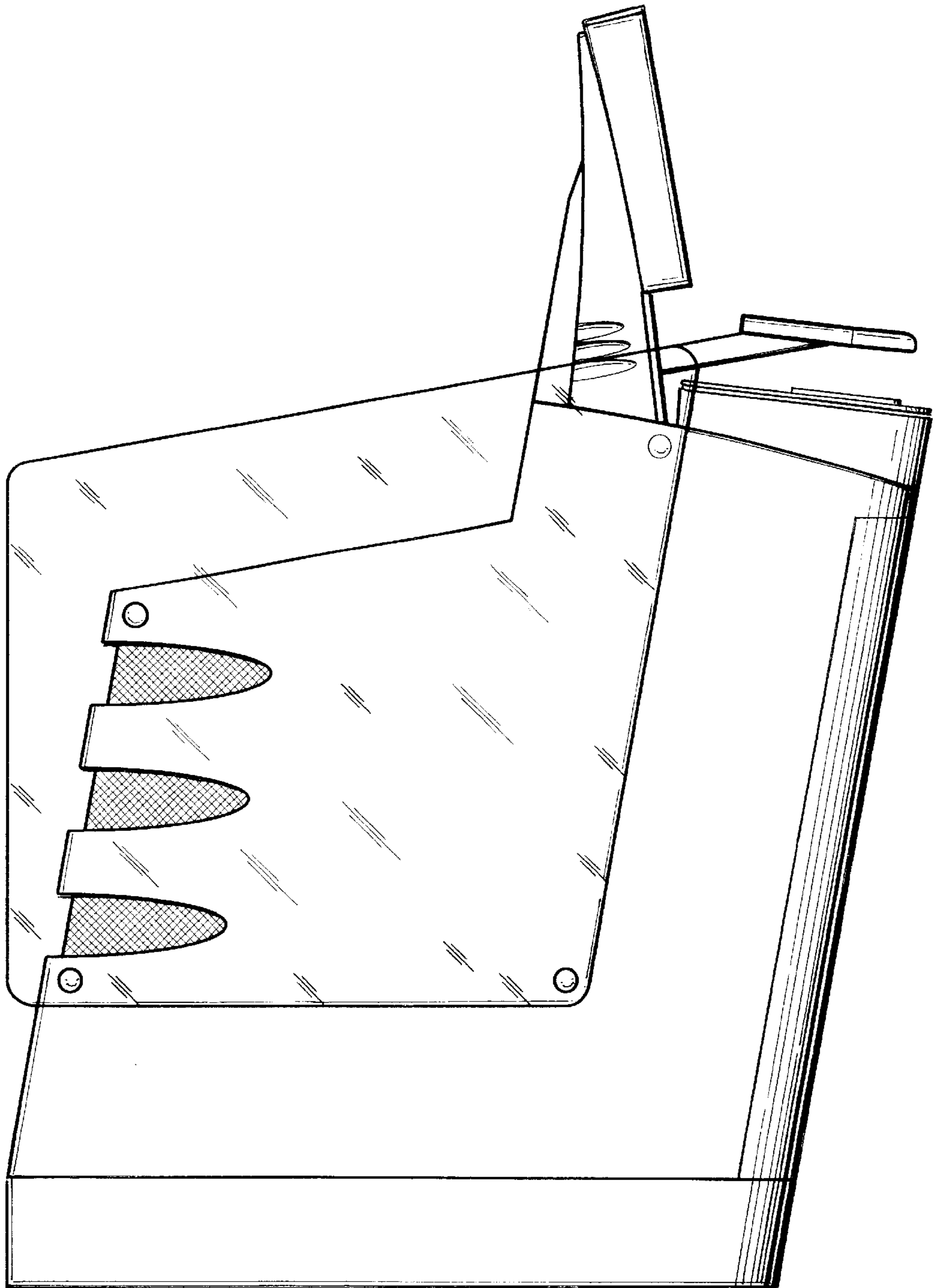


FIG.4

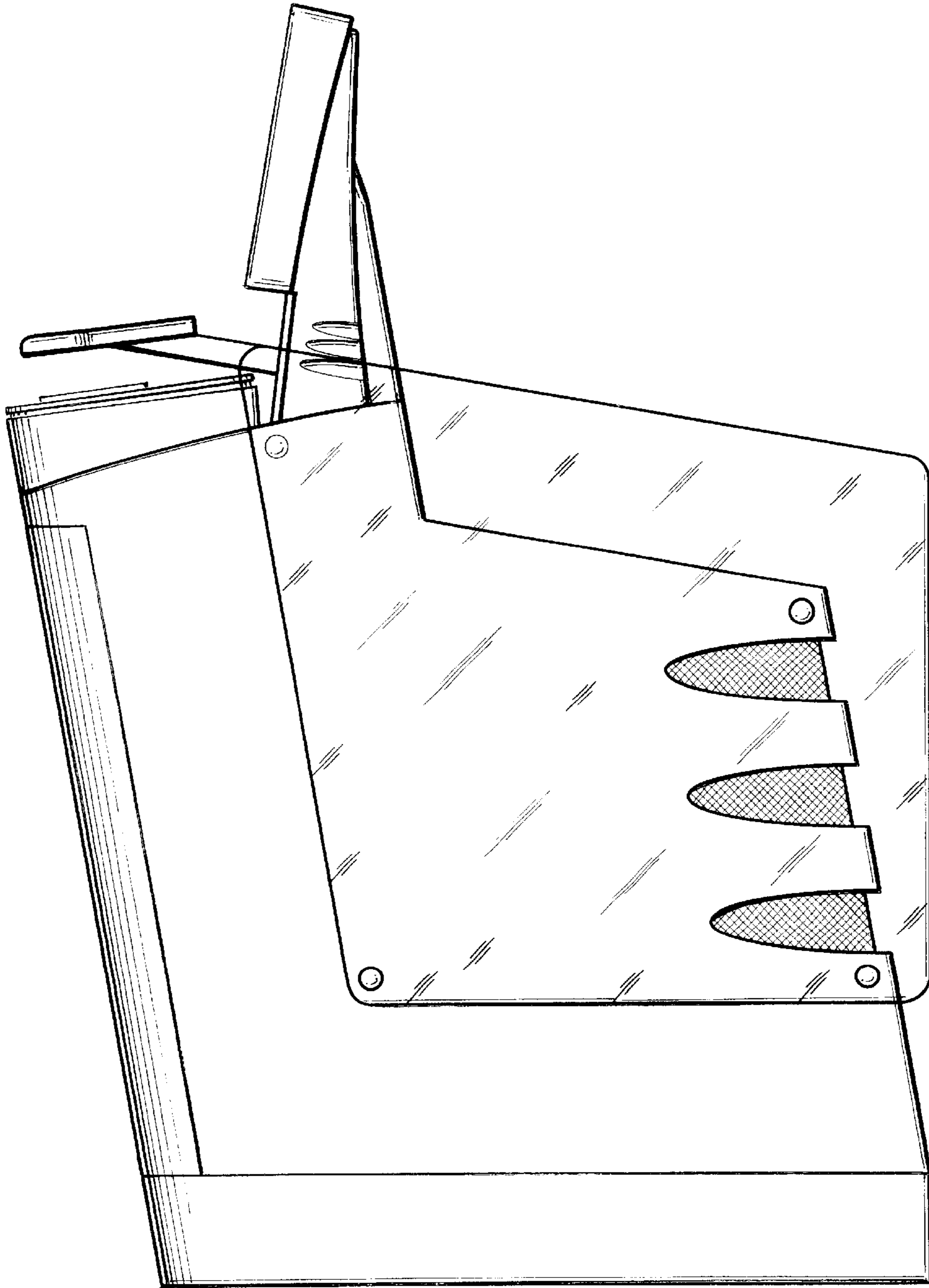


FIG.5

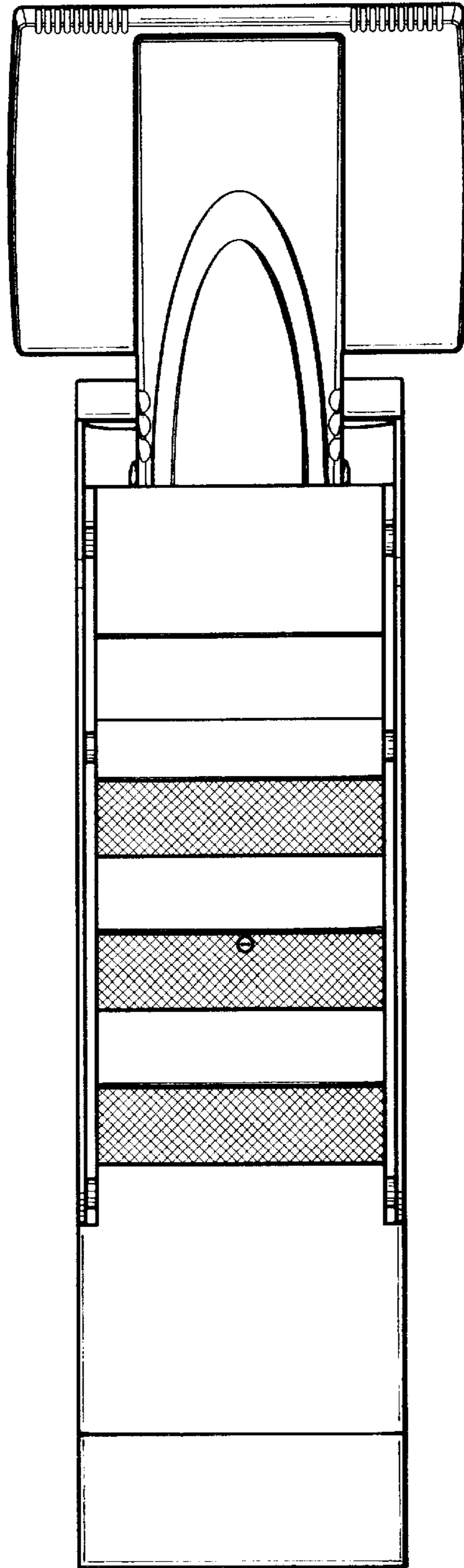


FIG. 6

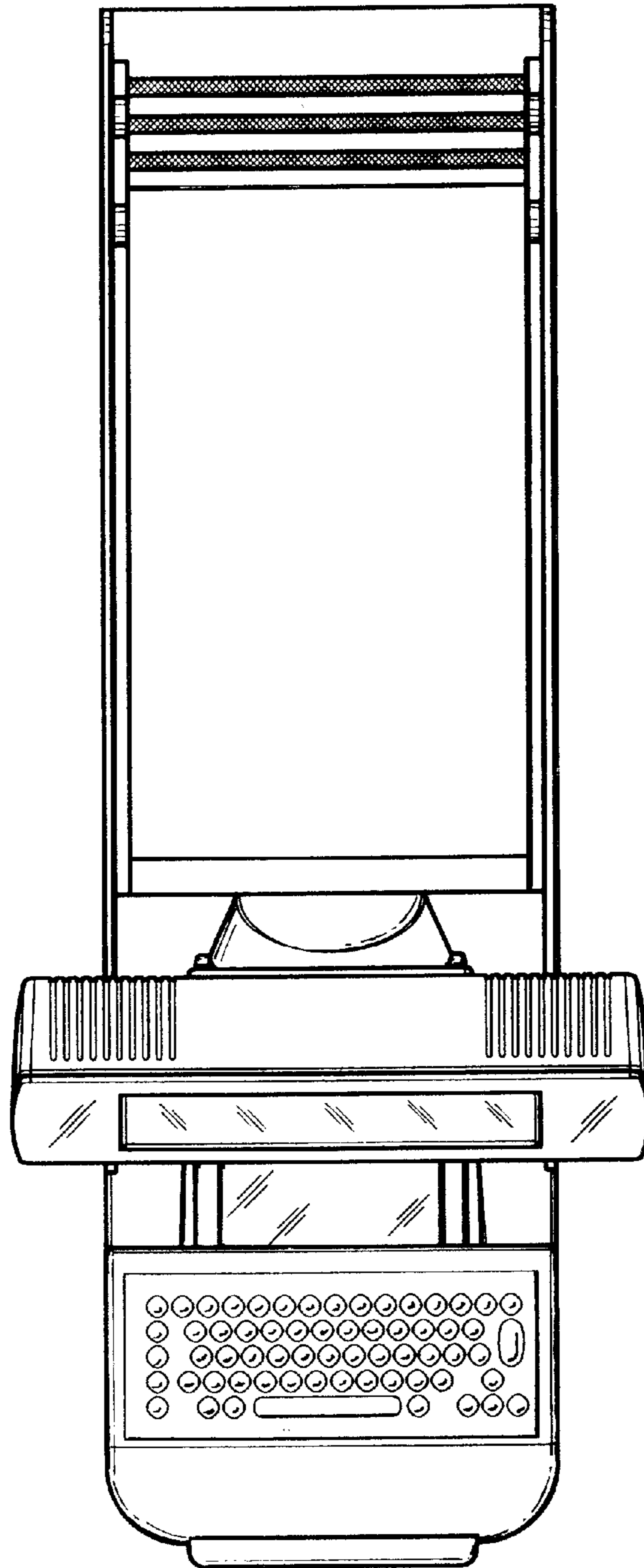


FIG.7

