



US00D483756S

(12) **United States Design Patent**  
**Tanaka et al.**

(10) **Patent No.:** **US D483,756 S**

(45) **Date of Patent:** **\*\* Dec. 16, 2003**

(54) **OPERATION CONTROLLER FOR ELECTRONIC COMPUTERS**

D462,351 S \* 9/2002 Tanaka ..... D14/356

**FOREIGN PATENT DOCUMENTS**

(75) Inventors: **Keita Tanaka**, Tokyo (JP); **Noriaki Baba**, Tokyo (JP); **Yuji Yugaya**, Tokyo (JP)

JP	832055	3/1992
JP	832055-1	3/1992
JP	832055-2	3/1992
JP	1128507	12/2001

(73) Assignee: **Kabushiki Kaisha Toshiba** (JP)

**OTHER PUBLICATIONS**

(\*\*) Term: **14 Years**

Fujitsu Catalog, Primergy H200 dated Jan., 2001.

(21) Appl. No.: **29/170,769**

\* cited by examiner

(22) Filed: **Nov. 13, 2002**

*Primary Examiner*—Freda Nunn

(30) **Foreign Application Priority Data**

(74) *Attorney, Agent, or Firm*—Banner & Witcoff, Ltd.

Jul. 29, 2002 (JP) ..... 2002-020195

(57) **CLAIM**

(51) **LOC (7) Cl.** ..... **14-02**

The ornamental design for an operation controller for electronic computers, as shown and described.

(52) **U.S. Cl.** ..... **D14/356**

**DESCRIPTION**

(58) **Field of Search** ..... D14/356-363;  
D13/162, 184, 199; 312/223.1-223.3; 360/99.01-99.12;  
361/690-696; 369/34.01, 36.01

FIG. 1 is a top, front and right side perspective view of an operation controller for electronic computers showing our new design,  
FIG. 2 is a front elevational view thereof,  
FIG. 3 is a rear elevational view thereof,  
FIG. 4 is a left side elevational view thereof,  
FIG. 5 is a top plan view thereof,  
FIG. 6 is a right side elevational view thereof, and,  
FIG. 7 is a bottom plan view thereof.

(56) **References Cited**

**U.S. PATENT DOCUMENTS**

D319,225 S	*	8/1991	Kline et al. ....	D14/368
D418,492 S		1/2000	Nagase	
D435,559 S		12/2000	Tanaka	
D438,205 S		2/2001	Tanaka	
D454,872 S		3/2002	Tanaka	
D461,805 S	*	8/2002	Tanaka .....	D14/356

**1 Claim, 3 Drawing Sheets**

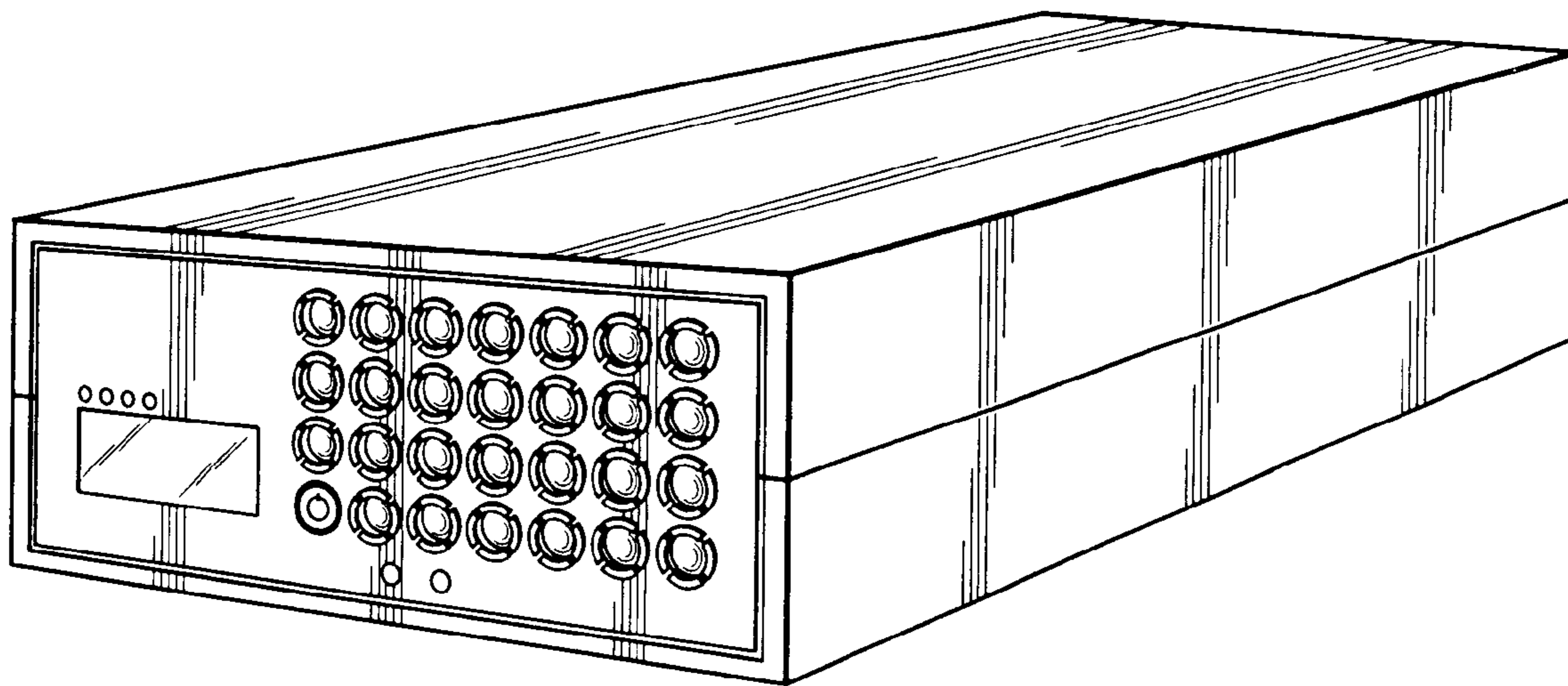


FIG. 1

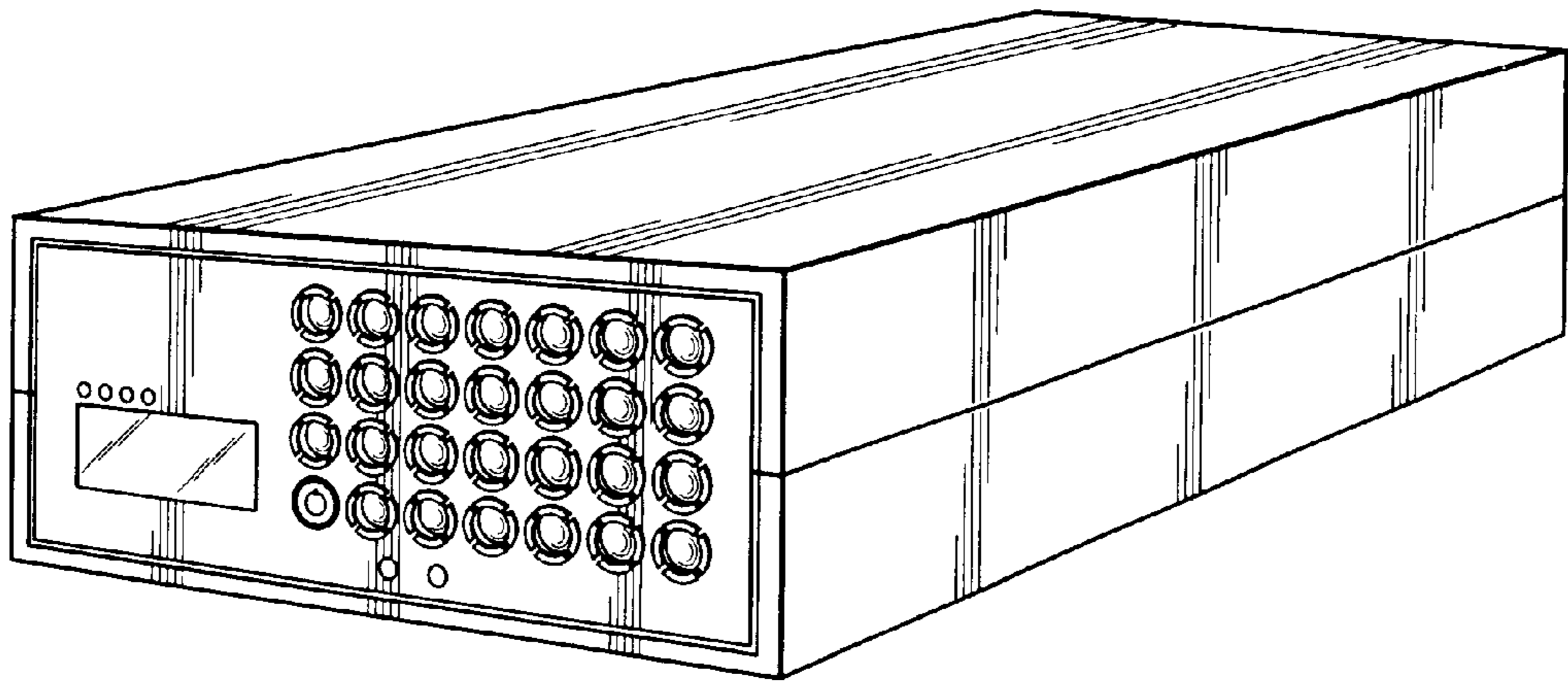


FIG. 2

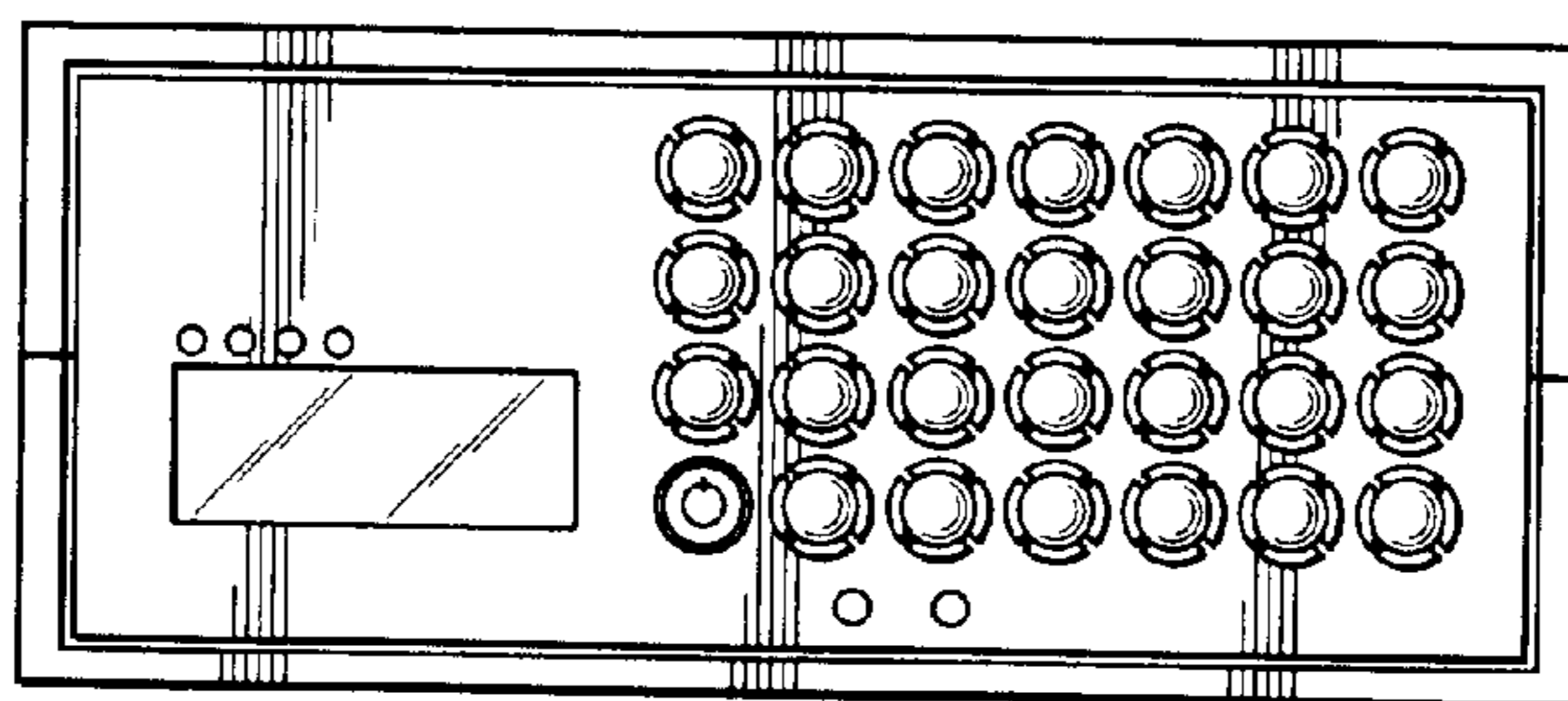


FIG. 3

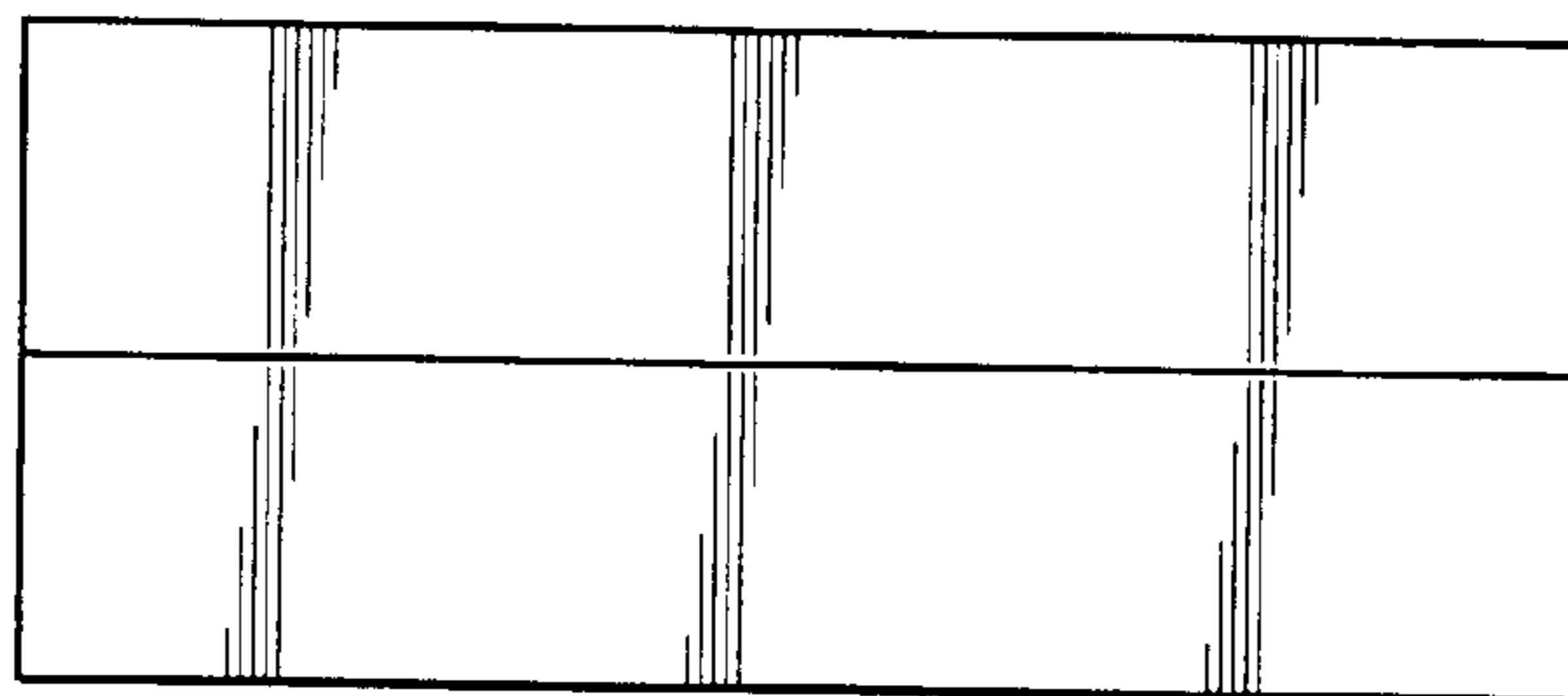


FIG. 4

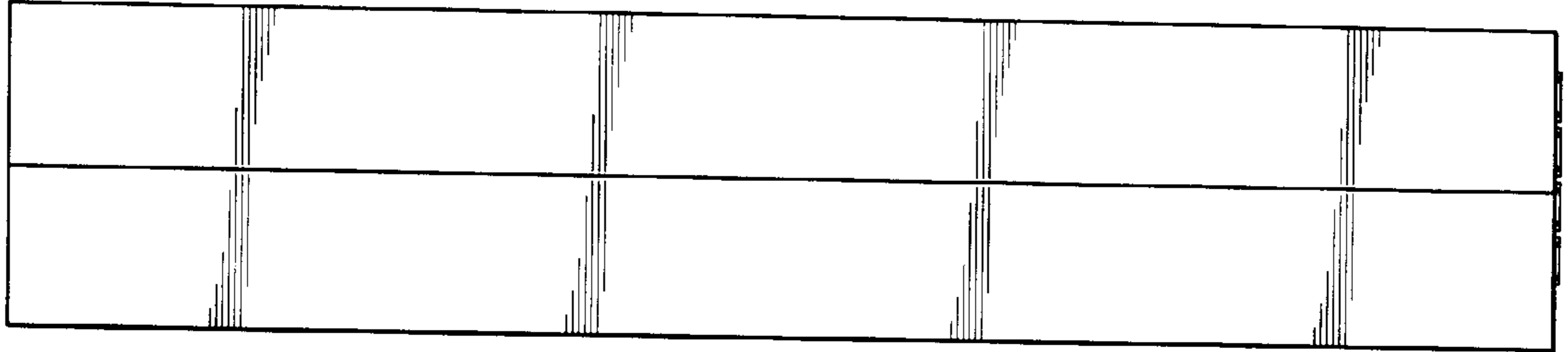


FIG. 5

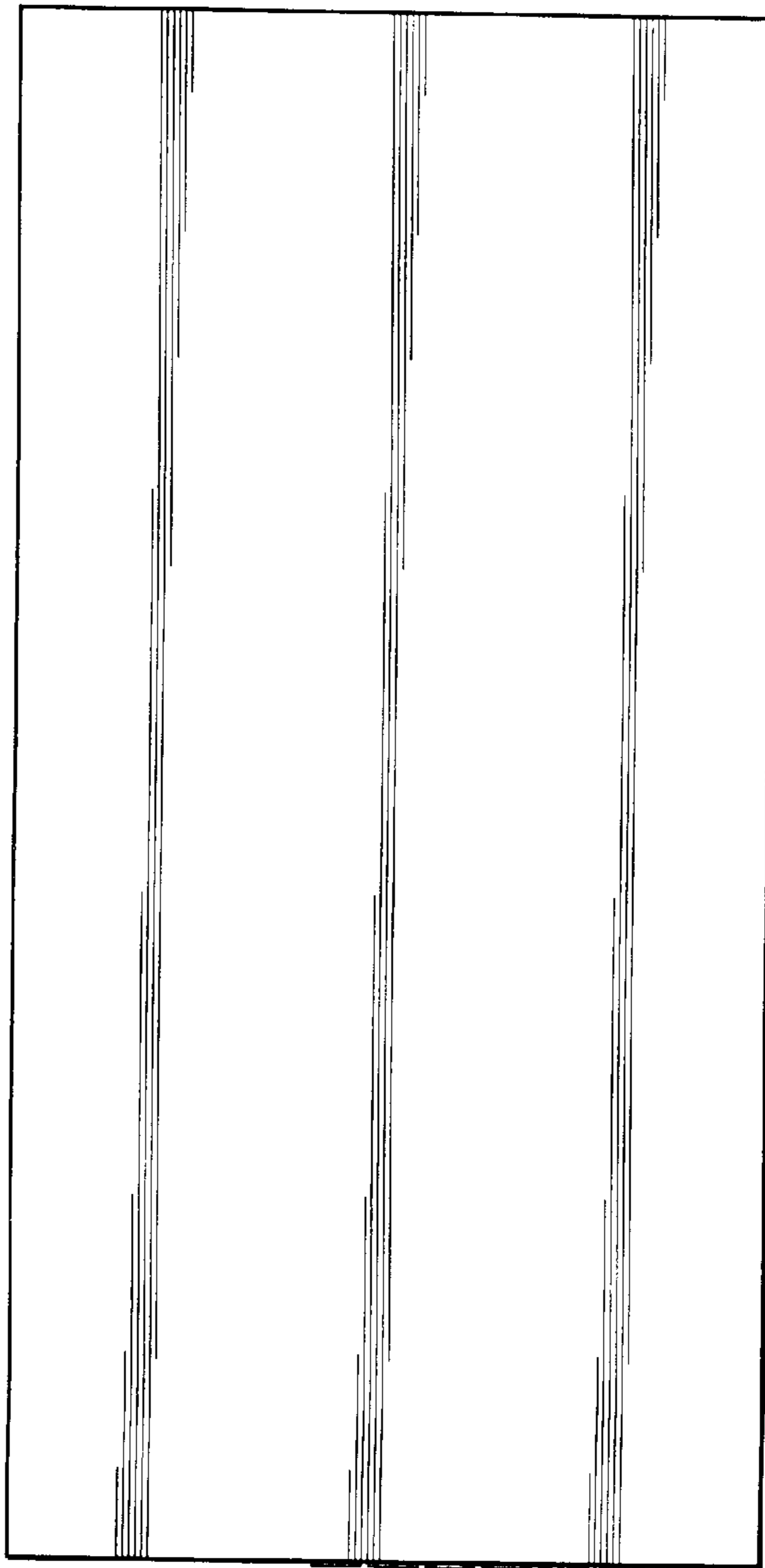


FIG. 6

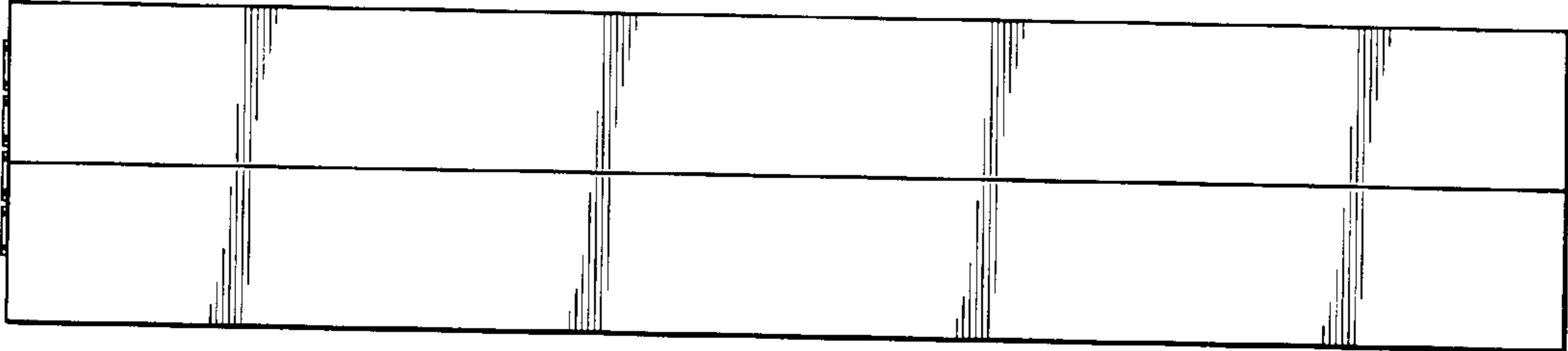


FIG. 7

