



US00D483755S

(12) **United States Design Patent**  
**Arnold et al.**

(10) **Patent No.: US D483,755 S**

(45) **Date of Patent: \*\* Dec. 16, 2003**

(54) **COMPUTER CABINET**

D458,971 S 6/2002 Stephan  
D462,025 S 8/2002 Ripoché

(75) Inventors: **Joe F. Arnold**, Palm Beach Gardens,  
FL (US); **Charles P. Bardons**, Port St.  
Lucie, FL (US); **Albert Eng**,  
Huntsville, AL (US)

**OTHER PUBLICATIONS**

“Rosie, the Maid from The Jetsons,” at <http://www.jeff-bots.com/rosie.html>.

A picture of Rosie from The Jetsons at [http://store1.yimg.com/I/rnrdist\\_1699\\_7979719](http://store1.yimg.com/I/rnrdist_1699_7979719).

“Rosie’s Personal Gallery,” at [http://www.cybercomm.nl/~ivo/photo\\_ROSIE.html](http://www.cybercomm.nl/~ivo/photo_ROSIE.html).

\* cited by examiner

*Primary Examiner*—Joel Sincavage

(74) *Attorney, Agent, or Firm*—Sterne, Kessler, Goldstein & Fox P.L.L.C.

(73) Assignee: **Cross Match Technologies, Inc.**, Palm  
Beach Gardens, FL (US)

(\*\*) Term: **14 Years**

(21) Appl. No.: **29/164,705**

(22) Filed: **Jul. 31, 2002**

(51) **LOC (7) Cl.** ..... **14-02**

(52) **U.S. Cl.** ..... **D14/302**

(58) **Field of Search** ..... D14/300–313,  
D14/348–356; 312/223.2; 361/683, 724

(57) **CLAIM**

The ornamental design for a computer cabinet, as shown and described.

(56) **References Cited**

**DESCRIPTION**

**U.S. PATENT DOCUMENTS**

D179,998 S	*	4/1957	Wells et al.	.....	D14/305 X
D194,874 S	*	3/1963	Burlin et al.	.....	D14/304
D211,579 S	*	7/1968	Cordes, Jr.	.....	D14/307
D236,623 S	*	9/1975	Fossell et al.	.....	D14/303
4,085,313 A	*	4/1978	Ness	.....	235/381
D254,249 S	*	2/1980	Biehl	.....	D14/302 X
D279,566 S	*	7/1985	Case	.....	D18/4.4
D458,968 S		6/2002	Taxon		

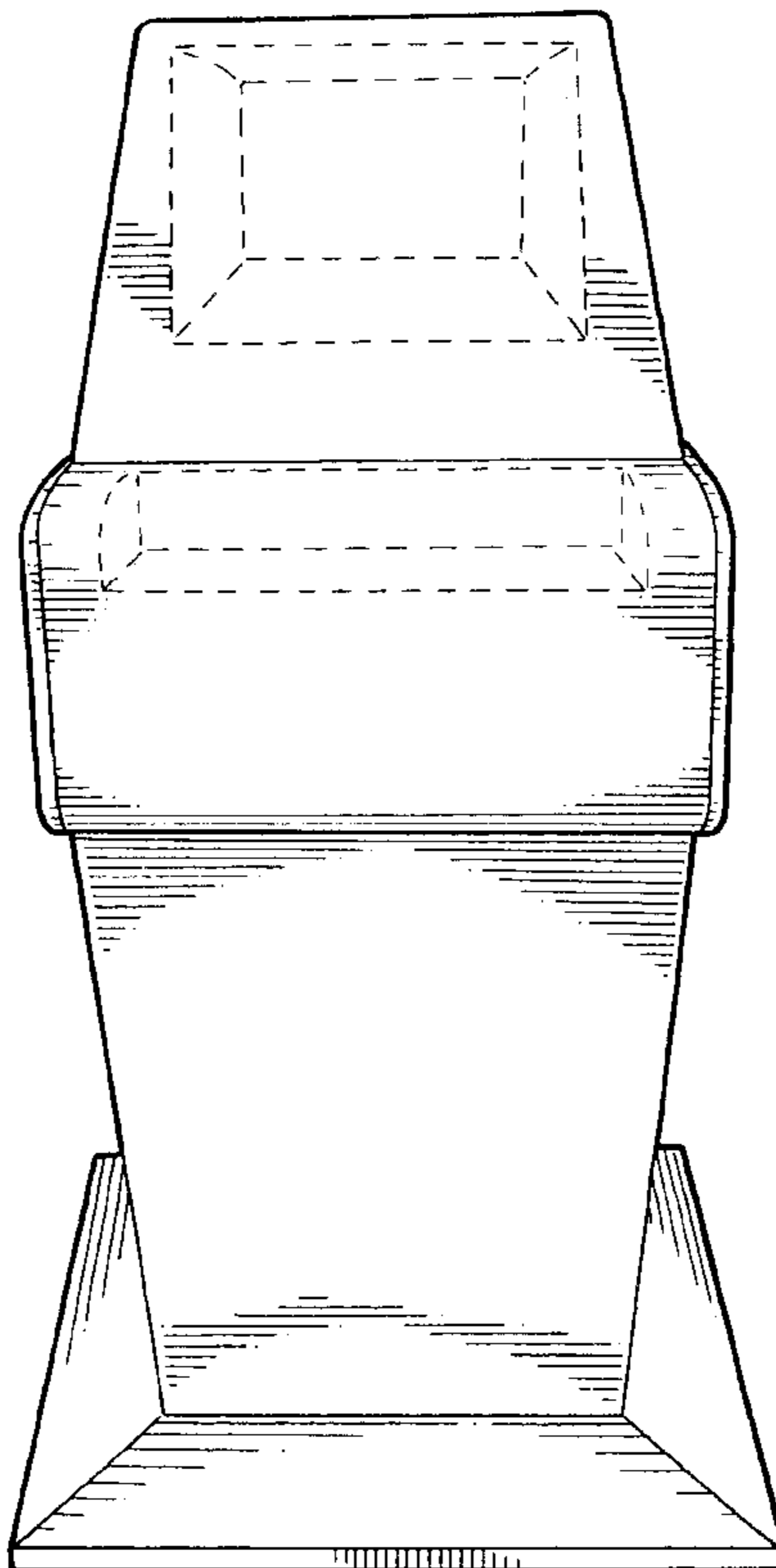
FIG. 1 is a front perspective view of a computer cabinet showing a new design;

FIG. 2 is a rear perspective view thereof; and,

FIG. 3 is a side perspective view thereof, the other side being a mirror image.

The areas shown in broken lines are environmental and form no part of the claimed design.

**1 Claim, 3 Drawing Sheets**



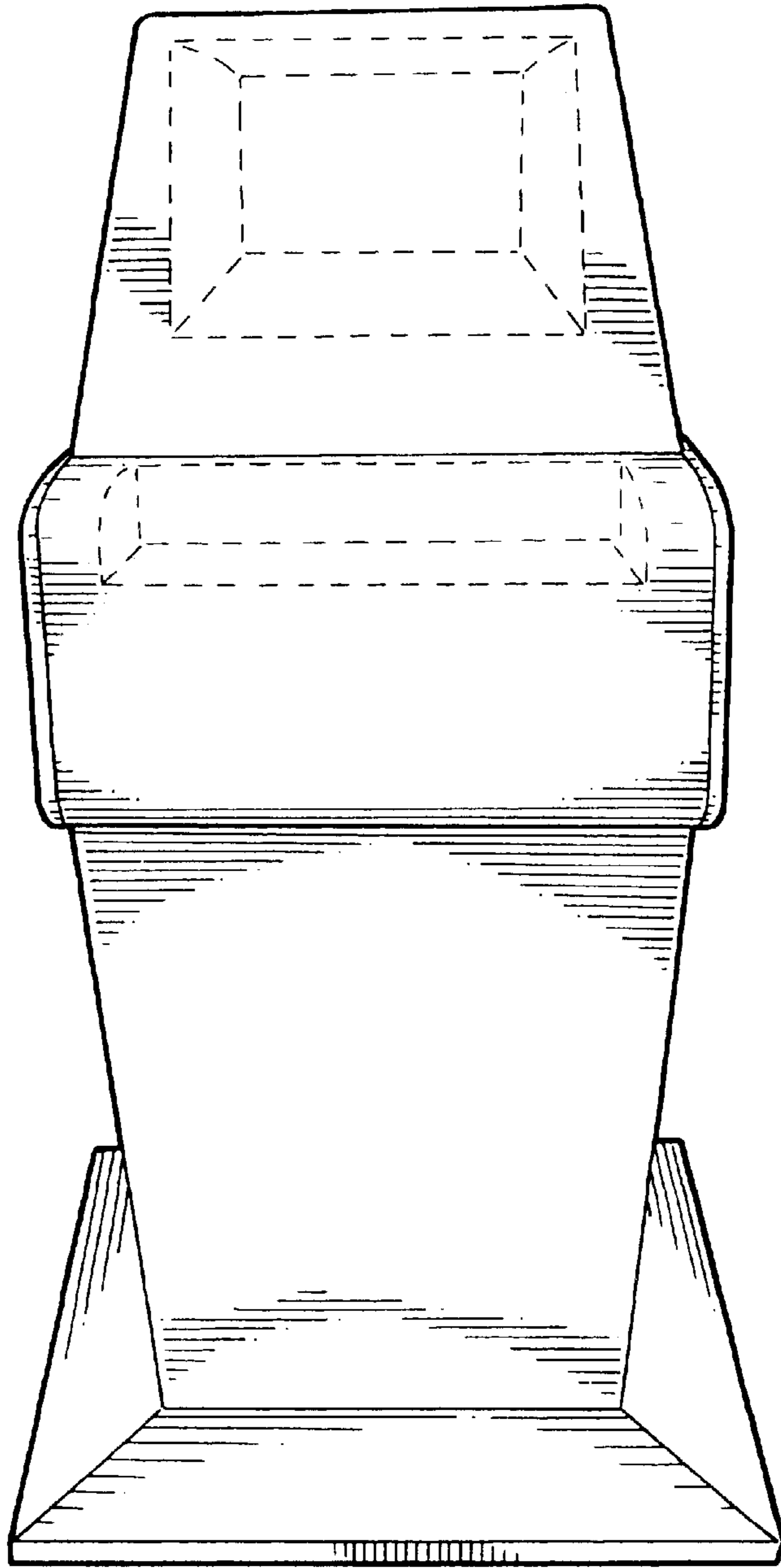


FIG. 1

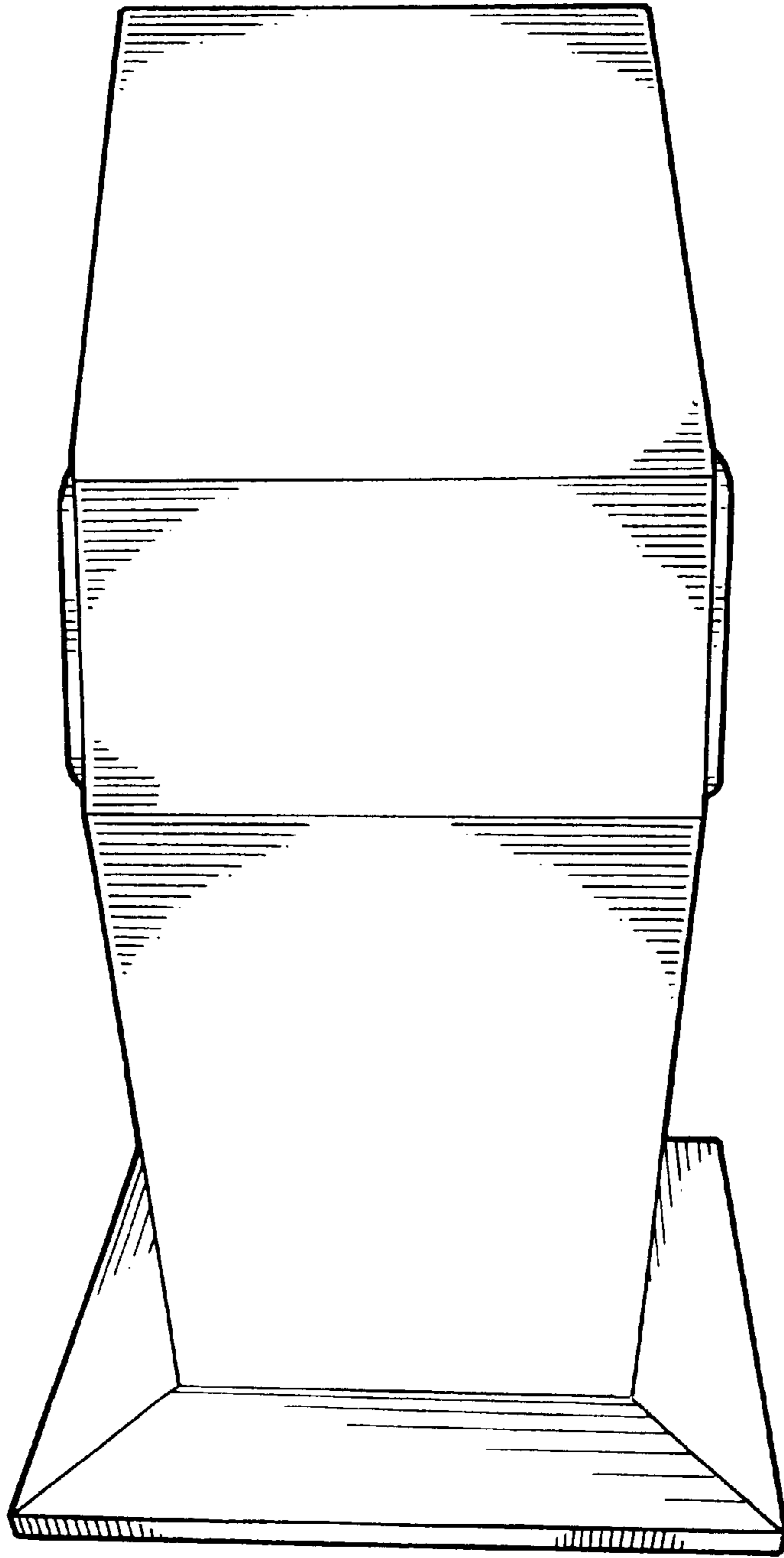


FIG. 2

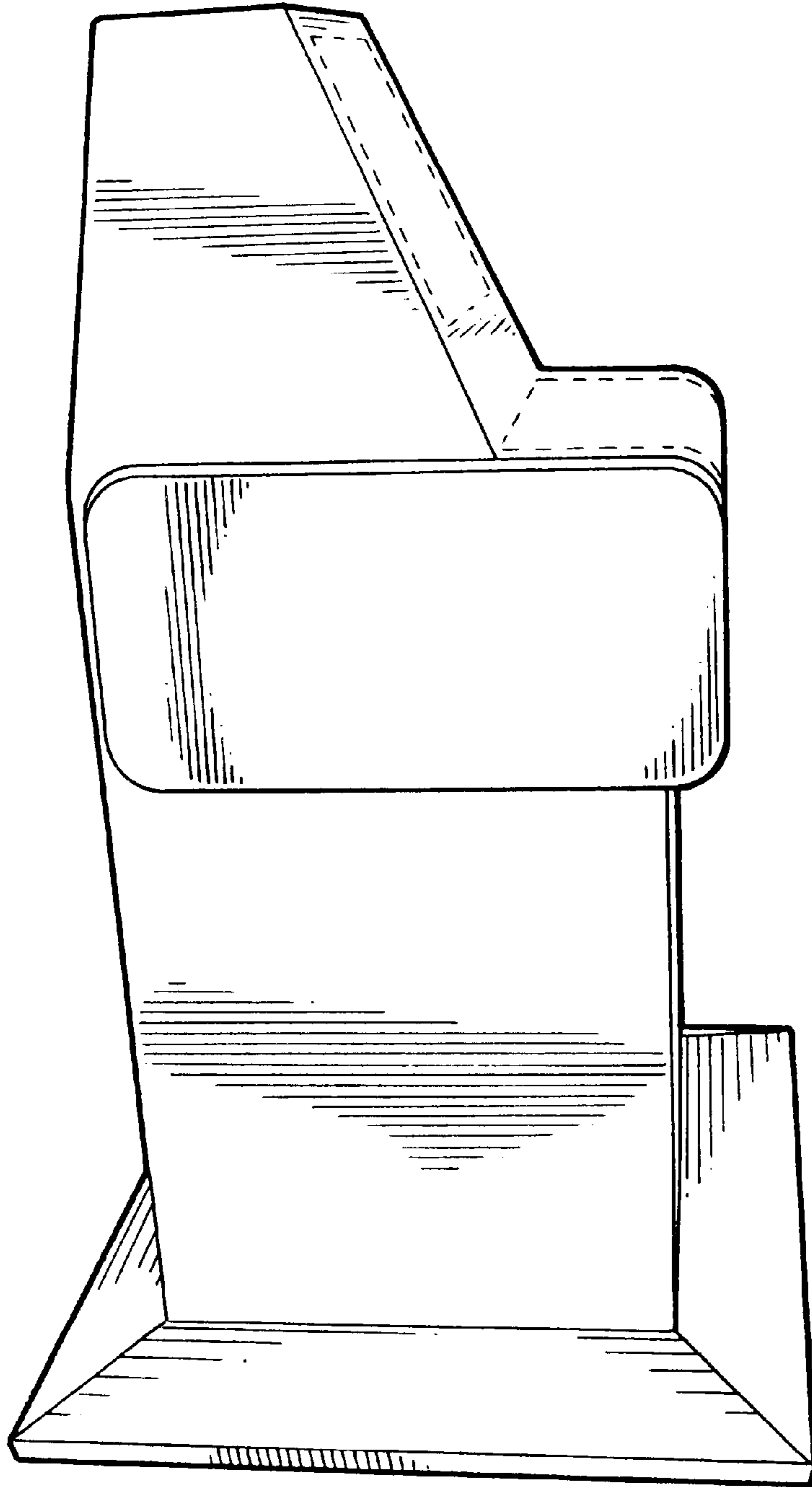


FIG. 3