



US00D483752S

(12) **United States Design Patent**  
**Fahrendorff**

(10) **Patent No.:** **US D483,752 S**

(45) **Date of Patent:** **\*\* Dec. 16, 2003**

(54) **HANDSET**

(75) Inventor: **Anders Fahrendorff**, Ottawa (CA)

(73) Assignee: **Mitel Knowledge Corporation**,  
Ontario (CA)

(\*\*) Term: **14 Years**

(21) Appl. No.: **29/170,135**

(22) Filed: **Nov. 1, 2002**

(30) **Foreign Application Priority Data**

May 2, 2002 (CA) ..... 99307

(51) **LOC (7) Cl.** ..... **14-03**

(52) **U.S. Cl.** ..... **D14/248**

(58) **Field of Search** ..... D14/137, 138,  
D14/218, 147-148, 247-248, 144, 149-151,  
341-347; 379/433.01-433.13, 419, 434,  
428.01-428.04, 420.01-420.04, 440; 455/550.1-90.3;  
D21/517

(56) **References Cited**

**U.S. PATENT DOCUMENTS**

|            |   |         |                     |       |         |
|------------|---|---------|---------------------|-------|---------|
| D301,146 S | * | 5/1989  | Jackwicz et al.     | ..... | D14/248 |
| D303,386 S | * | 9/1989  | Iino                | ..... | D14/142 |
| D305,025 S | * | 12/1989 | Masaaki             | ..... | D14/151 |
| D344,087 S | * | 2/1994  | Nagele et al.       | ..... | D14/248 |
| D344,272 S | * | 2/1994  | Desbarats           | ..... | D14/248 |
| D370,486 S | * | 6/1996  | Nuttall et al.      | ..... | D14/248 |
| D373,772 S | * | 9/1996  | Bennett et al.      | ..... | D14/248 |
| D374,012 S | * | 9/1996  | Bennett et al.      | ..... | D14/248 |
| D376,804 S | * | 12/1996 | Mergenthaler et al. | ....  | D14/248 |

|            |   |         |                  |       |         |
|------------|---|---------|------------------|-------|---------|
| D377,172 S | * | 1/1997  | Zeitman          | ..... | D14/150 |
| D385,556 S | * | 10/1997 | Diamantis et al. | ..... | D14/147 |
| D391,570 S | * | 3/1998  | Rosati et al.    | ..... | D14/151 |
| D391,578 S | * | 3/1998  | Brunner et al.   | ..... | D14/248 |
| D393,469 S | * | 4/1998  | Diamantis et al. | ..... | D14/248 |
| D393,645 S | * | 4/1998  | Langlois et al.  | ..... | D14/248 |
| D394,065 S | * | 5/1998  | Nuttall et al.   | ..... | D14/248 |
| D408,825 S | * | 4/1999  | Johnson et al.   | ..... | D14/248 |
| D409,624 S | * | 5/1999  | Chiocchi         | ..... | D14/248 |
| D410,655 S | * | 6/1999  | Delhaes          | ..... | D14/248 |
| D421,606 S | * | 3/2000  | Montalbo et al.  | ..... | D14/151 |
| D458,599 S | * | 6/2002  | Nagase           | ..... | D14/248 |

**FOREIGN PATENT DOCUMENTS**

WO DM/052289 \* 5/2000

\* cited by examiner

*Primary Examiner*—Jeffrey Asch

(74) *Attorney, Agent, or Firm*—Keating & Bennett, LLP

(57) **CLAIM**

The ornamental design for a handset, as shown.

**DESCRIPTION**

FIG. 1 is a perspective view of the handset according to my design;

FIG. 2 is a plan view of the handset according to my design;

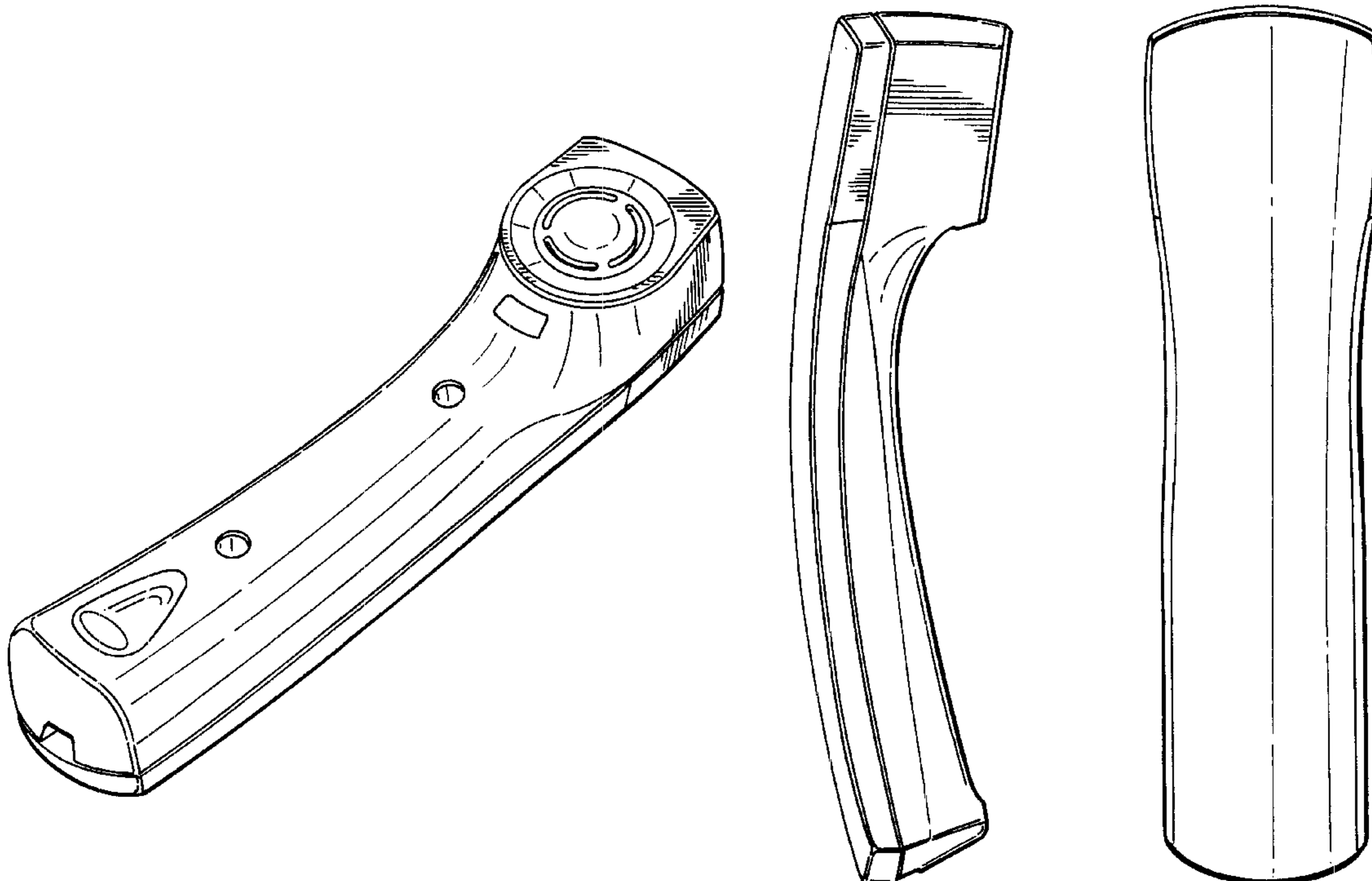
FIG. 3 is a side view of the handset according to my design;

FIG. 4 is a rear view of the handset according to my design;

FIG. 5 is a bottom view of the handset according to my design; and,

FIG. 6 is a top view of the handset according to my design.

**1 Claim, 2 Drawing Sheets**



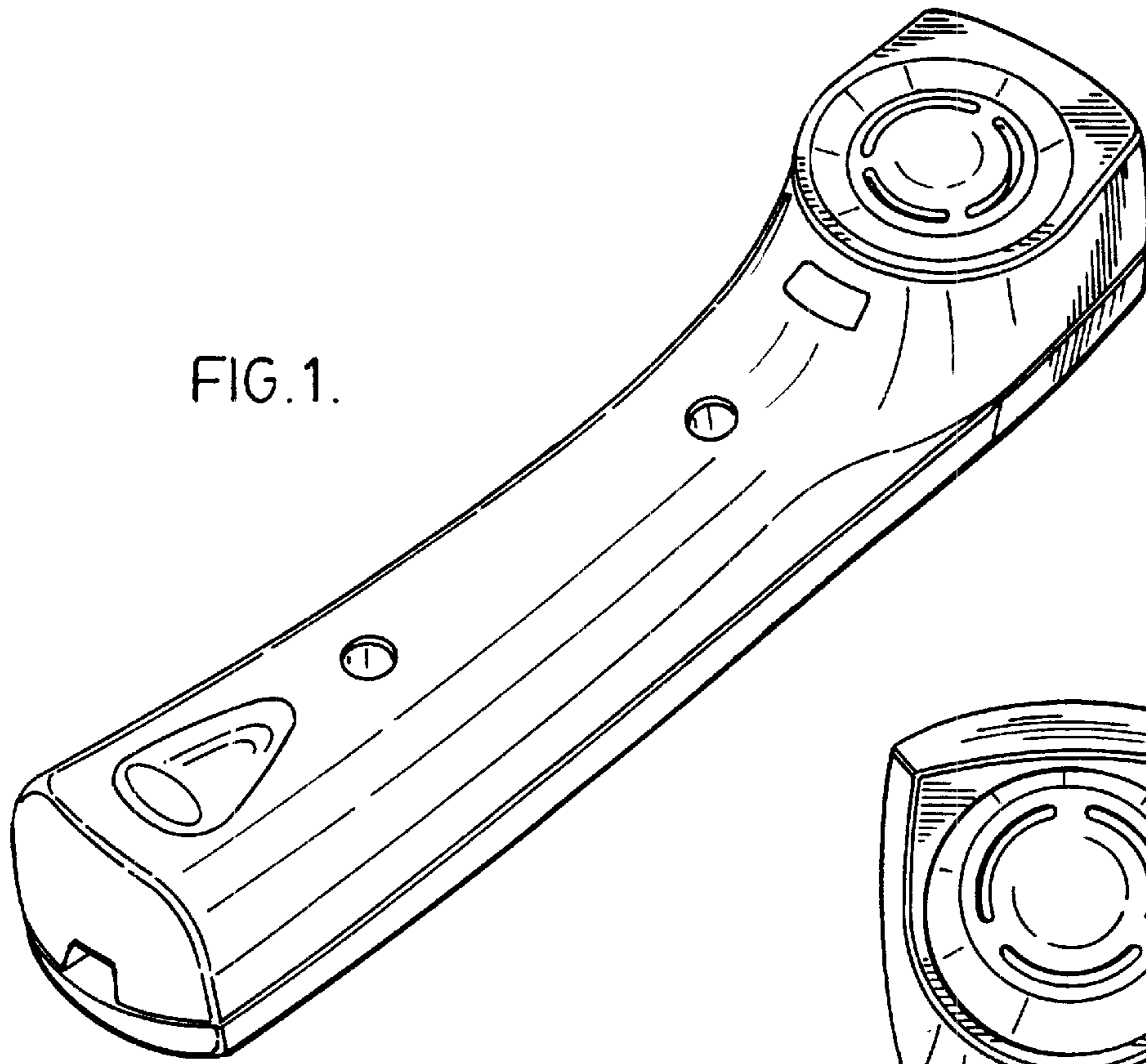


FIG. 1.

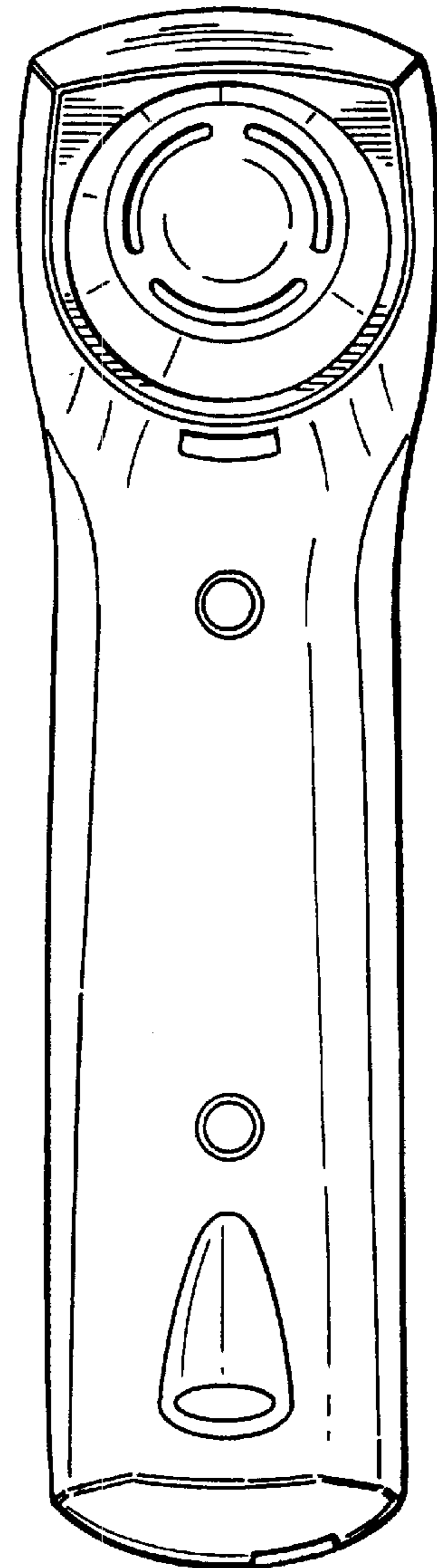


FIG. 2.

FIG. 3.



FIG. 4.

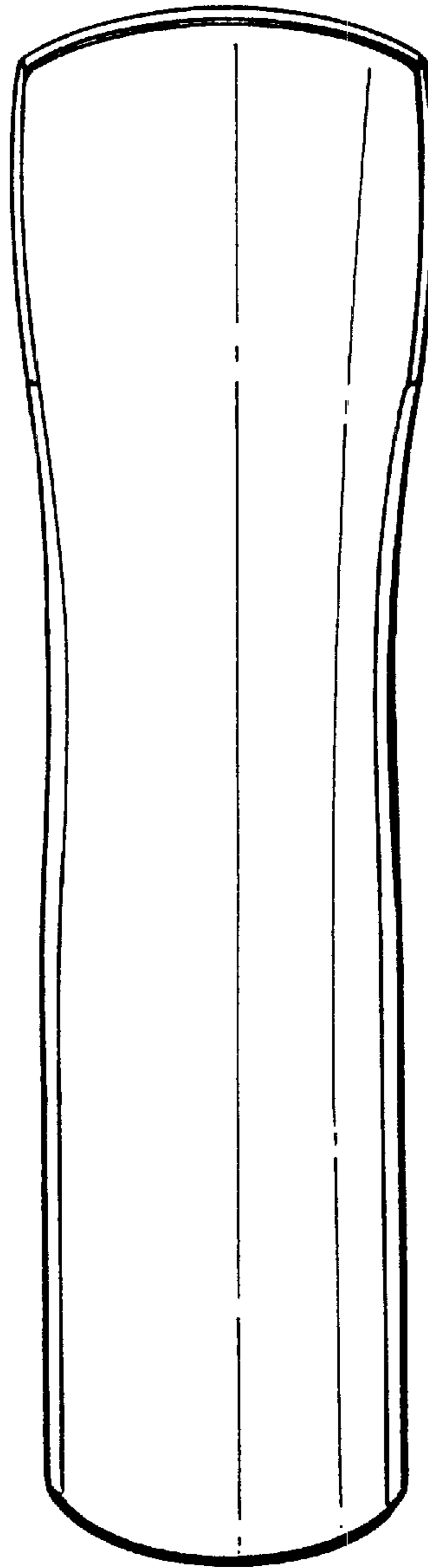


FIG. 5.

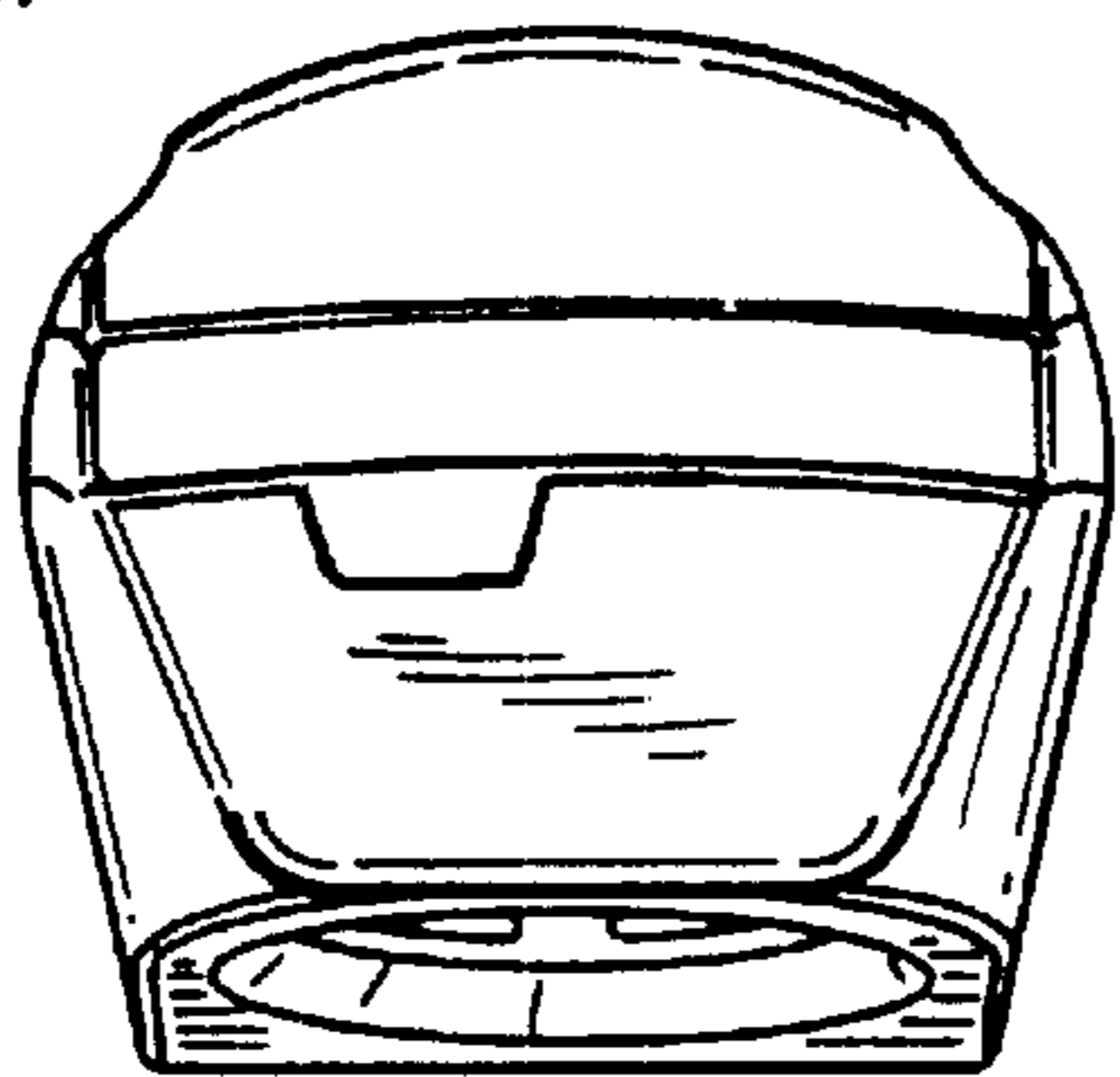


FIG. 6.

