



US00D483748S

(12) **United States Design Patent**  
**Alviar et al.**

(10) **Patent No.:** **US D483,748 S**

(45) **Date of Patent:** **\*\* Dec. 16, 2003**

(54) **PORTION OF A HOUSING FOR A DATA ROUTER**

(75) Inventors: **Christopher G. Alviar**, Seattle, WA (US); **Chris A. Murzanski**, Issaquah, WA (US)

(73) Assignee: **Microsoft Corporation**, Redmond, WA (US)

(\*\*) Term: **14 Years**

(21) Appl. No.: **29/167,572**

(22) Filed: **Sep. 18, 2002**

(51) **LOC (7) Cl.** ..... **14-03**

(52) **U.S. Cl.** ..... **D14/240**

(58) **Field of Search** ..... D14/240, 140, D14/217, 299, 257, 301; D13/184; 333/109, 110; 379/347, 413.02; 439/717, 74

(56) **References Cited**

**U.S. PATENT DOCUMENTS**

- D291,310 S \* 8/1987 Ogura ..... D14/191
- D346,806 S \* 5/1994 Chong ..... D14/240
- D351,841 S \* 10/1994 Blankenship et al. .... D14/242
- D357,906 S \* 5/1995 Fukushima ..... D14/358

- D358,380 S \* 5/1995 Sakaguchi ..... D14/357
- D373,125 S \* 8/1996 Khoo ..... D14/191
- D431,231 S \* 9/2000 Goto ..... D14/356
- D475,370 S \* 6/2003 Bone et al. .... D14/301

\* cited by examiner

*Primary Examiner*—Charles A. Rademaker

(74) *Attorney, Agent, or Firm*—Banner & Witcoff, Ltd.

(57) **CLAIM**

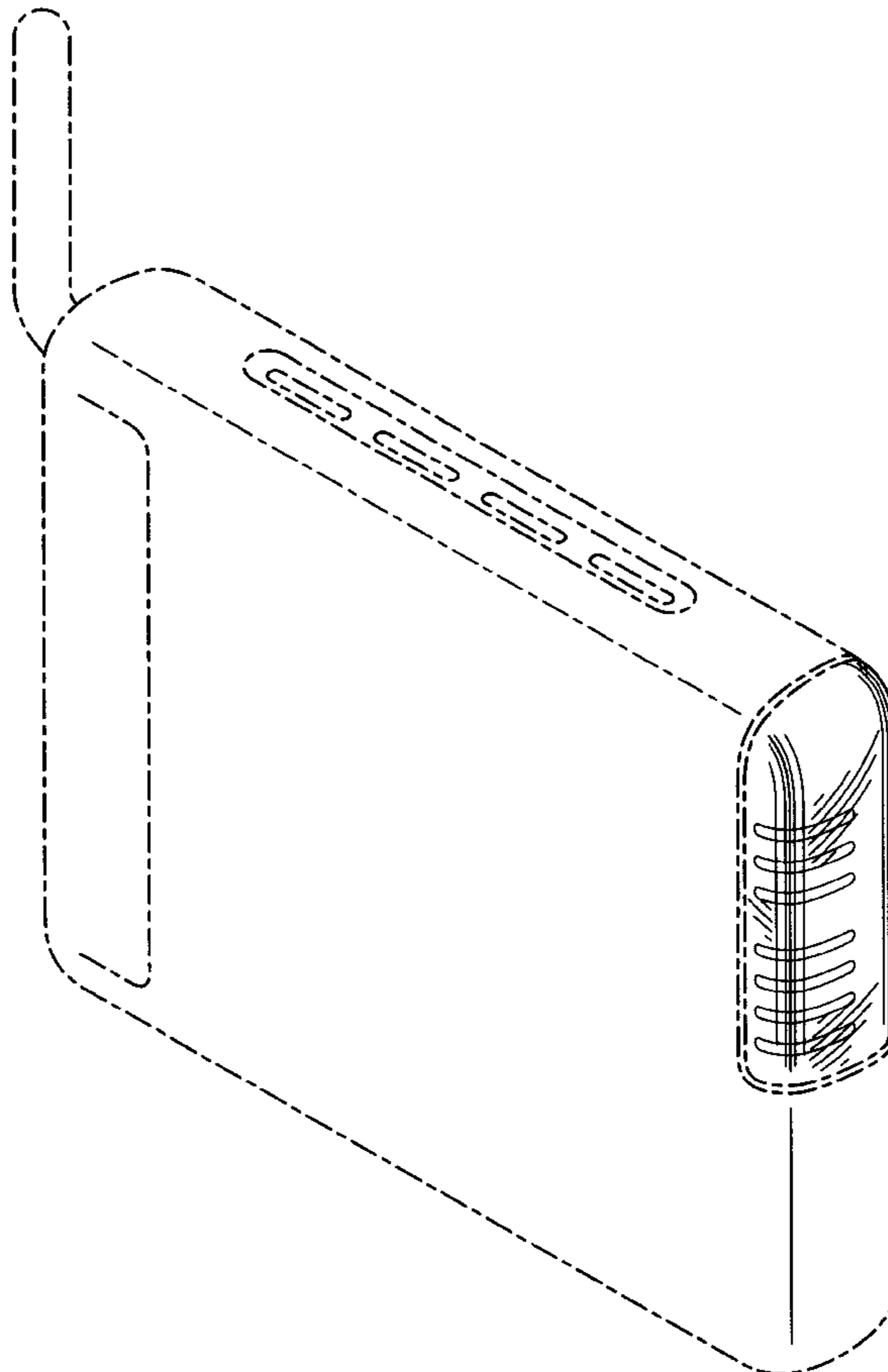
The ornamental design for a portion of a housing for a data router, as shown and described.

**DESCRIPTION**

FIG. 1 is a first perspective view of a portion of a housing for a data router showing our new design; FIG. 2 is a second perspective view thereof; FIG. 3 is a left side view thereof; FIG. 4 is a right side view thereof; FIG. 5 is a top view thereof; and, FIG. 6 is a front view thereof.

The broken line showing of the periphery of shaded region forms an unclaimed boundary of the design. The broken line showing of the remainder of the housing is for illustrative purposes only and forms no part of the claimed design.

**1 Claim, 5 Drawing Sheets**



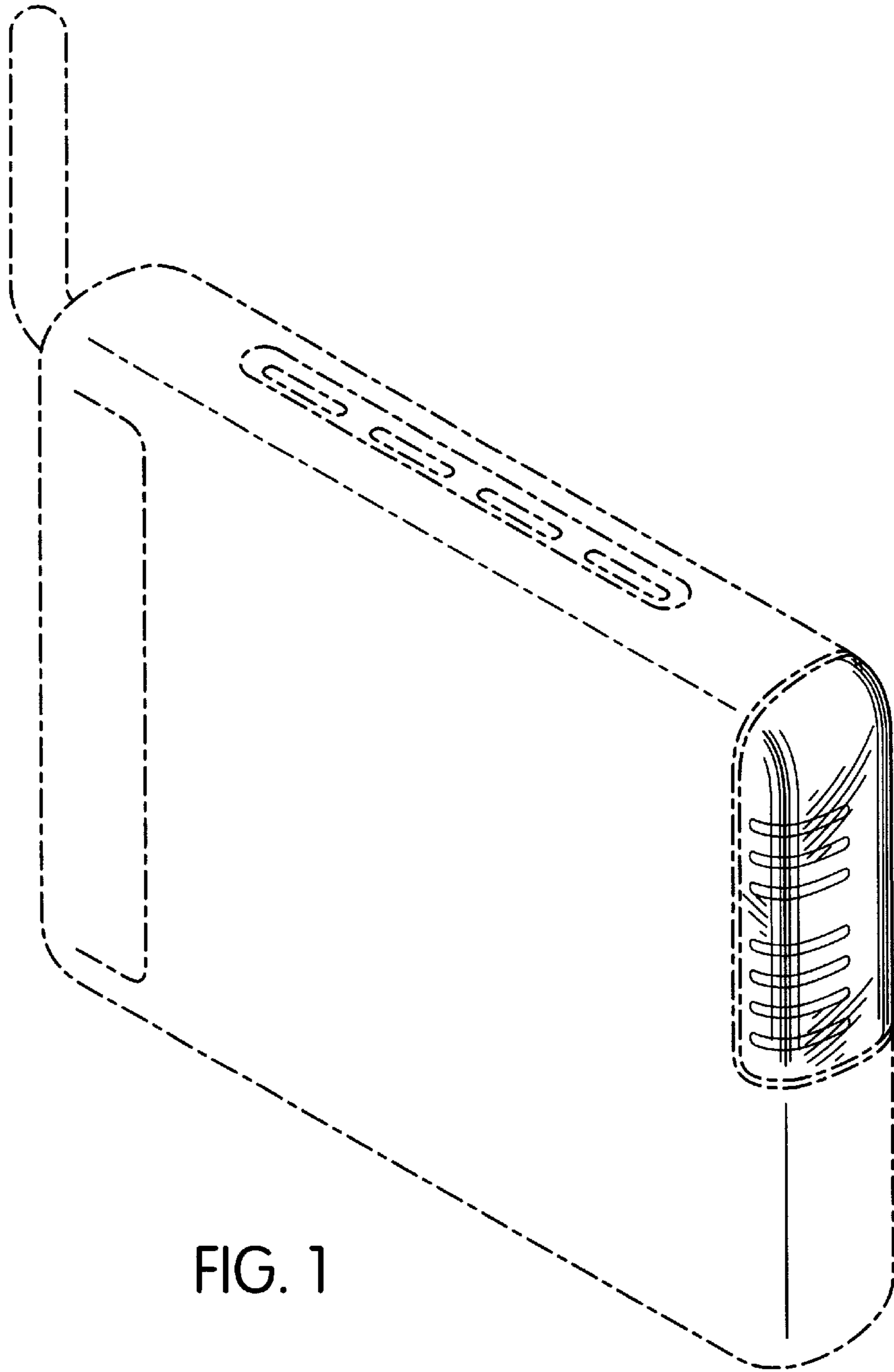


FIG. 1

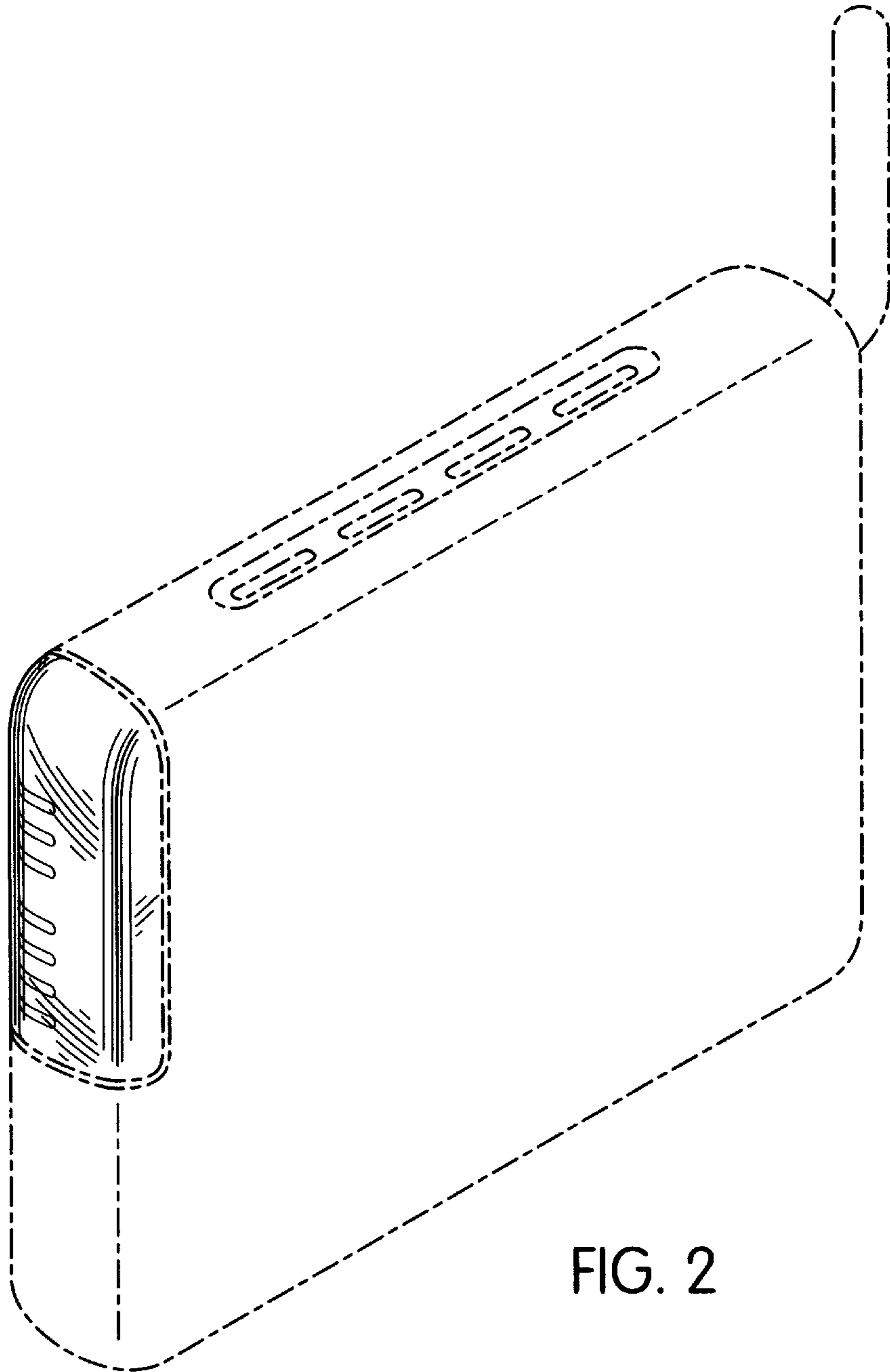


FIG. 2

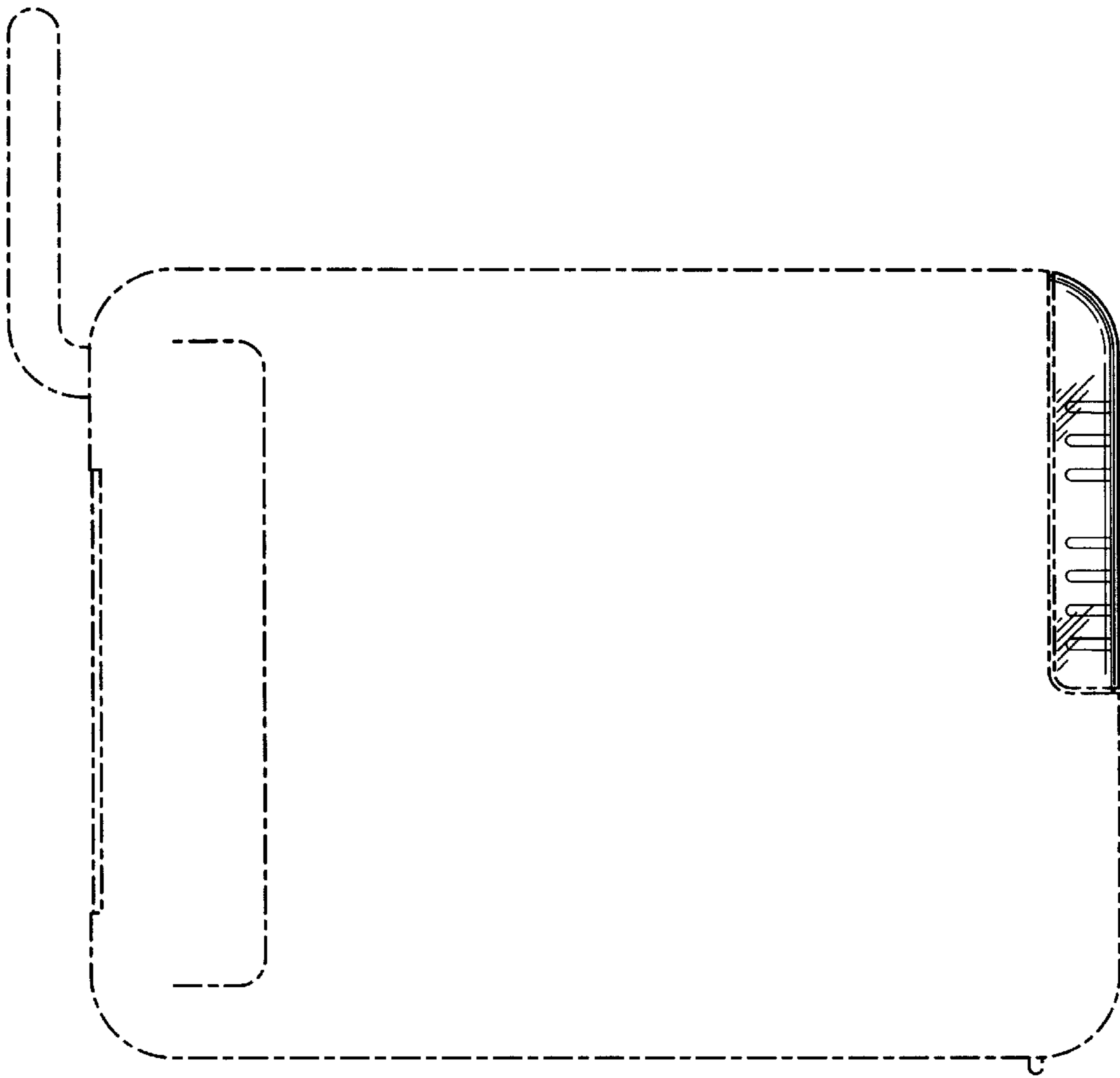


FIG. 3

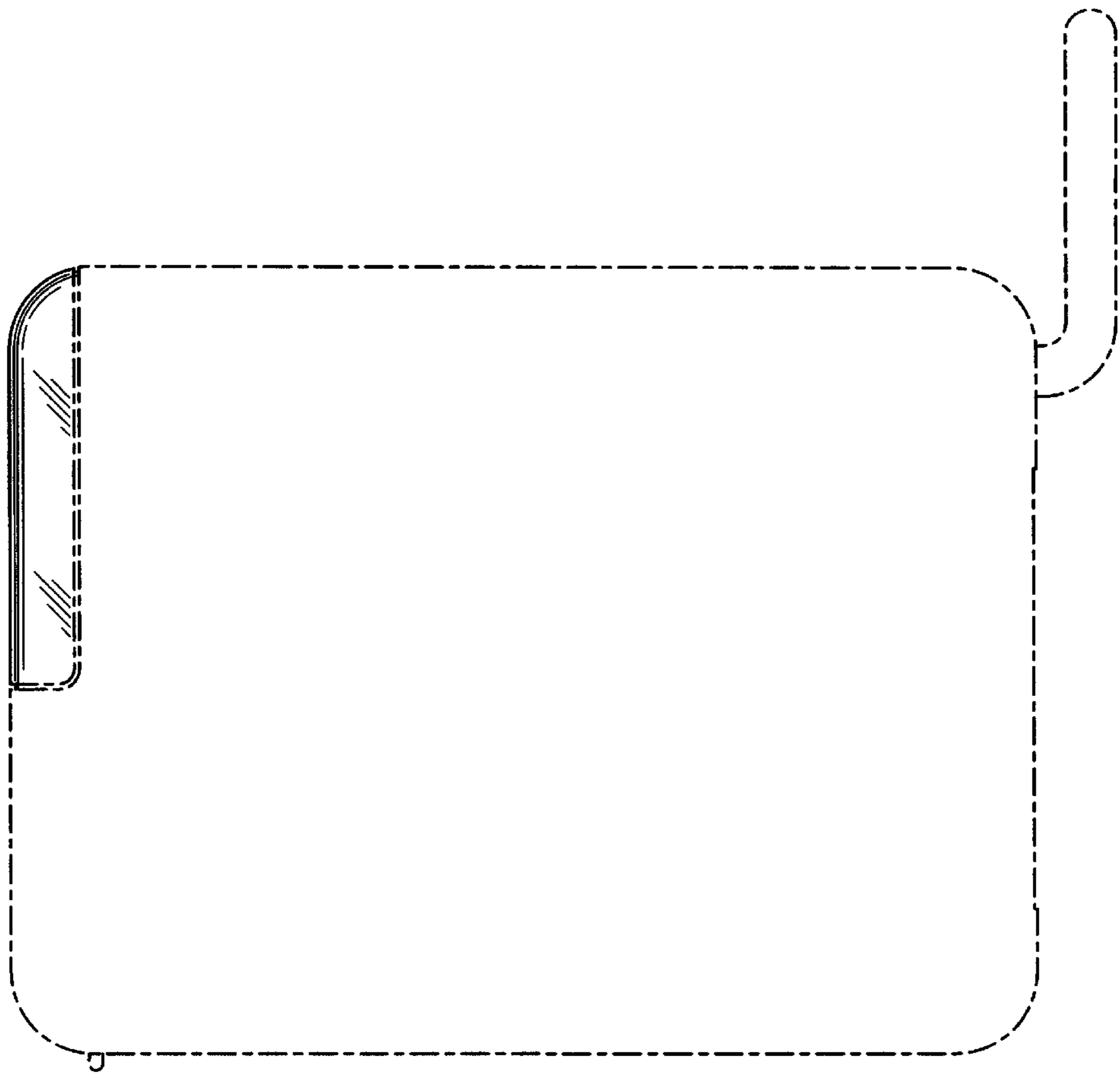


FIG. 4

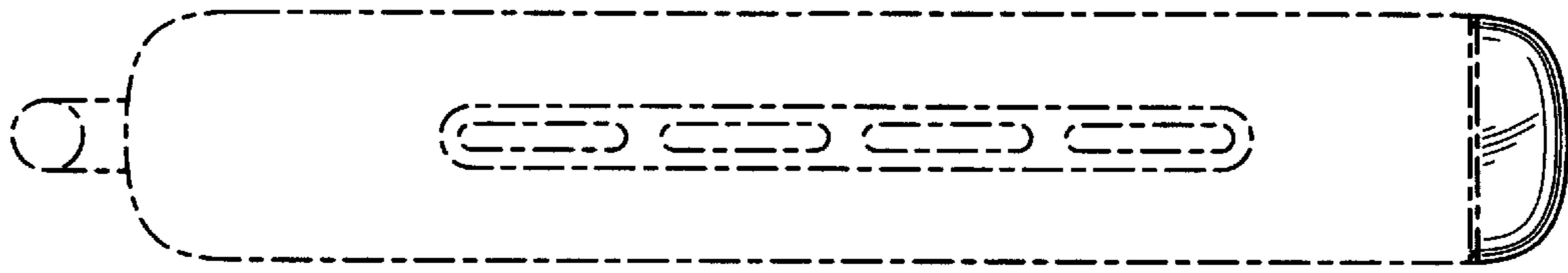


FIG. 5

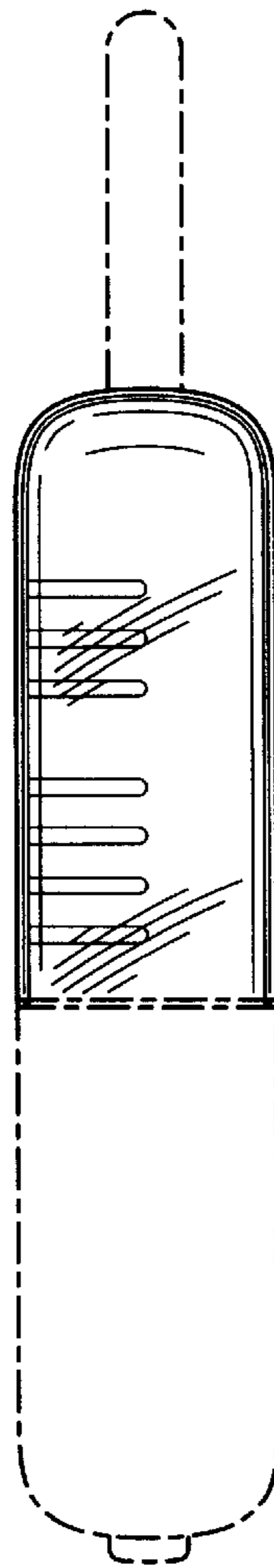


FIG. 6

UNITED STATES PATENT AND TRADEMARK OFFICE  
**CERTIFICATE OF CORRECTION**

PATENT NO. : Des. 483,748 S  
DATED : December 16, 2003  
INVENTOR(S) : Alviar et al.

Page 1 of 1

It is certified that error appears in the above-identified patent and that said Letters Patent is hereby corrected as shown below:

Title page,

Item [56], **References Cited**, U.S. PATENT DOCUMENTS, the following should be added:

-- D363,722 10/1995 Aldridge et al.

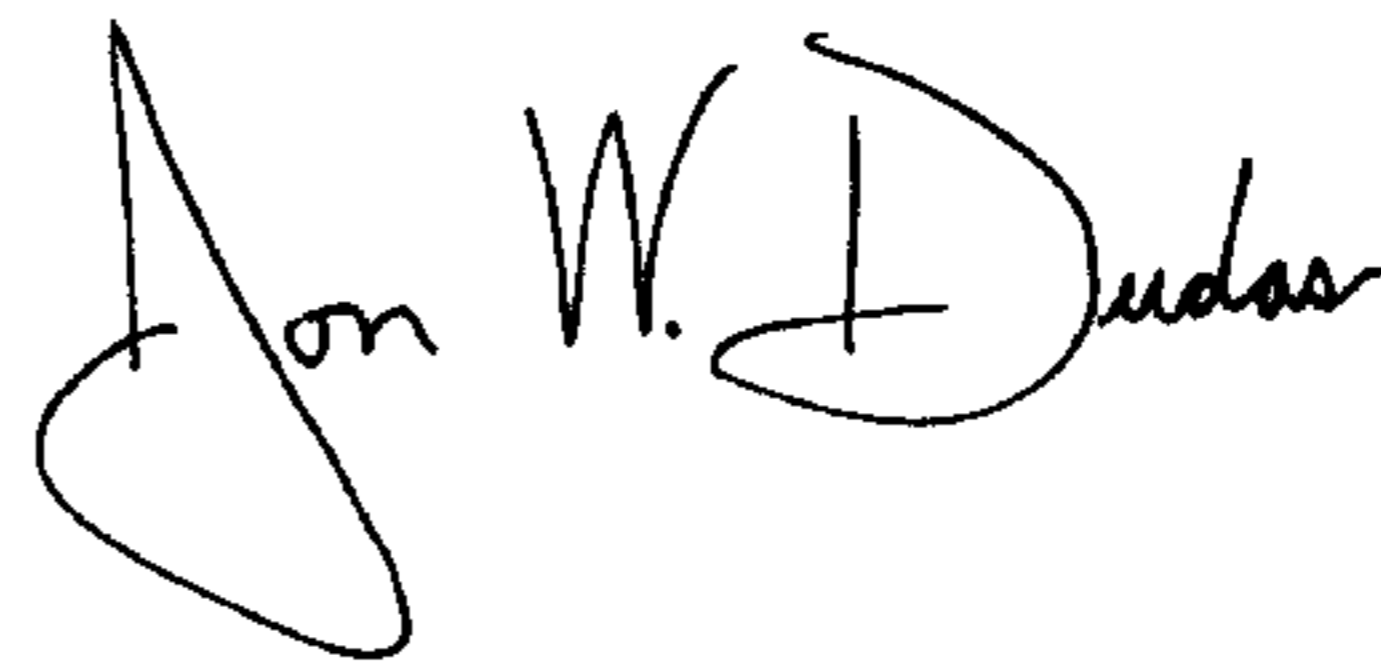
D475,369 6/2003 Bone et al. --; and please add the following:

-- FOREIGN PATENT DOCUMENTS

KR 30-0324332 --

Signed and Sealed this

Twenty-fourth Day of February, 2004



JON W. DUDAS

*Acting Director of the United States Patent and Trademark Office*