



US00D483747S

(12) **United States Design Patent**  
**Berube**

(10) **Patent No.: US D483,747 S**

(45) **Date of Patent: \*\* Dec. 16, 2003**

(54) **CALLER ID UNIT**

D474,037 S \* 5/2003 Shih ..... D6/308

(76) Inventor: **Todd M. Berube**, 33 Mark St., Bristol,  
CT (US) 06010

(\*\*) Term: **14 Years**

(21) Appl. No.: **29/166,831**

(22) Filed: **Sep. 4, 2002**

(51) **LOC (7) Cl.** ..... **14-03**

(52) **U.S. Cl.** ..... **D14/240**

(58) **Field of Search** ..... D6/300, 308, 310,  
D6/311; D14/240-246, 140, 299, 257; 379/347,  
433-436, 419, 420, 428, 440; 439/74, 717,  
413

(56) **References Cited**

**U.S. PATENT DOCUMENTS**

D130,131 S	*	10/1941	Pfleger et al.	.....	D6/311
D266,762 S	*	11/1982	Gibson	.....	D14/240
D268,265 S	*	3/1983	Gibson	.....	D14/240
D270,067 S	*	8/1983	Ackeret	.....	D6/308
D413,605 S	*	9/1999	Thomas	.....	D14/240
D431,234 S	*	9/2000	Crowe et al.	.....	D14/140
D433,573 S	*	11/2000	Rochon	.....	D6/308

**FOREIGN PATENT DOCUMENTS**

GB 1055937 \* 12/1989

GB 2036778 \* 2/1995

\* cited by examiner

*Primary Examiner*—Charles A. Rademaker

(57) **CLAIM**

The ornamental design for a caller id unit, as shown and described.

**DESCRIPTION**

FIG. 1 is a front elevational view of a caller id unit showing my new design;

FIG. 2 is a rear elevational view thereof;

FIG. 3 is a side view, taken from the left side of FIG. 1;

FIG. 4 is a side view, taken from the right side of FIG. 1;

FIG. 5 is a top plan view thereof; and,

FIG. 6 is a bottom plan view thereof.

The broken line showing caller information in FIGS. 1 and 6 are for illustrative purposes only and forms no part of the claimed design.

**1 Claim, 2 Drawing Sheets**

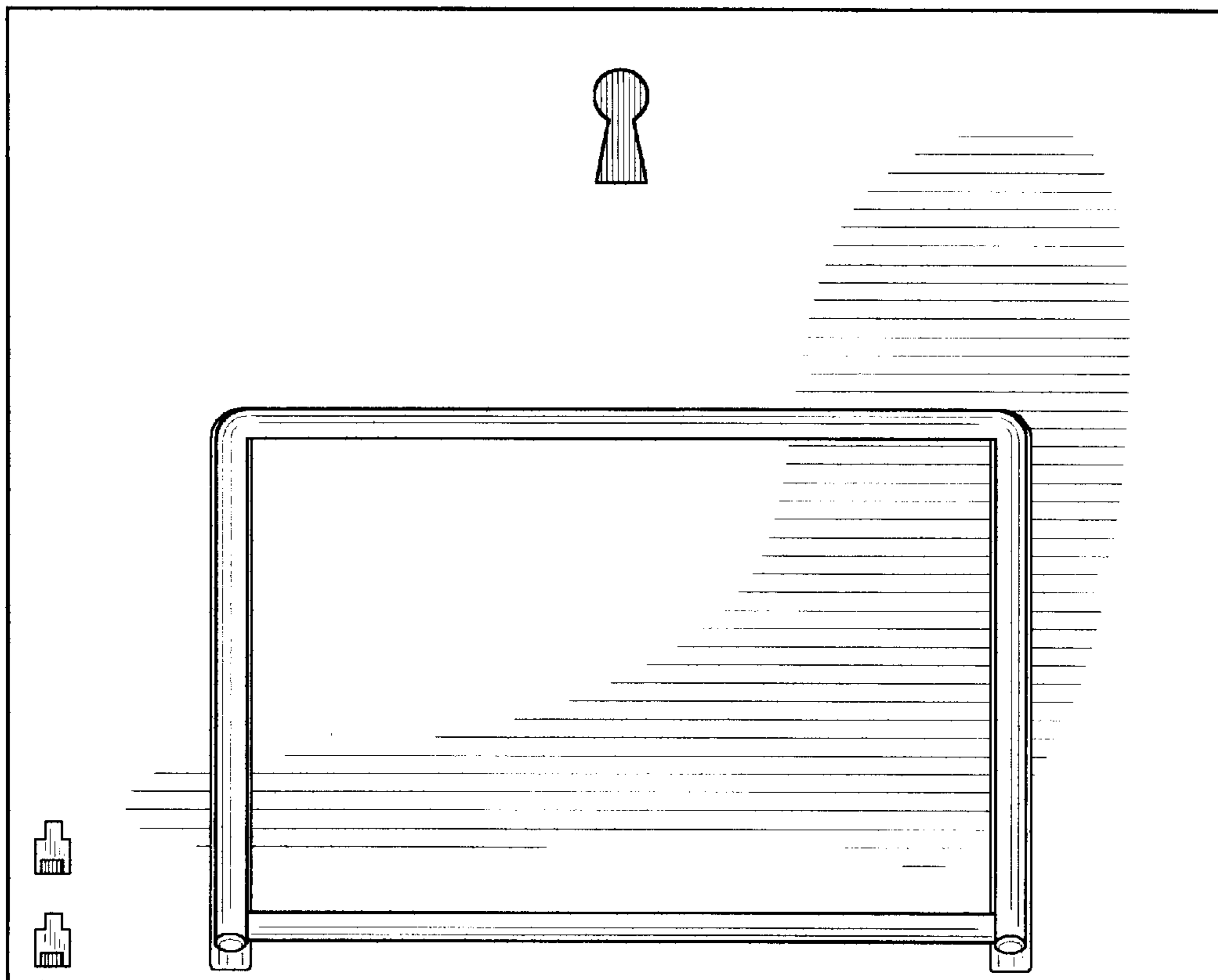


FIG. 1

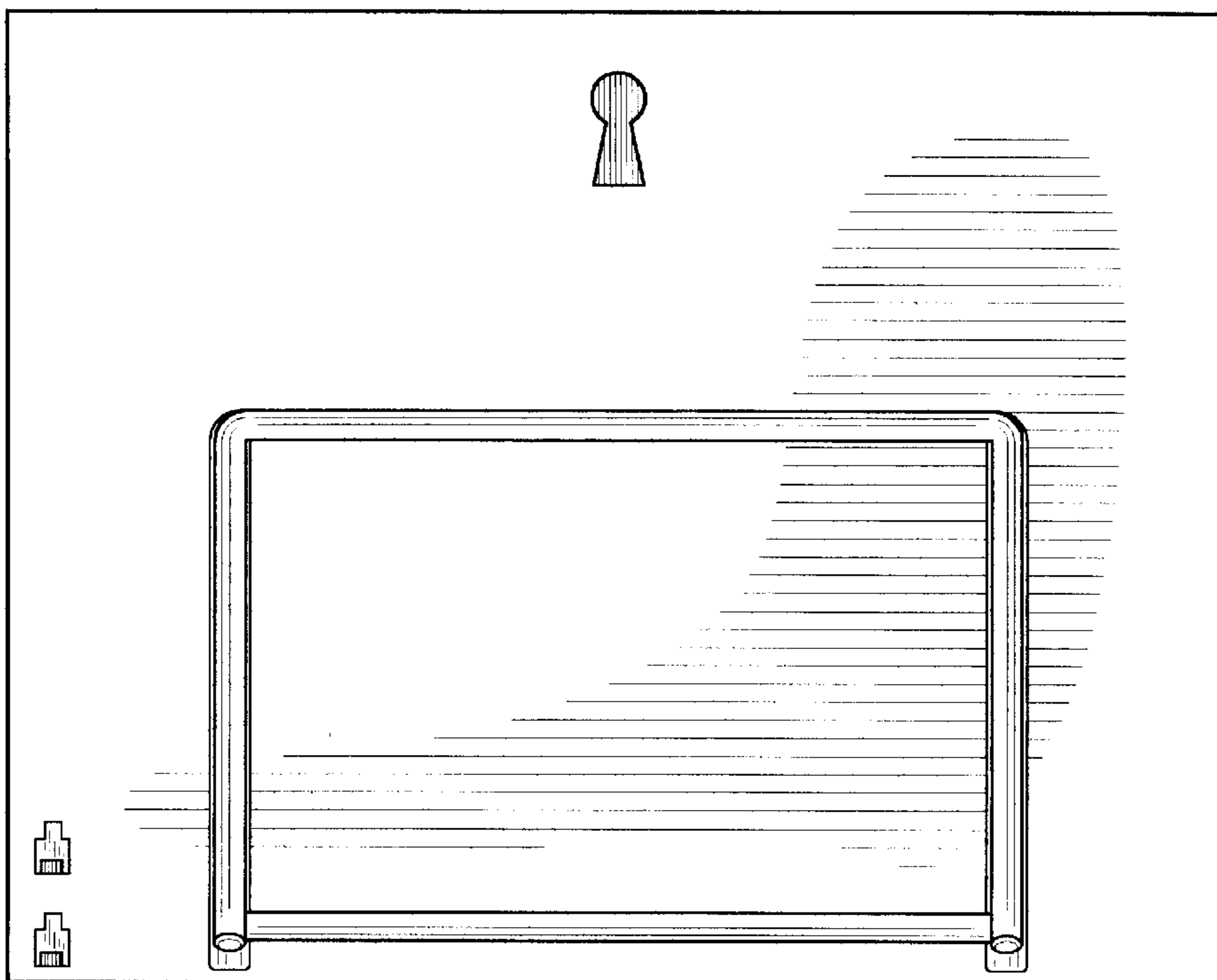
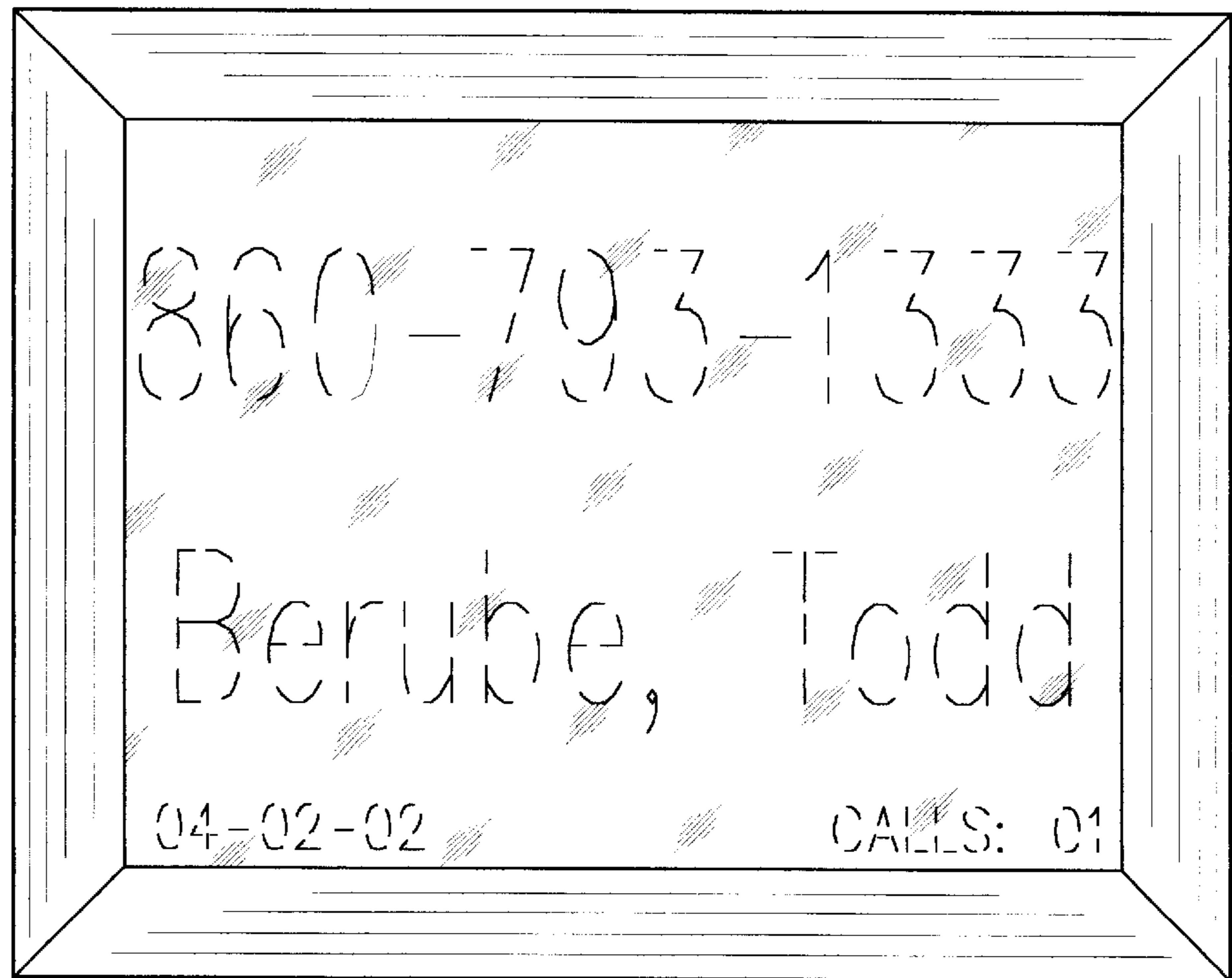


FIG. 2

FIG. 3

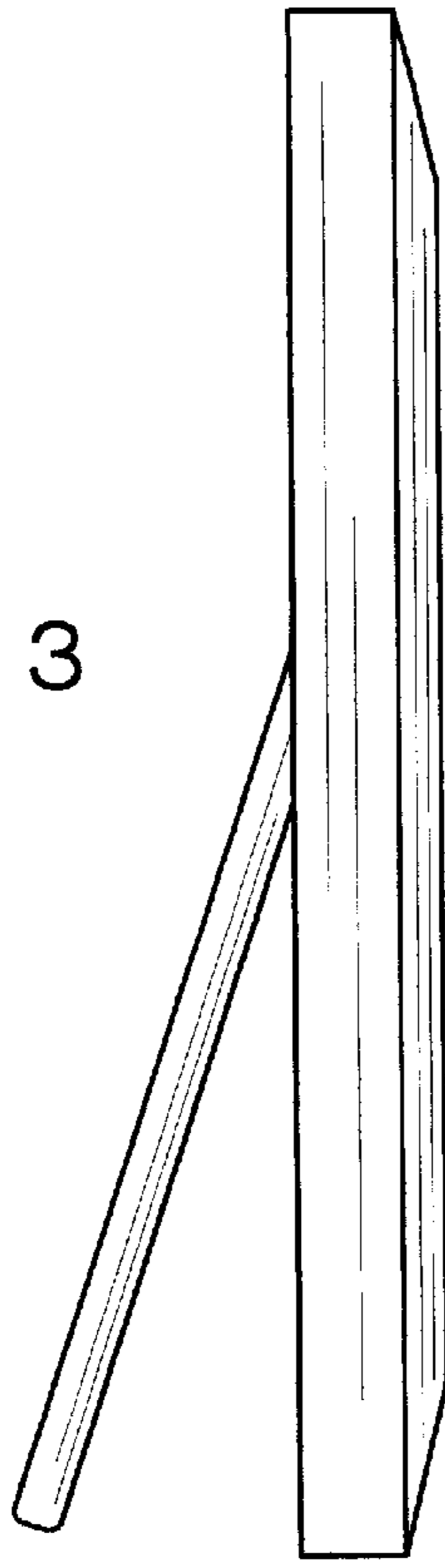


FIG. 4

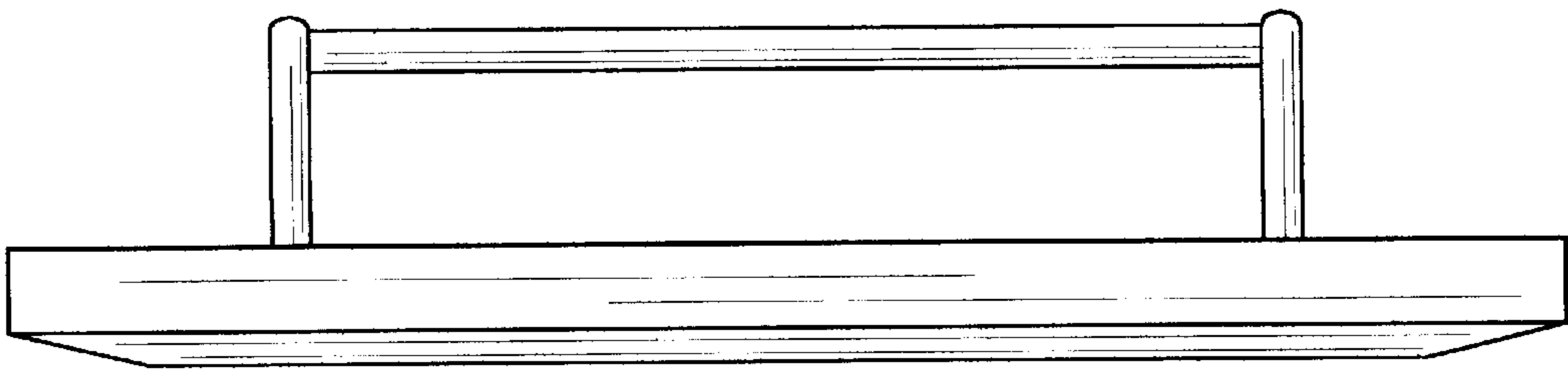
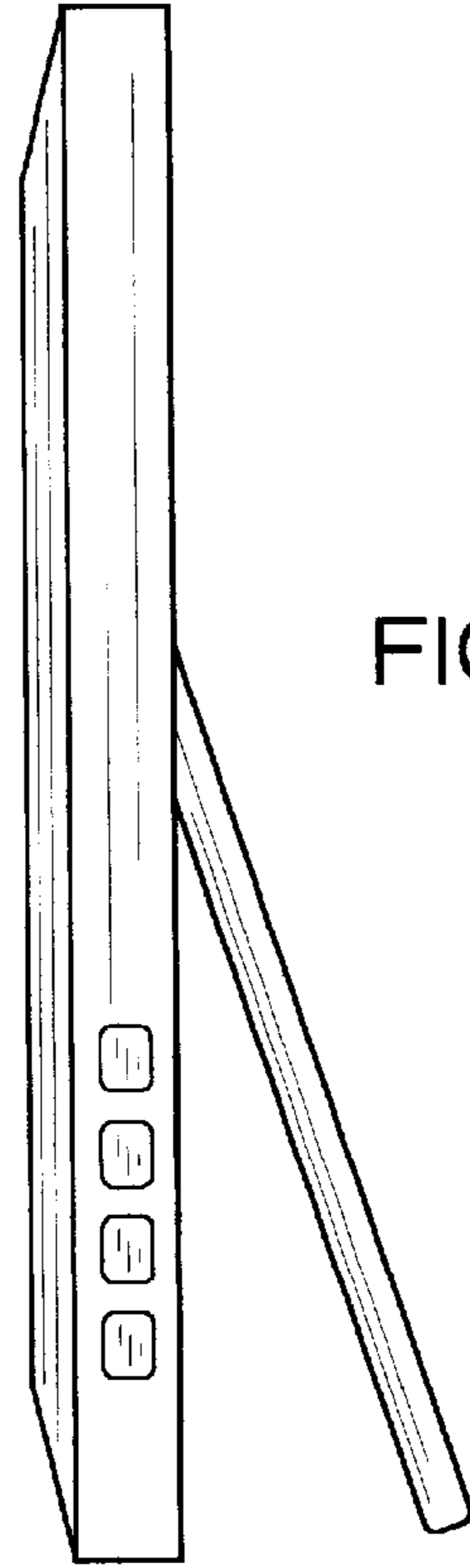


FIG. 5

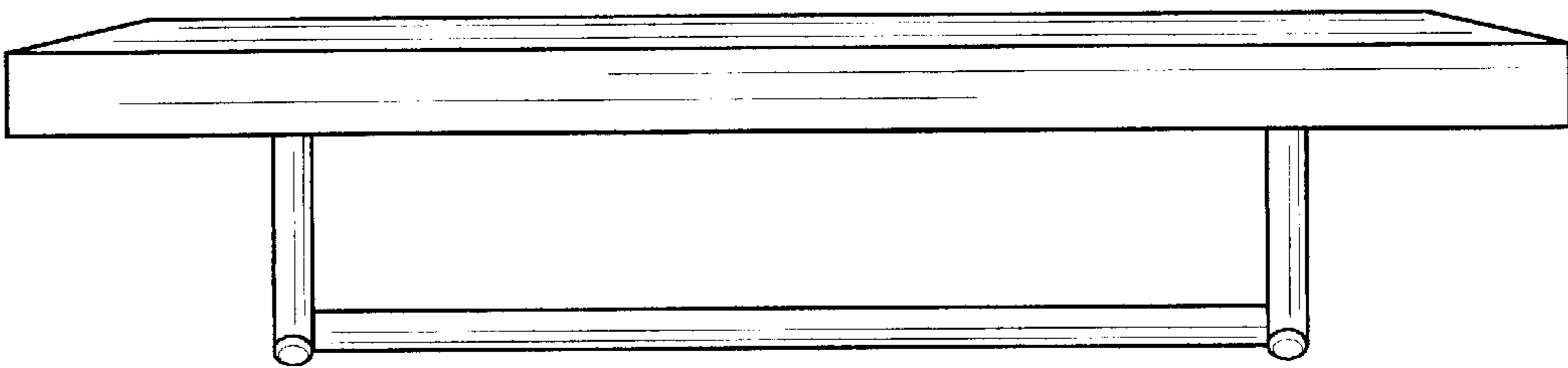


FIG. 6