



US00D483746S

(12) **United States Design Patent**
Hyogo

(10) **Patent No.:** **US D483,746 S**

(45) **Date of Patent:** **** Dec. 16, 2003**

(54) **RELAY MACHINE FOR WIRELESS DATA COMMUNICATION**

(75) **Inventor:** **Kuninori Hyogo**, Tokyo (JP)

(73) **Assignee:** **Sony Corporation**, Tokyo (JP)

(**) **Term:** **14 Years**

(21) **Appl. No.:** **29/164,050**

(22) **Filed:** **Jul. 18, 2002**

(51) **LOC (7) Cl.** **14-03**

(52) **U.S. Cl.** **D14/240; D14/230**

(58) **Field of Search** D14/240-245,
D14/230, 236, 237; 379/348, 344, 345;
455/106, 105; 343/795, 700 R, 727, 780

(56) **References Cited**

U.S. PATENT DOCUMENTS

D332,262 S	*	1/1993	Borchardt	D14/230
D345,564 S	*	3/1994	Kadono et al.	D14/230
D345,982 S	*	4/1994	Lucey	D14/230
D354,060 S	*	1/1995	Witzky	D14/230
D356,572 S	*	3/1995	Prince	D14/230

D398,611 S * 9/1998 Read D14/230

D405,090 S * 2/1999 Guttadauro D14/230

6,369,771 B1 * 4/2002 Chiang et al. 343/795

6,424,311 B1 * 7/2002 Tsai et al. 343/795

6,480,167 B2 * 11/2002 Matthews 343/795

* cited by examiner

Primary Examiner—Charles A. Rademaker

(74) *Attorney, Agent, or Firm*—Rader, Fishman & Grauer PLLC

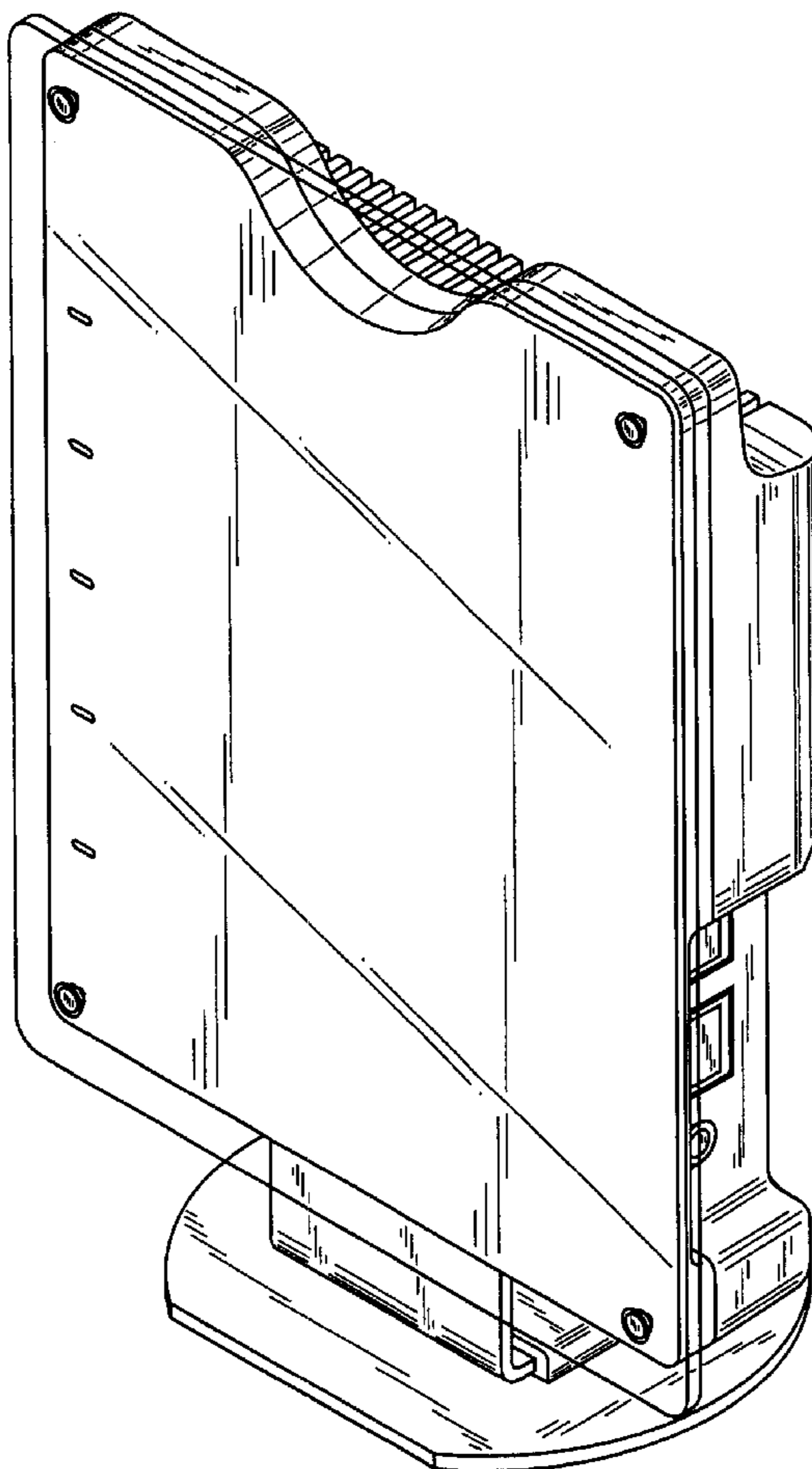
(57) **CLAIM**

The ornamental design for a relay machine for wireless data communication, as shown.

DESCRIPTION

FIG. 1 is a perspective view of a relay machine for wireless data communication showing my new design; FIG. 2 is a front elevational view thereof; FIG. 3 is a rear elevational view thereof; FIG. 4 is a left side elevational view thereof; FIG. 5 is a right side elevational view thereof; FIG. 6 is a top plan view thereof; and, FIG. 7 is a bottom plan view thereof.

1 Claim, 6 Drawing Sheets



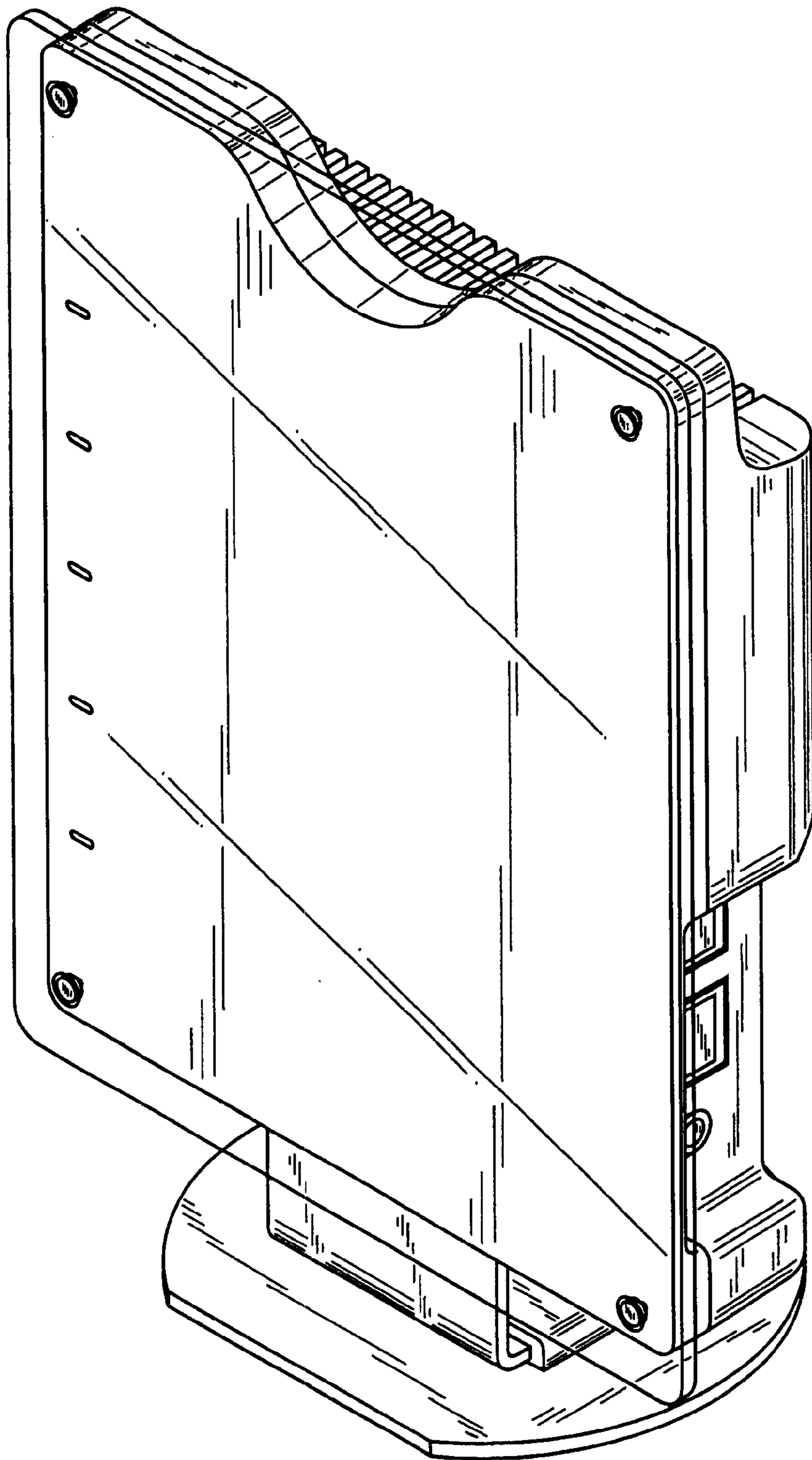


Fig. 1

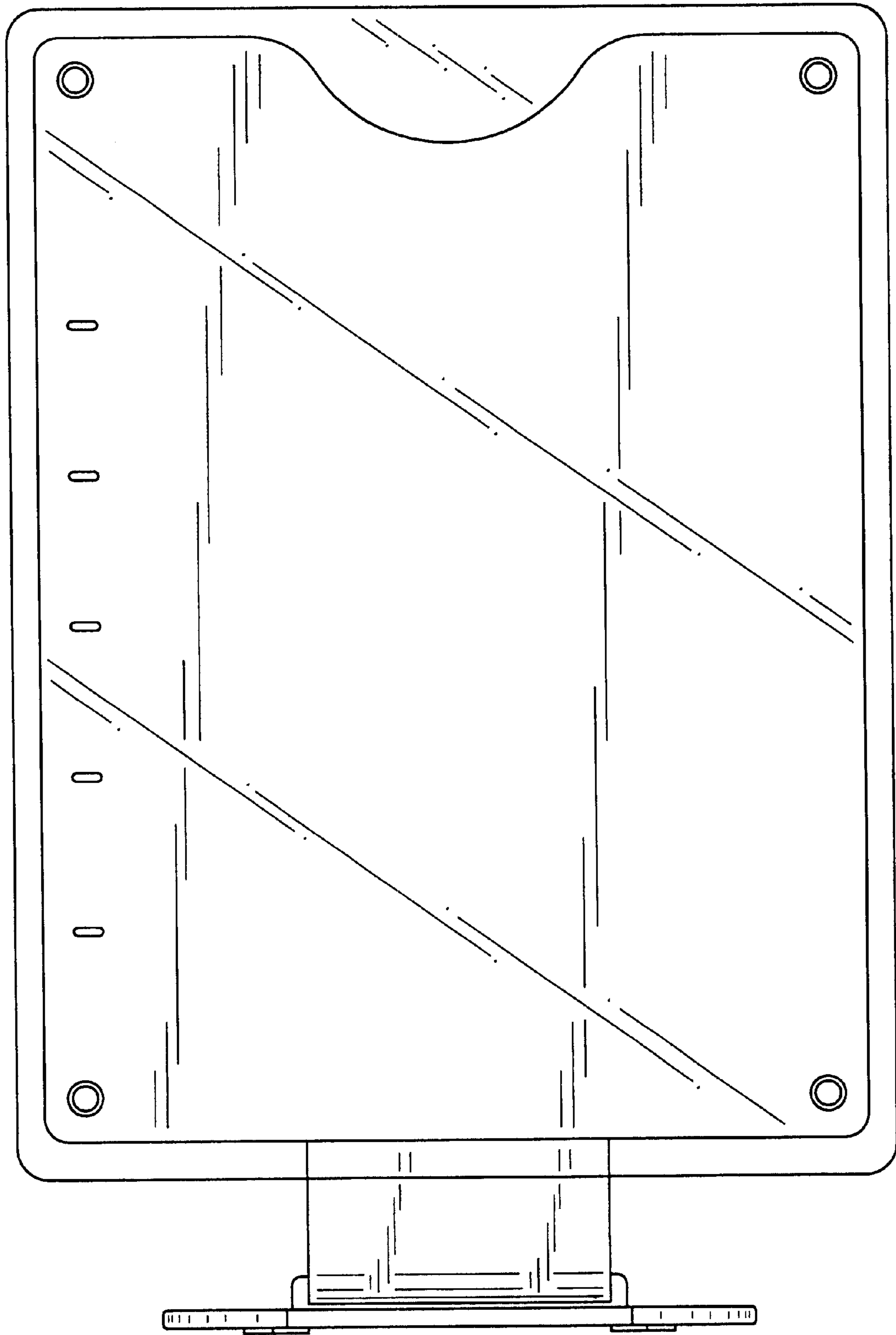


Fig. 2

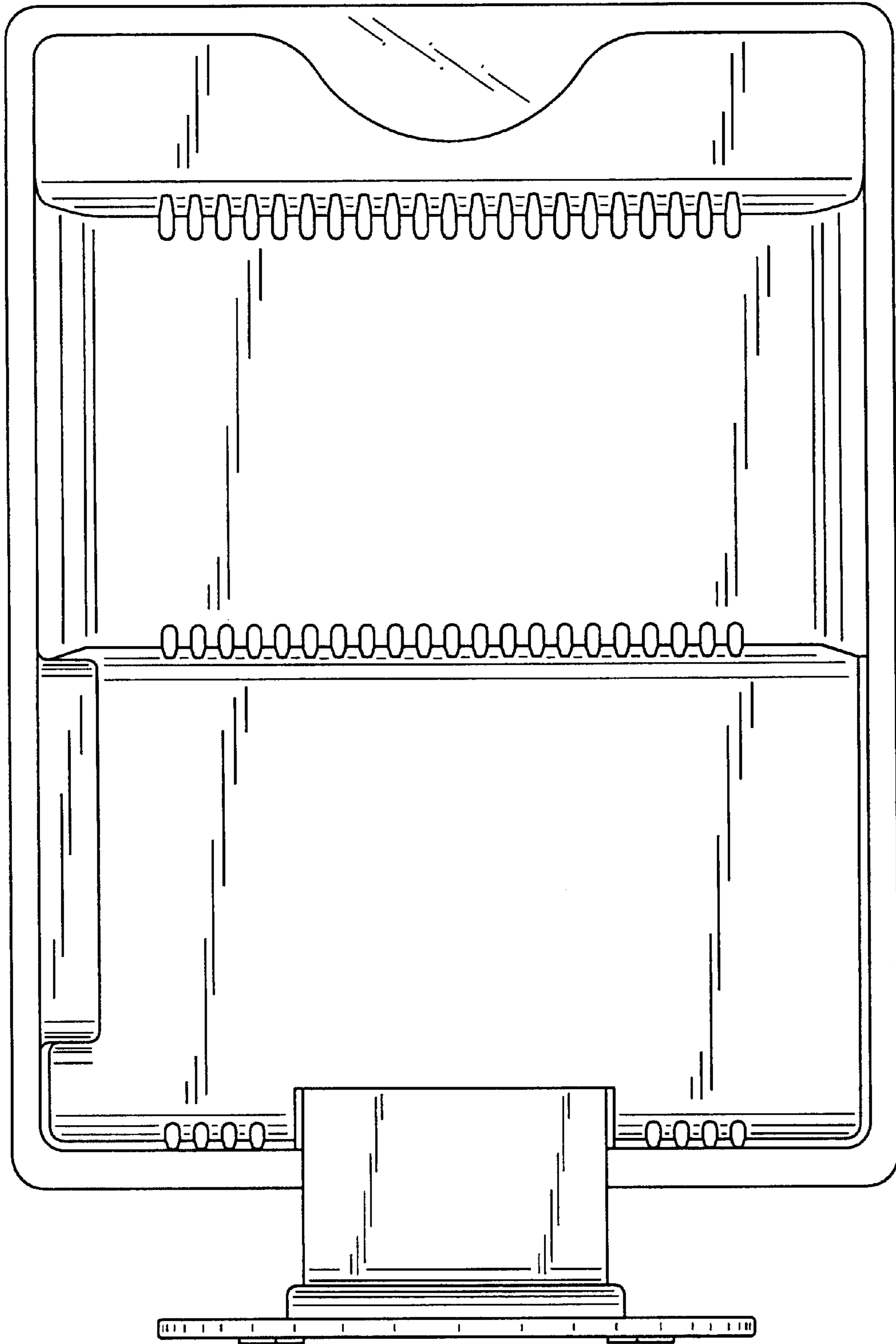


Fig. 3

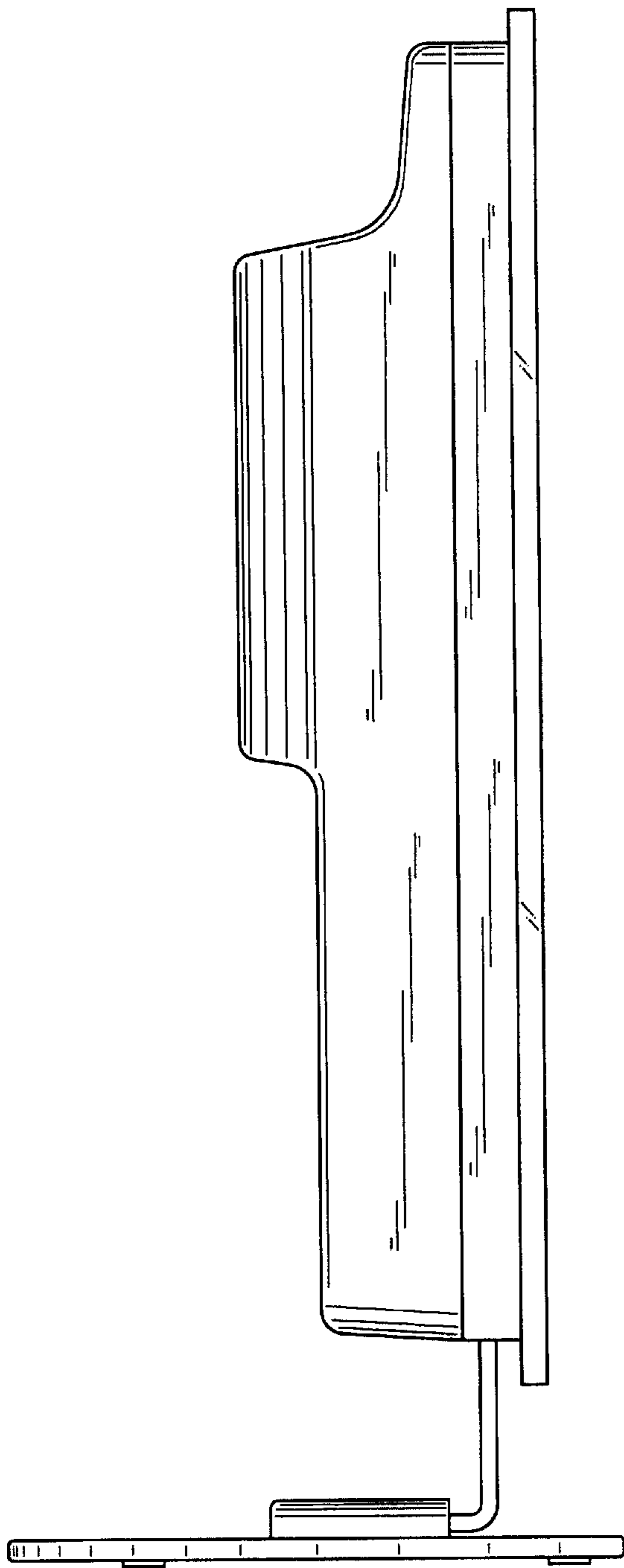


Fig. 4

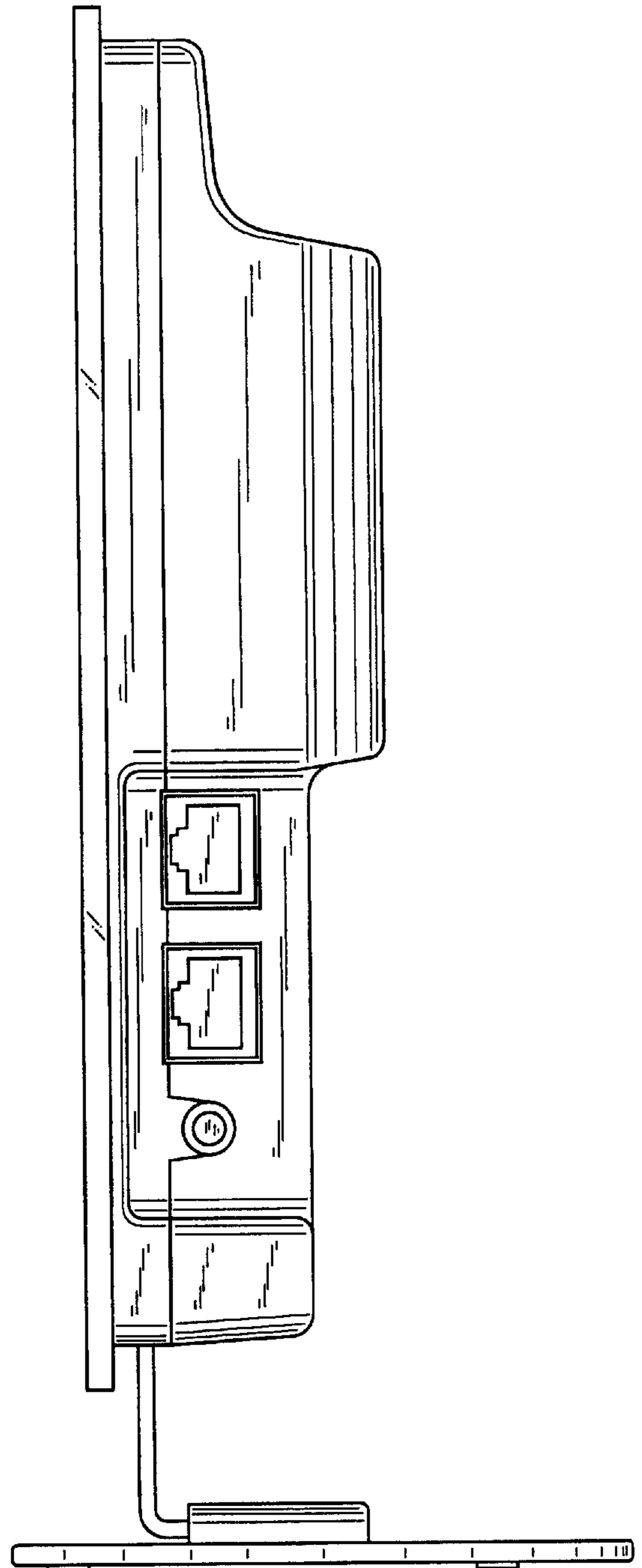


Fig. 5

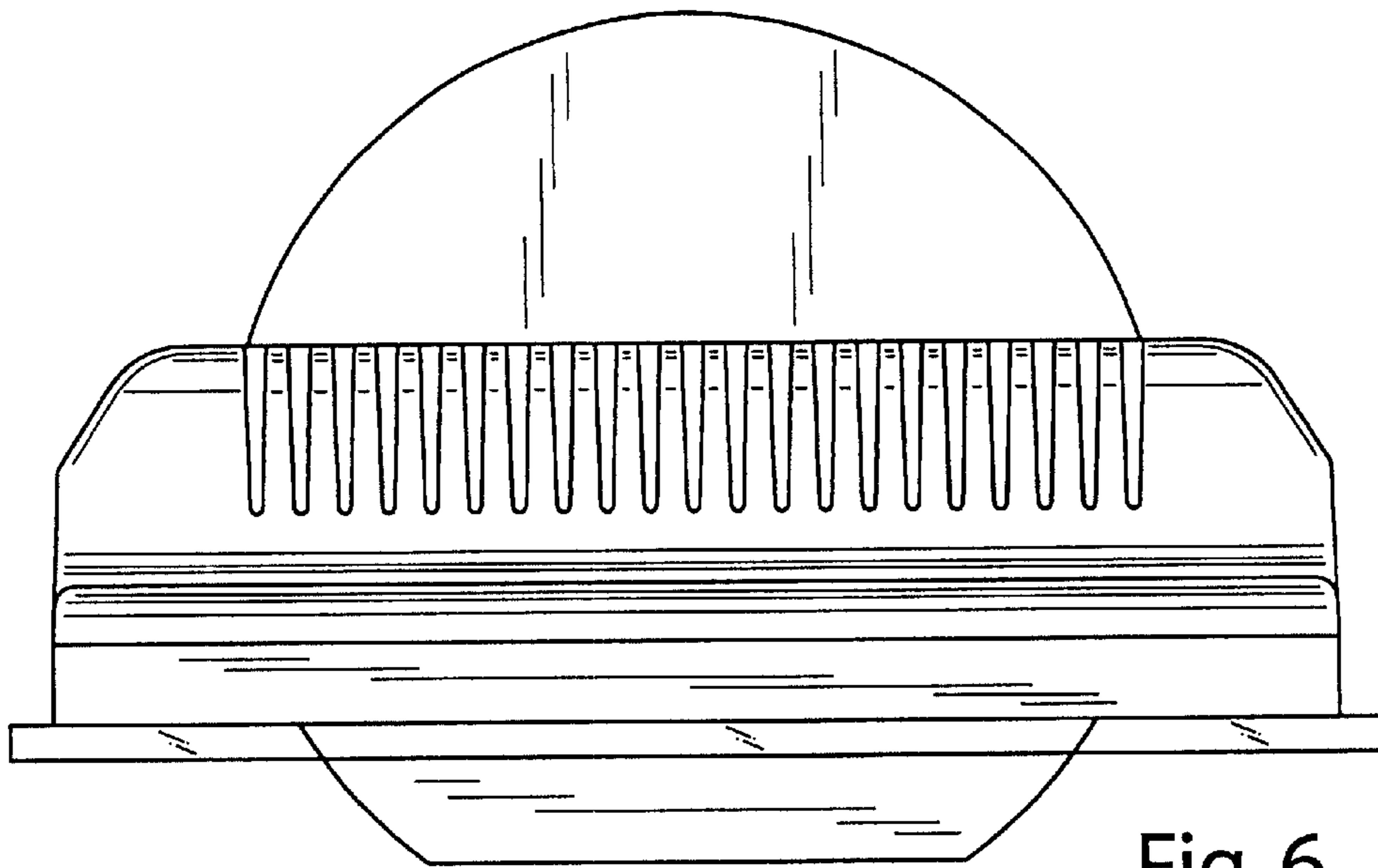


Fig. 6

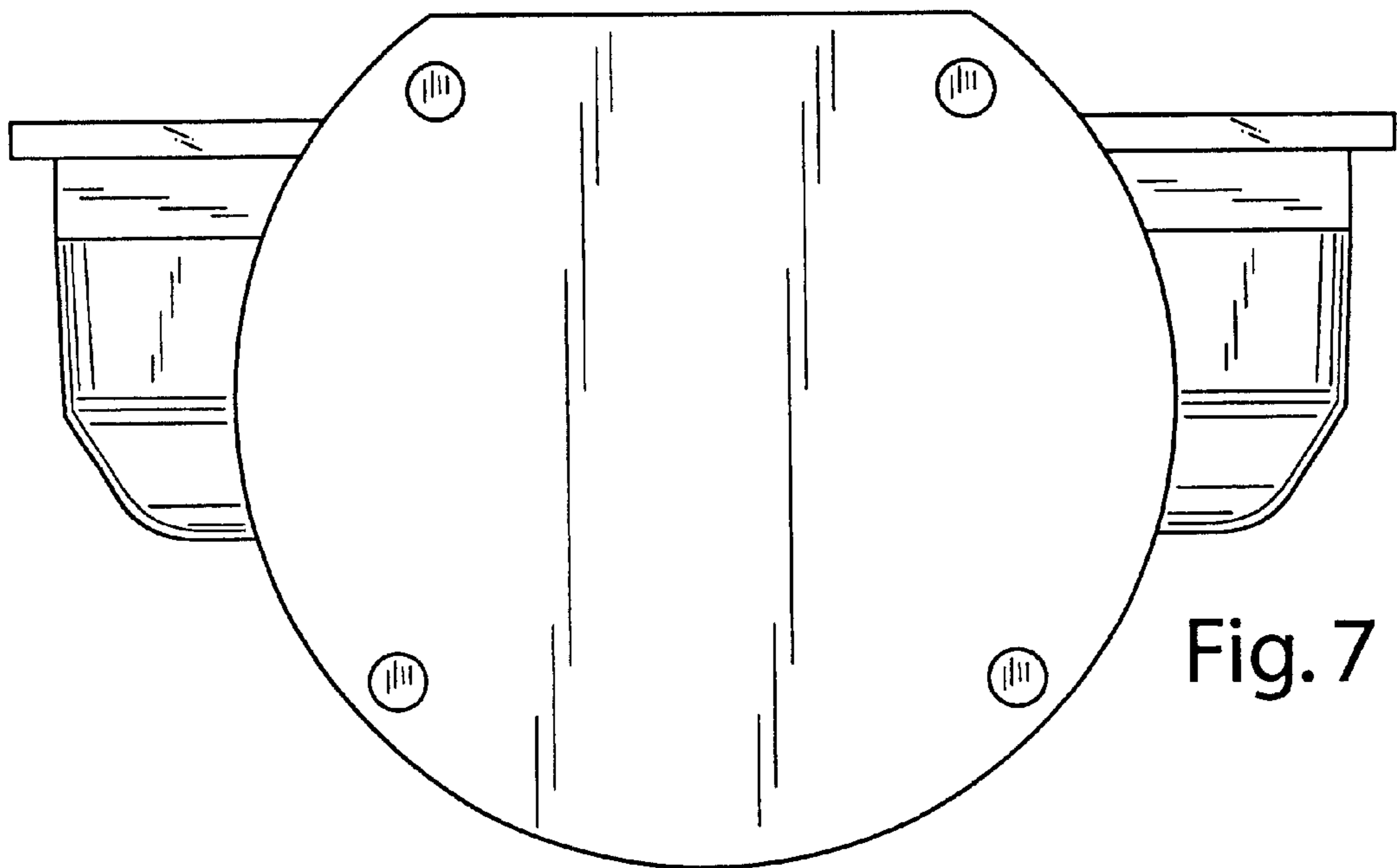


Fig. 7