



US00D483745S

(12) **United States Design Patent**
Sergi

(10) **Patent No.:** **US D483,745 S**

(45) **Date of Patent:** **** Dec. 16, 2003**

(54) **ANTENNA INSULATOR**

(76) **Inventor:** **Paul D. Sergi**, 2570 Major Rd.,
Peninsula, OH (US) 44264

(**) **Term:** **14 Years**

(21) **Appl. No.:** **29/155,544**

(22) **Filed:** **Feb. 13, 2002**

(51) **LOC (7) Cl.** **14-03**

(52) **U.S. Cl.** **D14/238**

(58) **Field of Search** D14/230-238;
343/763, 847, 907, 878, 888, 890-892;
248/309.1, 560, 65, 49, 74.4, 637, 638,
671; 174/137 R, 138 R, 138 A, 138 G,
153 A, 152 A; D8/394-396, 349, 354; D13/129,
131, 132

(56) **References Cited**

U.S. PATENT DOCUMENTS

D259,115 S * 5/1981 Steinhof et al. D14/234
5,732,744 A * 3/1998 Barr et al. 248/74.4

D399,414 S * 10/1998 Viklund D8/356
D402,184 S * 12/1998 Smith D8/349

* cited by examiner

Primary Examiner—Louis S. Zarfes

Assistant Examiner—Deanne Levy

(74) *Attorney, Agent, or Firm*—Renner, Kenner, Greive,
Bobak, Taylor & Weber

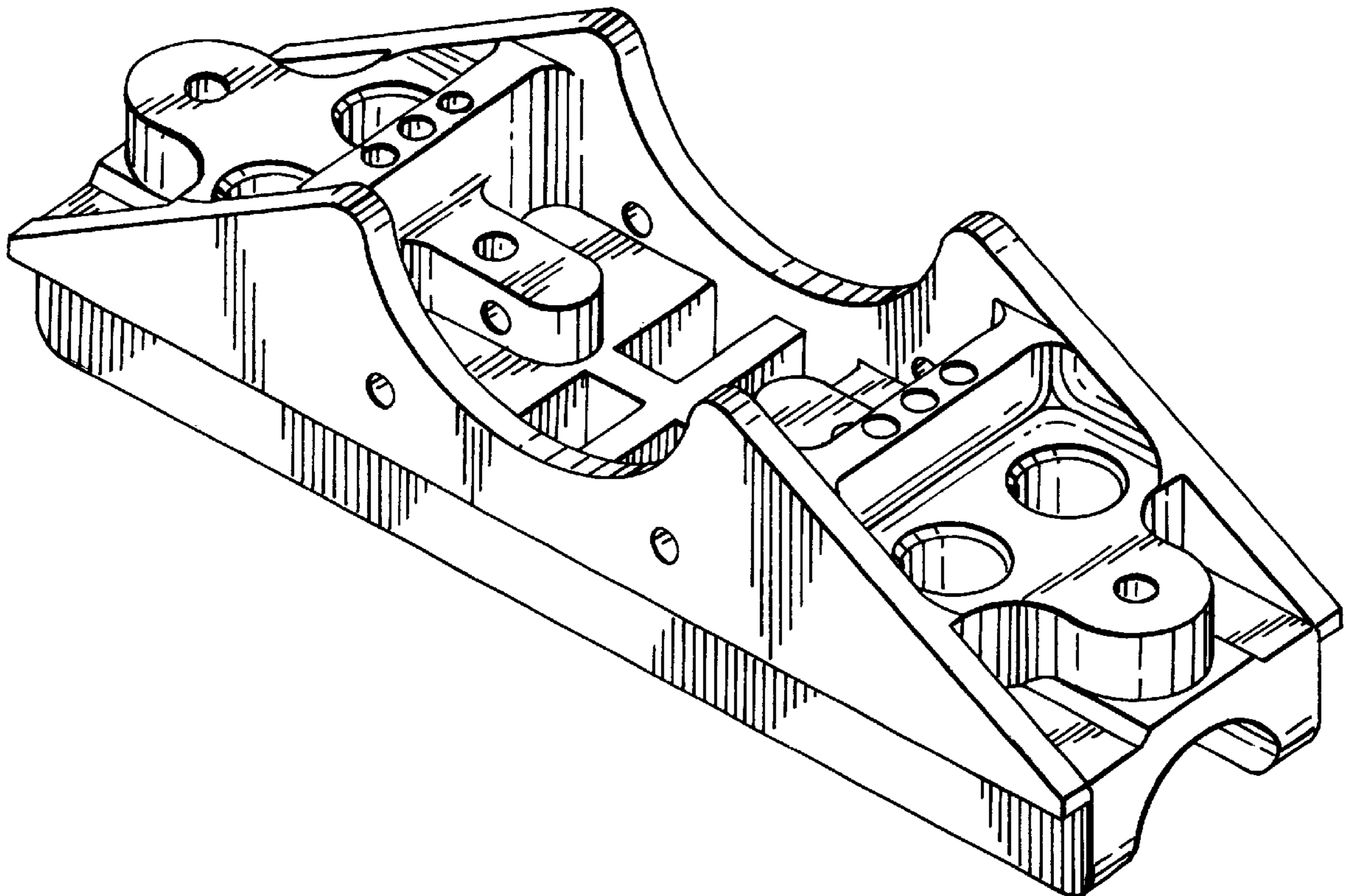
(57) **CLAIM**

The ornamental design for an antenna insulator, as shown
and described.

DESCRIPTION

FIG. 1 is a front, bottom, right side perspective view of an
antenna insulator showing my new design;
FIG. 2 is a bottom plan view thereof;
FIG. 3 is a top plan view thereof;
FIG. 4 is a rear elevational view thereof; the front eleva-
tional view being identical to FIG. 4; and,
FIG. 5 is a left side elevational view thereof, the right side
elevational view being identical to FIG. 5.

1 Claim, 2 Drawing Sheets



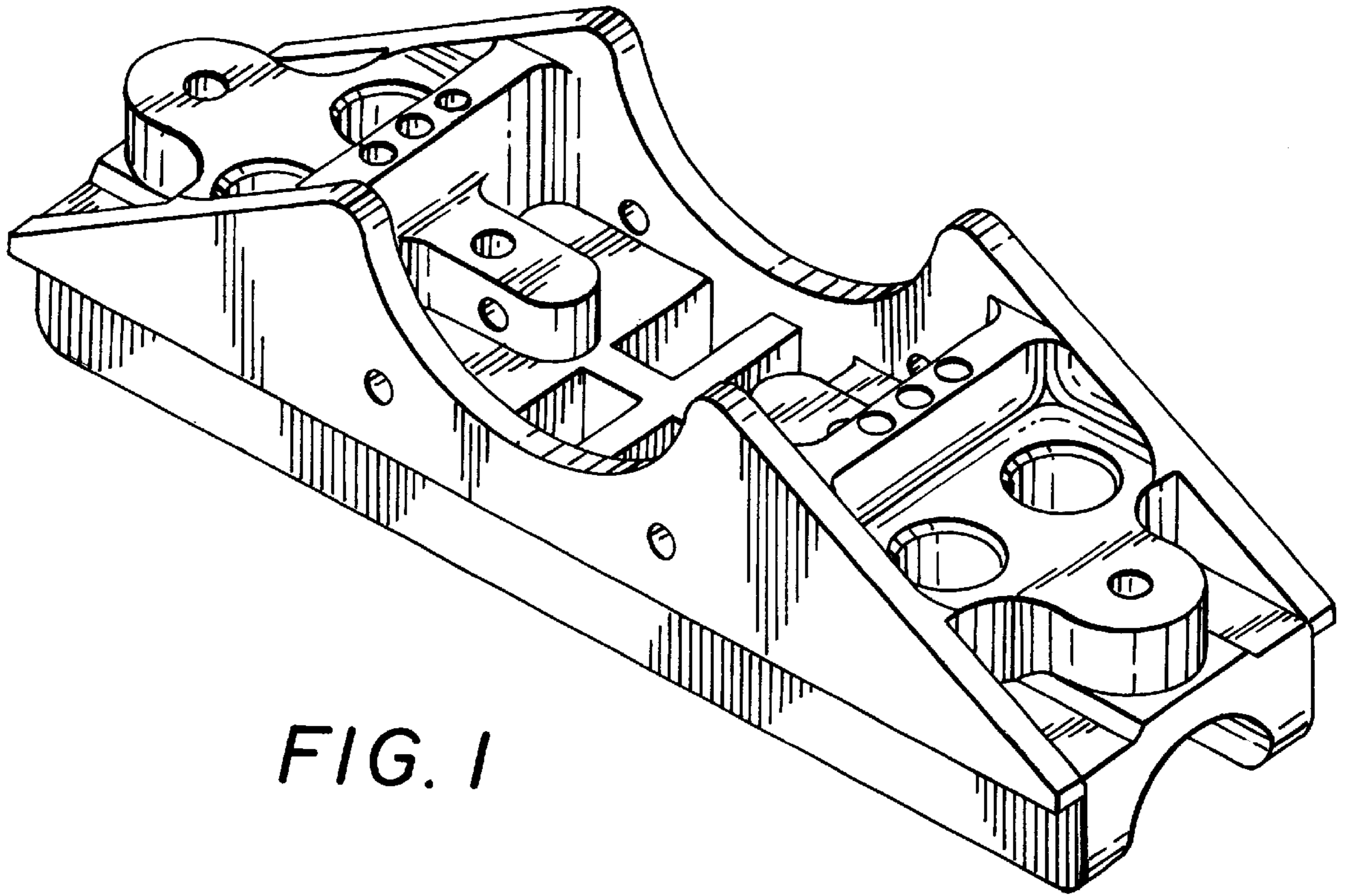


FIG. 1

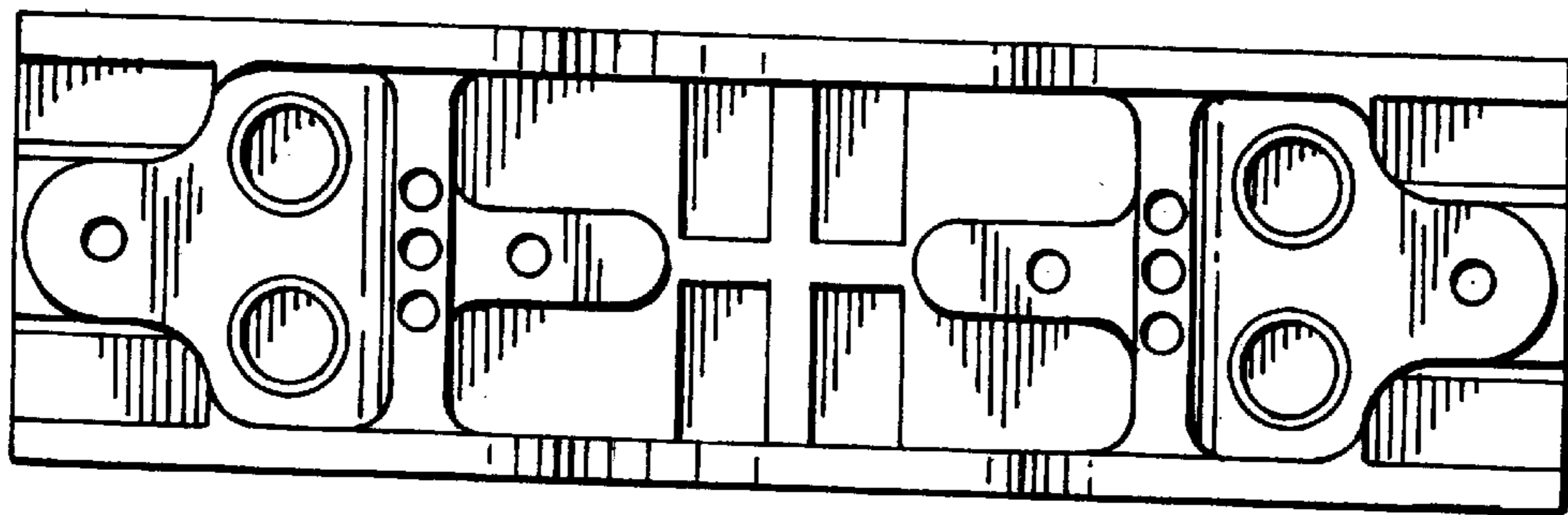


FIG. 2

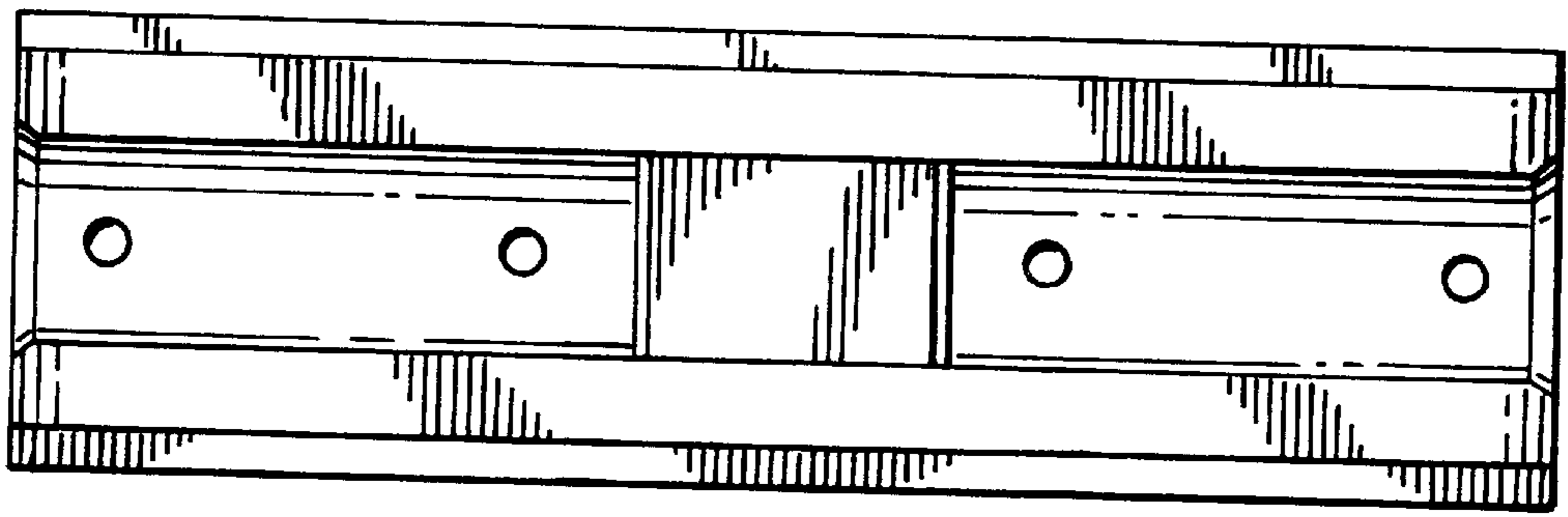


FIG. 3

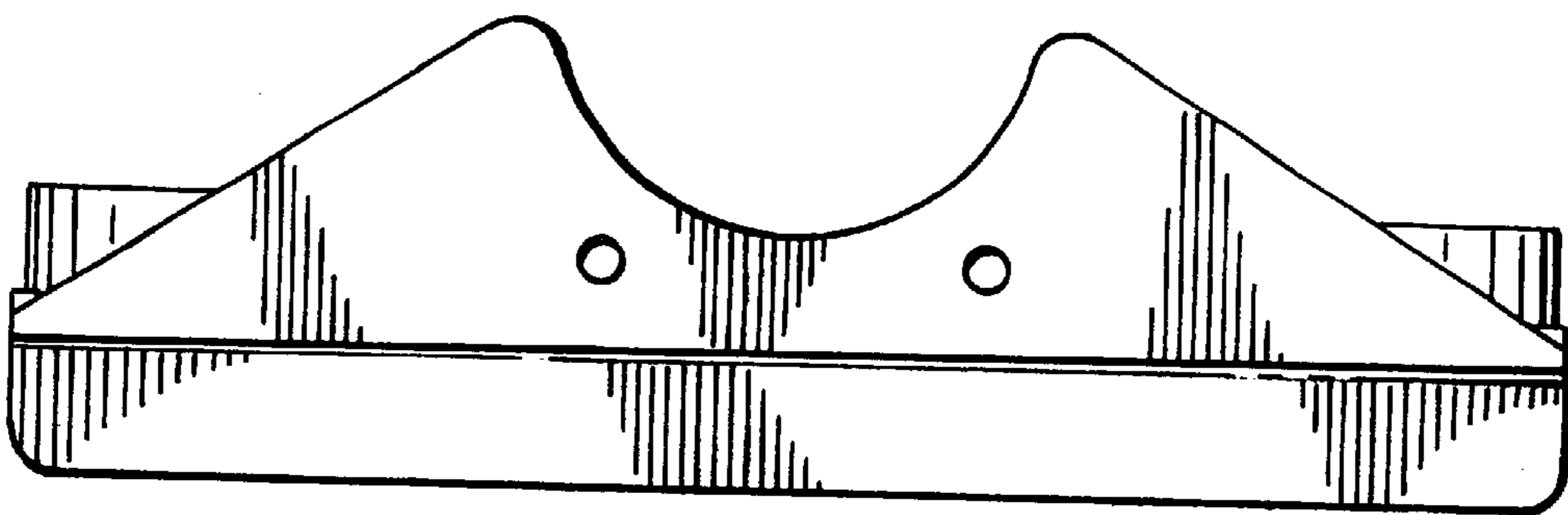


FIG. 4

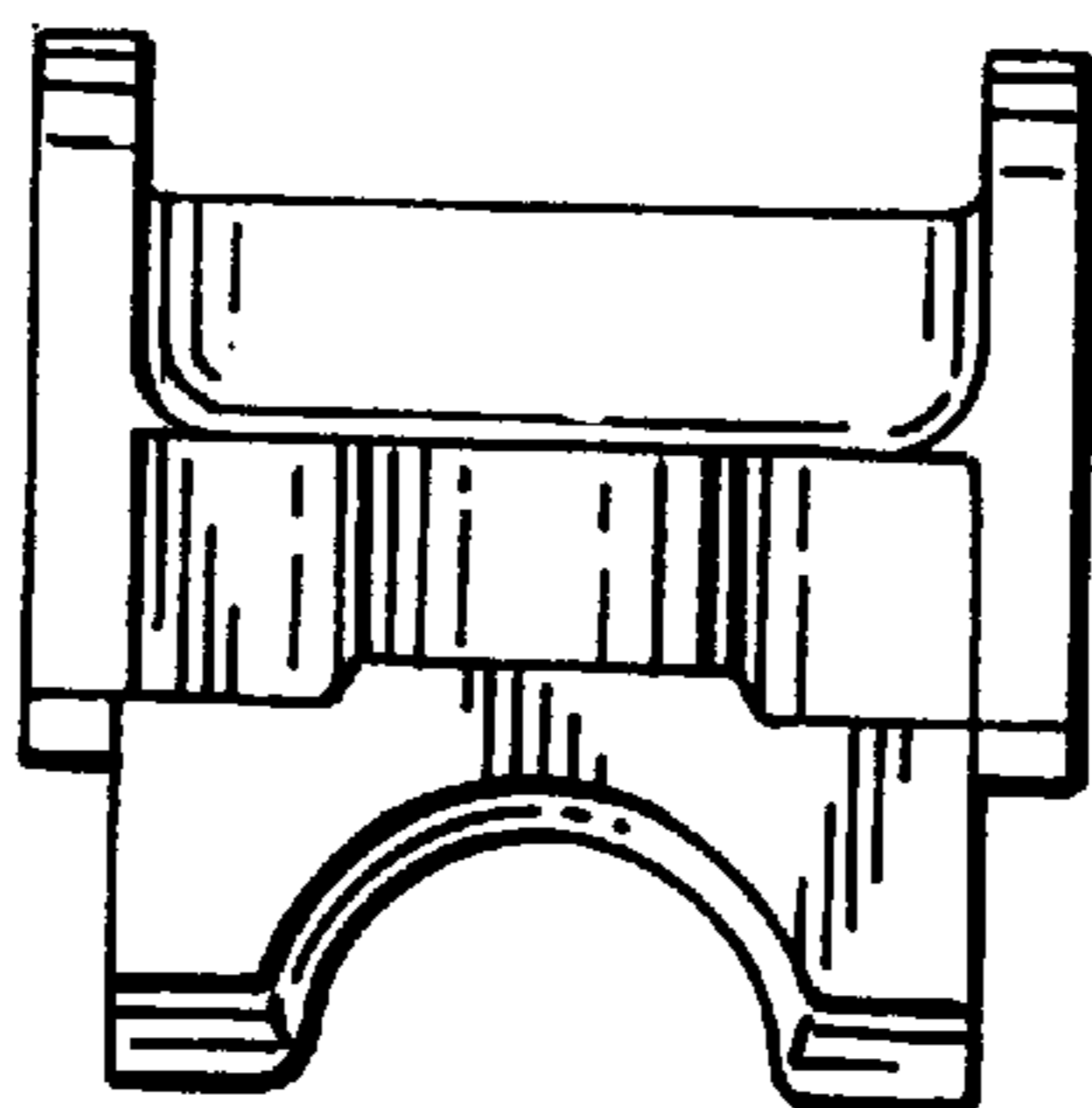


FIG. 5