



US00D483744S

(12) **United States Design Patent**
Vosse

(10) **Patent No.:** **US D483,744 S**

(45) **Date of Patent:** **** Dec. 16, 2003**

(54) **PORTION OF A SPEAKER TRANSDUCER HOUSING**

D400,884 S 11/1998 Christie, II
D419,561 S 1/2000 Haase et al.
D432,118 S * 10/2000 Honnert D14/216
D451,087 S 11/2001 Moro et al.

(75) Inventor: **Mary C. Vosse**, Culver City, CA (US)

(73) Assignee: **Harman International Industries, Incorporated**, Northridge, CA (US)

(**) Term: **14 Years**

* cited by examiner

Primary Examiner—Nanda Bondade

(74) *Attorney, Agent, or Firm*—Plumsea Law Group, LLC

(21) Appl. No.: **29/168,819**

(22) Filed: **Oct. 10, 2002**

(57) **CLAIM**

The ornamental design for a portion of a speaker transducer housing, as shown and described.

(51) **LOC (7) Cl.** **14-01**

(52) **U.S. Cl.** **D14/224**

(58) **Field of Search** D14/204, 207–216,
D14/221–222, 224; 181/144–145, 147–148,
150, 157, 168, 171–174, 198–199; 381/300–302,
386, 396, 398, 423, 426, 87, 182, 186

DESCRIPTION

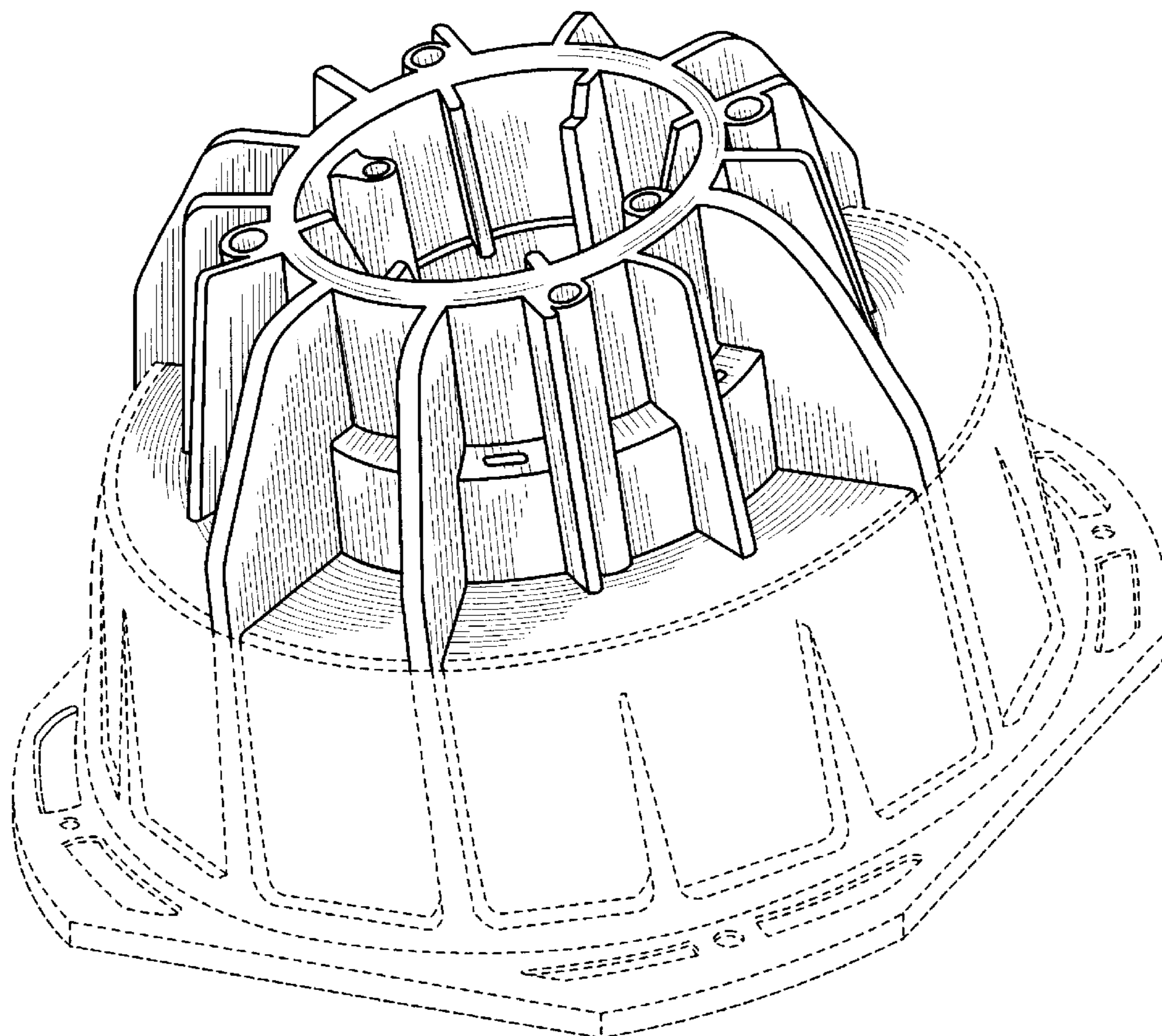
FIG. 1 is a perspective view of a portion of a speaker transducer housing showing my new design; FIG. 2 is a top plan view thereof; FIG. 3 is a bottom plan view thereof; FIG. 4 is a front elevational view, the rear elevational view being a mirror image thereof; and, FIG. 5 is a side elevational view, the opposite side elevational view being a mirror image thereof. The broken line showing of the remainder of the transducer housing is for illustrative purposes only and forms no part of the claimed design.

(56) **References Cited**

U.S. PATENT DOCUMENTS

D188,542 S * 8/1960 Levy et al. D14/216
D225,069 S * 11/1972 May D14/216
4,252,211 A 2/1981 Matsuda et al.
D282,163 S 1/1986 Seebinger

1 Claim, 4 Drawing Sheets



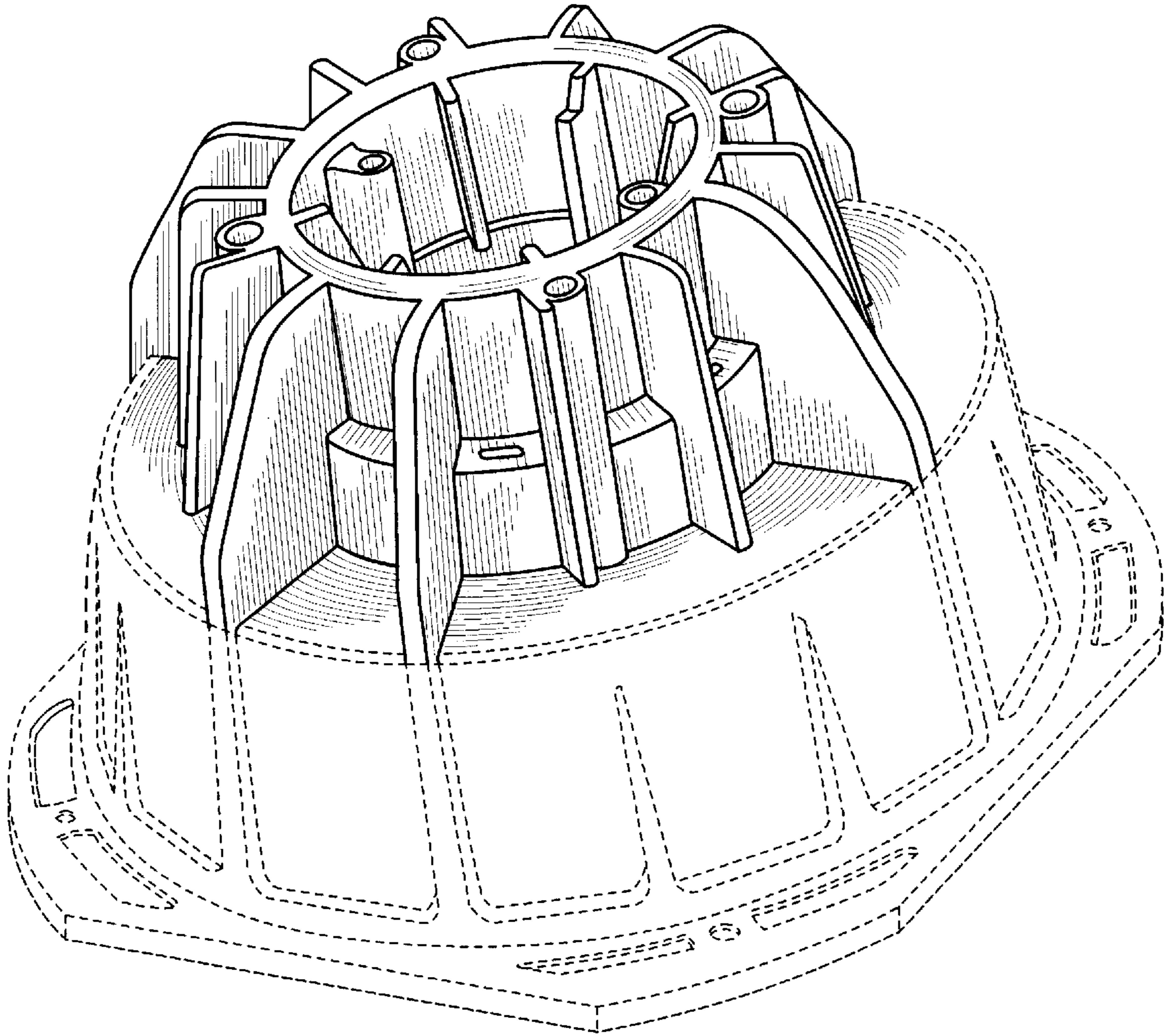


FIG. 1

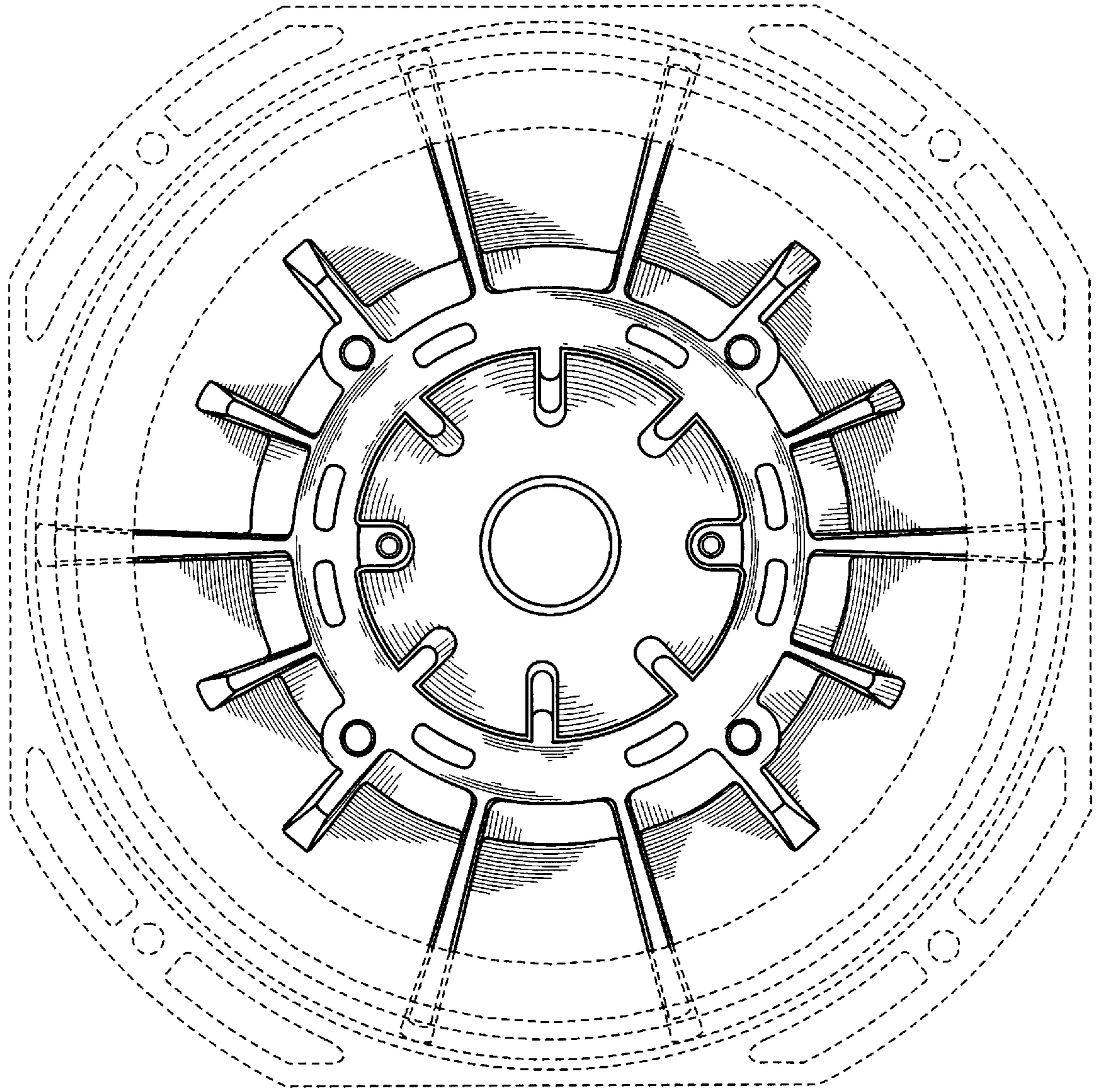


FIG. 2

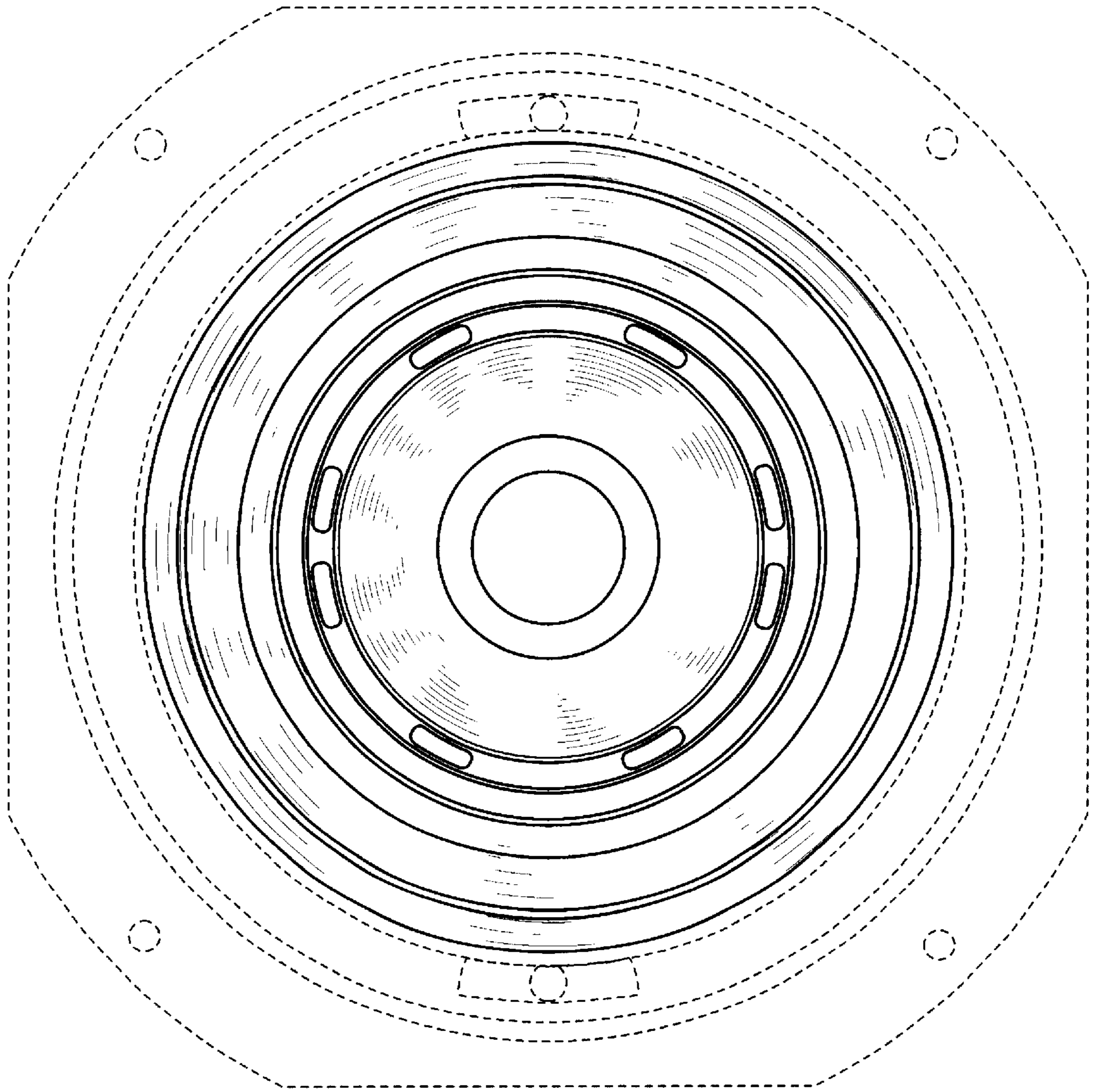


FIG. 3

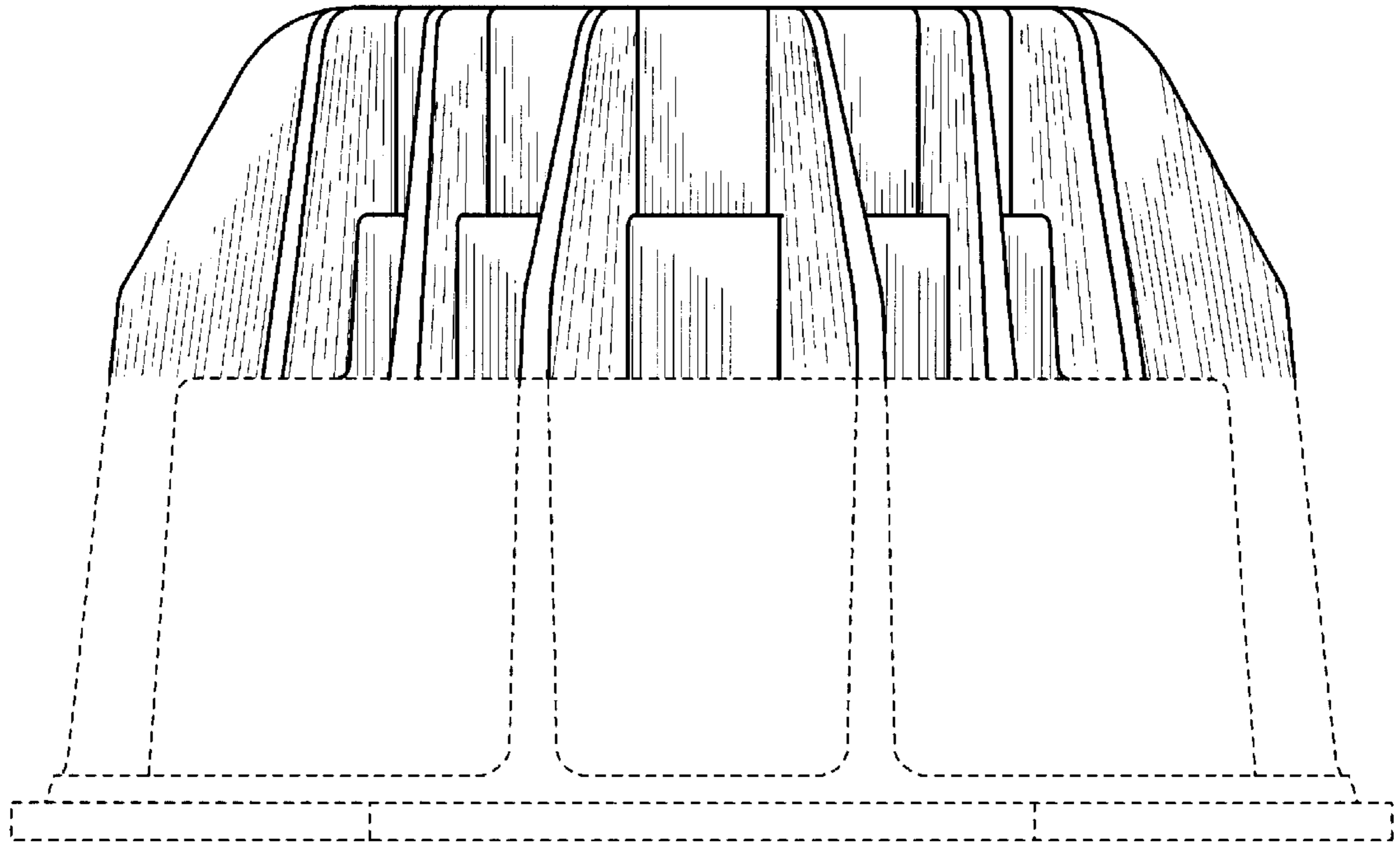


FIG. 4

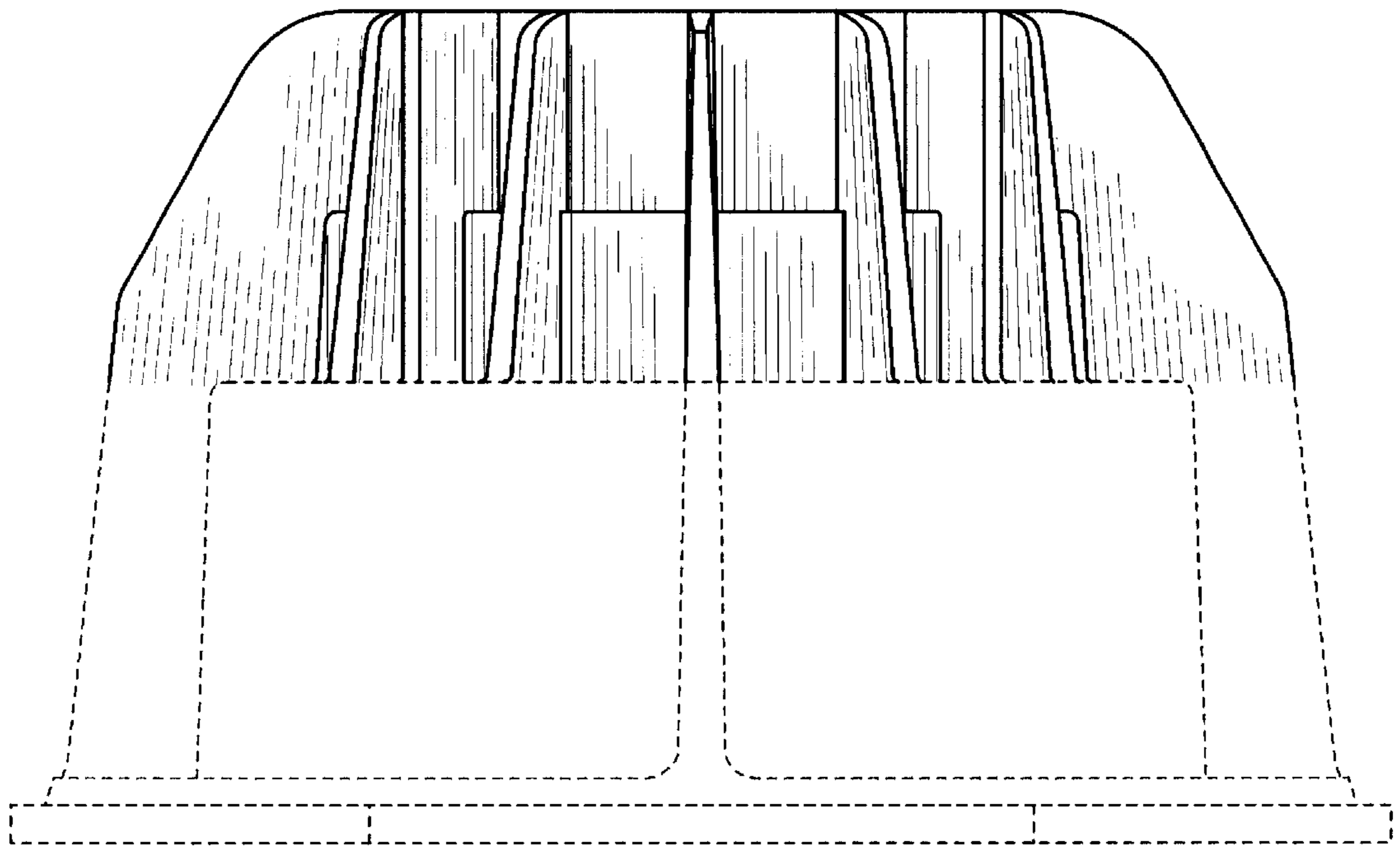


FIG. 5