



US00D483741S

(12) **United States Design Patent**
Olson et al.

(10) **Patent No.:** **US D483,741 S**

(45) **Date of Patent:** **** Dec. 16, 2003**

(54) **SPEAKER**

(75) Inventors: **Mark H. Olson**, Sunnyvale, CA (US);
Jeff Wyatt, Sunnyvale, CA (US);
Michael Voege, Sunnyvale, CA (US);
Luke Williams, Sunnyvale, CA (US);
Garth Gibby, Sunnyvale, CA (US);
Ethan Imbodem, Sunnyvale, CA (US);
Ana Reza, Sunnyvale, CA (US)

(73) Assignee: **Hannspree, Inc.** (TW)

(**) Term: **14 Years**

(21) Appl. No.: **29/173,616**

(22) Filed: **Jan. 2, 2003**

(51) **LOC (7) Cl.** **14-01**

(52) **U.S. Cl.** **D14/216; D14/211**

(58) **Field of Search** D14/204, 207,
D14/209-216, 356; 181/143-145, 147-148,
150, 153, 157, 198-199; 381/300-302,
306, 333, 345, 361-364, 386-388

(56) **References Cited**

U.S. PATENT DOCUMENTS

D74,114 S * 12/1927 Lum D14/211

D153,899 S * 5/1949 Poorman D14/215
D334,935 S * 4/1993 Goto D14/216
5,319,164 A * 6/1994 Shen 181/15
D362,442 S * 9/1995 Goldfarb D14/216
D446,785 S * 8/2001 Ohta D14/216

* cited by examiner

Primary Examiner—Nanda Bondade

(74) *Attorney, Agent, or Firm*—Merchant & Gould LLC

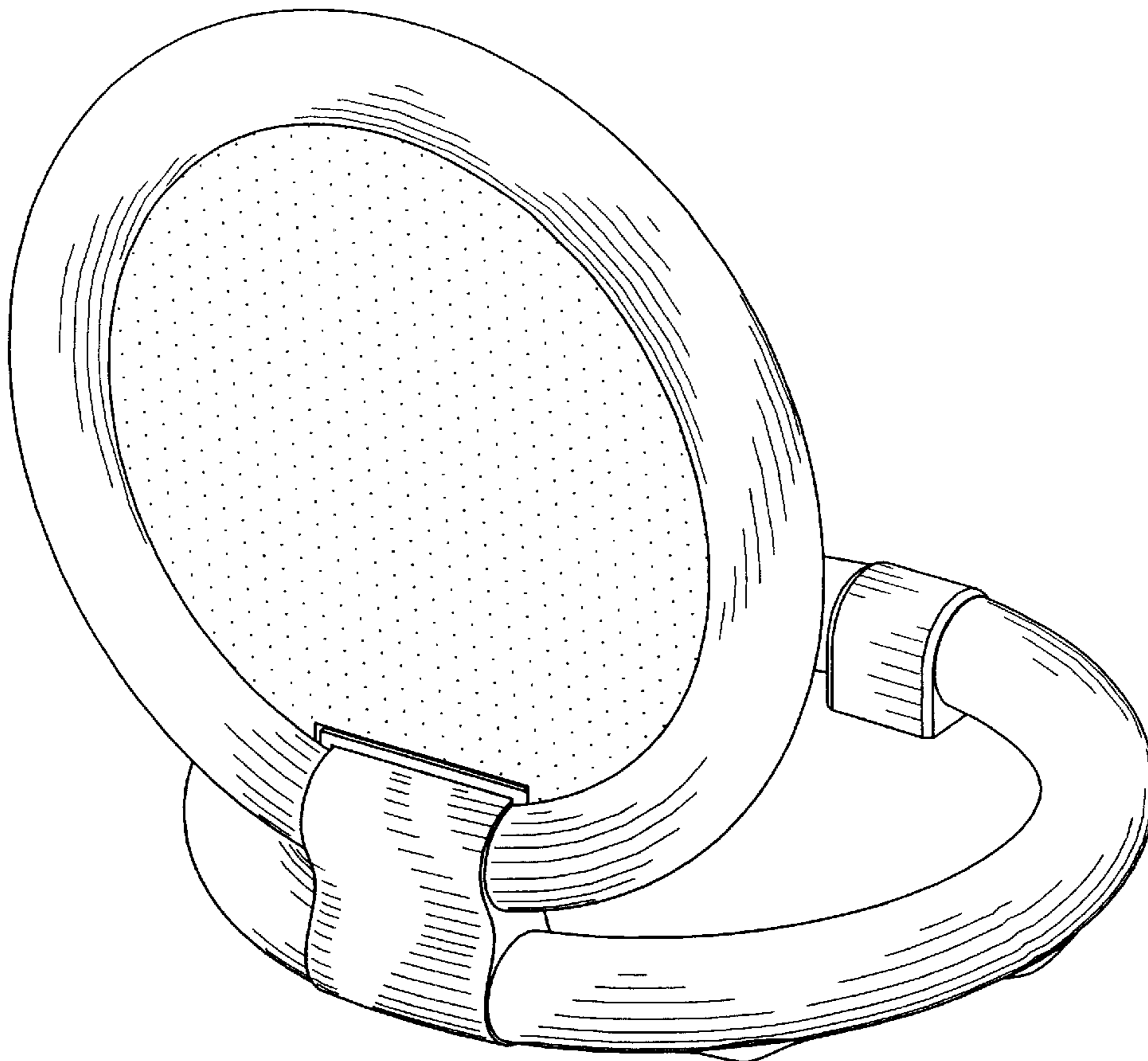
(57) **CLAIM**

The ornamental design for a speaker, as shown and described.

DESCRIPTION

FIG. 1 is a front perspective view of a speaker showing our new design;
FIG. 2 is a right side elevational view thereof;
FIG. 3 is a top plan view thereof;
FIG. 4 is a front elevational view thereof;
FIG. 5 is a bottom plan view thereof;
FIG. 6 is a left side elevational view thereof;
FIG. 7 is a rear elevational view thereof; and,
FIG. 8 is a front perspective view thereof shown in a folded position.

1 Claim, 8 Drawing Sheets



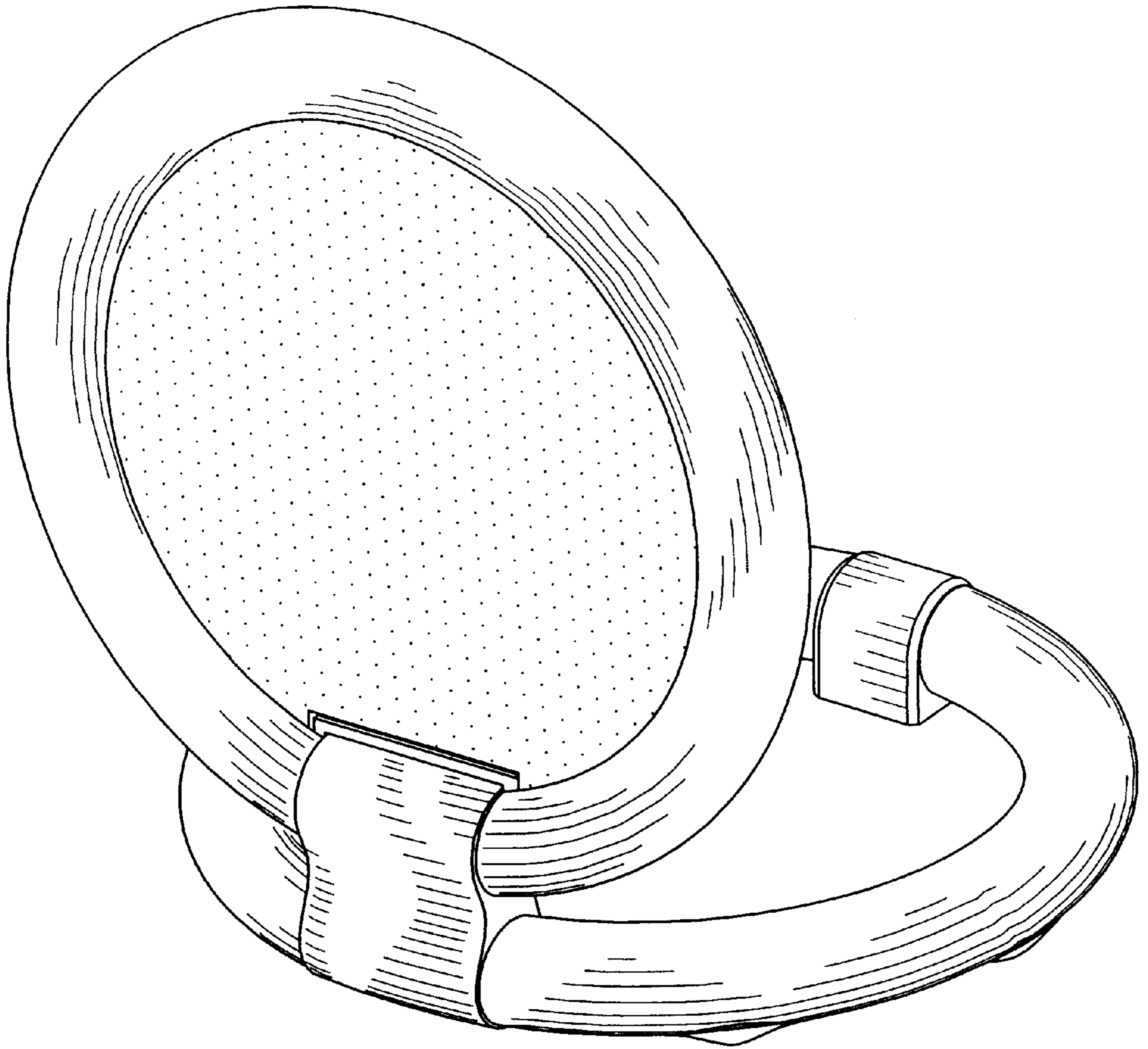


Fig. 1

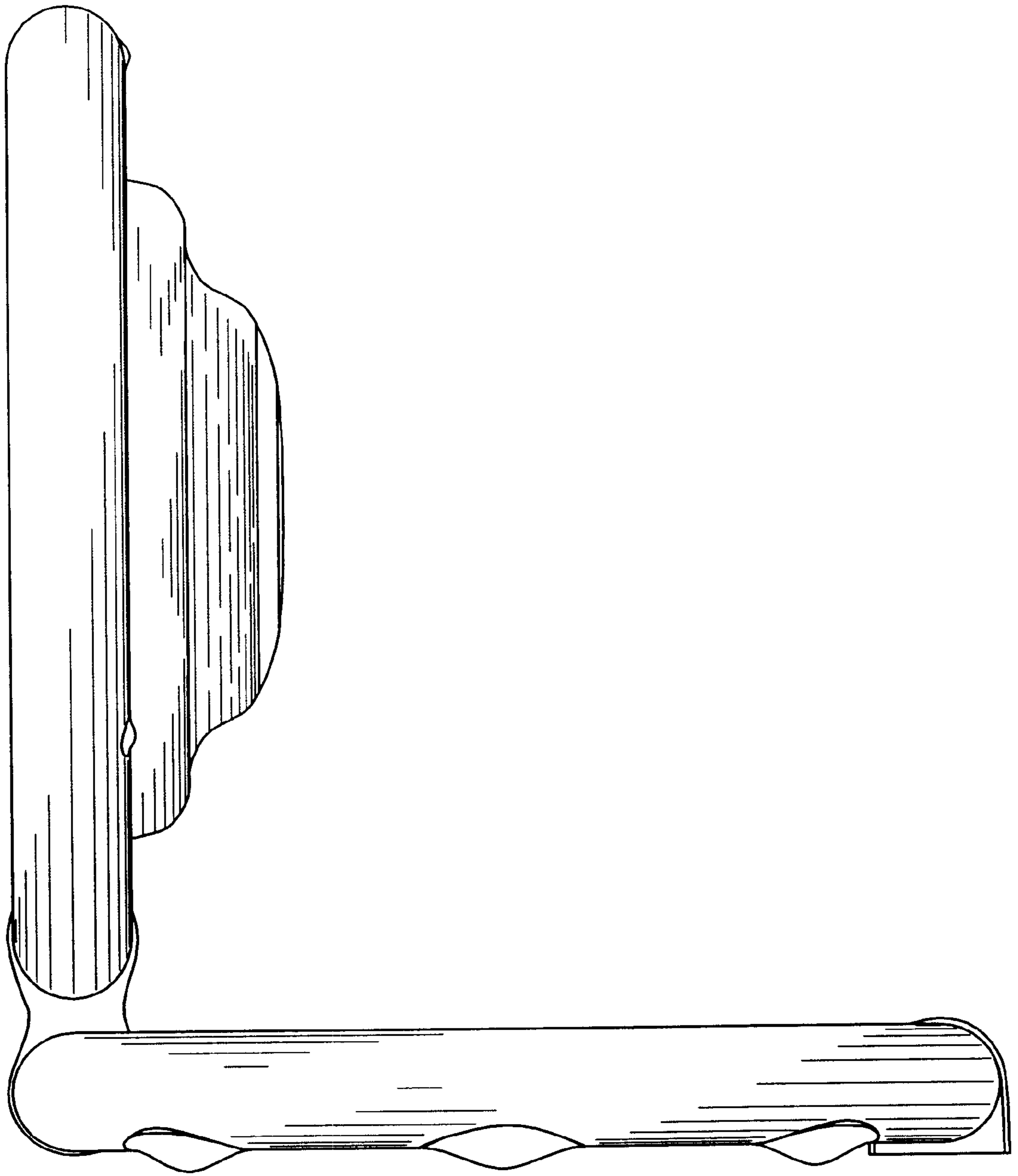


Fig. 2

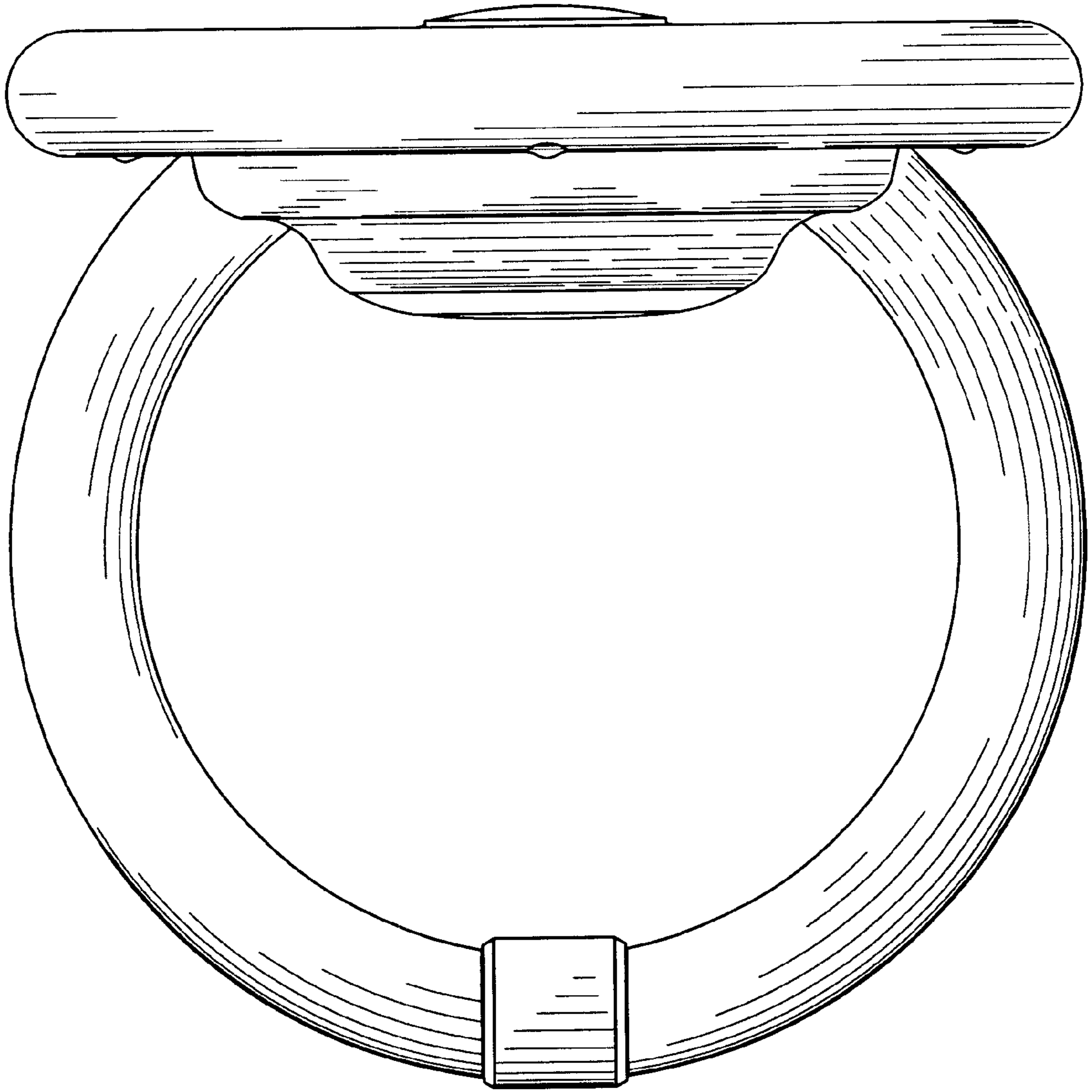


Fig. 3

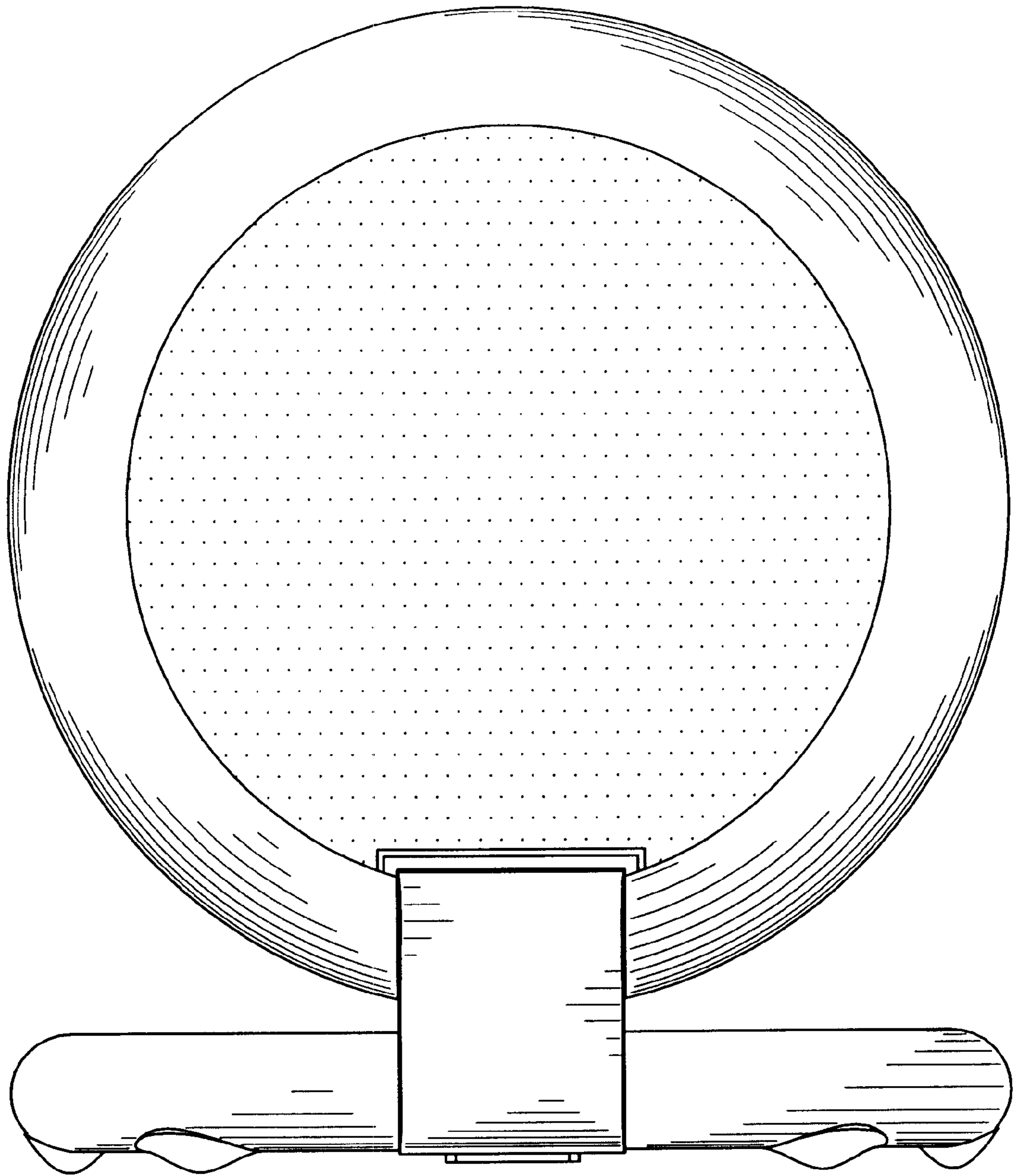


Fig. 4

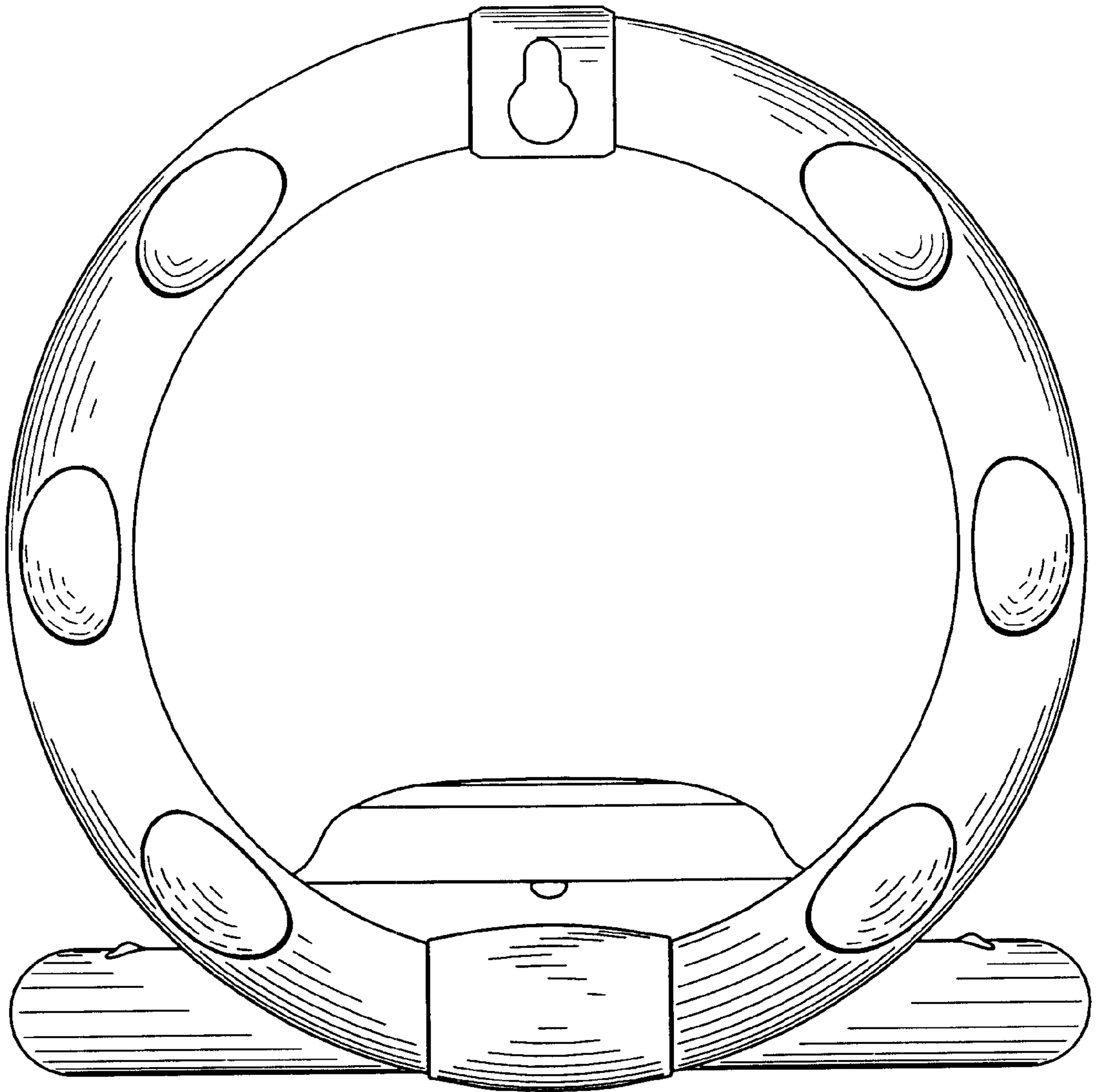


Fig. 5

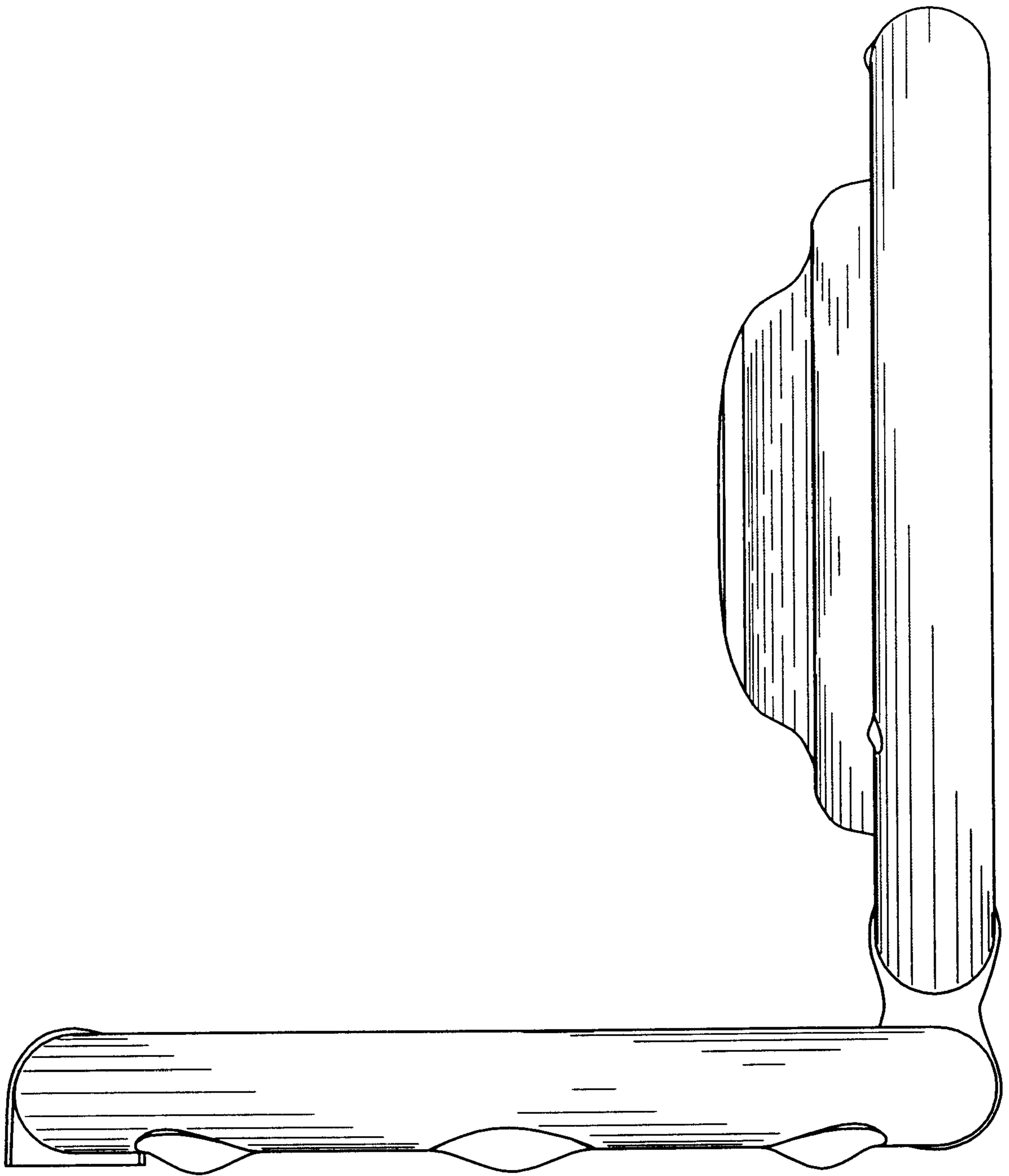


Fig. 6

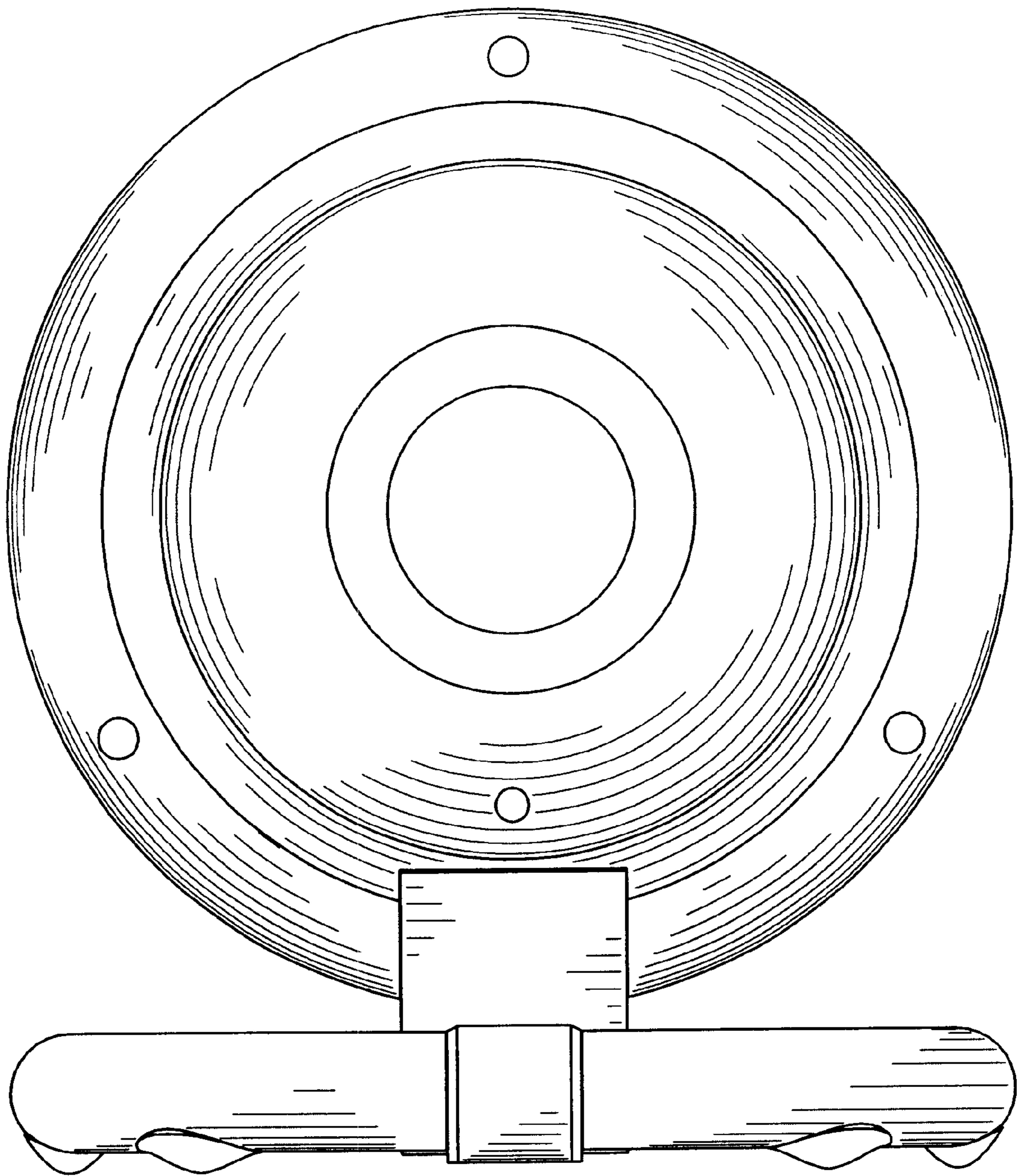


Fig. 7

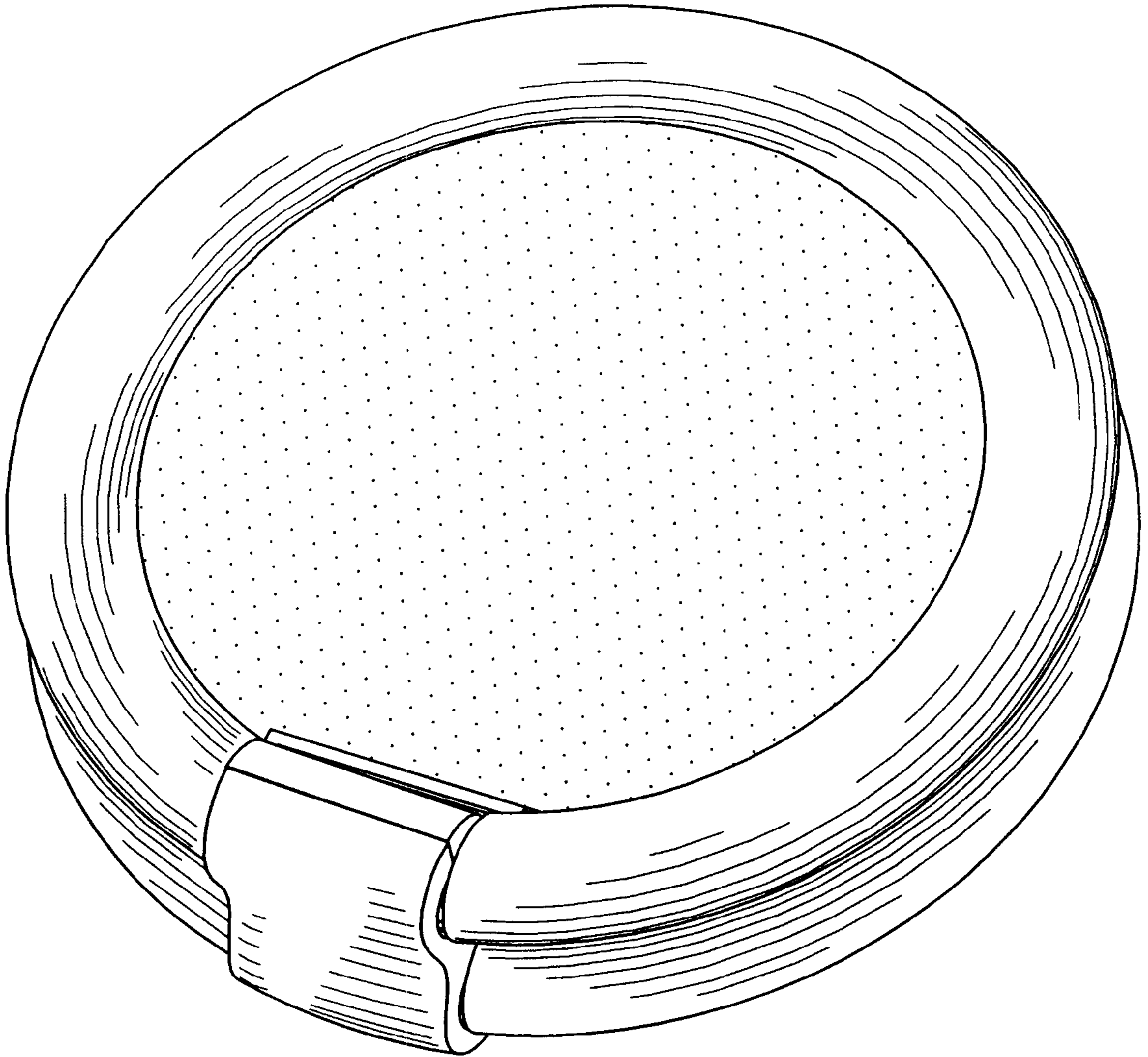


Fig. 8