



US00D483740S

(12) **United States Design Patent**
Yim et al.

(10) **Patent No.:** **US D483,740 S**

(45) **Date of Patent:** **** Dec. 16, 2003**

(54) **SPEAKER**

4,815,558 A * 3/1989 Krainhofer 181/141
D432,118 S * 10/2000 Honnert D14/216

(75) Inventors: **David Yim**, Los Angeles, CA (US);
Daniel Wayne Ashcraft, Torrance, CA
(US); **Helen Sun**, Los Angeles, CA
(US)

* cited by examiner

Primary Examiner—Nanda Bondade
(74) *Attorney, Agent, or Firm*—Blakely Sokoloff Taylor &
Zafman

(73) Assignee: **Algo Sound, Inc.**, Fremont, CA (US)

(**) Term: **14 Years**

(57) **CLAIM**

The ornamental design for a speaker, as shown and
described.

(21) Appl. No.: **29/135,130**

(22) Filed: **Jan. 5, 2001**

DESCRIPTION

(51) **LOC (7) Cl.** **14-01**

(52) **U.S. Cl.** **D14/216**

(58) **Field of Search** D14/204, 207–216,
D14/221–222; 181/144–145, 147–148,
150, 152–153, 157, 198–199; 381/300–302,
307, 359, 361–364, 386

FIG. 1 is a top plan view of an embodiment of the design.
FIG. 2 is a bottom plan view thereof.

FIG. 3 is a left side elevational view thereof, the right side
elevational view being a mirror image.

FIG. 4 is a bottom perspective view thereof; and,

FIG. 5 is a top perspective view thereof.

The broken lines shown on the top view on FIGS. 1 and 5
which define the bounds of the claimed design form no part
thereof. The remaining broken lines show those structures
what are not part of the claimed design but are necessary to
show the environment in which the design is associated.

(56) **References Cited**

U.S. PATENT DOCUMENTS

D239,538 S * 4/1976 Wagner D14/216
D248,647 S * 7/1978 Nussdorferq D14/216

1 Claim, 3 Drawing Sheets

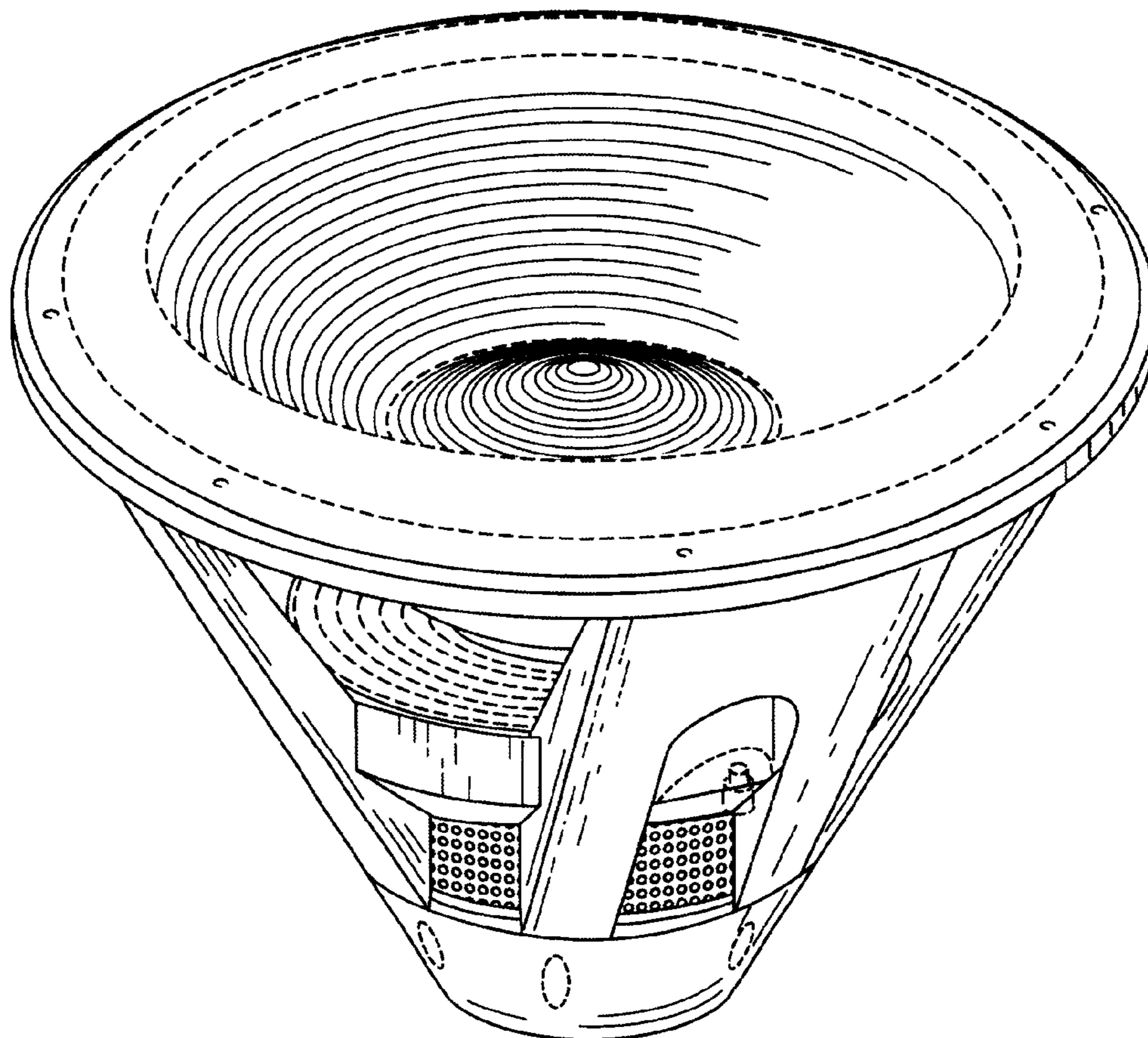




FIG. 1

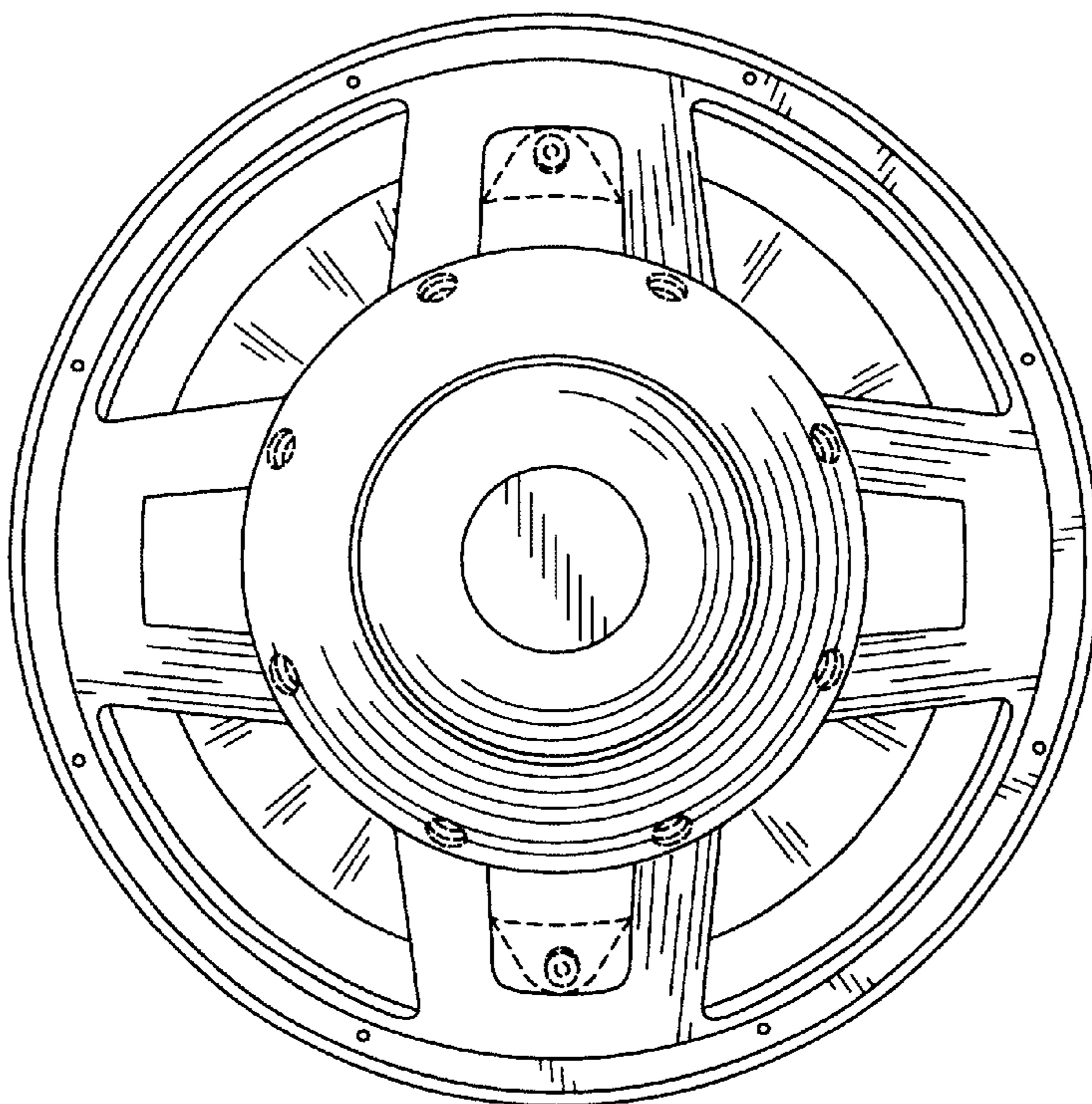


FIG. 2

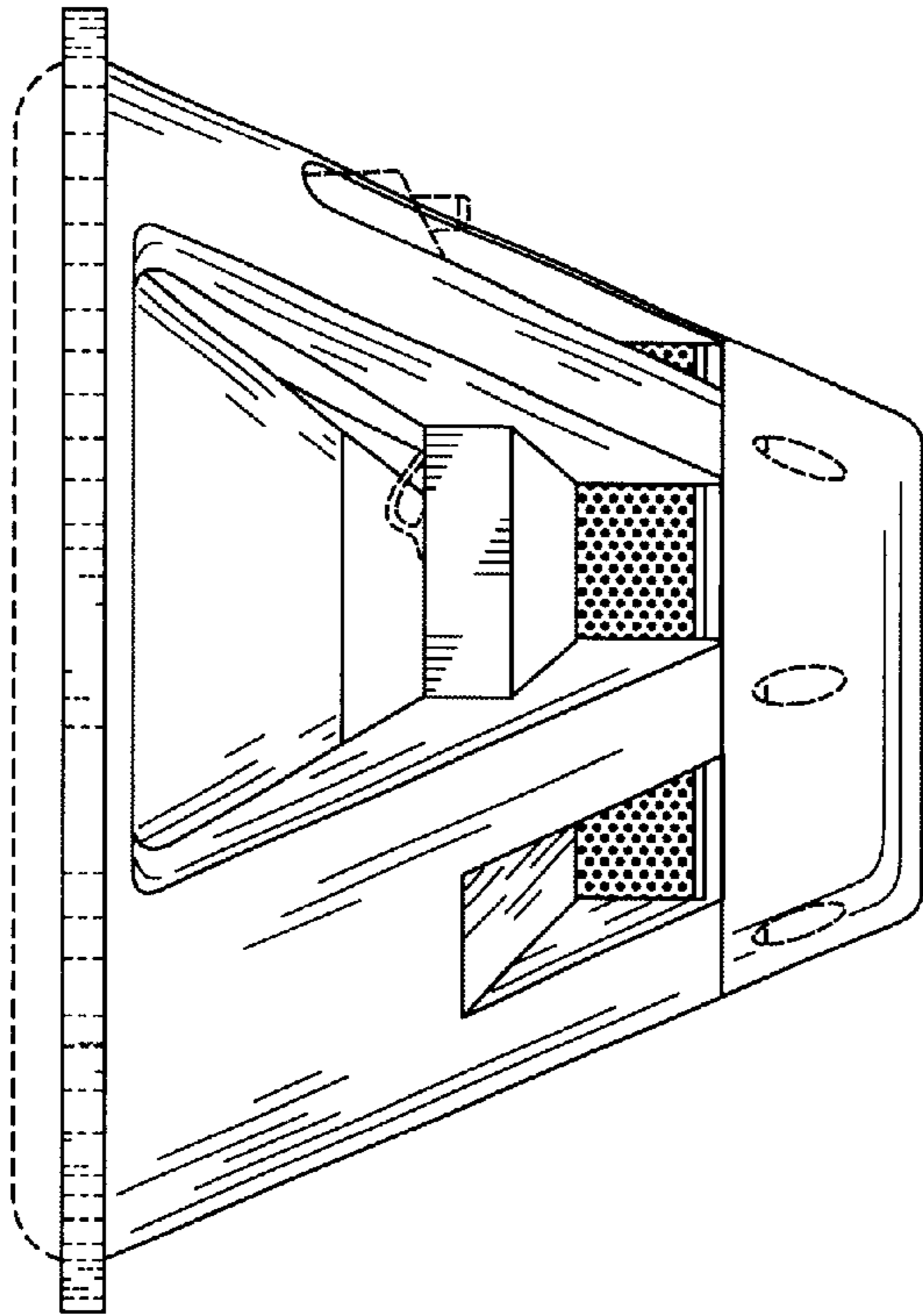


FIG. 3

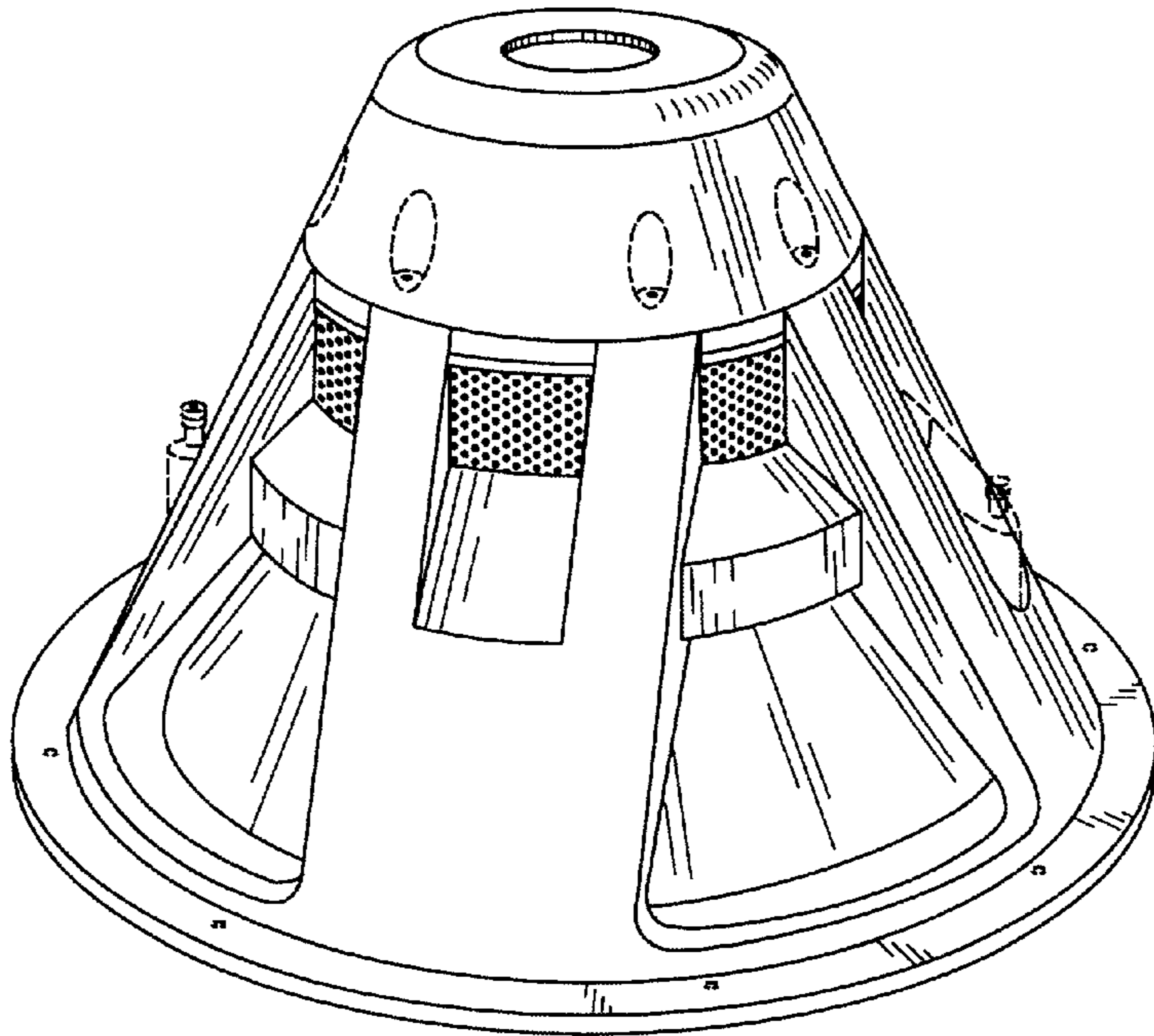


FIG. 4

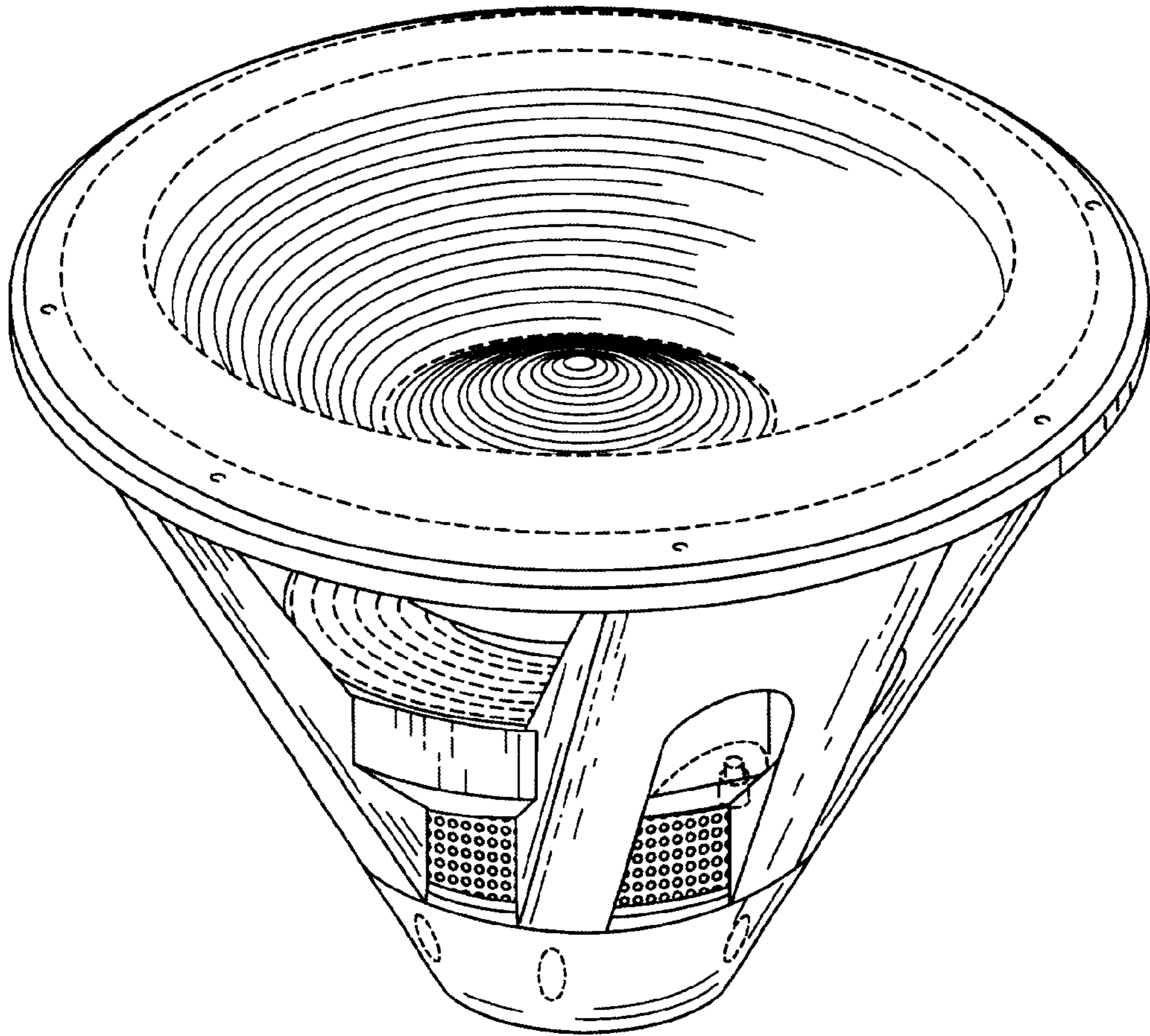


FIG. 5