



US00D483739S

(12) **United States Design Patent**  
**Olson et al.**

(10) **Patent No.:** **US D483,739 S**

(45) **Date of Patent:** **\*\* Dec. 16, 2003**

(54) **SPEAKER**

(75) Inventors: **Mark H. Olson**, Sunnyvale, CA (US);  
**Jeff Wyatt**, Sunnyvale, CA (US);  
**Michael Voege**, Sunnyvale, CA (US);  
**Luke Williams**, Sunnyvale, CA (US);  
**Garth Gibby**, Sunnyvale, CA (US);  
**Ethan Imbodem**, Sunnyvale, CA (US);  
**Ana Reza**, Sunnyvale, CA (US)

(73) Assignee: **Hannspree, Inc.** (TW)

(\*\*) Term: **14 Years**

(21) Appl. No.: **29/173,274**

(22) Filed: **Dec. 24, 2002**

(51) **LOC (7) Cl.** ..... **14-01**

(52) **U.S. Cl.** ..... **D14/214**

(58) **Field of Search** ..... D14/204, 207,  
D14/209-216, 356; 181/143-145, 147-148,  
150, 153, 157, 198-199; 381/300-302,  
306, 333, 345, 361-364, 386-388

(56) **References Cited**

**U.S. PATENT DOCUMENTS**

D302,979 S \* 8/1989 Sanders ..... D14/211

D416,259 S \* 11/1999 Hoyt et al. .... D14/214  
6,144,746 A \* 11/2000 Azima et al. .... 381/152  
D440,555 S \* 4/2001 Dietz et al. .... D14/214  
D449,829 S \* 10/2001 Gustavsson et al. .... D14/214  
D450,050 S \* 11/2001 Marcum et al. .... D14/214

\* cited by examiner

*Primary Examiner*—Nanda Bondade  
(74) *Attorney, Agent, or Firm*—Merchant & Gould LLC

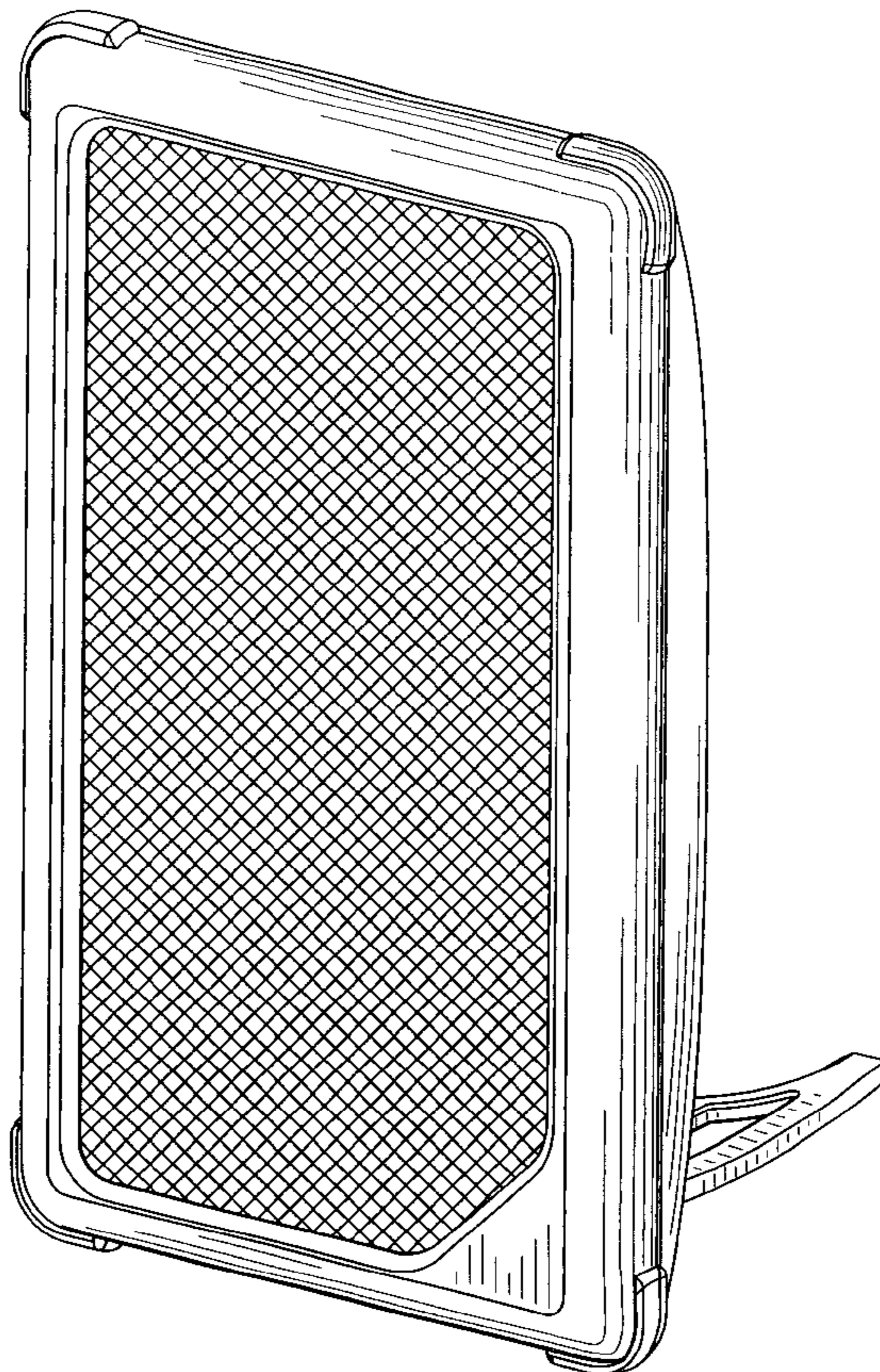
(57) **CLAIM**

The ornamental design for a speaker, as shown and described.

**DESCRIPTION**

FIG. 1 is a front perspective view thereof;  
FIG. 2 is a right side elevational view thereof;  
FIG. 3 is a top plan view thereof;  
FIG. 4 is a front elevational view thereof;  
FIG. 5 is a bottom plan view thereof;  
FIG. 6 is a left side elevational view thereof; and,  
FIG. 7 is a rear elevational view thereof.

**1 Claim, 7 Drawing Sheets**





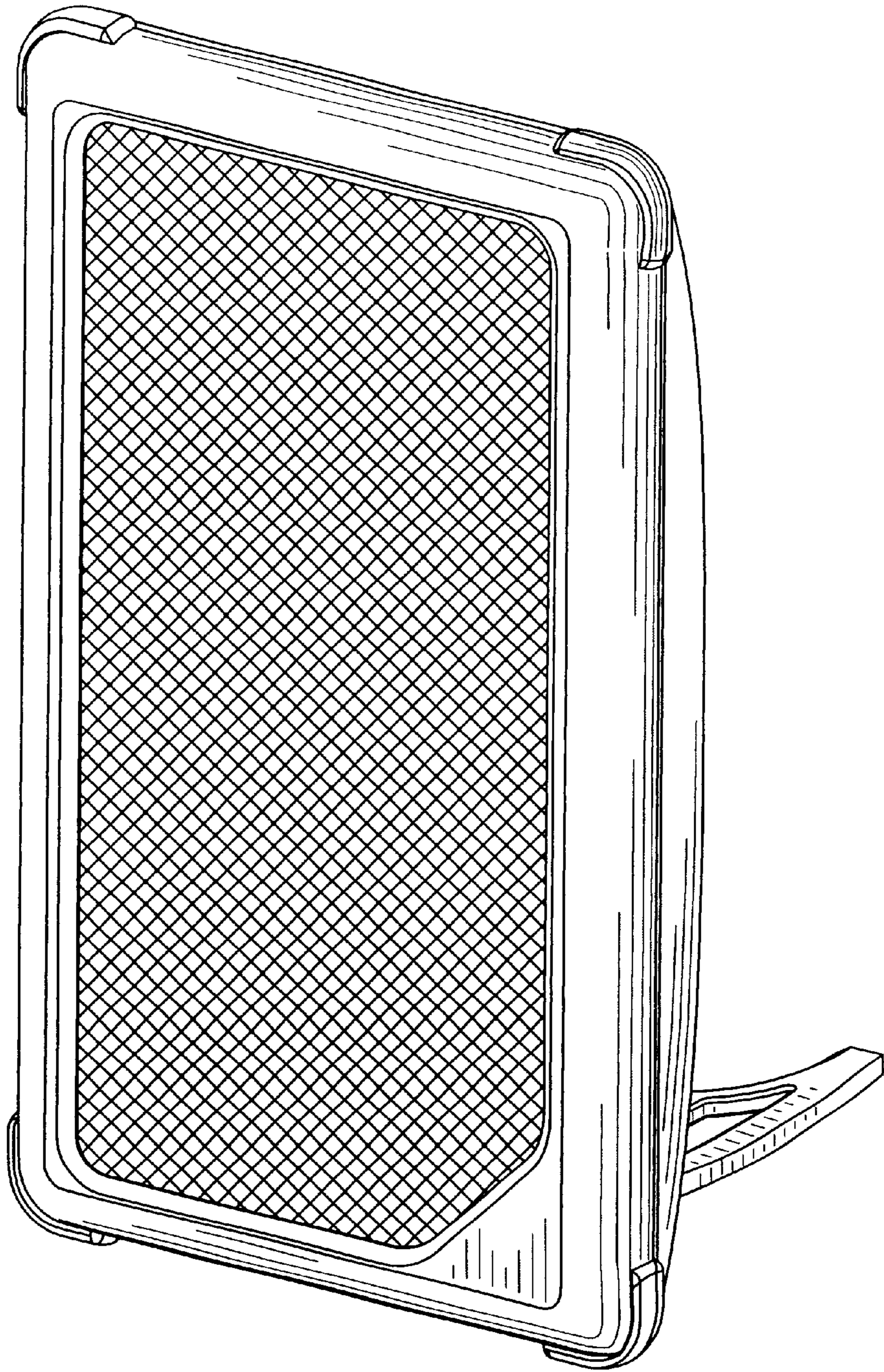


Fig. 1

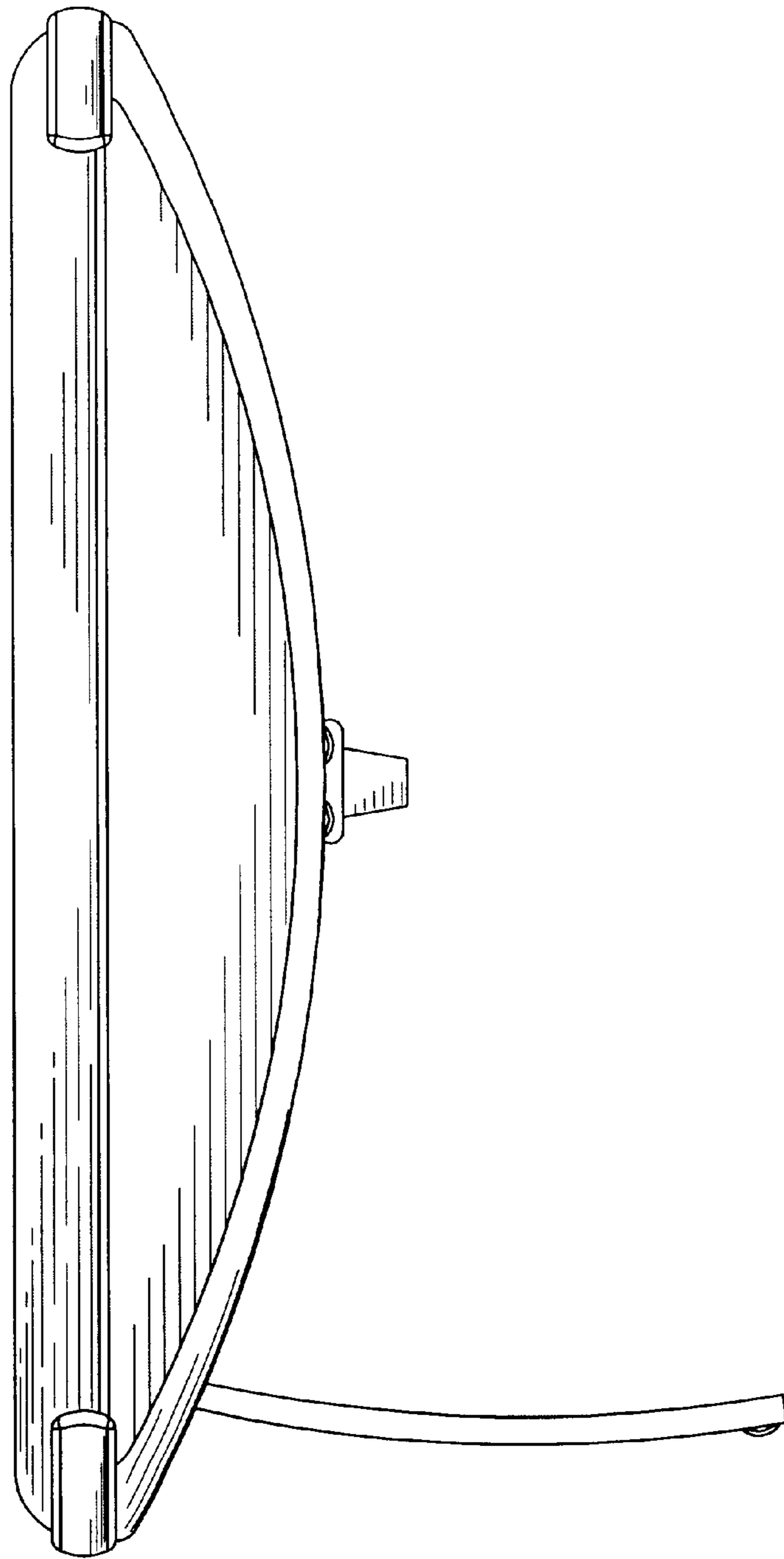


Fig. 2

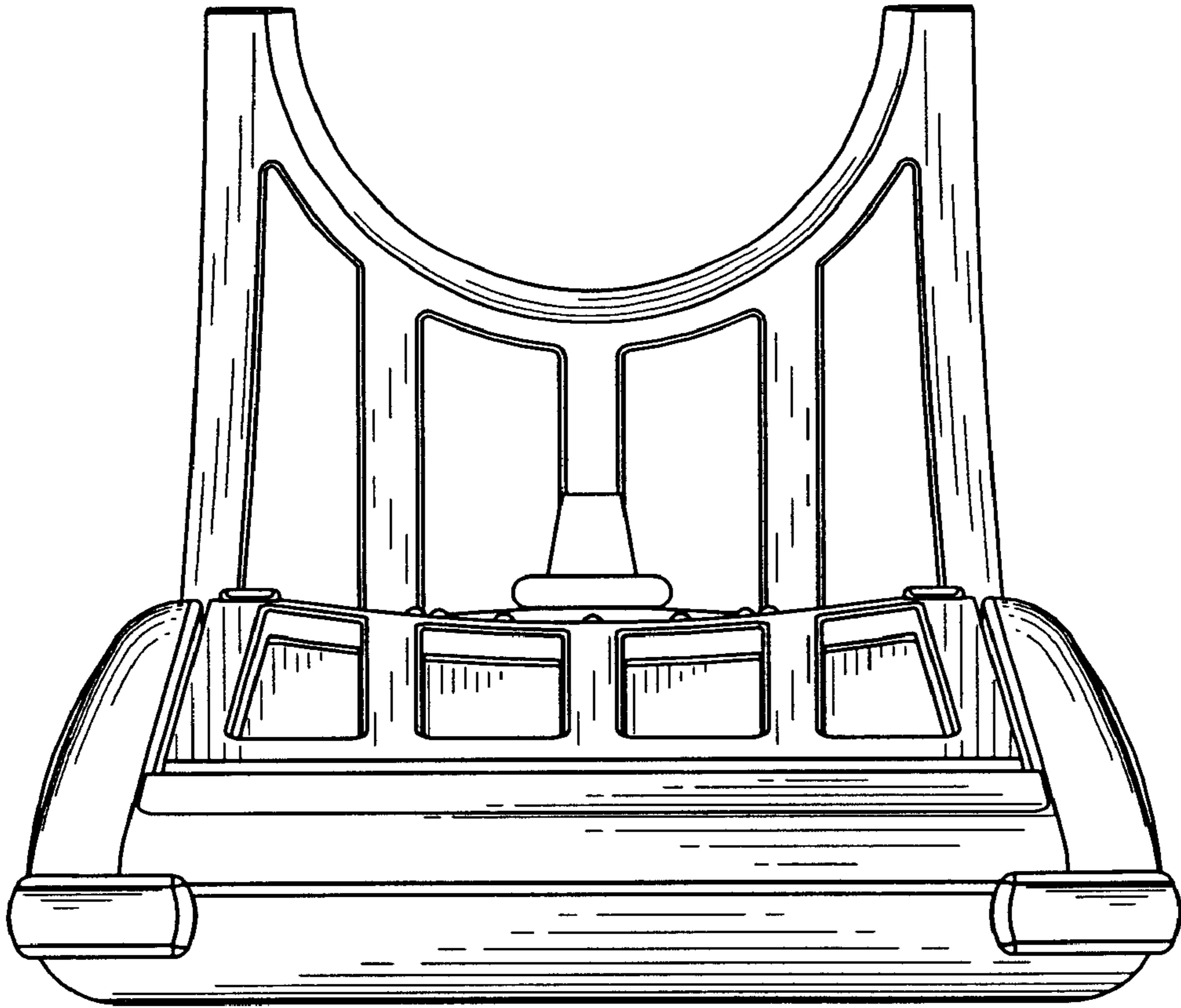


Fig. 3



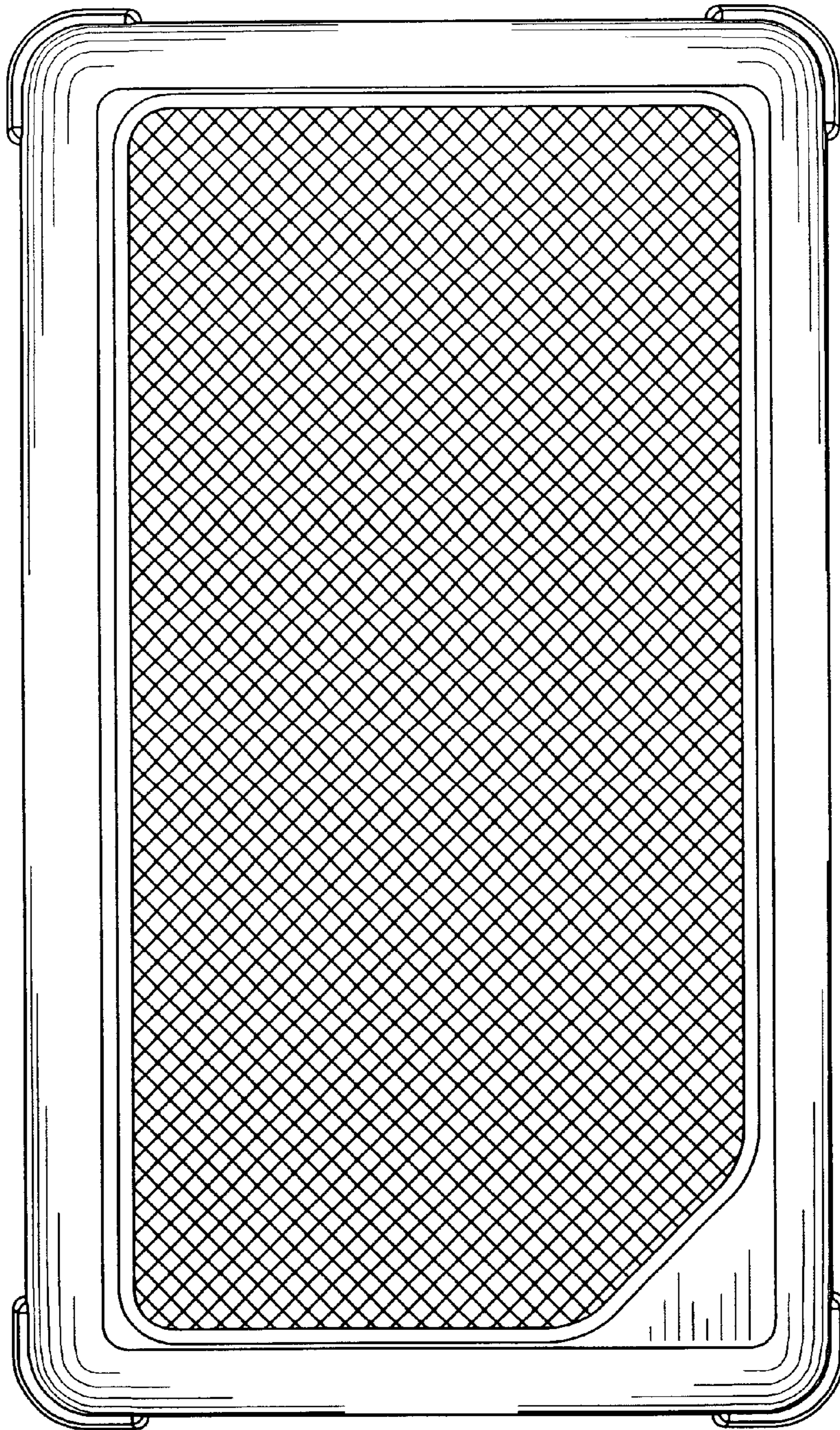


Fig. 4

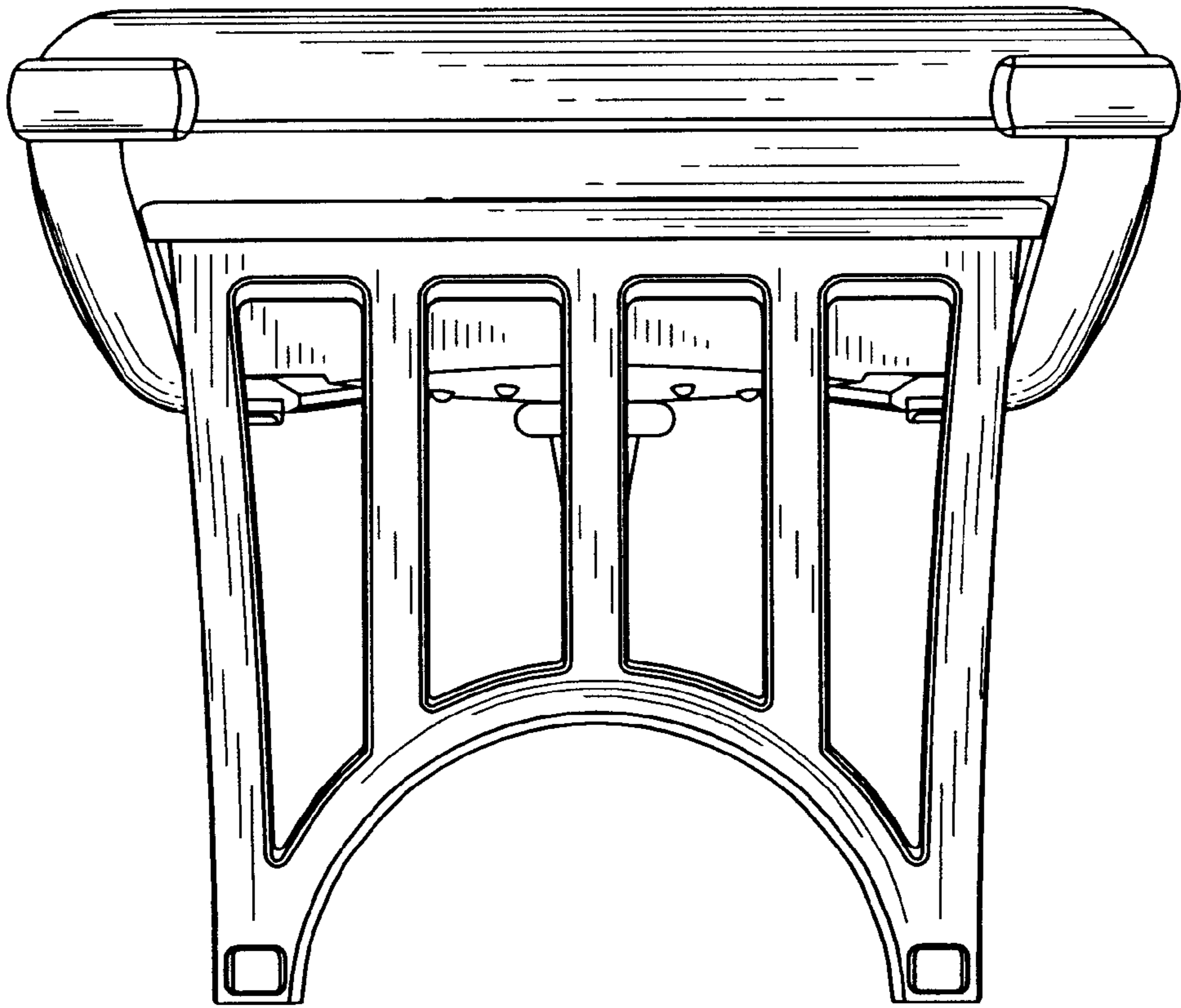


Fig. 5

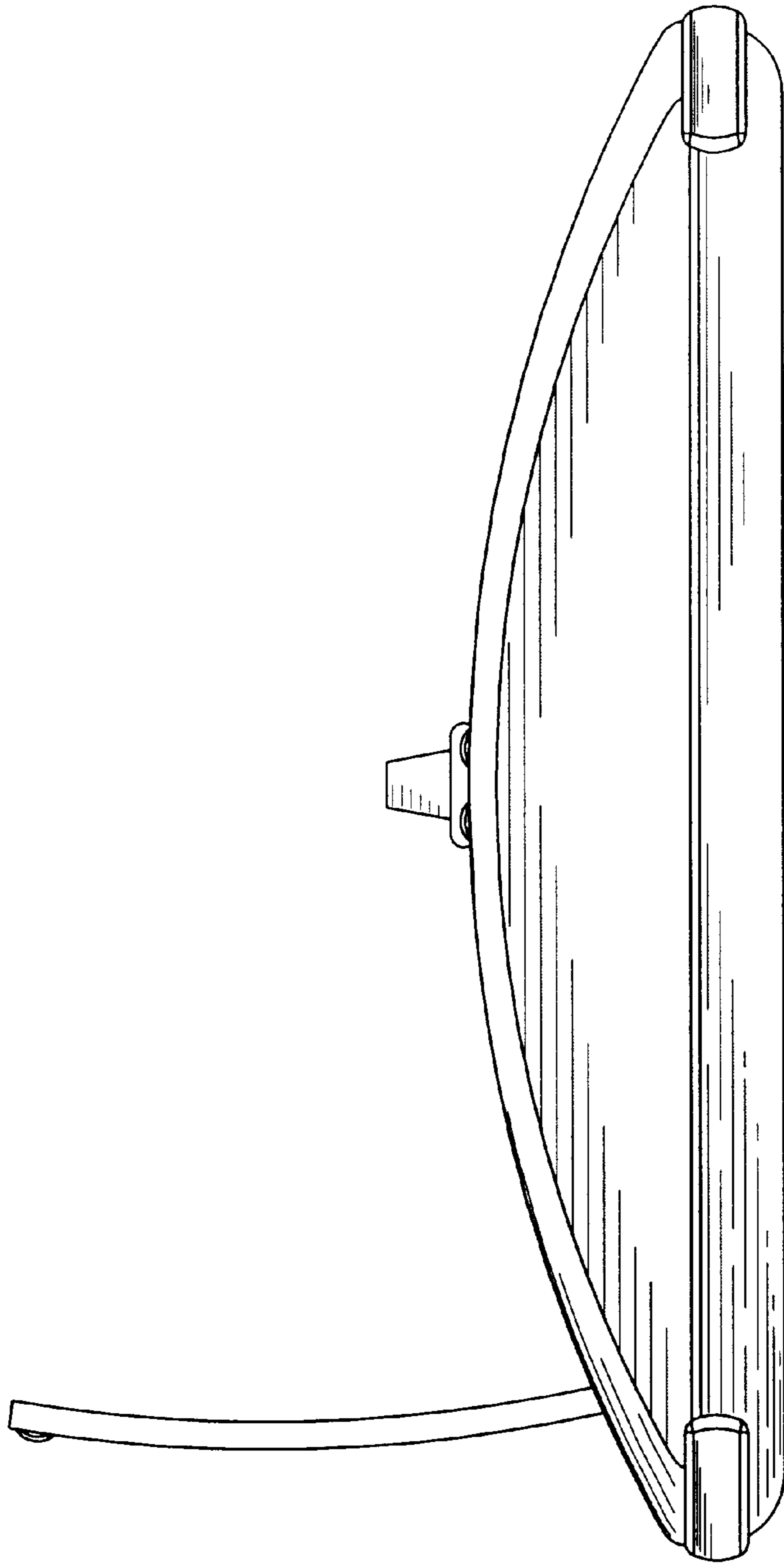


Fig. 6



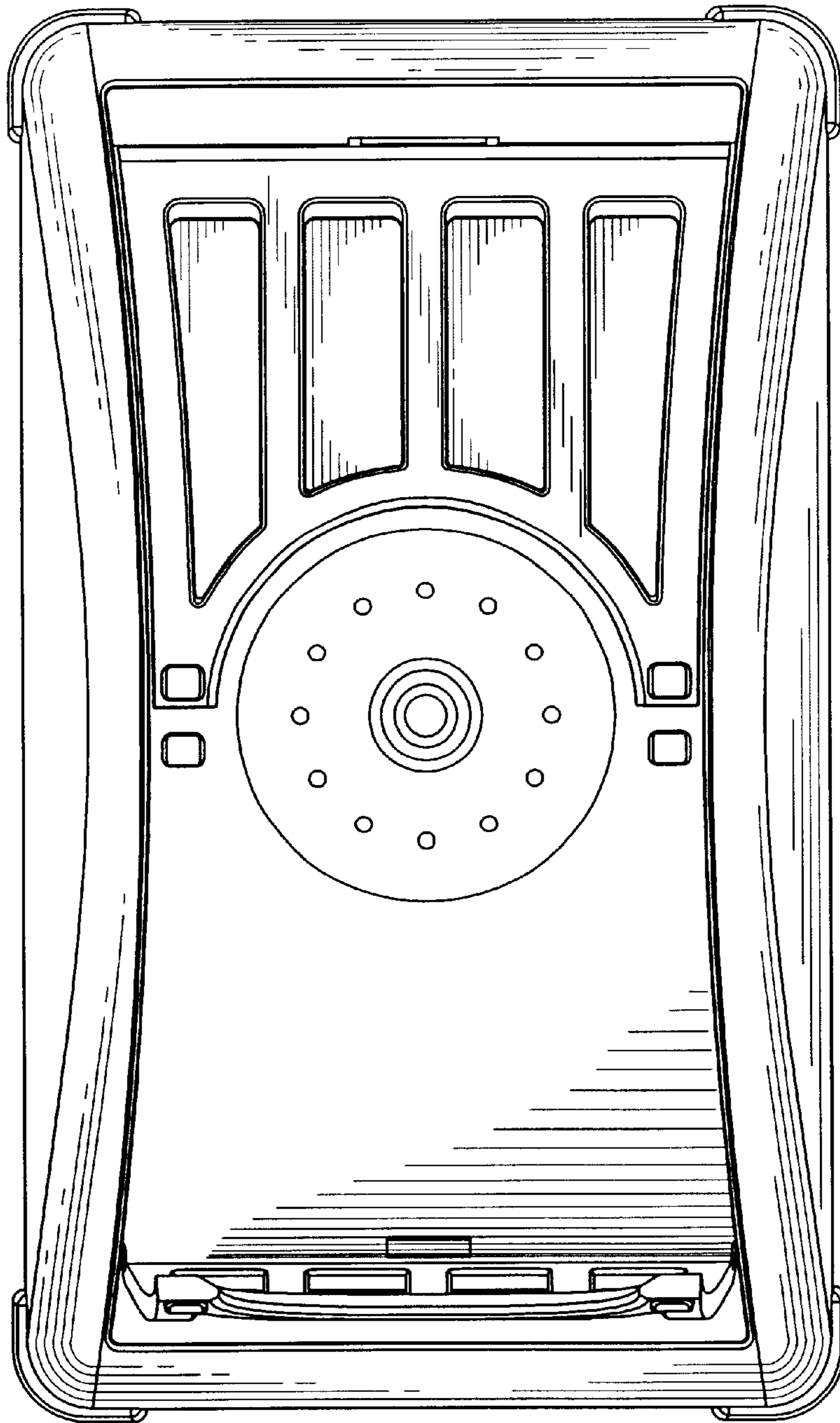


Fig. 7