



US00D483736S

(12) **United States Design Patent**  
**Tanaka**

(10) **Patent No.:** **US D483,736 S**

(45) **Date of Patent:** **\*\* Dec. 16, 2003**

(54) **COMBINED RADIO RECEIVER, DISC  
PLAYER AND CLOCK**

(75) Inventor: **Soichi Tanaka**, Tokyo (JP)

(73) Assignee: **Sony Corporation**, Tokyo (JP)

(\*\*) Term: **14 Years**

(21) Appl. No.: **29/170,133**

(22) Filed: **Nov. 1, 2002**

(51) **LOC (7) Cl.** ..... **14-01**

(52) **U.S. Cl.** ..... **D14/168**

(58) **Field of Search** ..... D14/135-136,  
D14/156-157, 160-165, 167-168, 188,  
193-198, 171-172; 369/75.1, 75.2, 77.1,  
77.2; 455/344, 347-351

(56) **References Cited**

**U.S. PATENT DOCUMENTS**

D425,062 S	*	5/2000	Kokkinis	.....	D14/168
D451,487 S	*	12/2001	Ng	.....	D14/156
D452,963 S		1/2002	Suzuki		
D456,385 S		4/2002	Suzuki		
D458,918 S		6/2002	Suzuki		
D463,782 S	*	10/2002	Chan	.....	D14/196

**OTHER PUBLICATIONS**

Web page "Sony eCatalog" [http://www.ecat.sony.co.jp/audio/radio\\_cassette/products/index.cfm?PD=325](http://www.ecat.sony.co.jp/audio/radio_cassette/products/index.cfm?PD=325), 1 sheet, SONY (Aug. 2002).

\* cited by examiner

*Primary Examiner*—Nanda Bondade

(74) *Attorney, Agent, or Firm*—Rader, Fishman & Grauer PLLC

(57) **CLAIM**

The ornamental design for a combined radio receiver, disc player and clock, as shown.

**DESCRIPTION**

FIG. 1 is a perspective view of a combined radio receiver, disc player and clock showing my new design; FIG. 2 is a front elevational view thereof; FIG. 3 is a rear elevational view thereof; FIG. 4 is a left side elevational view thereof; FIG. 5 is a right side elevational view thereof; FIG. 6 is a top plan view thereof; and, FIG. 7 is a bottom plan view thereof.

**1 Claim, 5 Drawing Sheets**

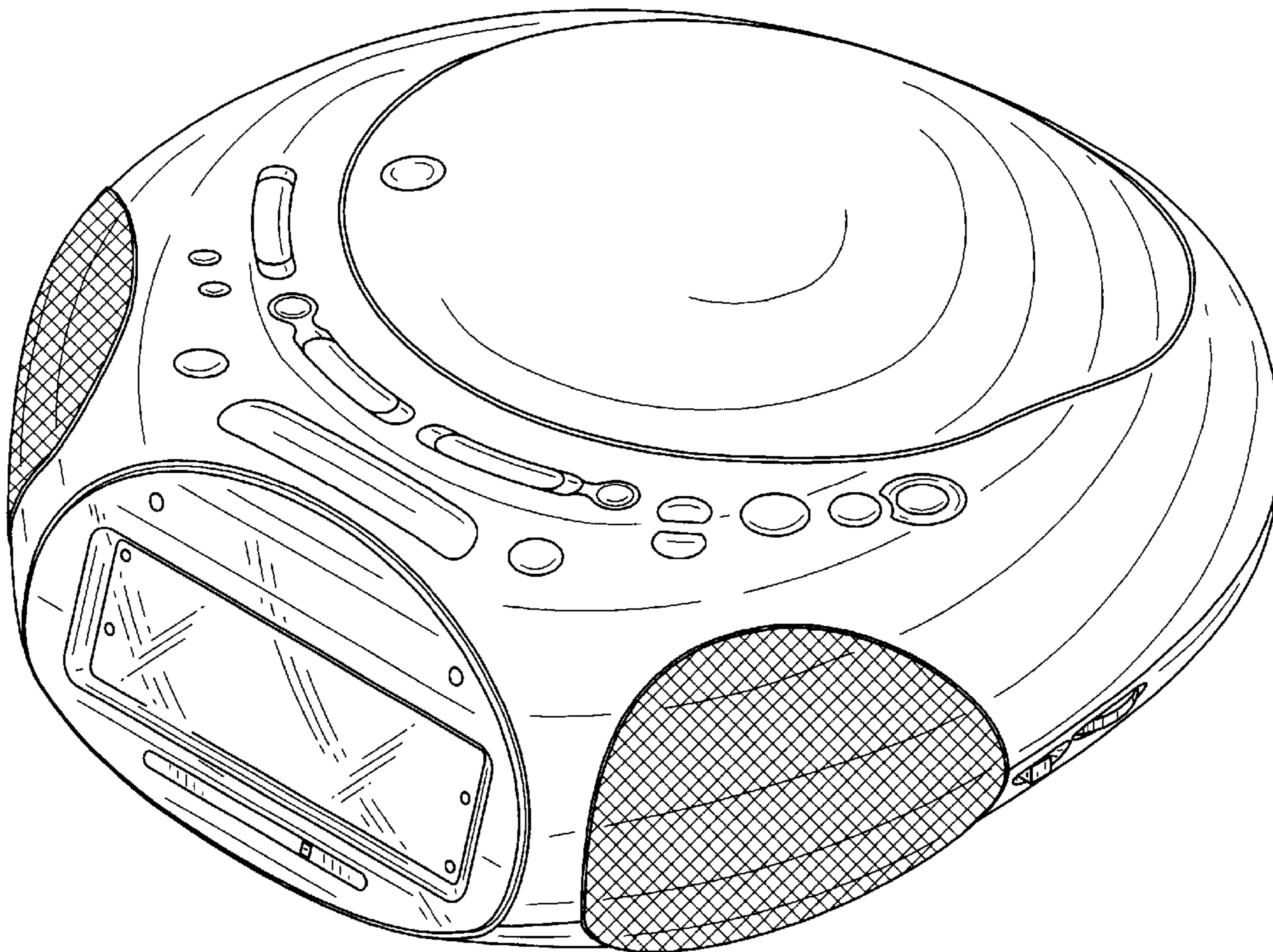


FIG. 1

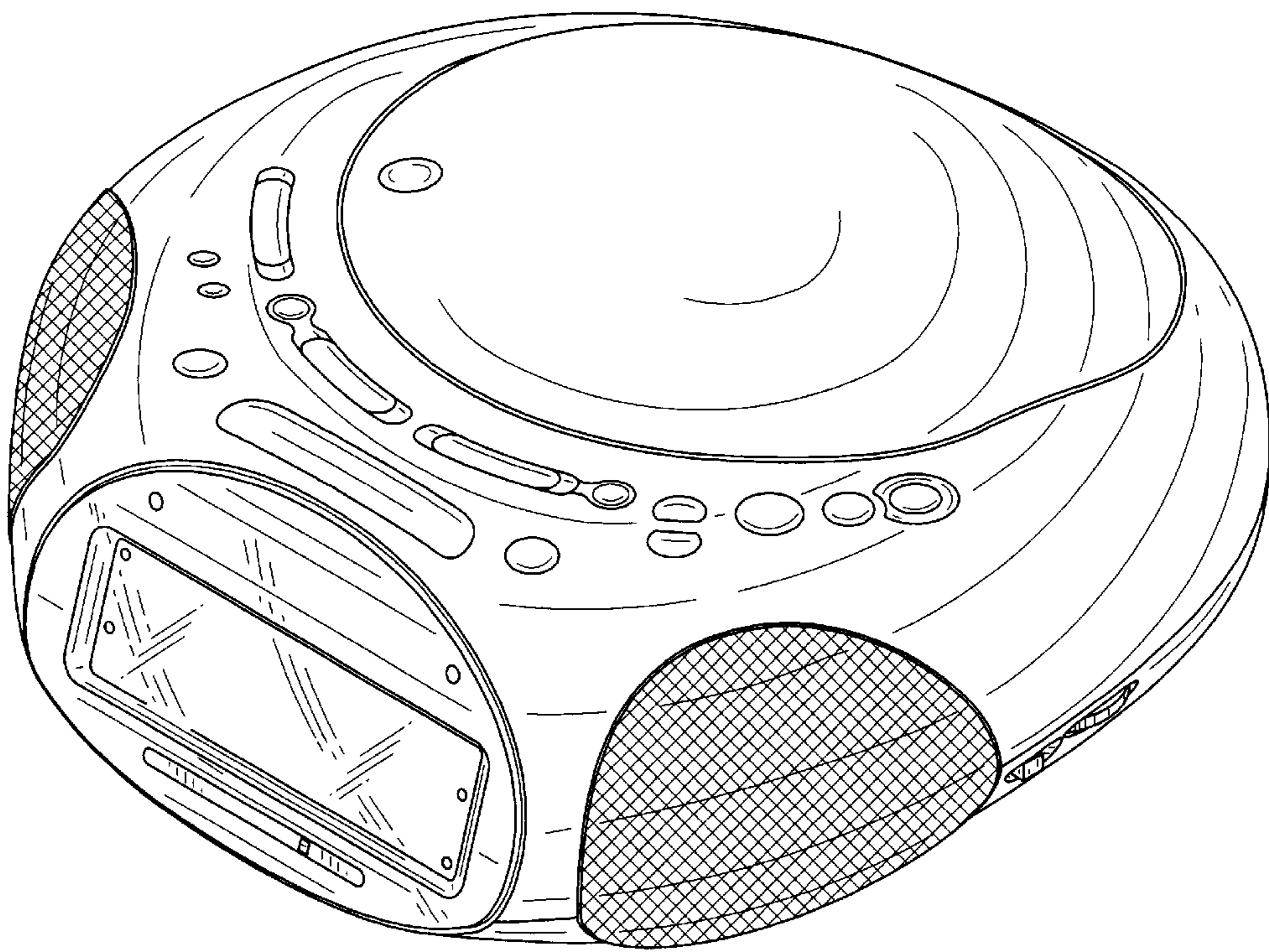


FIG. 2

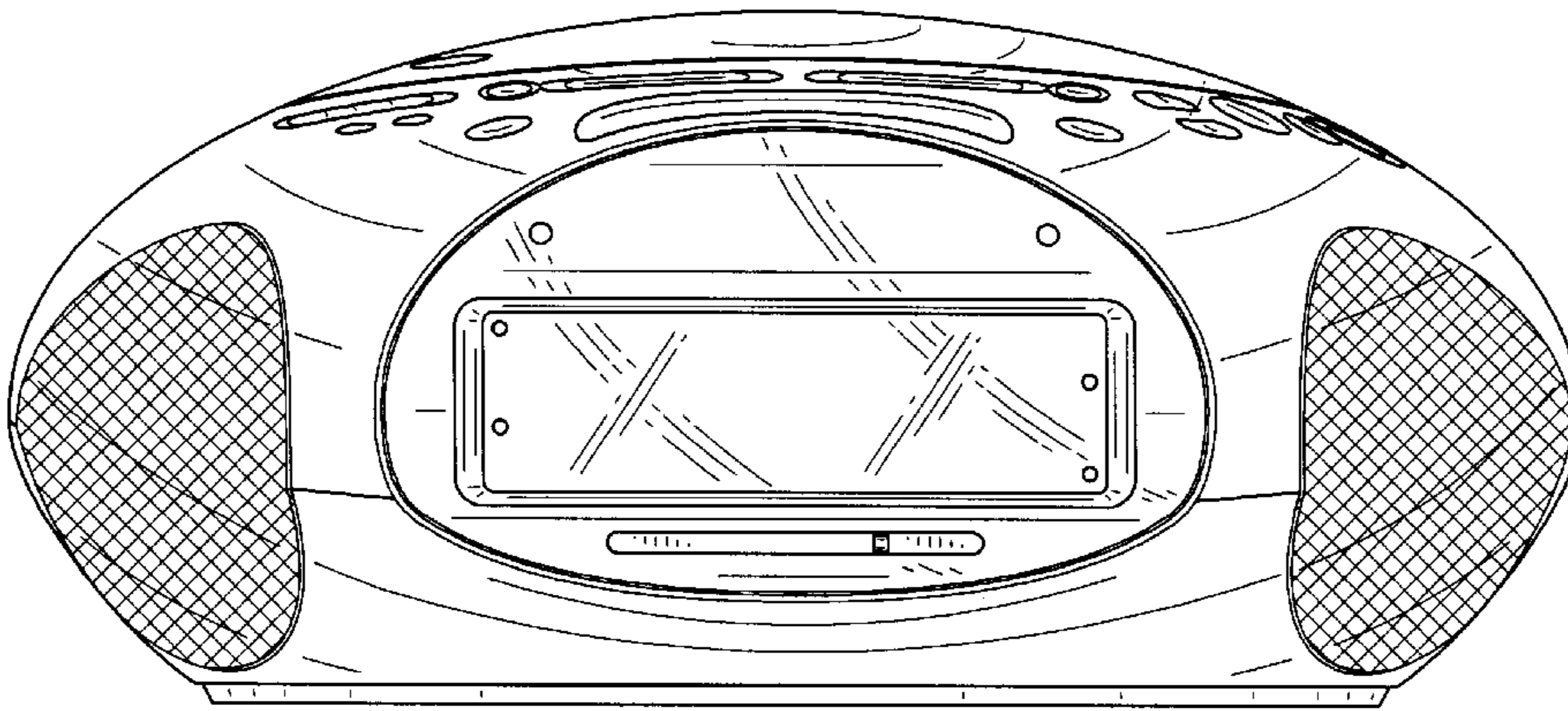


FIG. 3

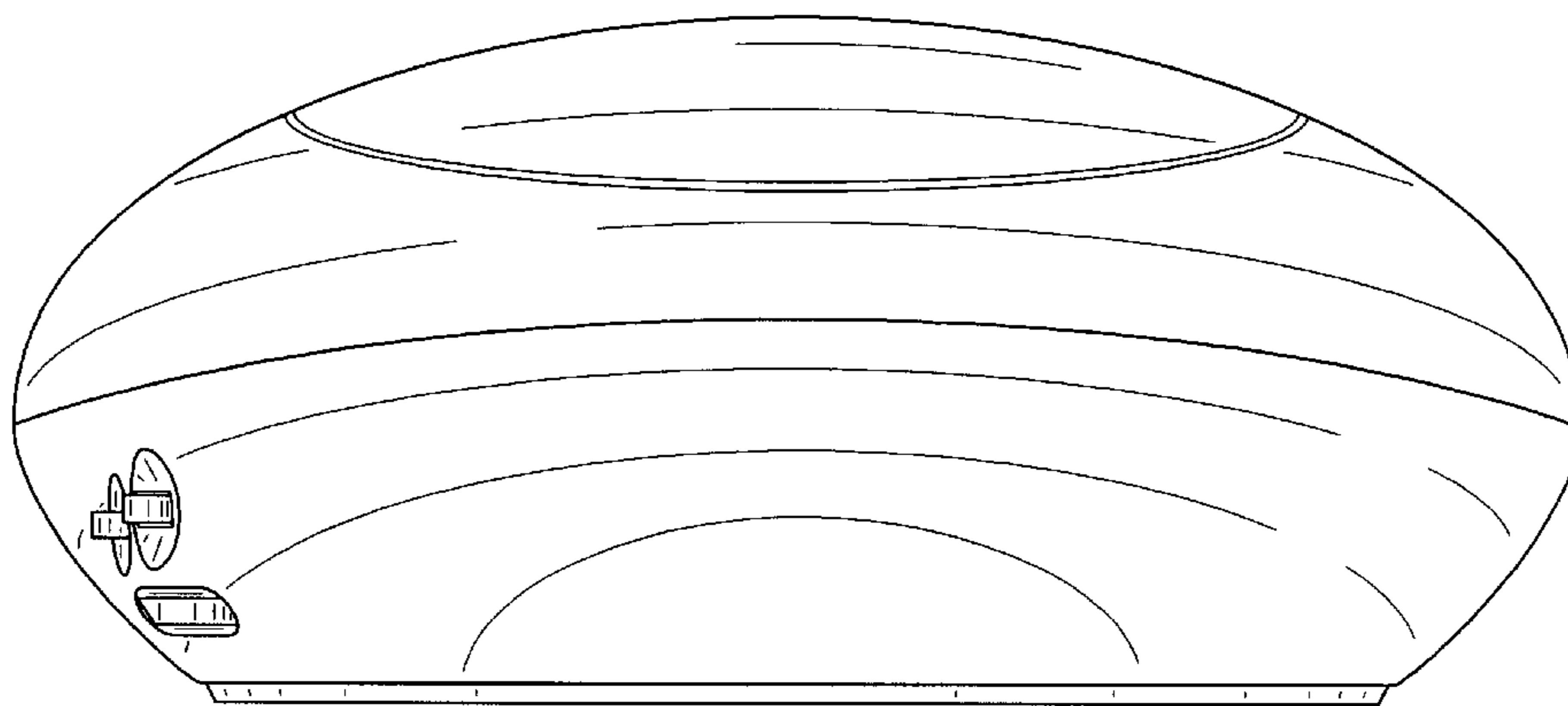




FIG. 4

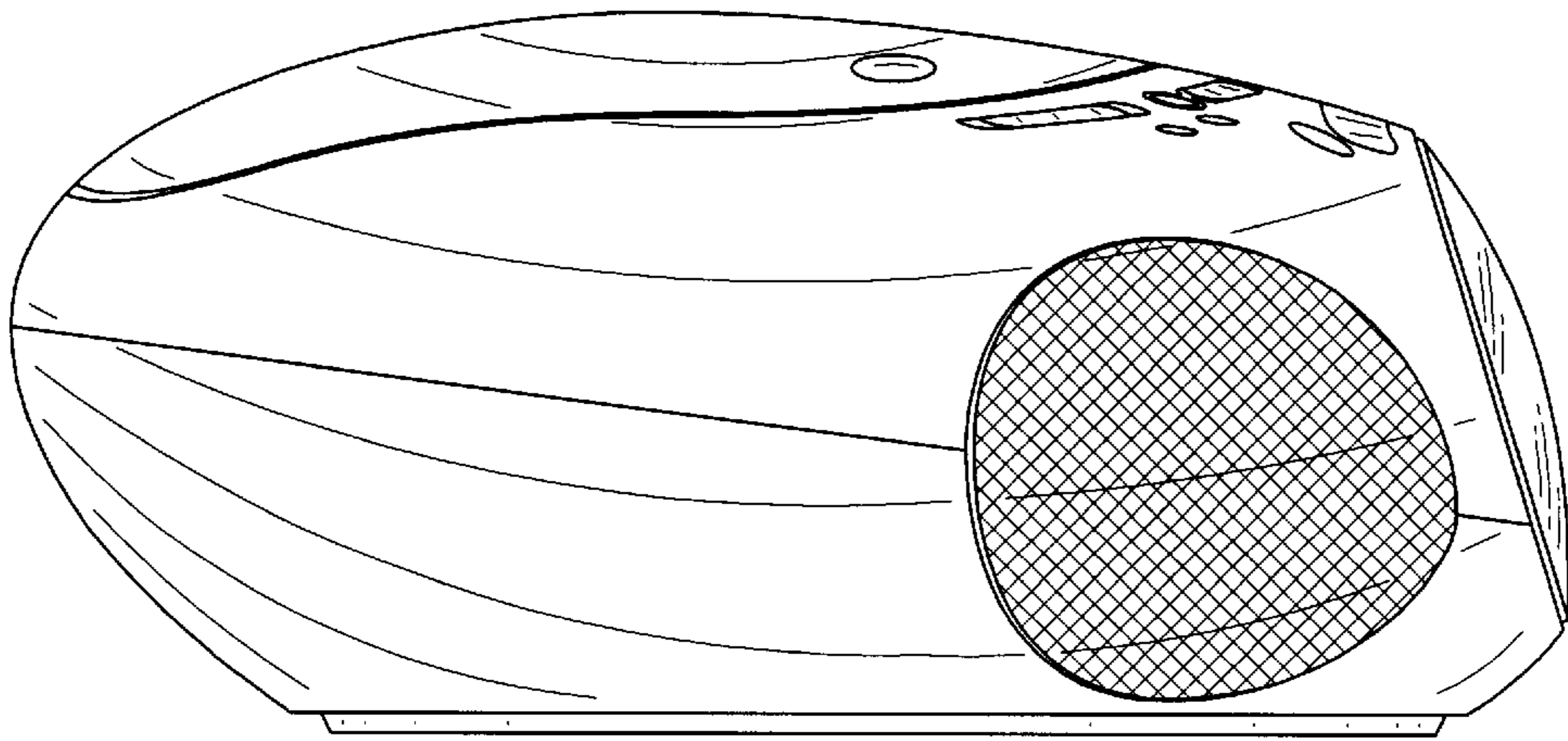


FIG. 5

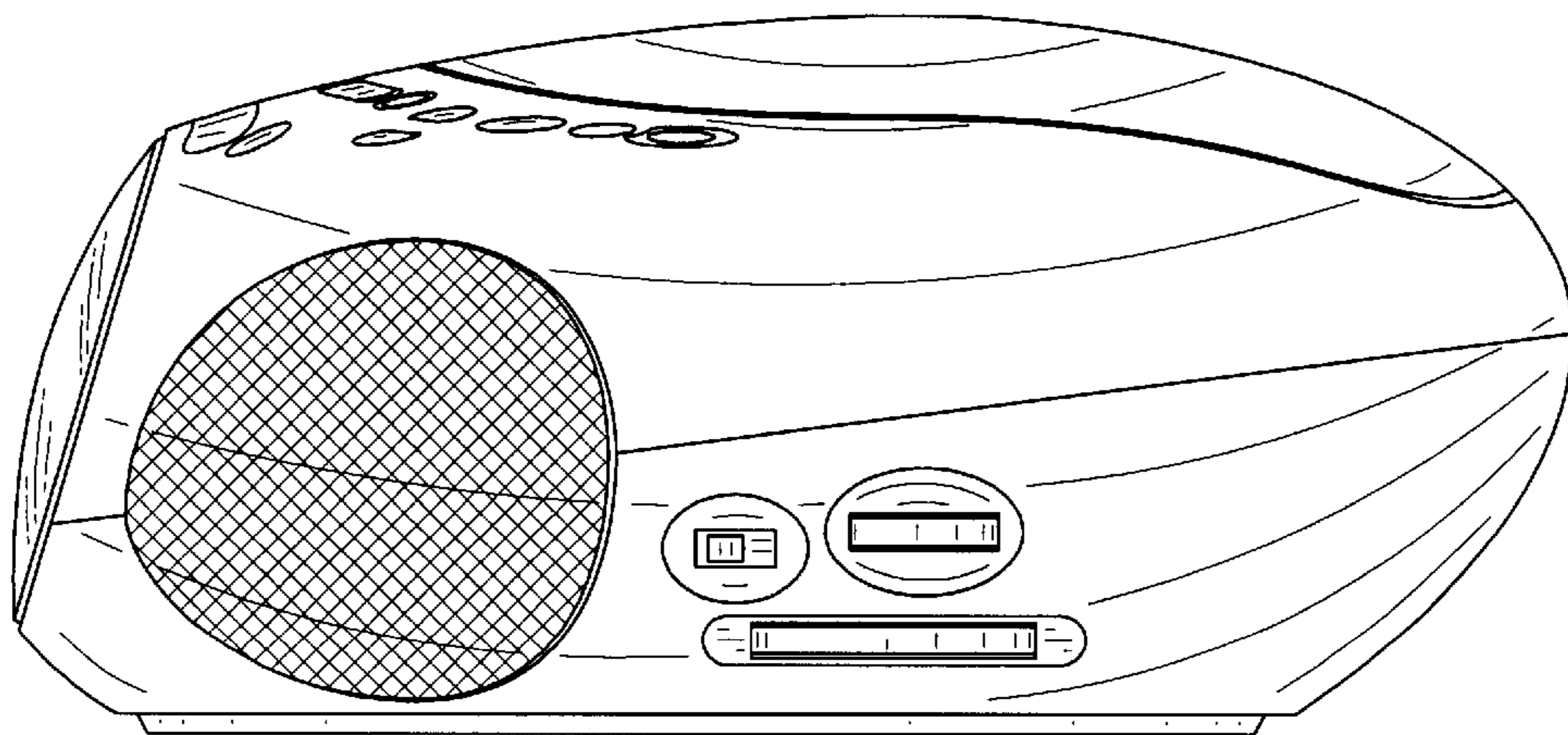


FIG. 6

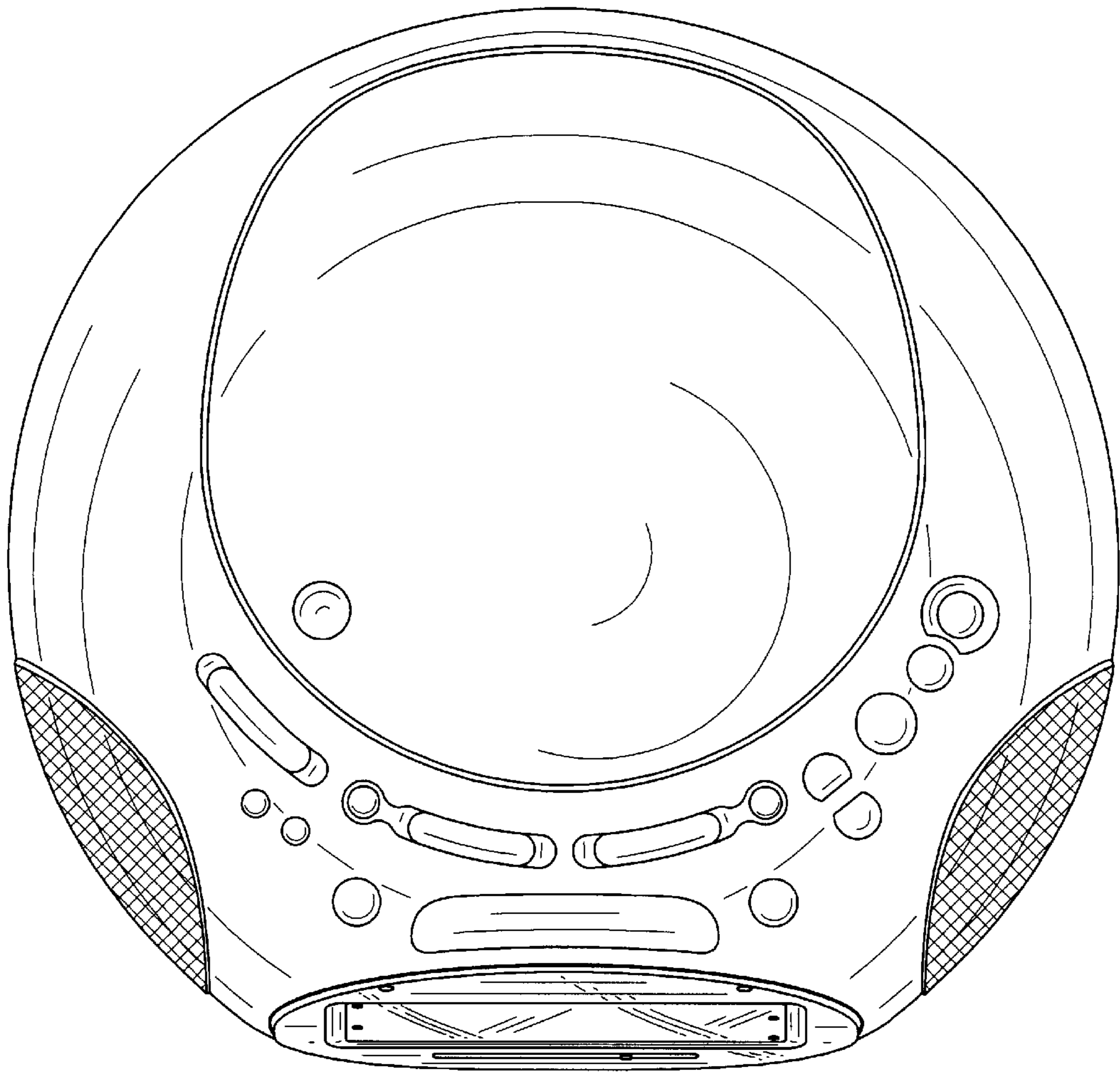


FIG. 7

