



US00D483731S

(12) **United States Design Patent**
Yoshihara

(10) **Patent No.:** **US D483,731 S**

(45) **Date of Patent:** **** Dec. 16, 2003**

(54) **DIGITAL DISK PLAYER**

D391,958 S * 3/1998 Miyazawa et al. D14/157
5,862,468 A * 1/1999 Kim 369/75.1

(75) Inventor: **Keiichiro Yoshihara**, Tokyo (JP)

* cited by examiner

(73) Assignee: **Clarion Co., Ltd.**, Tokyo (JP)

Primary Examiner—Nanda Bondade

(**) Term: **14 Years**

(74) *Attorney, Agent, or Firm*—Chapman and Cutler LLP

(21) Appl. No.: **29/173,295**

(57) **CLAIM**

(22) Filed: **Dec. 26, 2002**

The ornamental design for a digital disk player, as shown and described.

(51) **LOC (7) Cl.** **14-03**

DESCRIPTION

(52) **U.S. Cl.** **D14/157**

(58) **Field of Search** D14/135-136,
D14/156-157, 160-164, 167-168, 188,
193-198, 257-258, 265; 362/26-27, 86,
253; 369/6-7, 75.1, 75.2, 77.1, 77.2; 455/344,
347, 350-351

FIG. 1 is a perspective view of a digital disk player, showing my new design;

FIG. 2 is a front elevational view thereof;

FIG. 3 is a top plan view thereof;

FIG. 4 is a bottom plan view thereof;

FIG. 5 is a left side elevational view thereof;

FIG. 6 is a right side elevational view thereof; and,

FIG. 7 is a rear elevational view thereof.

The broken lines in the drawings are for illustrative purposes and form no part of the claimed design.

(56) **References Cited**

U.S. PATENT DOCUMENTS

D313,023 S * 12/1990 Kolenda et al. D14/258
D351,167 S * 10/1994 Yun D14/156
5,477,432 A * 12/1995 Magic et al. D14/258

1 Claim, 3 Drawing Sheets

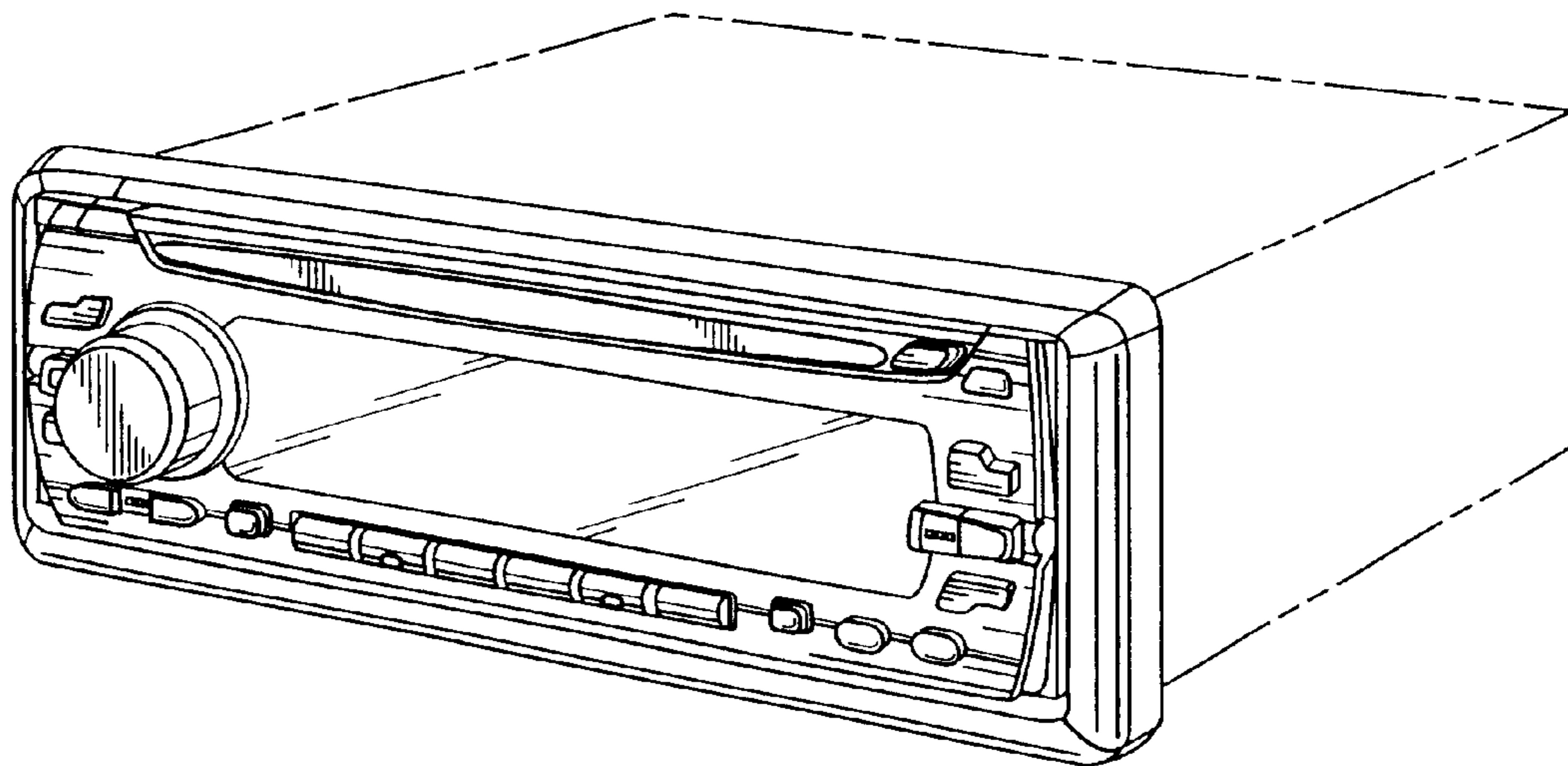


Fig. 1

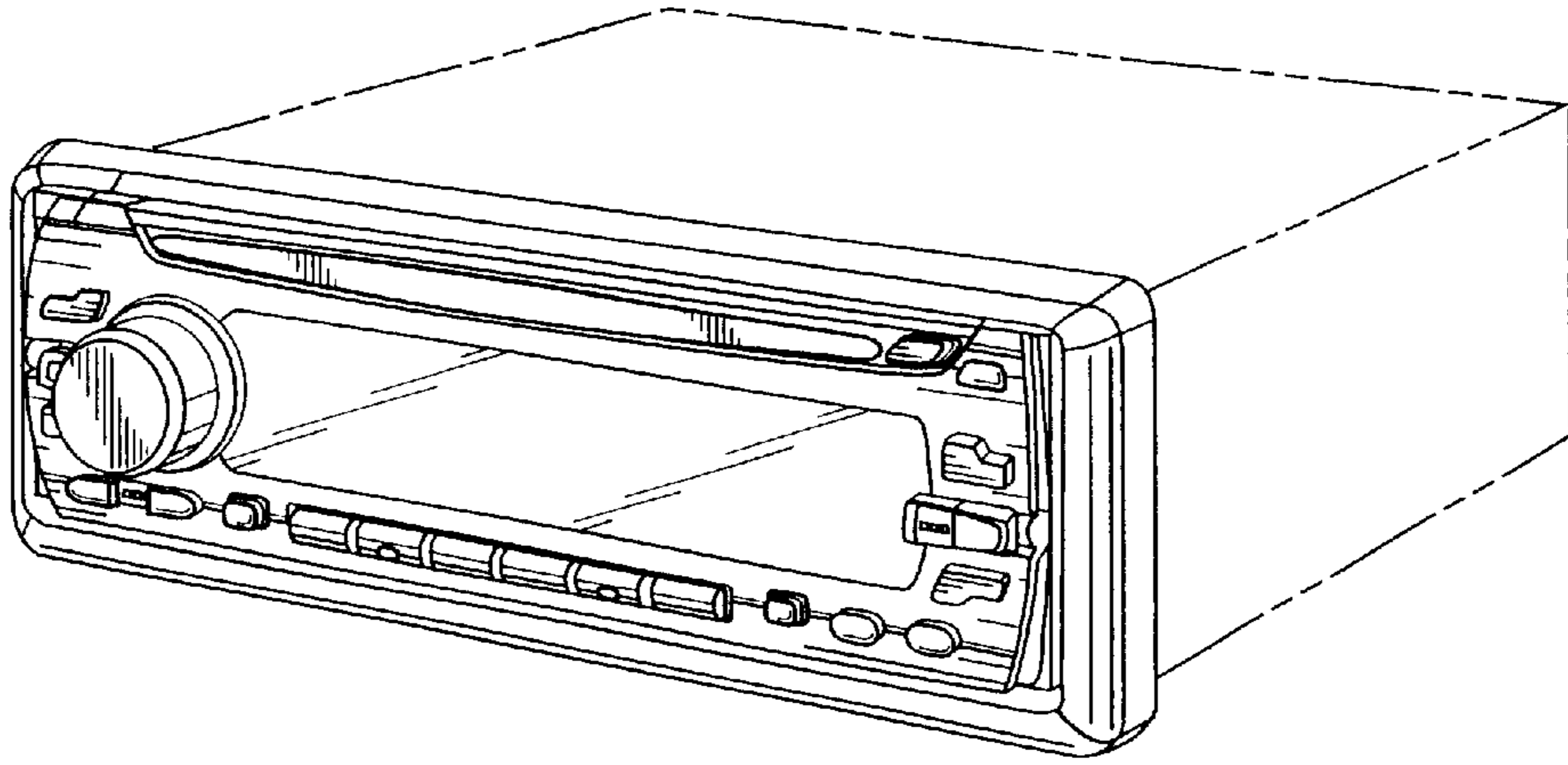


Fig. 2

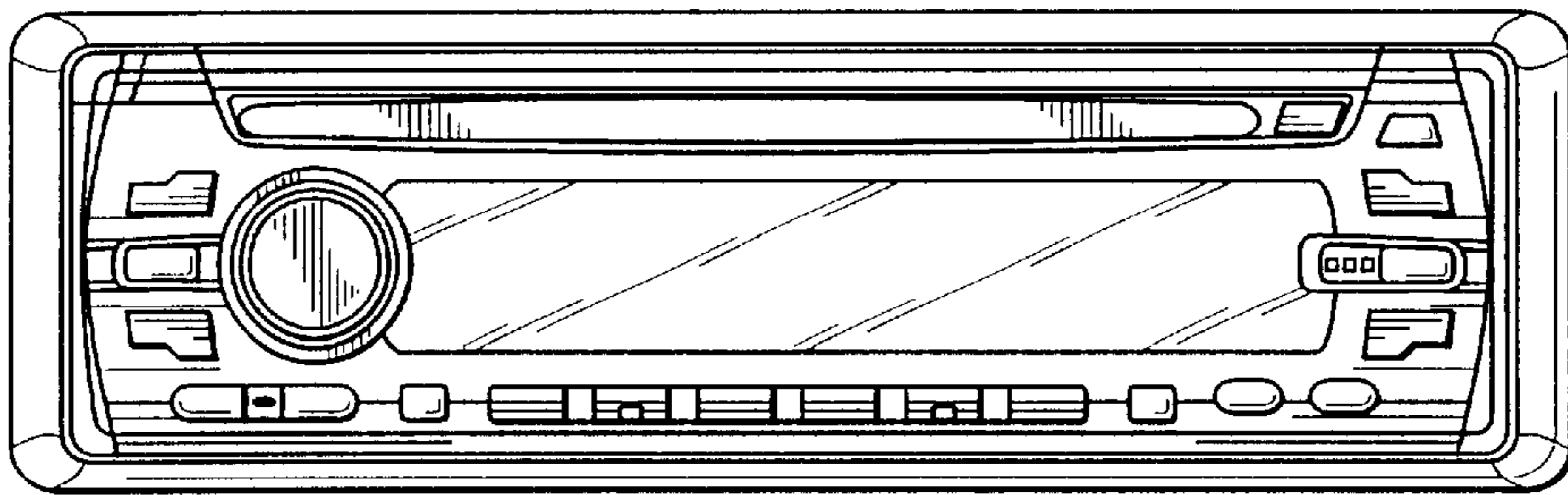


Fig. 3

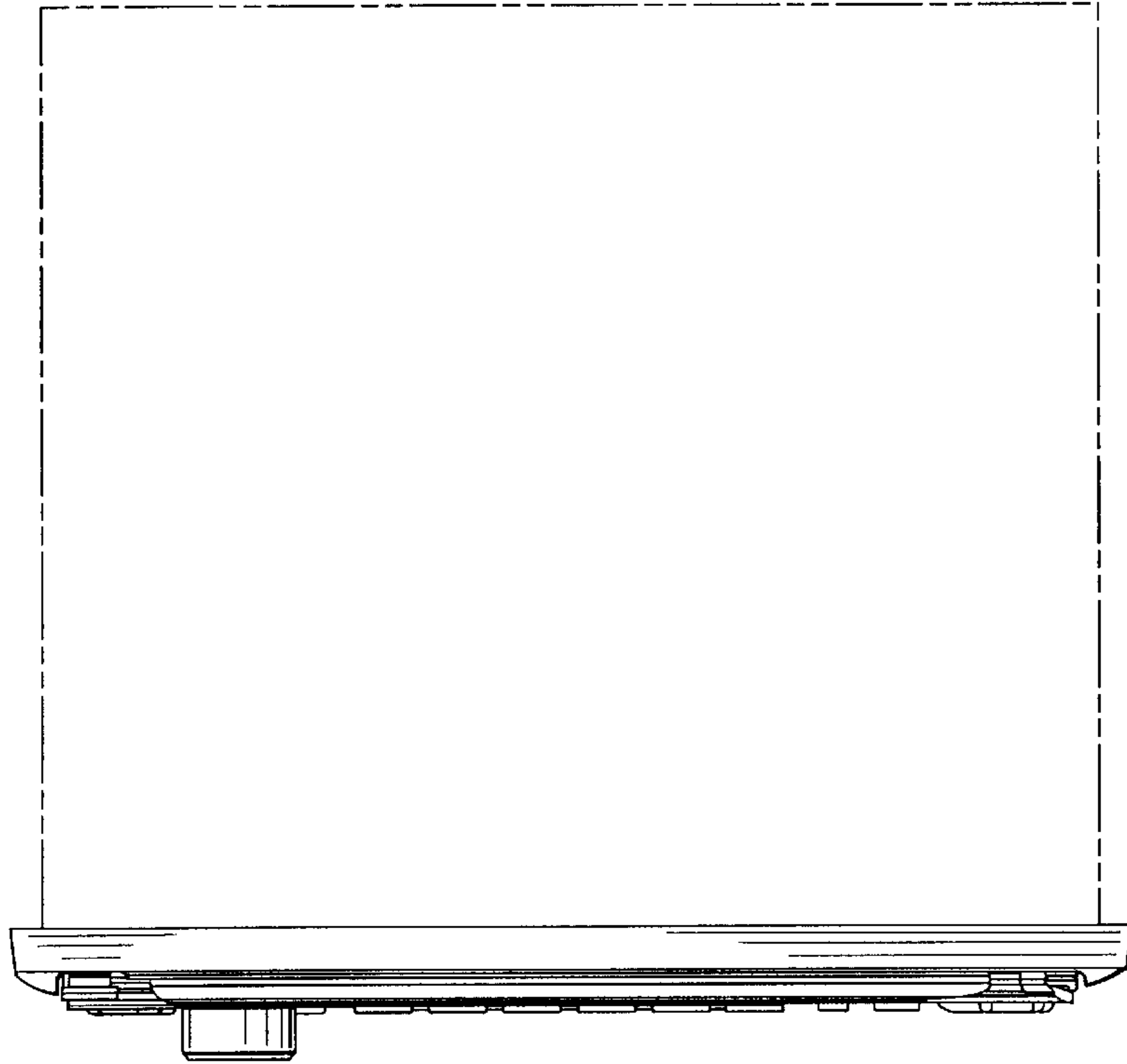


Fig. 4

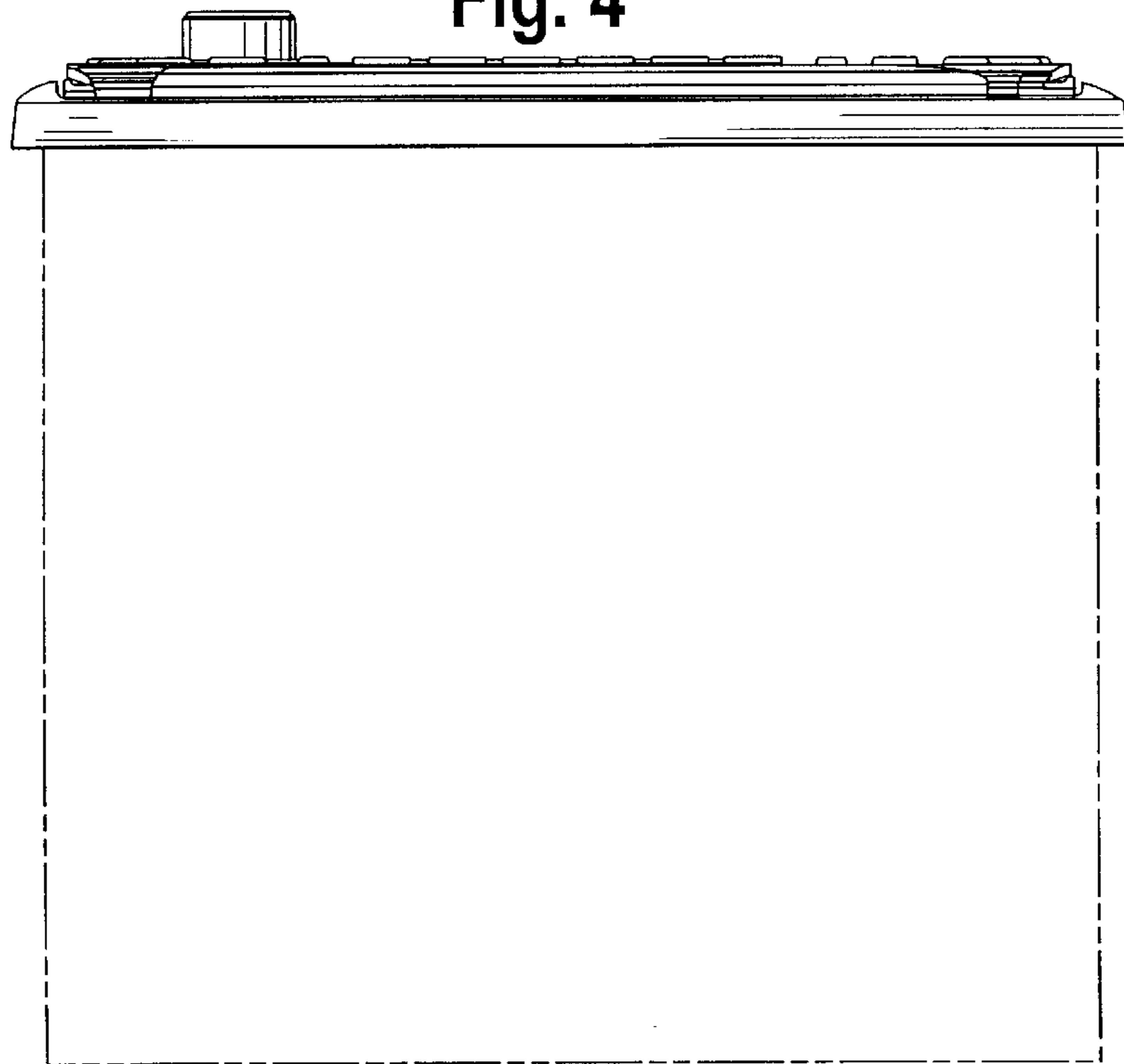


Fig. 5

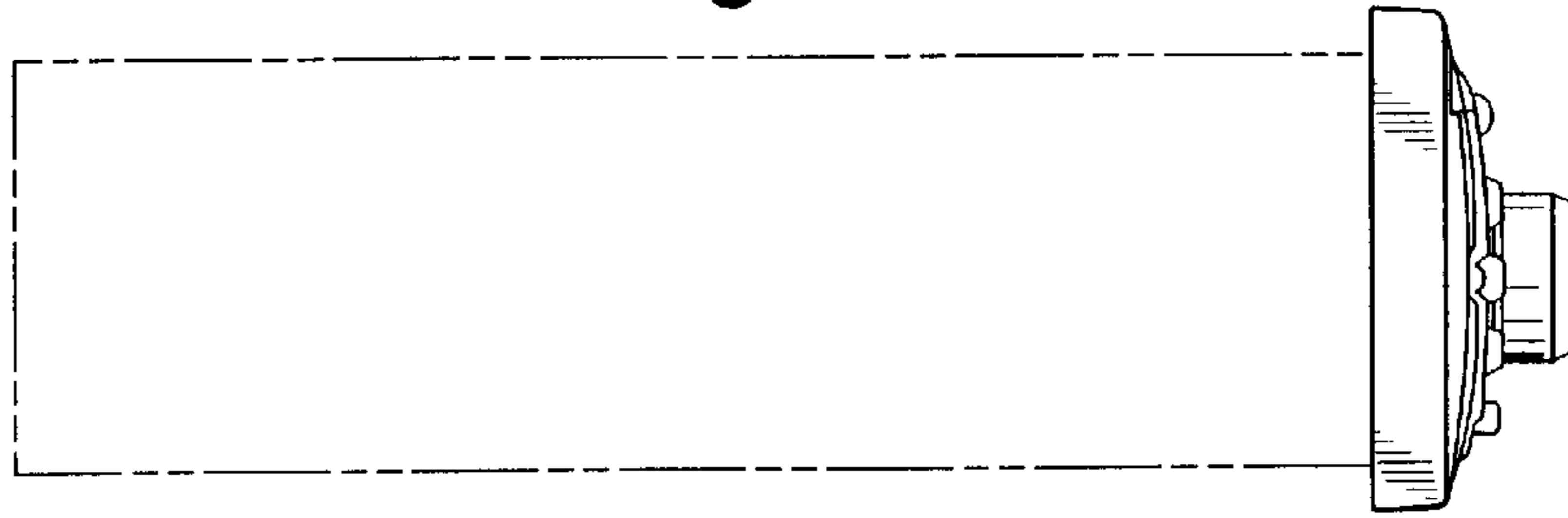


Fig. 6

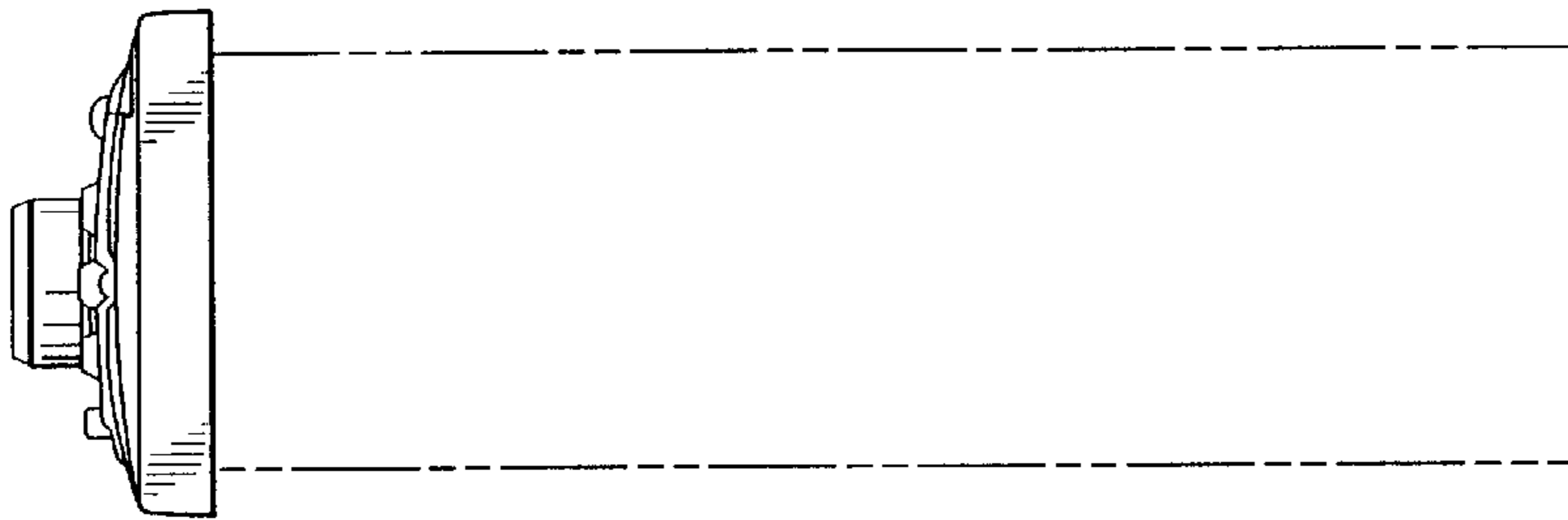


Fig. 7

