



US00D483728S

(12) **United States Design Patent**
Kim

(10) **Patent No.:** **US D483,728 S**

(45) **Date of Patent:** **** Dec. 16, 2003**

(54) **DIGITAL VIDEO DISK PLAYER**

(75) Inventor: **Jong Kil Kim**, Kyonggi-do (KR)

(73) Assignee: **LG Electronics Inc.**, Seoul (KR)

(**) Term: **14 Years**

(21) Appl. No.: **29/155,636**

(22) Filed: **Feb. 15, 2002**

(30) **Foreign Application Priority Data**

Aug. 24, 2001 (KR) 2001-23557

(51) **LOC (7) Cl.** **14-01**

(52) **U.S. Cl.** **D14/136**

(58) **Field of Search** D14/135-136,
D14/156-157, 160-165, 167-168, 188,
193-198, 217; 369/75.1, 75.2, 77.1, 77.2;
455/344, 347-351

(56) **References Cited**

U.S. PATENT DOCUMENTS

D301,881 S * 6/1989 Yang D14/135
4,979,160 A * 12/1990 Araki 369/75.2

D320,789 S * 10/1991 Sogabe D14/156
D339,126 S * 9/1993 Shimose et al. D14/135
5,301,178 A * 4/1994 Okabe et al. 369/77.1
D394,655 S * 5/1998 Niitsu D14/156
D431,032 S * 9/2000 Sasago D14/167
D435,532 S * 12/2000 Hisatsune D14/156

* cited by examiner

Primary Examiner—Nanda Bondade

(74) *Attorney, Agent, or Firm*—Birch, Stewart, Kolasch & Birch, LLP

(57) **CLAIM**

The ornamental design for digital video disk player, as shown and described.

DESCRIPTION

FIG. 1 is perspective view of the digital video disk player; FIG. 2 is a front view thereof; FIG. 3 is a rear view thereof; FIG. 4 is a left side view thereof, the right side being a mirror image; FIG. 5 is a top plan view thereof; and, FIG. 6 is a bottom plan view thereof.

1 Claim, 4 Drawing Sheets

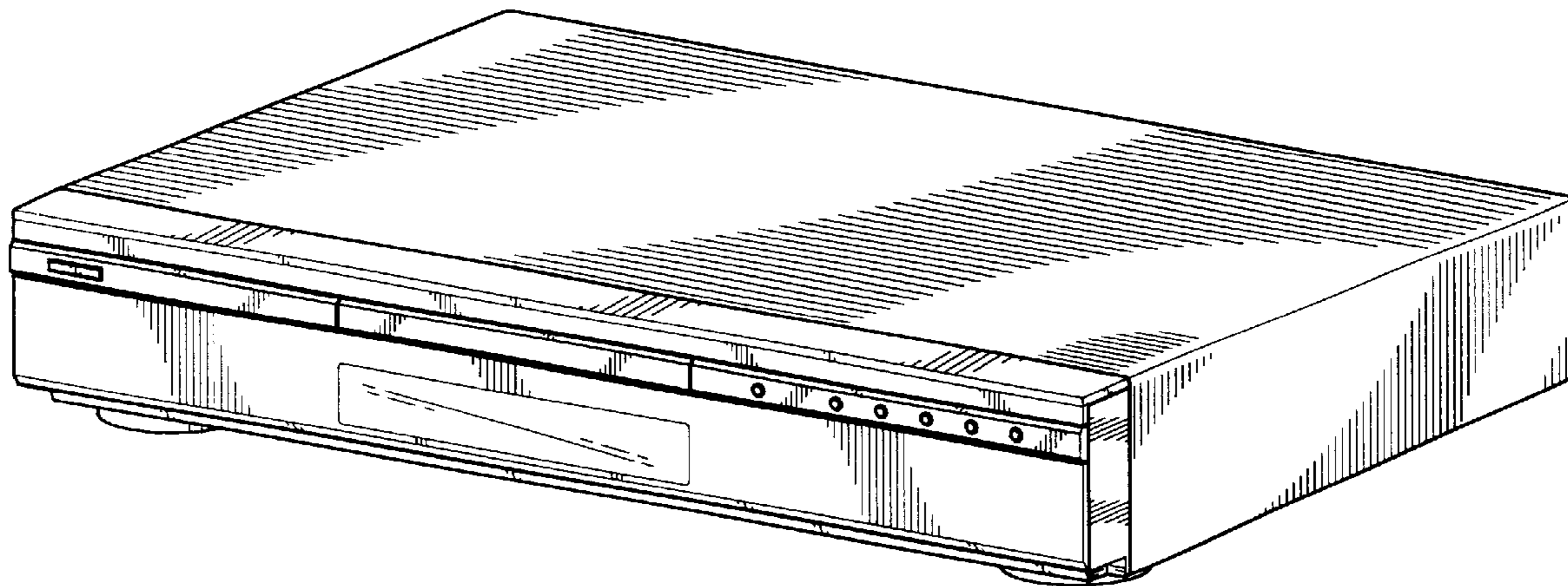


FIG. 1

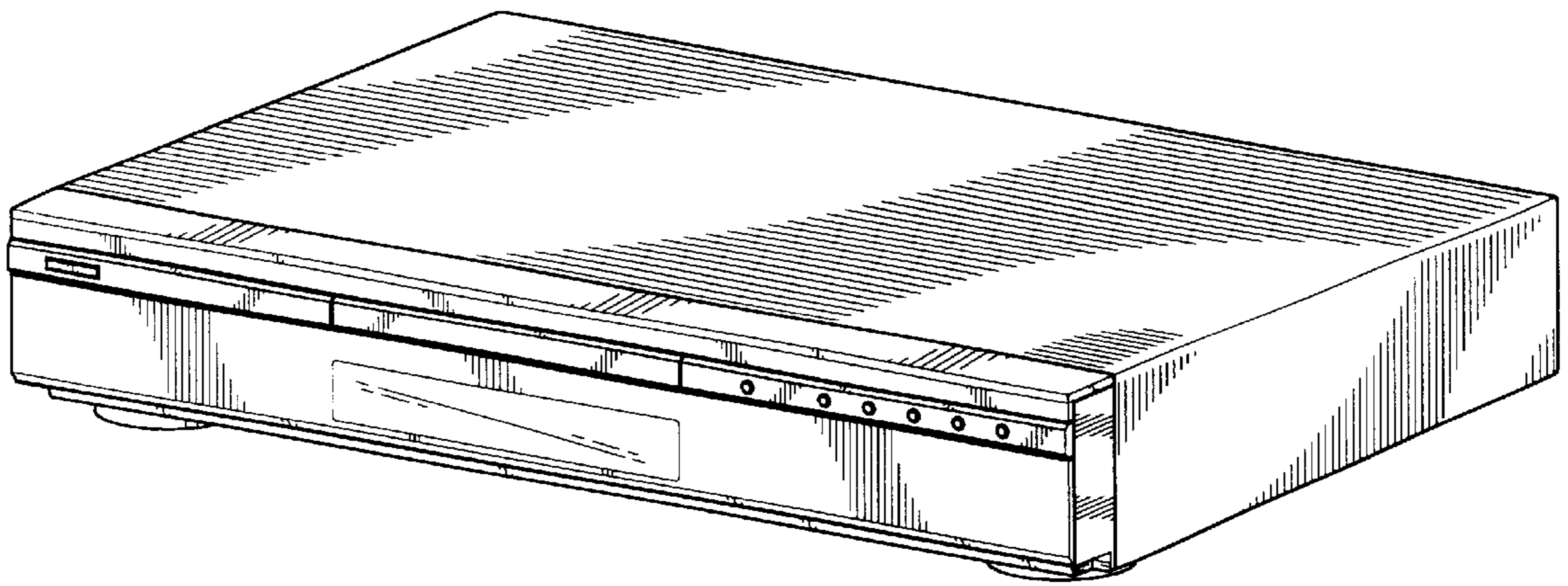


FIG. 2

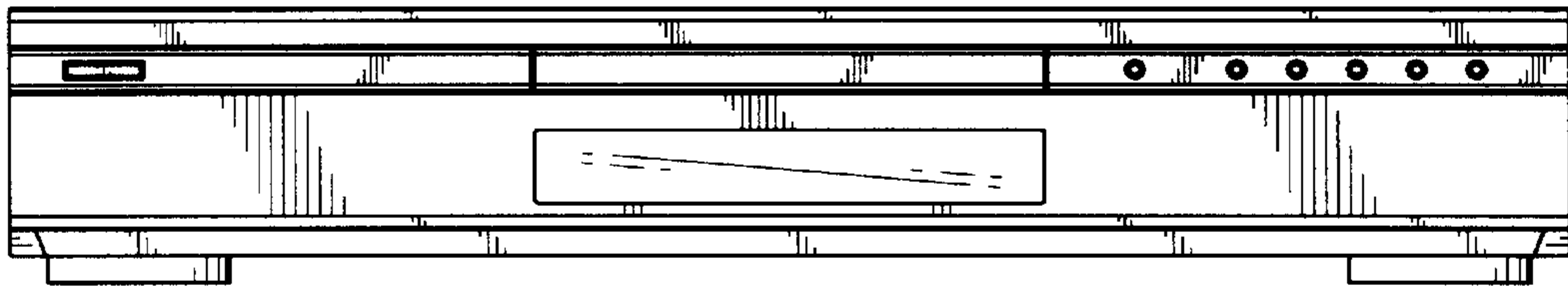


FIG. 3

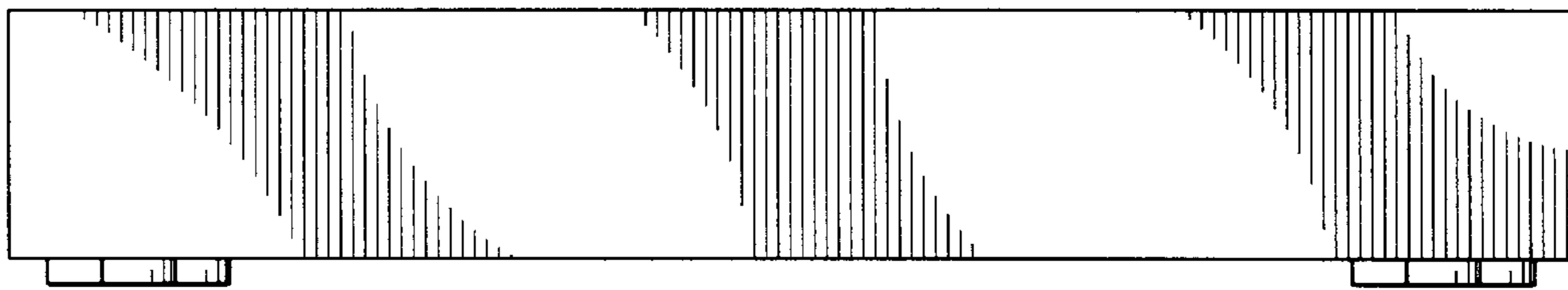


FIG. 4

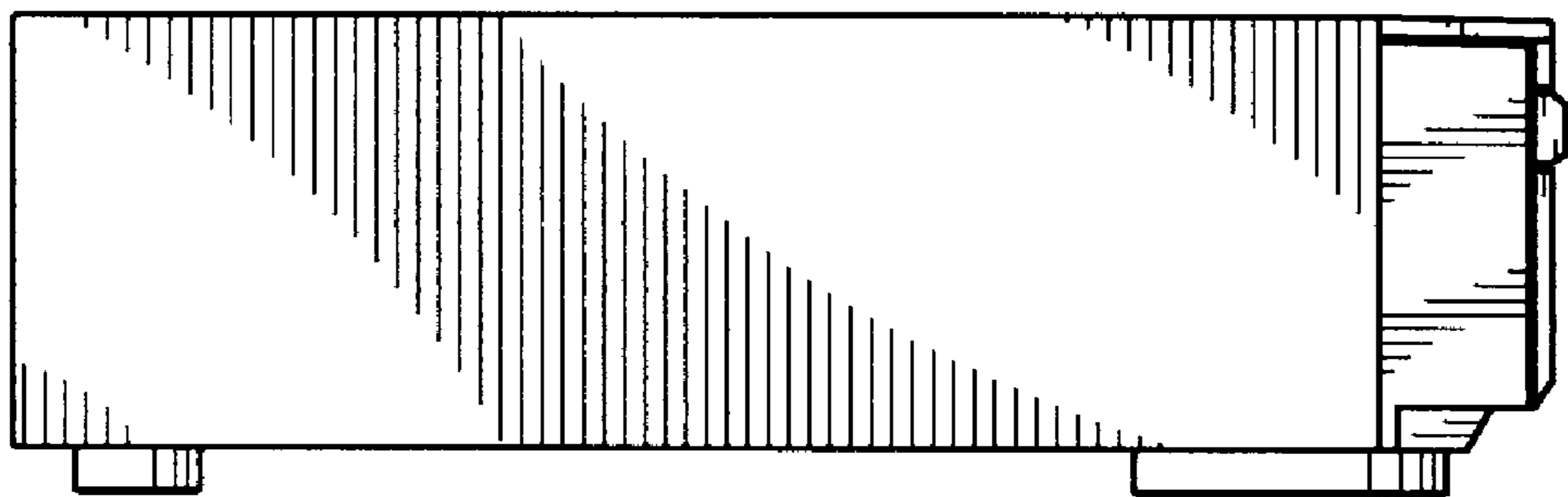


FIG. 5

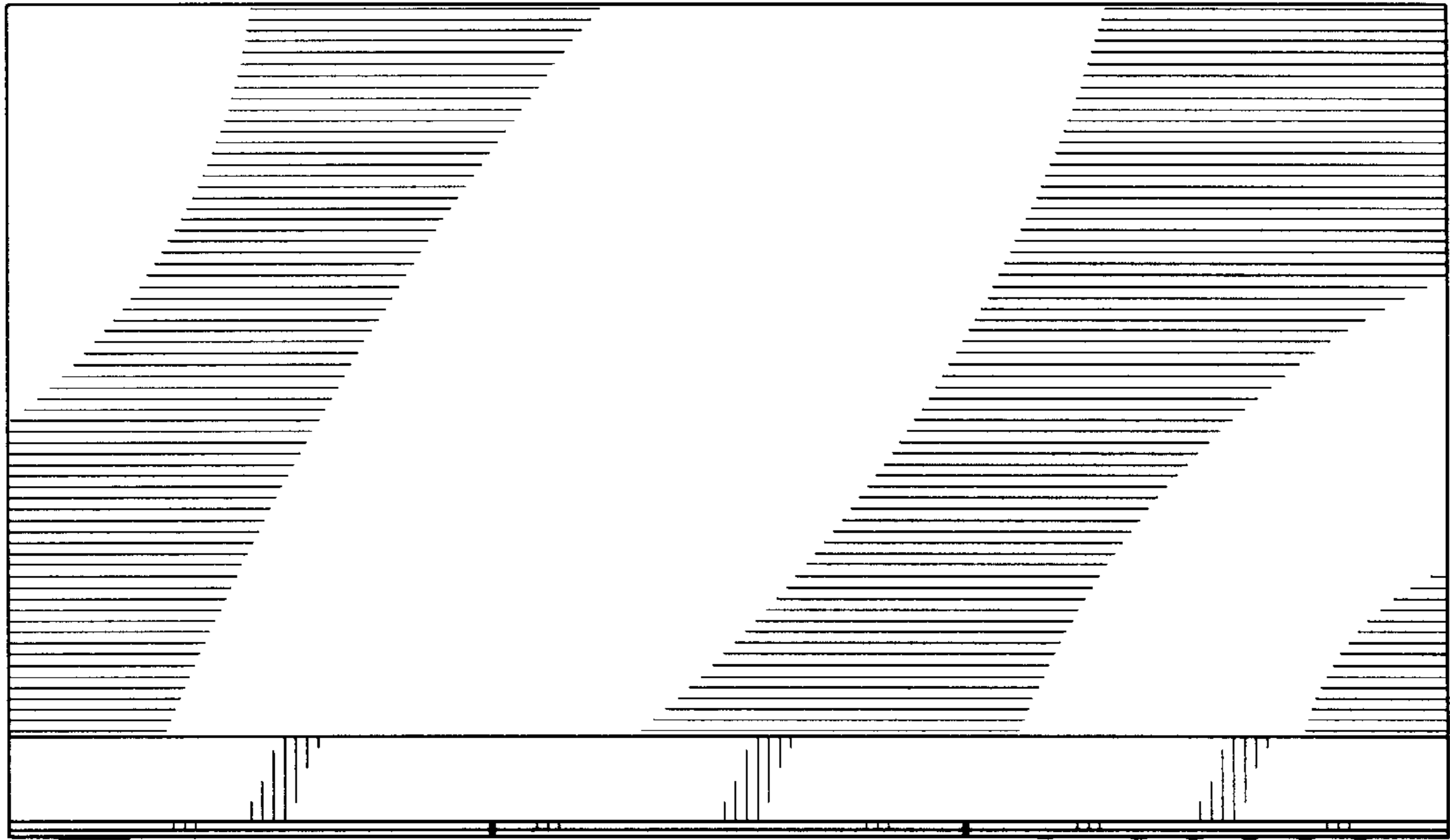


FIG. 6

