



US00D483727S

(12) **United States Design Patent**
Tseng et al.

(10) **Patent No.:** **US D483,727 S**

(45) **Date of Patent:** **** Dec. 16, 2003**

(54) **REAR PROJECTION TELEVISION**

(75) Inventors: **Yung-Chuan Tseng**, Hsin-Chu (TW);
Yi-Chen Yuan, Hsin-Chu (TW);
Chich-Chung Kang, Hsin-Chu (TW);
Chun-Yao Chen, Hsin-Chu (TW)

(73) Assignee: **Coretronic Corporation**, Hsin-Chu (TW)

(**) Term: **14 Years**

(21) Appl. No.: **29/178,638**

(22) Filed: **Mar. 31, 2003**

(30) **Foreign Application Priority Data**

Dec. 5, 2002 (TW) 91307201

(51) **LOC (7) Cl.** **14-03**

(52) **U.S. Cl.** **D14/128**

(58) **Field of Search** D14/125-136,
D14/239, 371, 374-382; 312/7.2; 348/836,
838, 180, 184, 325, 739, 787, 789; 353/47,
74

(56) **References Cited**

U.S. PATENT DOCUMENTS

D368,087 S * 3/1996 Gioscia D14/128

D414,177 S * 9/1999 Tsuge et al. D14/133
D419,549 S * 1/2000 Tsuge D14/128
D431,232 S * 9/2000 Yokoyama et al. D14/133
D434,015 S * 11/2000 Oe et al. D14/128

* cited by examiner

Primary Examiner—Raphael Barkai
(74) *Attorney, Agent, or Firm*—Winston Hsu

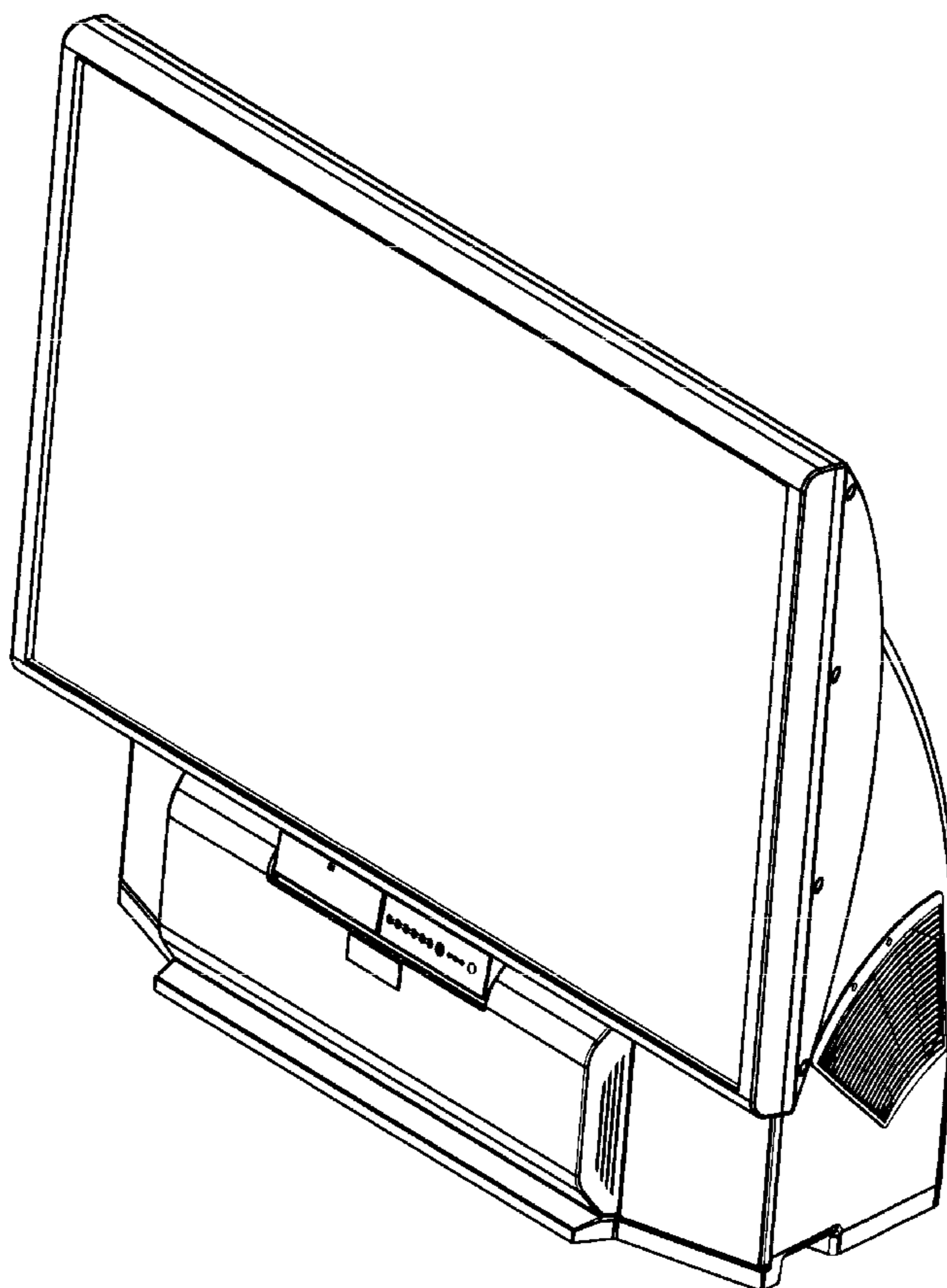
(57) **CLAIM**

The ornamental design for a rear projection television, as shown and described.

DESCRIPTION

FIG. 1 is a perspective view of a rear projection television;
FIG. 2 is a right side view thereof;
FIG. 3 is a top plan view thereof;
FIG. 4 is a front view thereof;
FIG. 5 is a bottom view thereof;
FIG. 6 is a left side view thereof; and,
FIG. 7 is a rear view thereof.

1 Claim, 7 Drawing Sheets



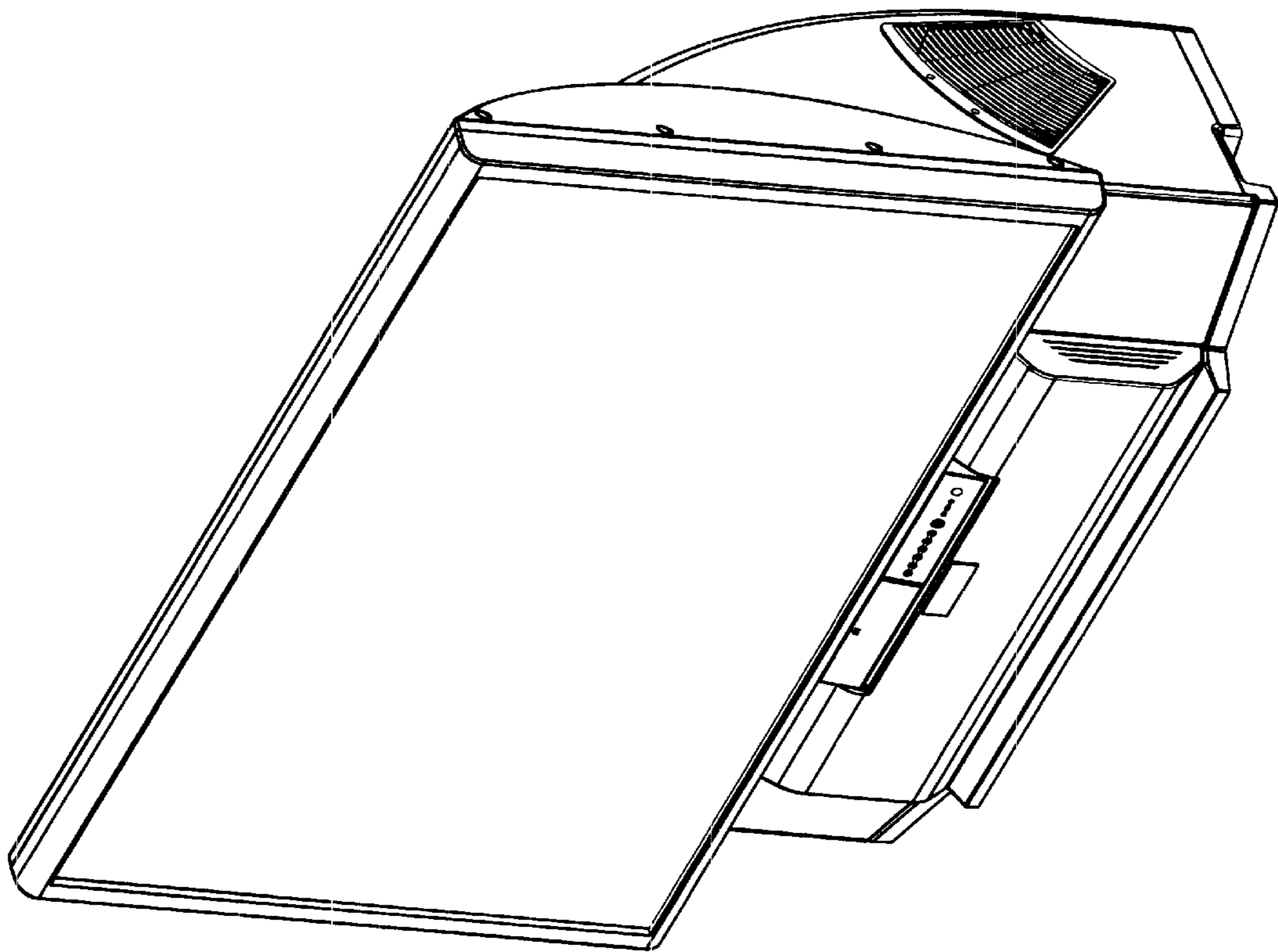


FIG. 1

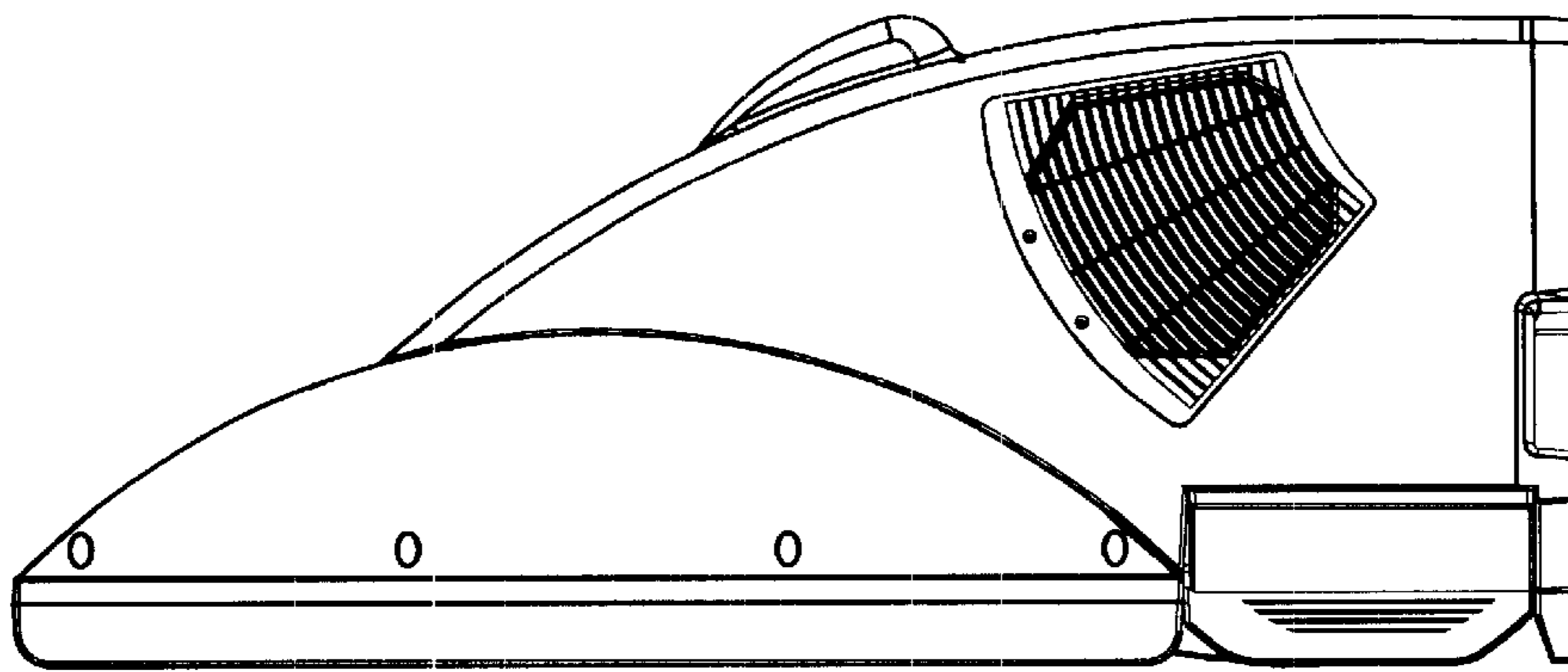


FIG. 2

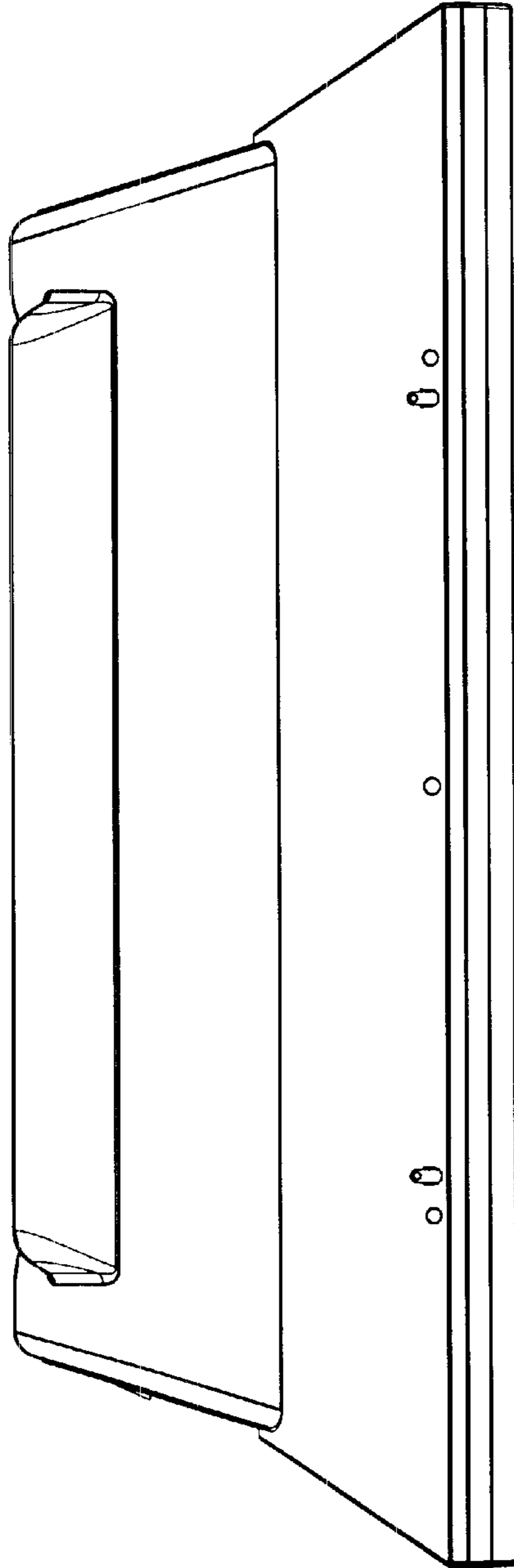


FIG. 3

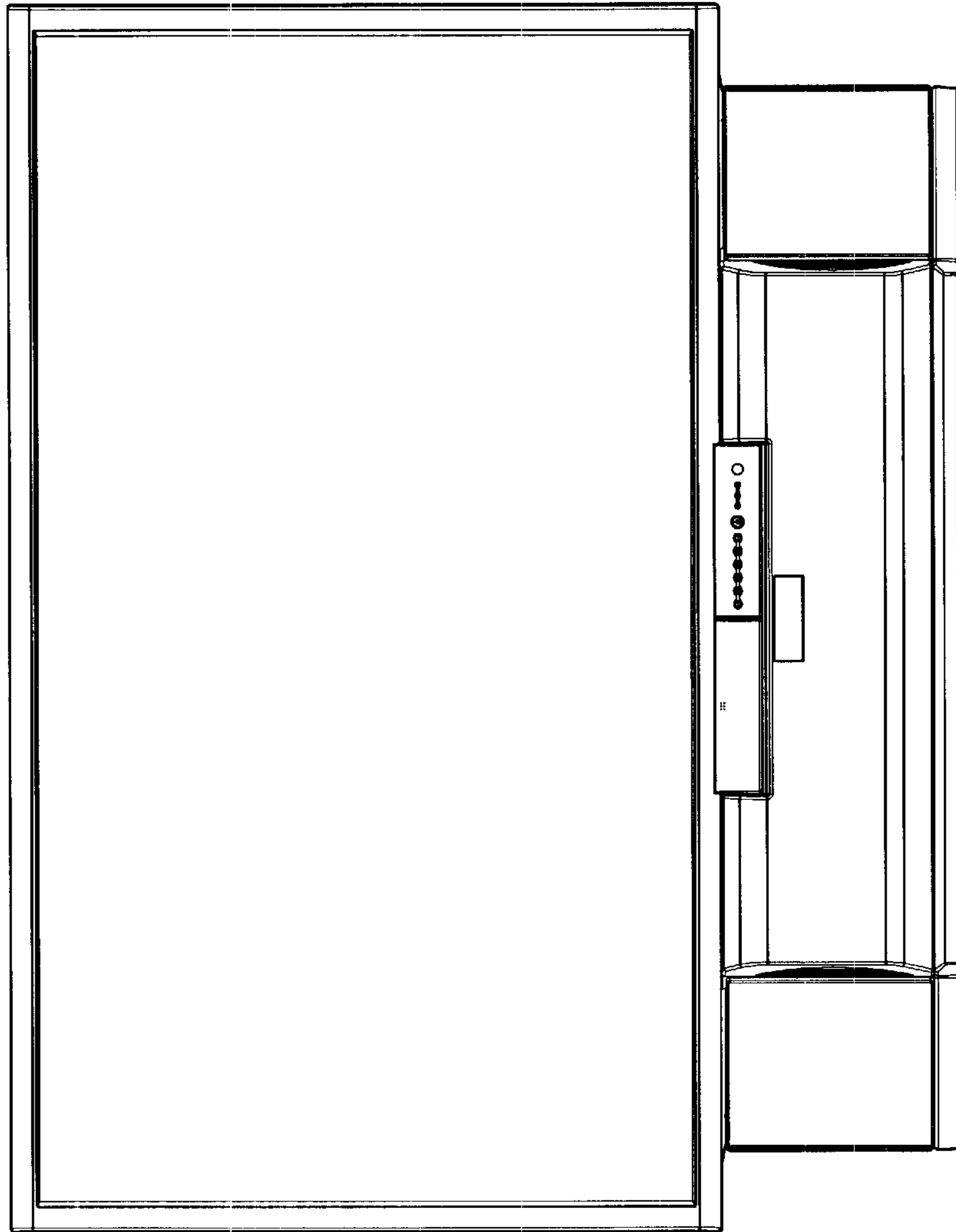


FIG. 4

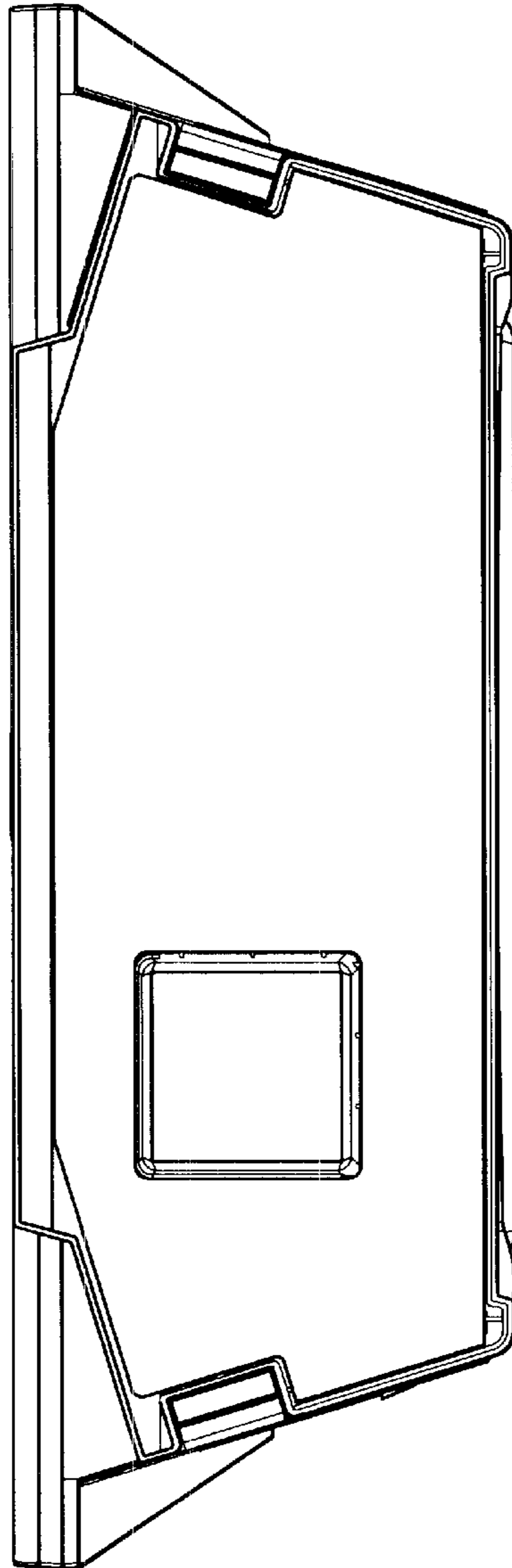


FIG. 5

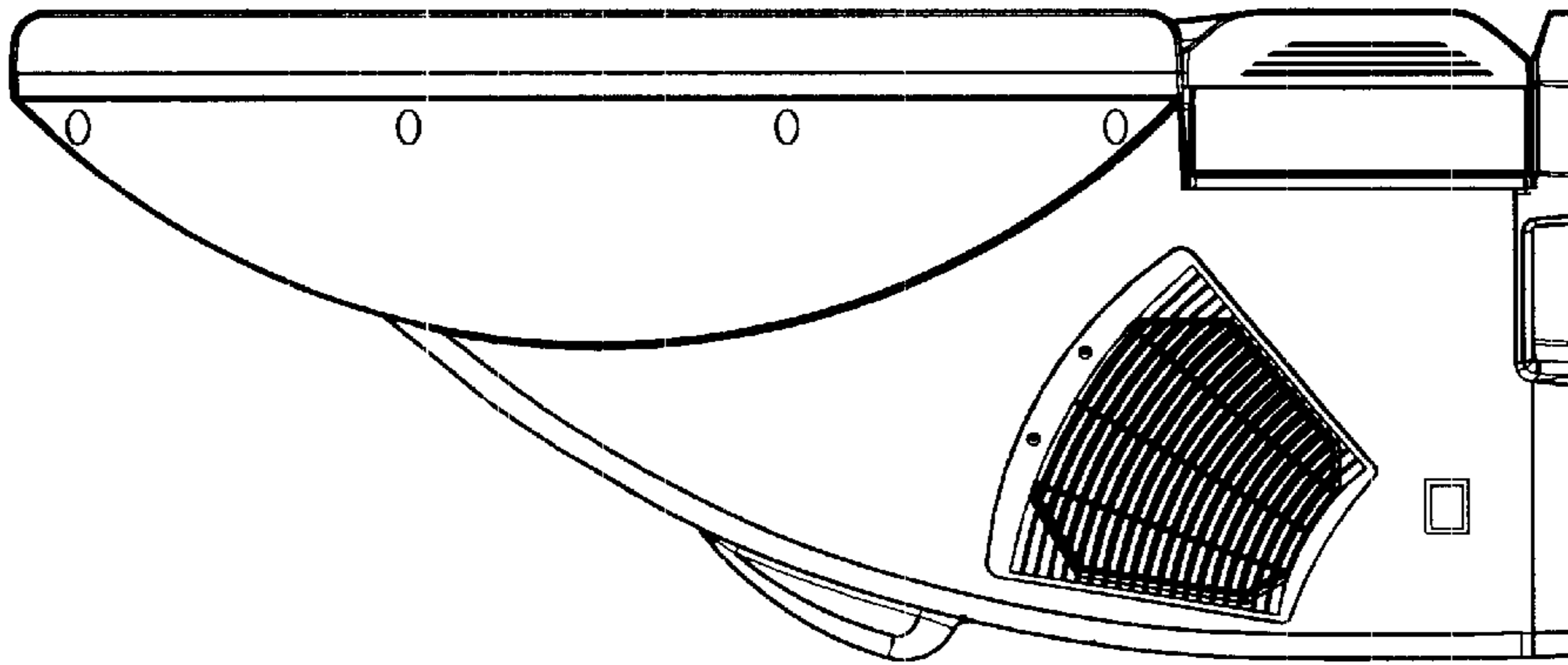


FIG. 6

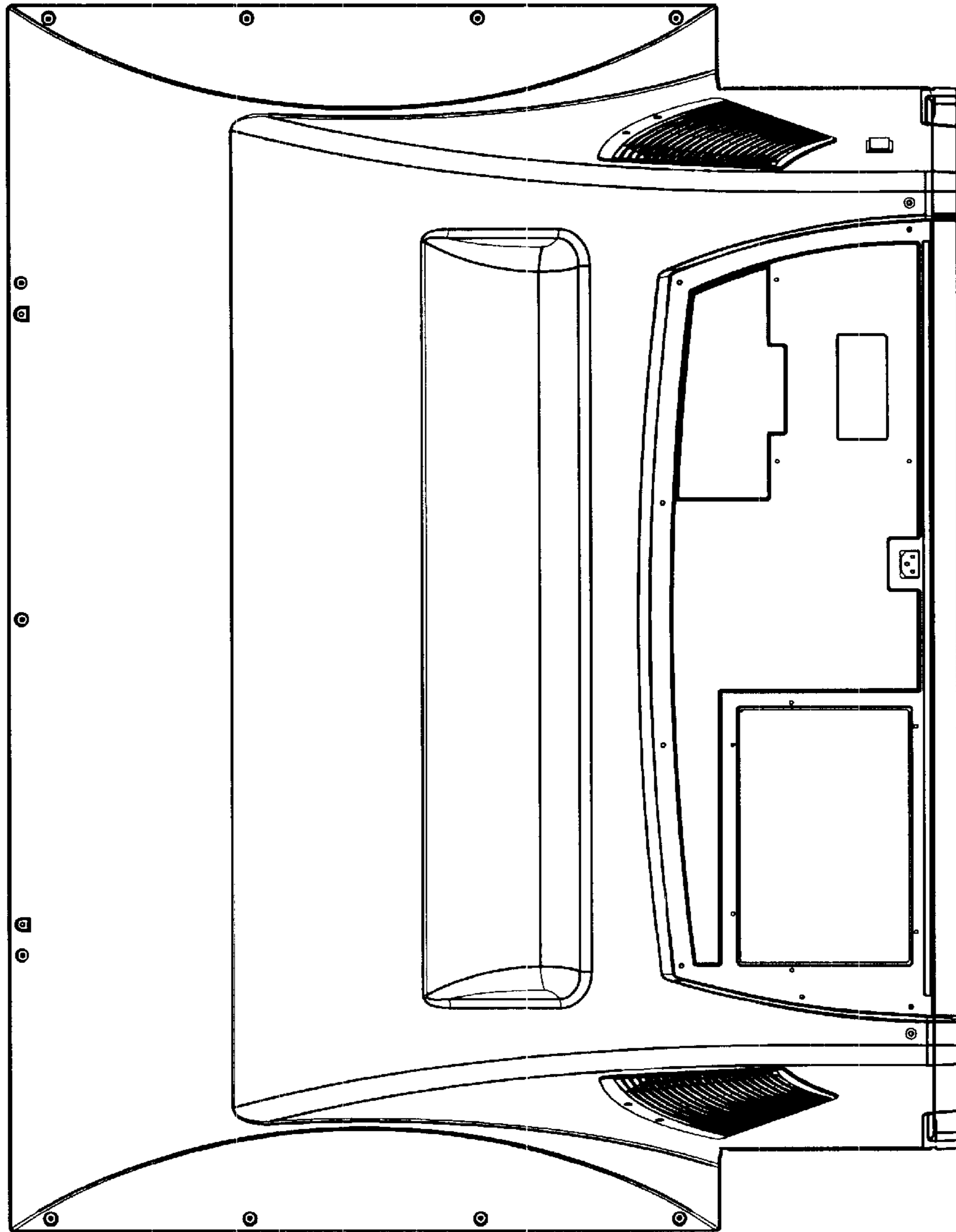


FIG. 7