



US00D483726S

(12) **United States Design Patent**
Teng et al.

(10) **Patent No.:** **US D483,726 S**

(45) **Date of Patent:** **** Dec. 16, 2003**

(54) **PLASMA TELEVISION**

(75) Inventors: **Chau-Farn Teng**, Tao Yuan Hsien
(TW); **Po-Ching Huang**, Tao Yuan
Hsien (TW)

(73) Assignee: **Sampo Corporation**, Tao Yuan Hsien
(TW)

(**) Term: **14 Years**

(21) Appl. No.: **29/173,640**

(22) Filed: **Jan. 3, 2003**

(51) **LOC (7) Cl.** **14-03**

(52) **U.S. Cl.** **D14/126; D14/129**

(58) **Field of Search** D14/125-134,
D14/239, 371, 374-382; 312/7.2; 348/836,
838, 180, 184, 325, 739; 345/104, 133,
156, 168, 87, 173

(56) **References Cited**

U.S. PATENT DOCUMENTS

D185,049 S * 4/1959 Sundberg D14/126
D308,378 S * 6/1990 Shinoda et al. D14/133
D413,594 S * 9/1999 Renk D14/126

D416,549 S * 11/1999 Coster et al. D14/375

D434,738 S * 12/2000 Takemasa D14/133

D456,370 S * 4/2002 Kita D14/126

D457,507 S * 5/2002 Lim et al. D14/133

D458,236 S * 6/2002 Bong et al. D14/126

* cited by examiner

Primary Examiner—Raphael Barkai

(74) *Attorney, Agent, or Firm*—Browdy and Neimark,
P.L.L.C.

(57) **CLAIM**

The ornamental design for a “plasma television”, as shown
and described.

DESCRIPTION

FIG. 1 is a perspective view of a “plasma television”
showing us new design;

FIG. 2 is a front view thereof;

FIG. 3 is a rear view thereof;

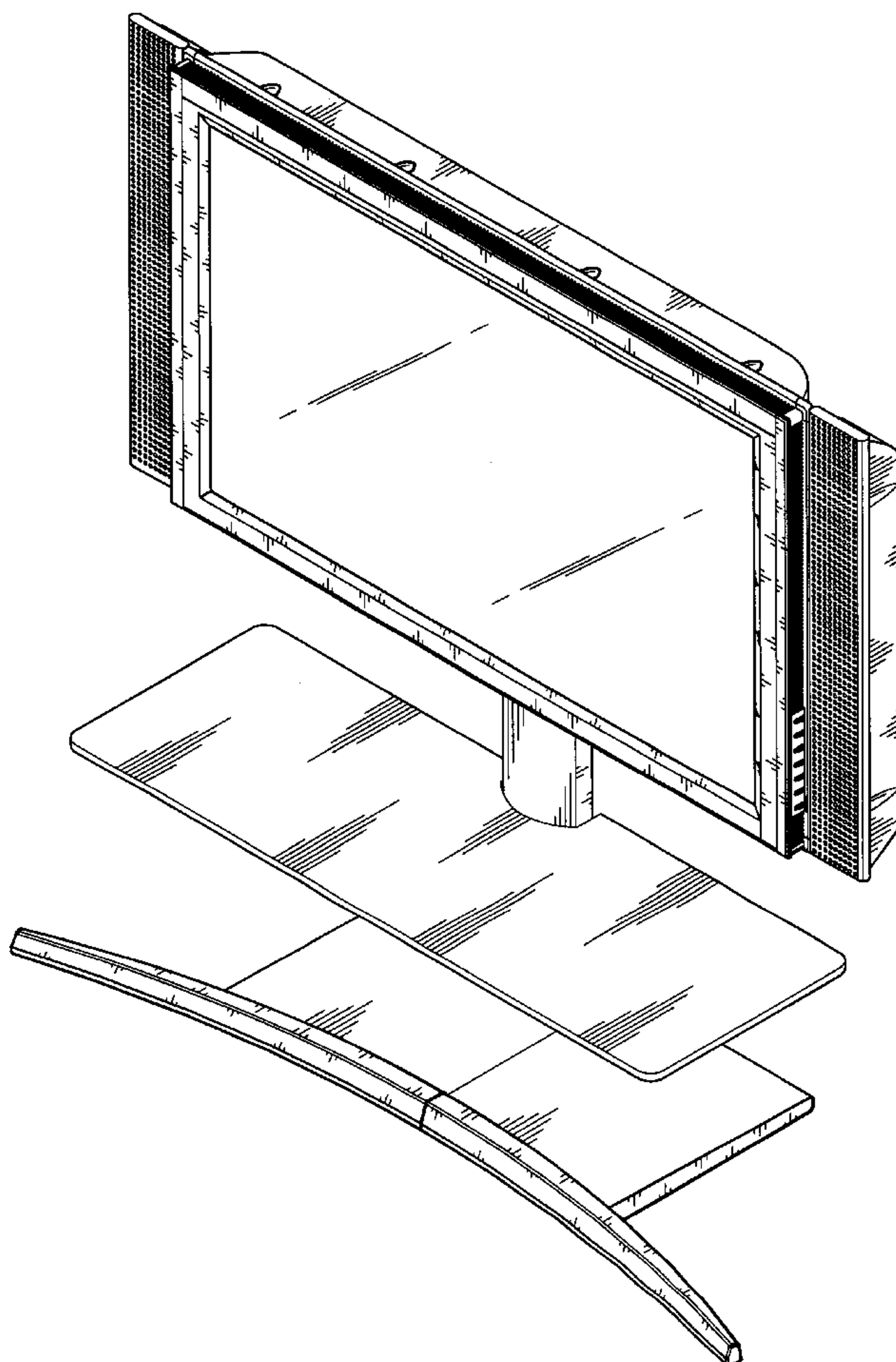
FIG. 4 is a left side view thereof;

FIG. 5 is a right side view thereof;

FIG. 6 is a top view thereof; and,

FIG. 7 is a bottom view thereof.

1 Claim, 5 Drawing Sheets



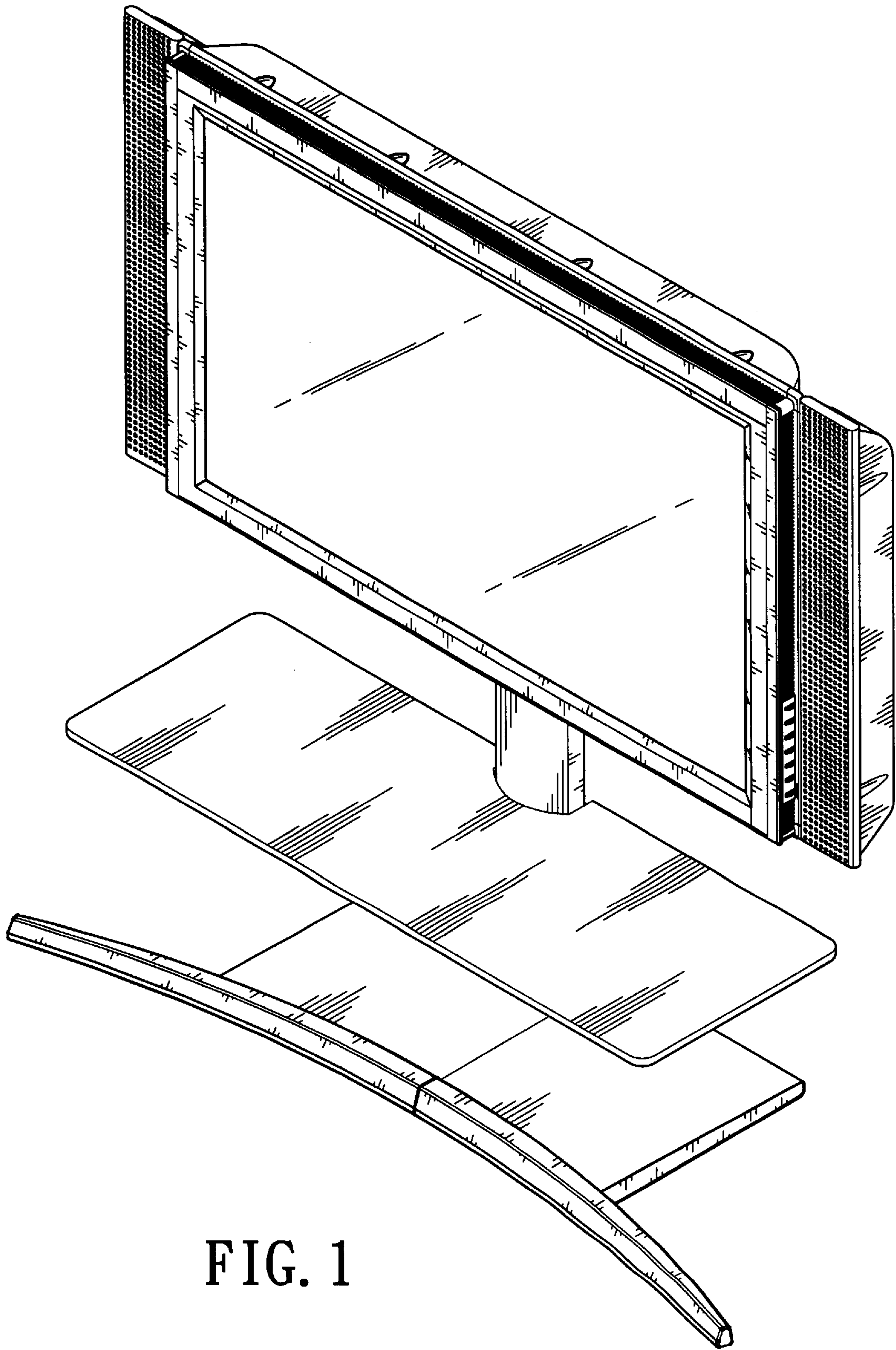


FIG. 1

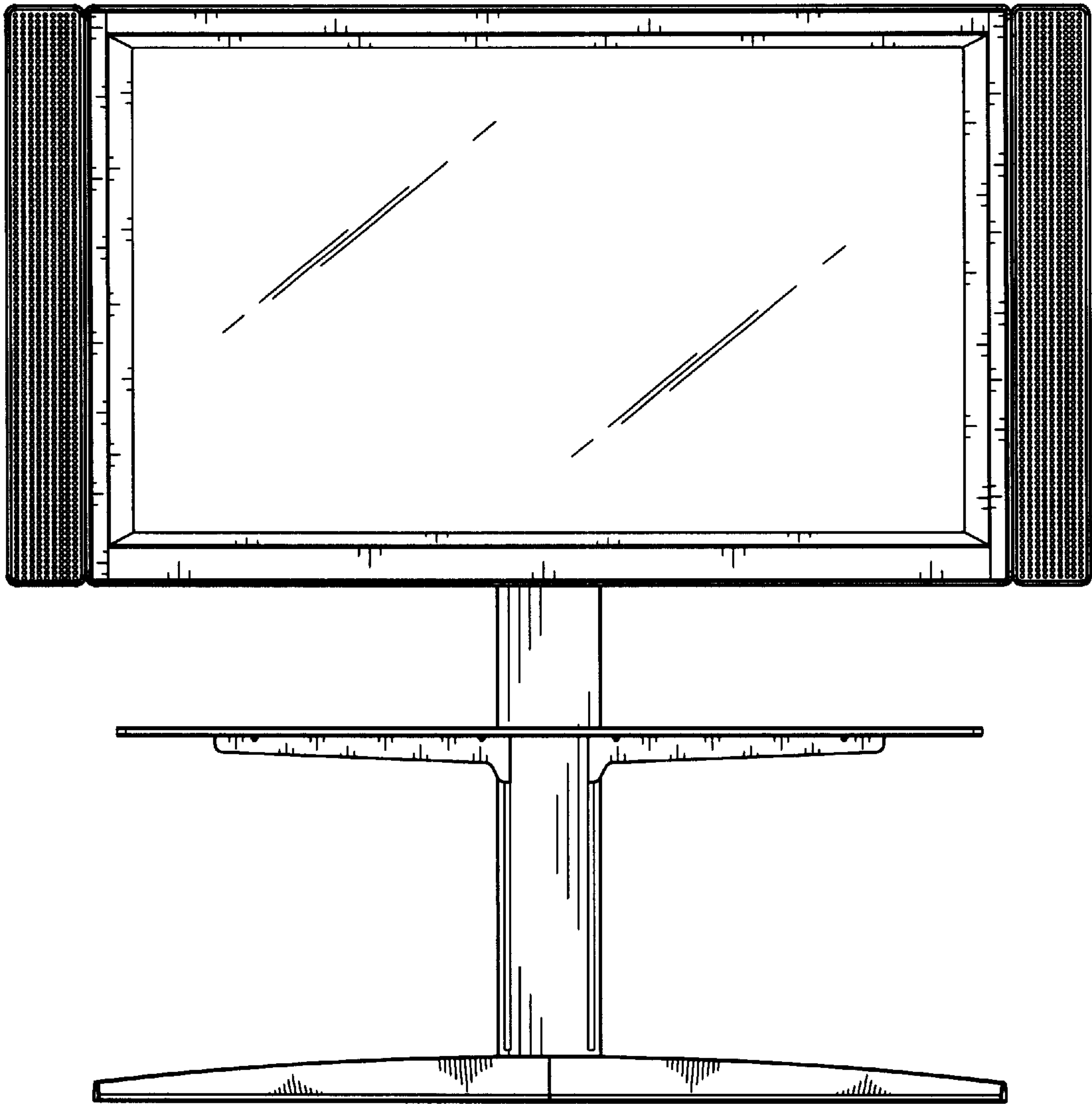


FIG. 2

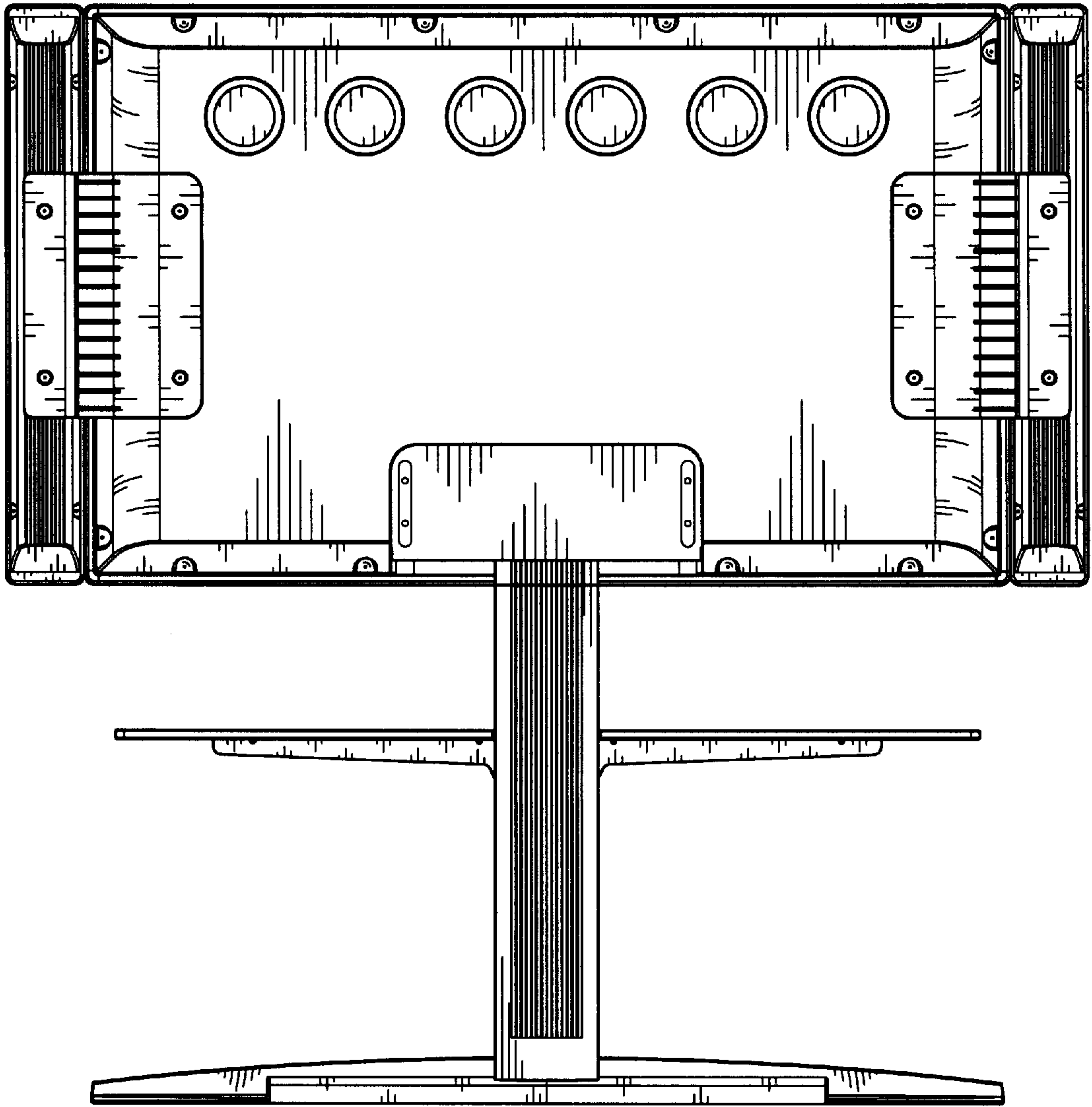


FIG. 3

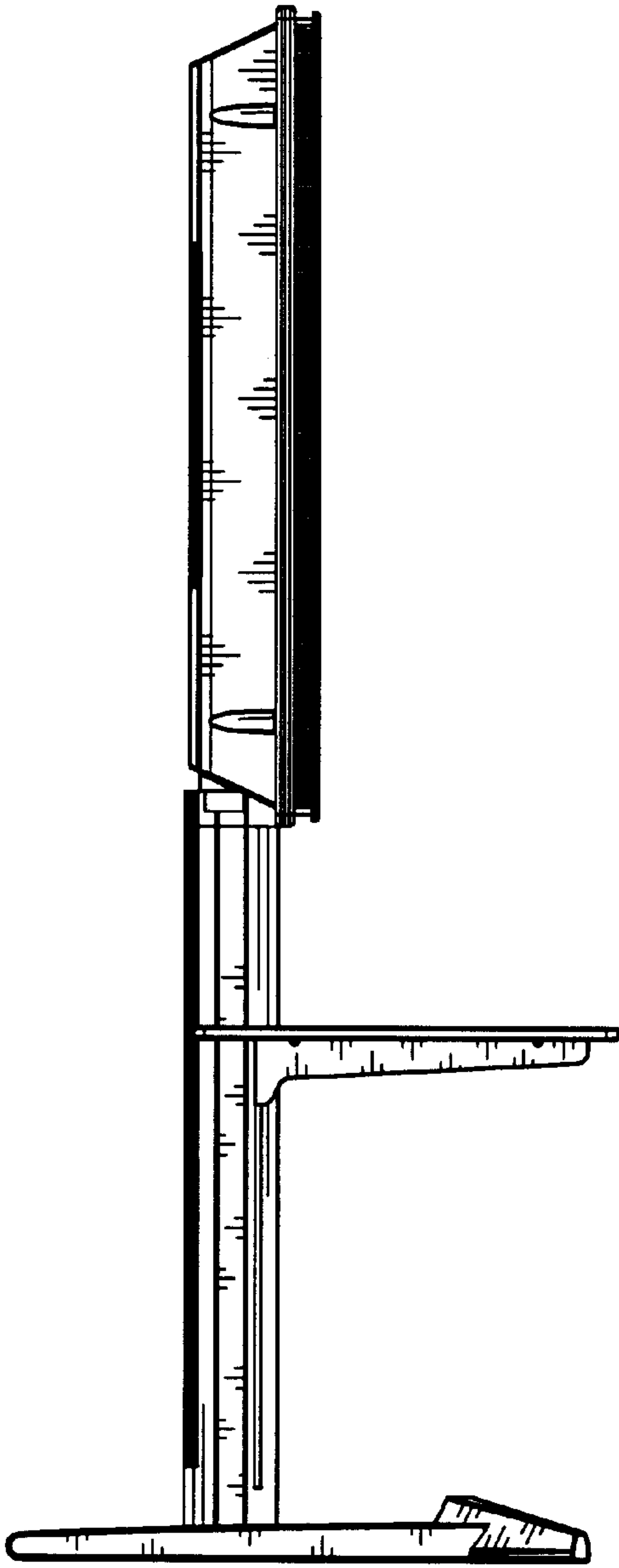


FIG. 4

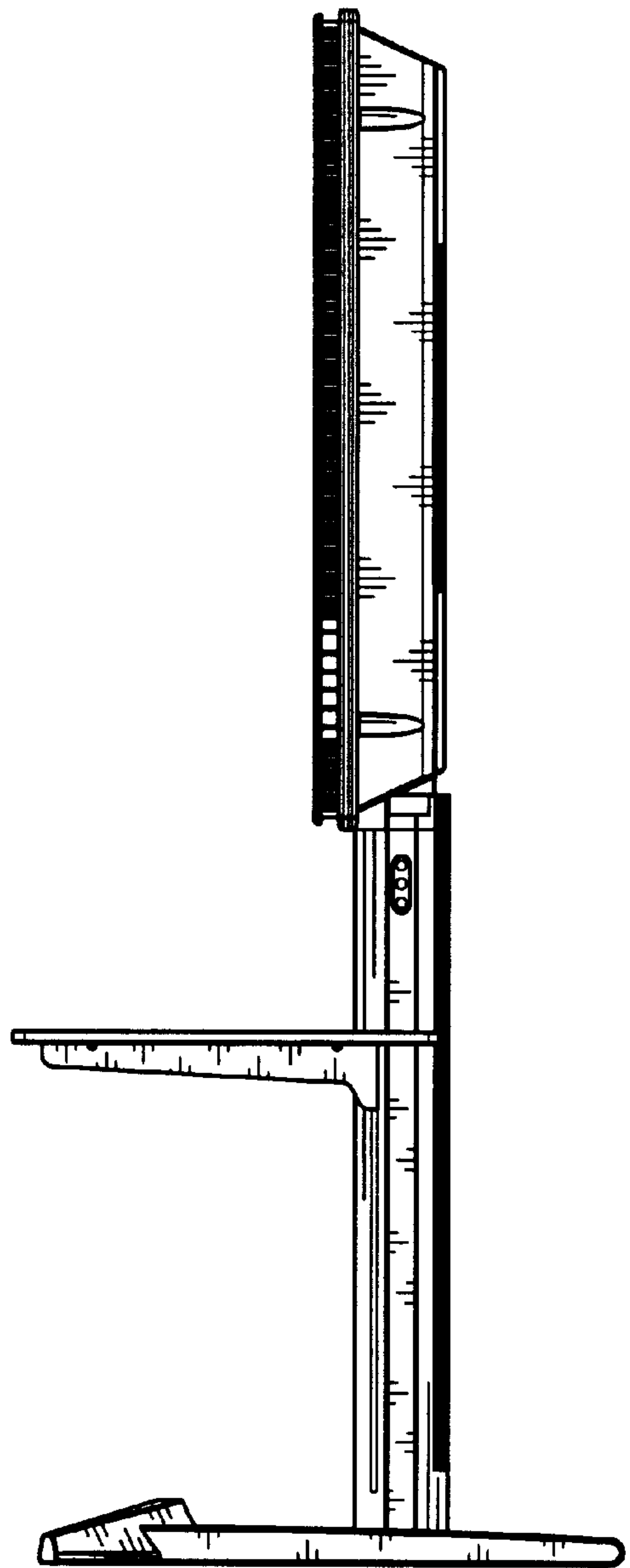


FIG. 5

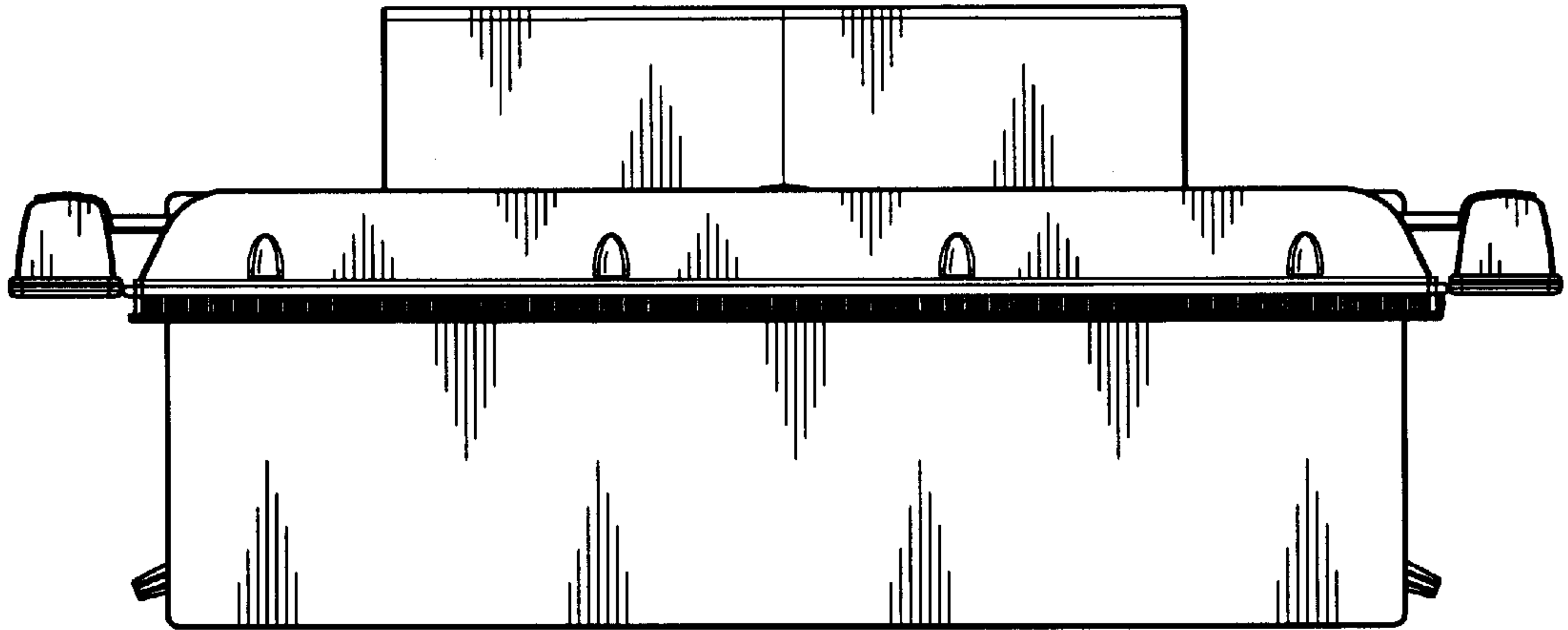


FIG. 6

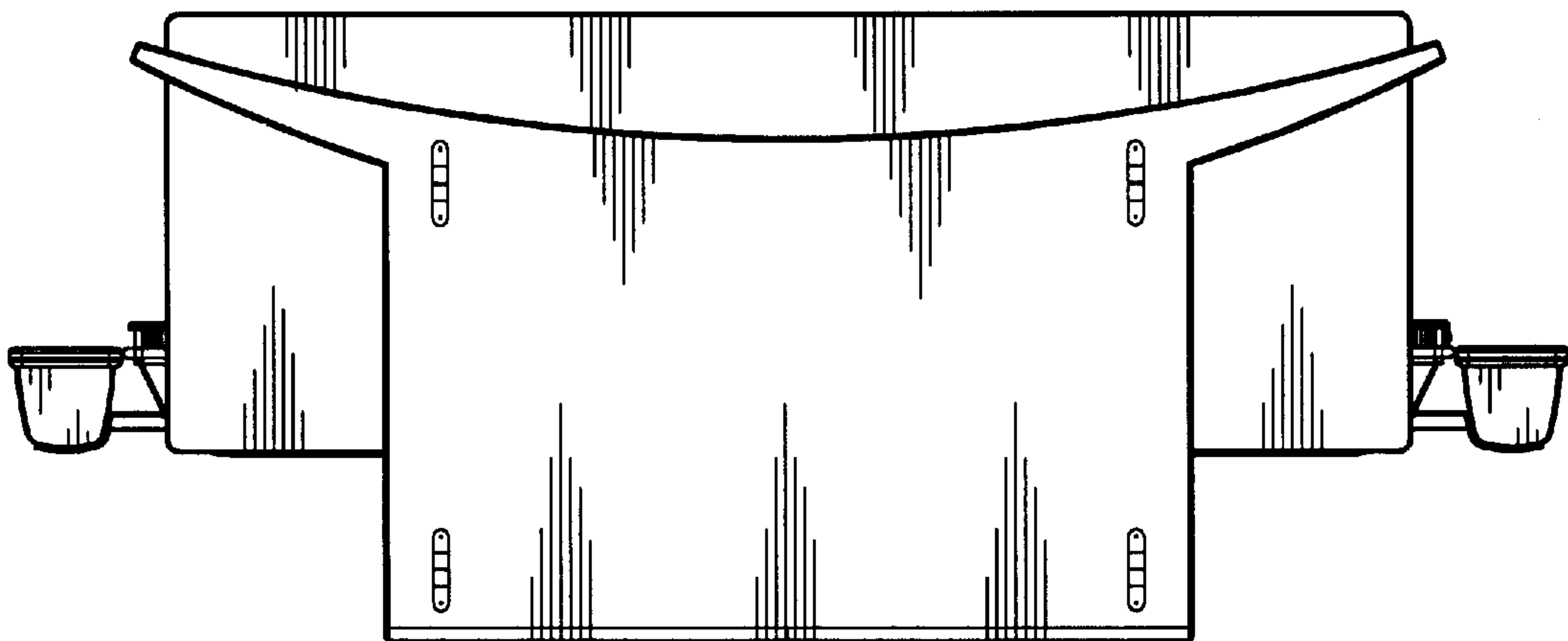


FIG. 7