



US00D483725S

(12) **United States Design Patent**
Thompson et al.

(10) **Patent No.:** **US D483,725 S**

(45) **Date of Patent:** **** Dec. 16, 2003**

(54) **MODULAR HOUSING FOR ELECTRONIC AND OPTICAL COMPONENTS**

(75) **Inventors:** **William Joseph Thompson**, Kempton, PA (US); **Rajesh Dighde**, Orefield, PA (US); **John Sargent French**, Palm, PA (US)

(73) **Assignee:** **Circadian Systems, Inc.**, Allentown, PA (US)

(**) **Term:** **14 Years**

(21) **Appl. No.:** **29/159,354**

(22) **Filed:** **Apr. 19, 2002**

(51) **LOC (7) Cl.** **13-03**

(52) **U.S. Cl.** **D13/184**

(58) **Field of Search** D13/158, 184;
D10/49, 50, 108; D14/242, 299; 174/50;
220/4.01; 361/600, 679, 724, 730, 796,
816; 379/419, 420, 428, 441, 442; 439/709,
717

(56) **References Cited**

U.S. PATENT DOCUMENTS

D259,708 S * 6/1981 Swinstead D10/80
5,179,501 A * 1/1993 Ocken et al. 361/709

D402,641 S * 12/1998 Heijnen D13/184
D405,766 S * 2/1999 Hartel et al. D13/184
D426,225 S * 6/2000 Davis D14/188
6,328,612 B1 * 12/2001 Chung 439/717

* cited by examiner

Primary Examiner—Philip S. Hyder

Assistant Examiner—Selina Sikder

(74) *Attorney, Agent, or Firm*—Volentine Francos, PLLC

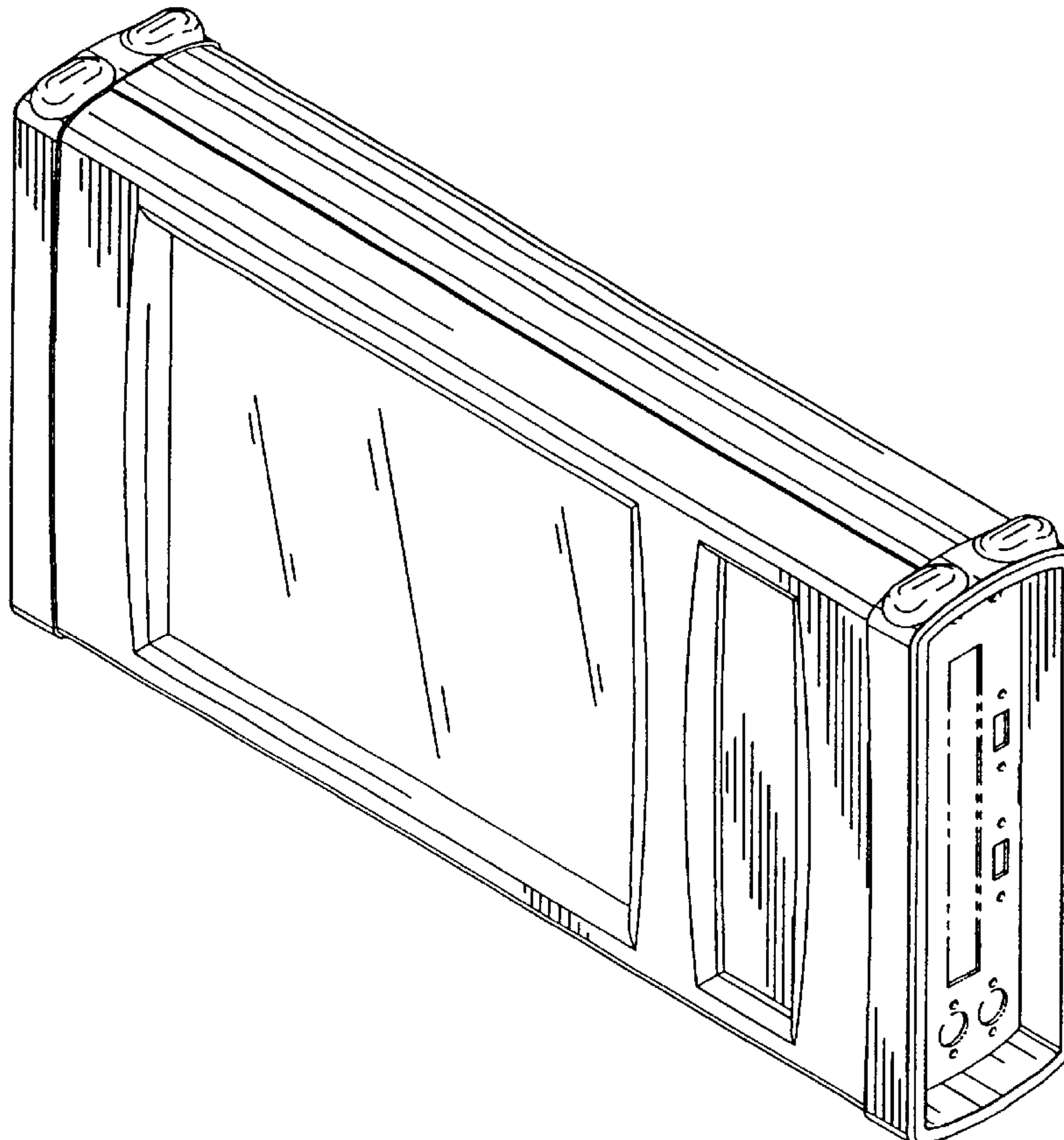
(57) **CLAIM**

The ornamental design for a modular housing for electronic and optical components, as shown and described.

DESCRIPTION

FIG. 1 is a perspective view of a modular housing for electronic and optical components in accordance with our design, the broken lines therein being used to designate environment only and not forming a part of the design; FIG. 2 is a front elevational view thereof; FIG. 3 is a rear elevational view thereof; FIG. 4 is a top plan view thereof, the bottom plan view being a mirror image thereof; FIG. 5 is a right side elevational view thereof, the broken lines therein being used to designate environment only and not forming a part of the design; and, FIG. 6 is a left side elevational view thereof.

1 Claim, 3 Drawing Sheets



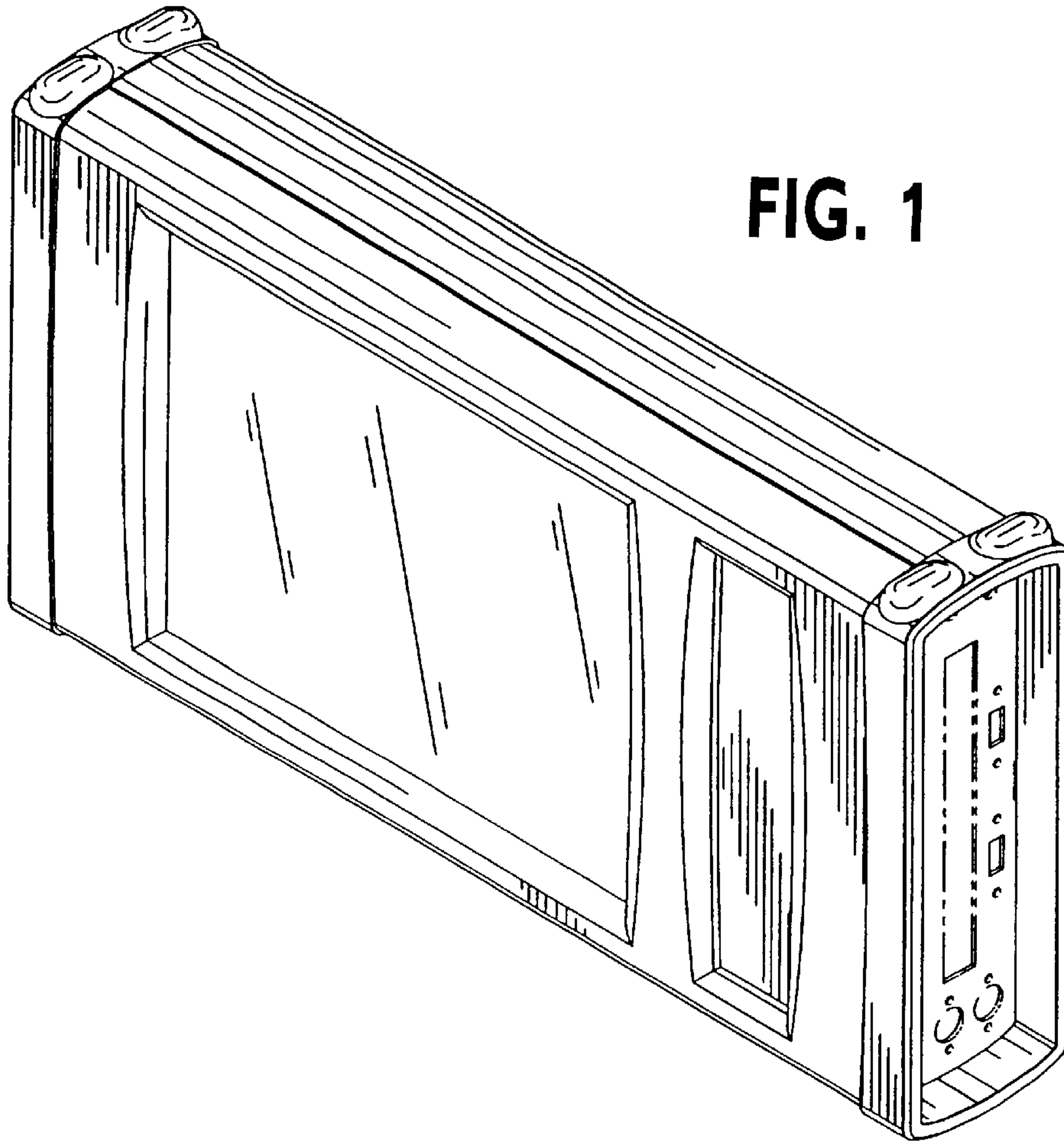


FIG. 1

FIG. 2

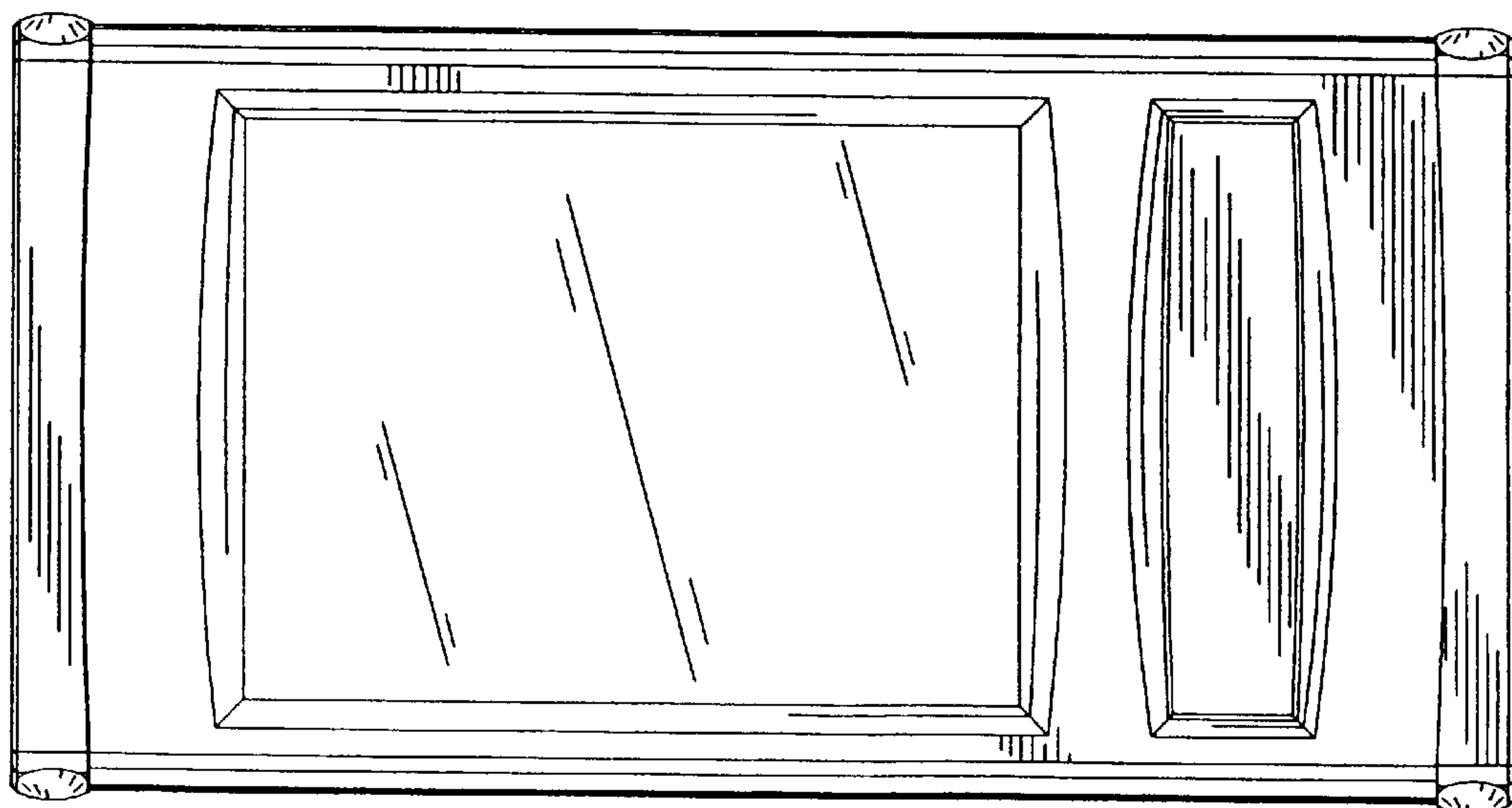


FIG. 3

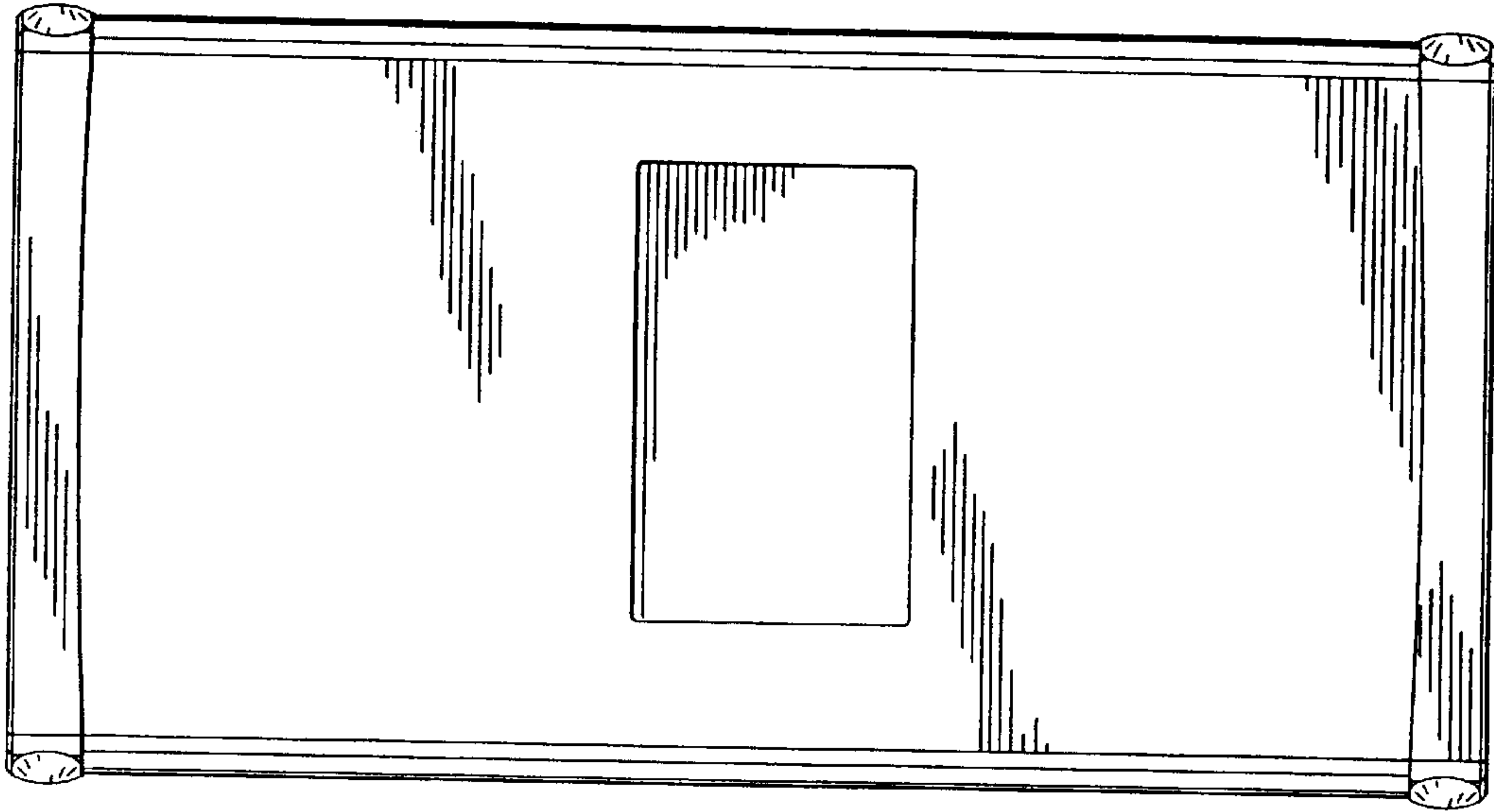


FIG. 4

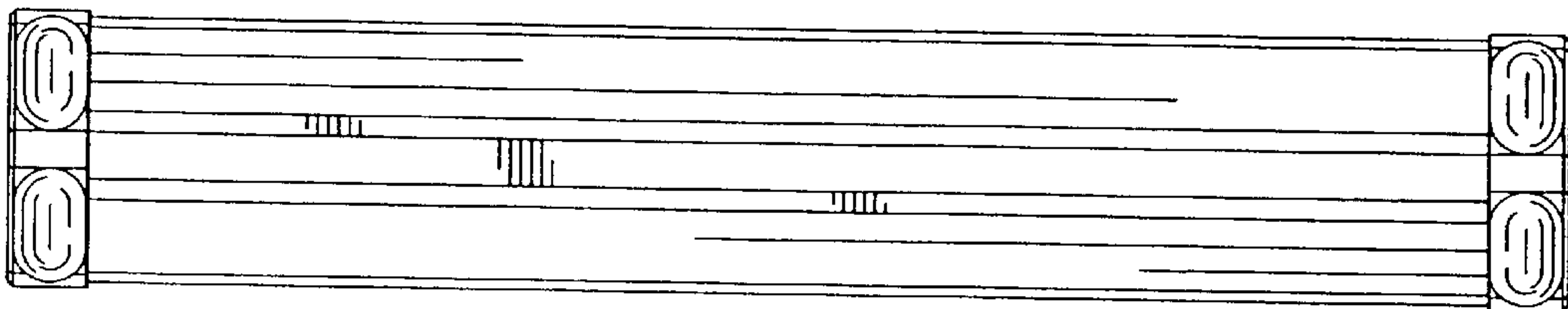


FIG. 5

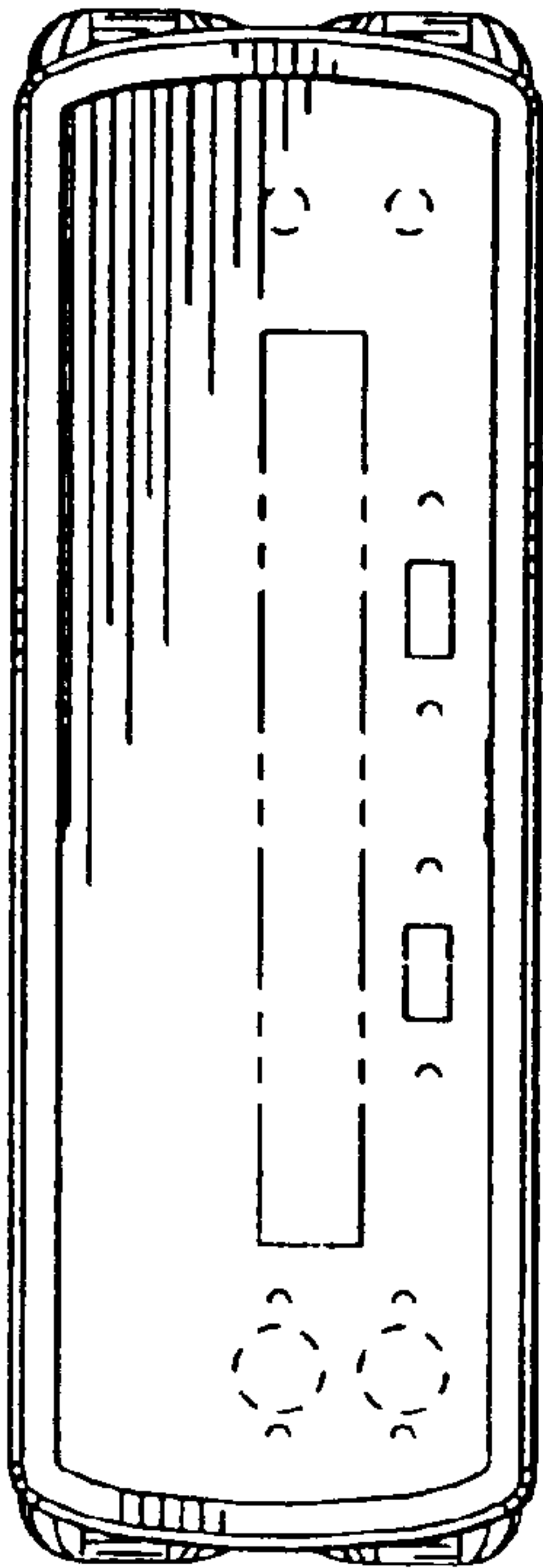


FIG. 6

