



US00D483724S

(12) **United States Design Patent**  
**Wu**

(10) **Patent No.:** **US D483,724 S**

(45) **Date of Patent:** **\*\* Dec. 16, 2003**

(54) **OUTLET PORTION OF AN ELECTRICAL POWER CORD**

6,596,940 B2 \* 7/2003 Wang ..... 174/67

\* cited by examiner

(75) Inventor: **Matthew Wu**, Taipei (TW)

*Primary Examiner*—Joel Sincavage

(73) Assignee: **Exito Electronics, Ltd.** (TW)

(74) *Attorney, Agent, or Firm*—Madson & Metcalf

(\*\*) Term: **14 Years**

(57) **CLAIM**

(21) Appl. No.: **29/177,460**

The ornamental design for the outlet portion of an electrical power cord, as shown and described.

(22) Filed: **Mar. 11, 2003**

**DESCRIPTION**

(51) **LOC (7) Cl.** ..... **13-03**

(52) **U.S. Cl.** ..... **D13/139.7**

(58) **Field of Search** ..... D13/139.7, 139.8,  
D13/139.6, 139.1; 439/620, 650, 651, 652,  
654

FIG. 1 is a perspective view for the outlet portion of an electrical power cord showing my new design, in which all three socket units are closed from being plugged in;

FIG. 2 is a perspective view for the outlet portion of an electrical power cord showing my new design, in which the rear socket unit is opened for being plugged in;

FIG. 3 is a right side view thereof, the left side view being a mirror image;

FIG. 4 is a top plan view thereof;

FIG. 5 is a rear view thereof;

FIG. 6 is a bottom plan view thereof; and,

FIG. 7 is a front view thereof.

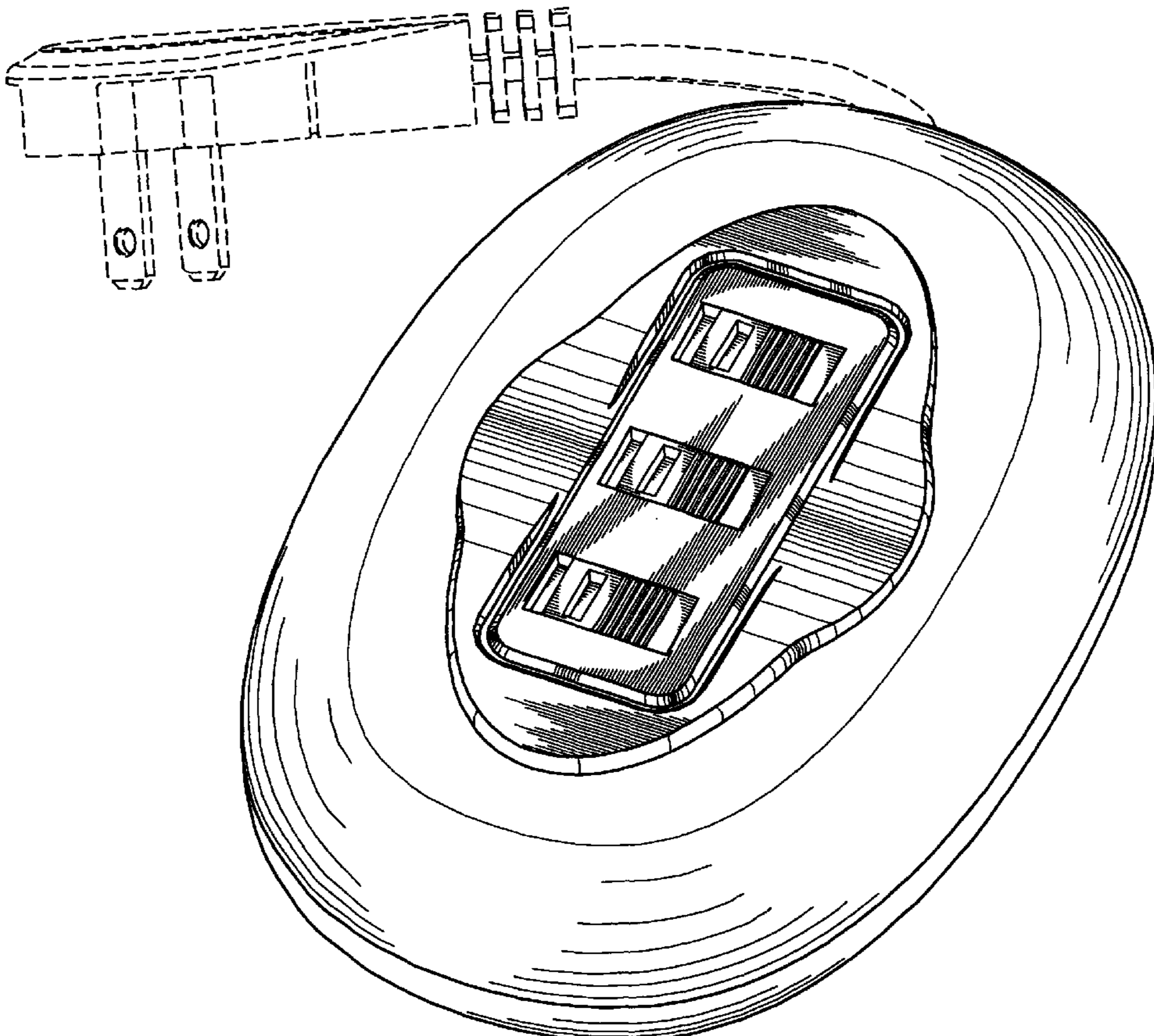
The broken lines in FIGS. 1 and 2 are included for the purpose of illustrating environmental structure only and form no part of the claimed design.

(56) **References Cited**

**U.S. PATENT DOCUMENTS**

D209,057 S	*	10/1967	Pulos et al.	.....	D13/139.1
D368,893 S	*	4/1996	Harwood et al.	.....	D13/139.8
D421,741 S	*	3/2000	Lien	.....	D13/139.8
D428,327 S	*	7/2000	Stekelenburg	.....	D8/359
D432,499 S	*	10/2000	Stekelenburg	.....	D13/139.6
D435,515 S	*	12/2000	Stekelenburg	.....	D13/139.6
D435,516 S	*	12/2000	Stekelenburg	.....	D13/139.8
D473,190 S	*	4/2003	Fan	.....	D13/139.8

**1 Claim, 7 Drawing Sheets**



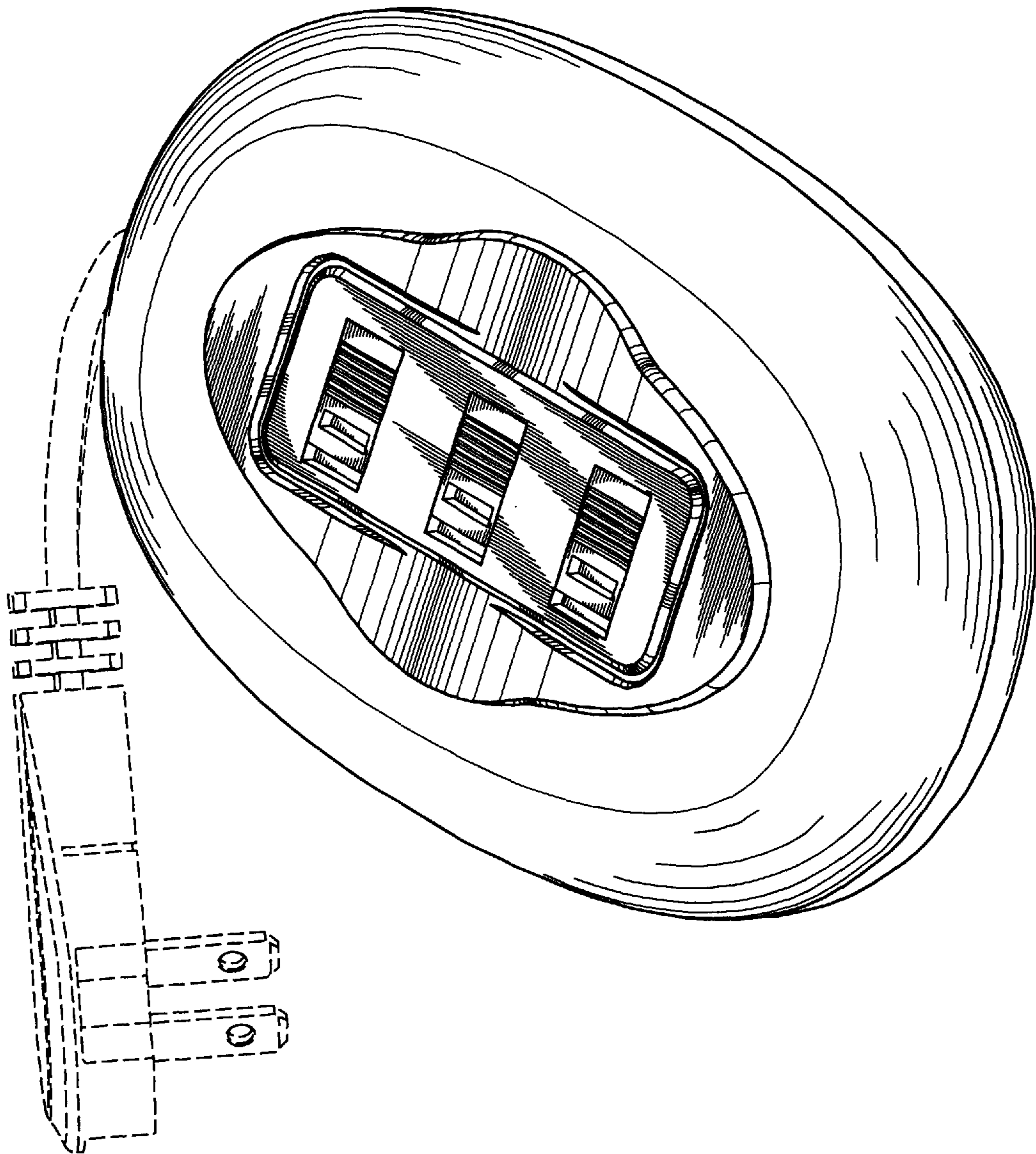


Fig.1

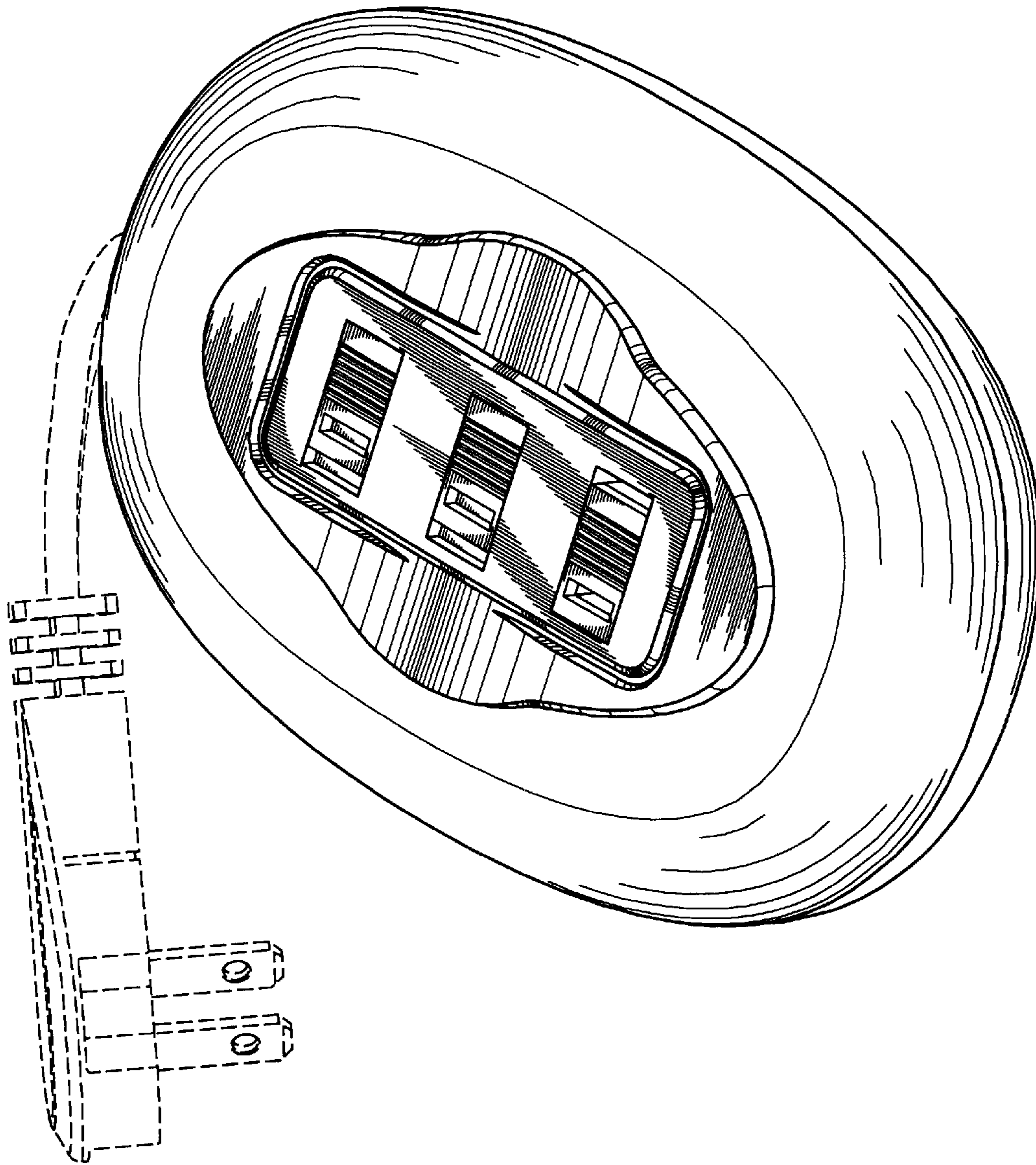


Fig.2

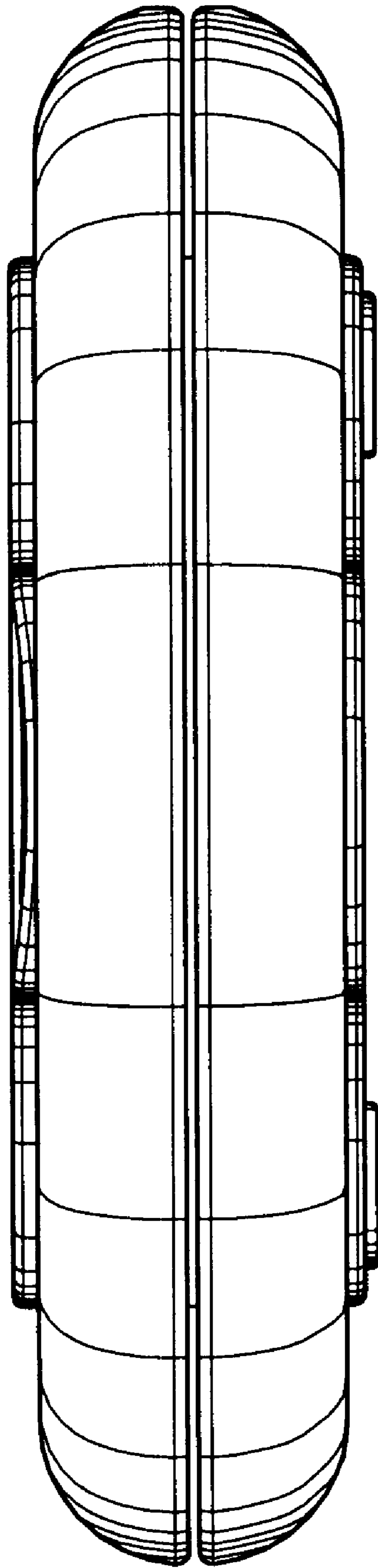


Fig. 3

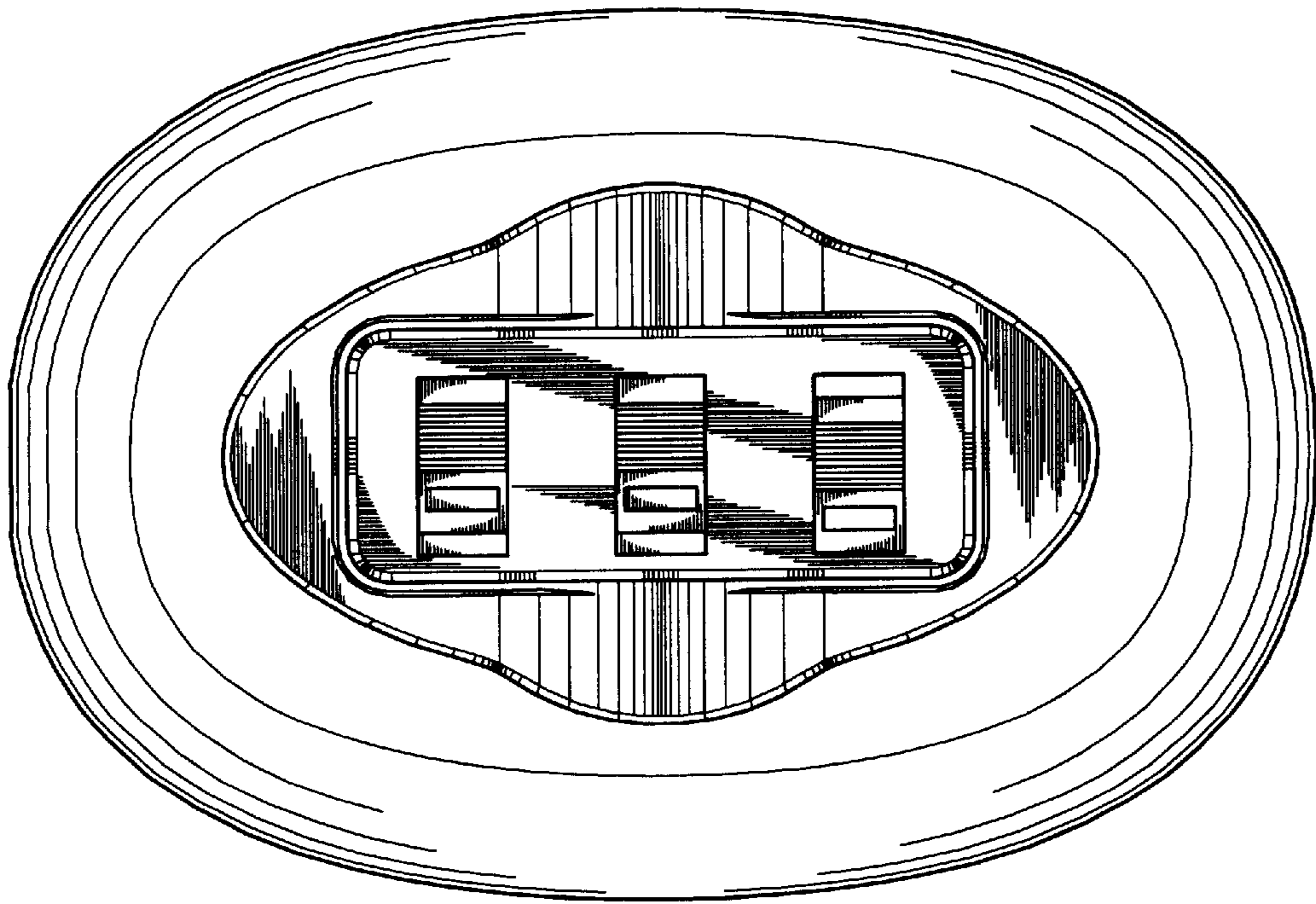


Fig.4

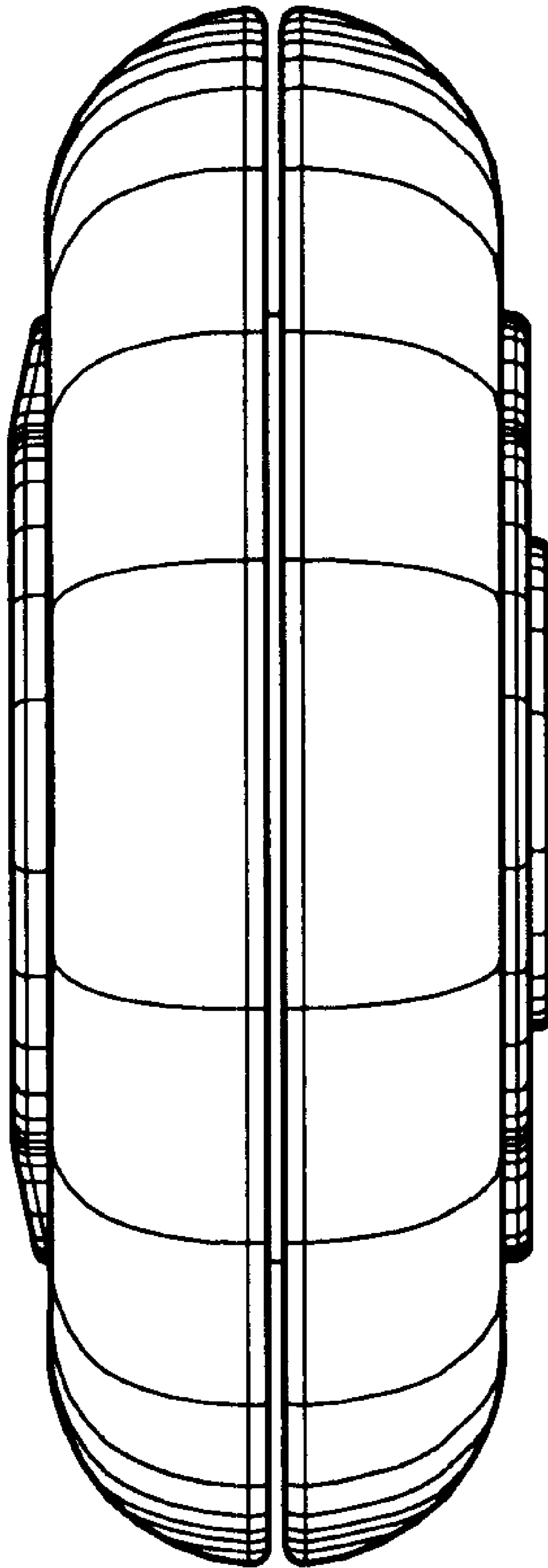


Fig. 5

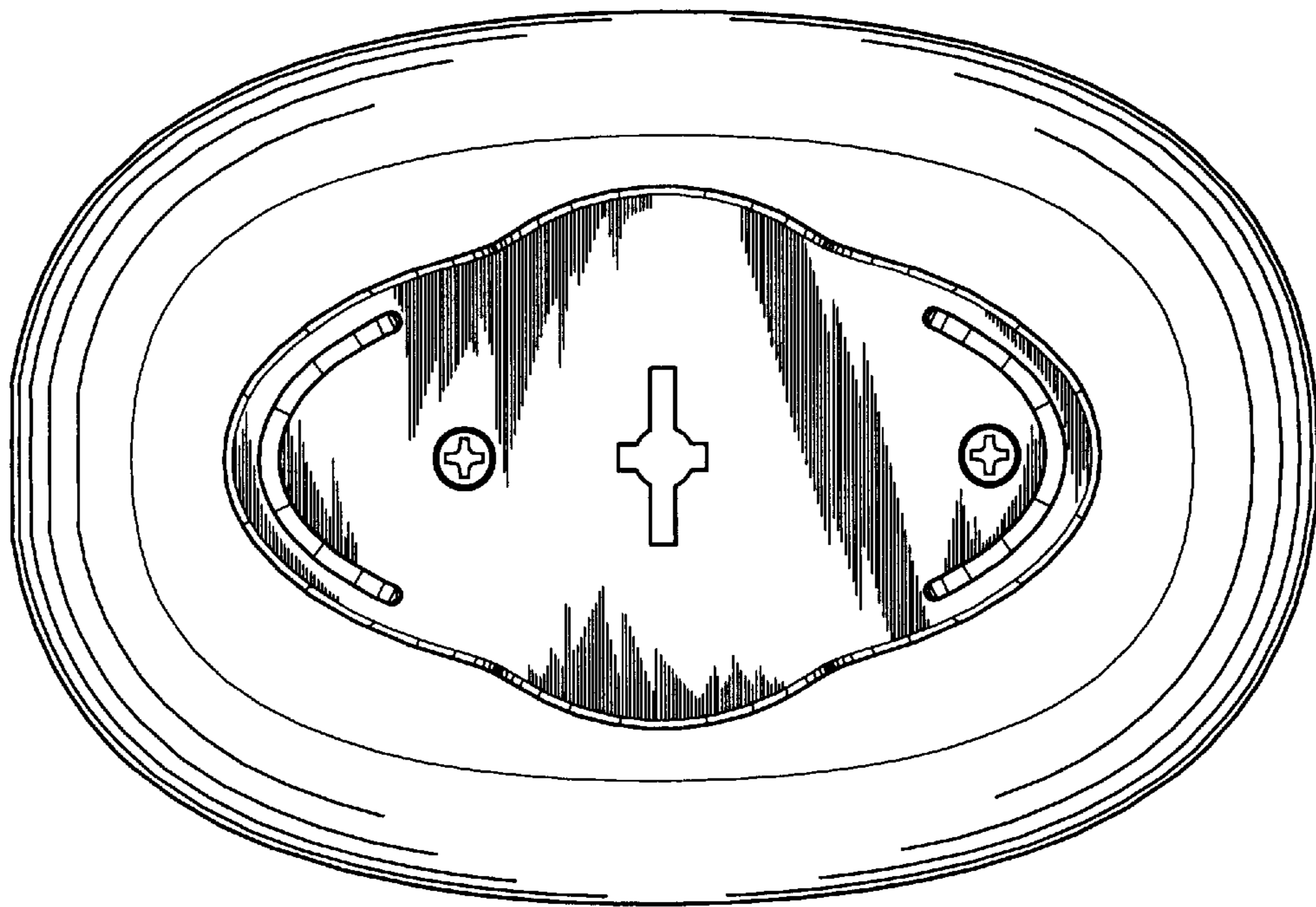


Fig.6

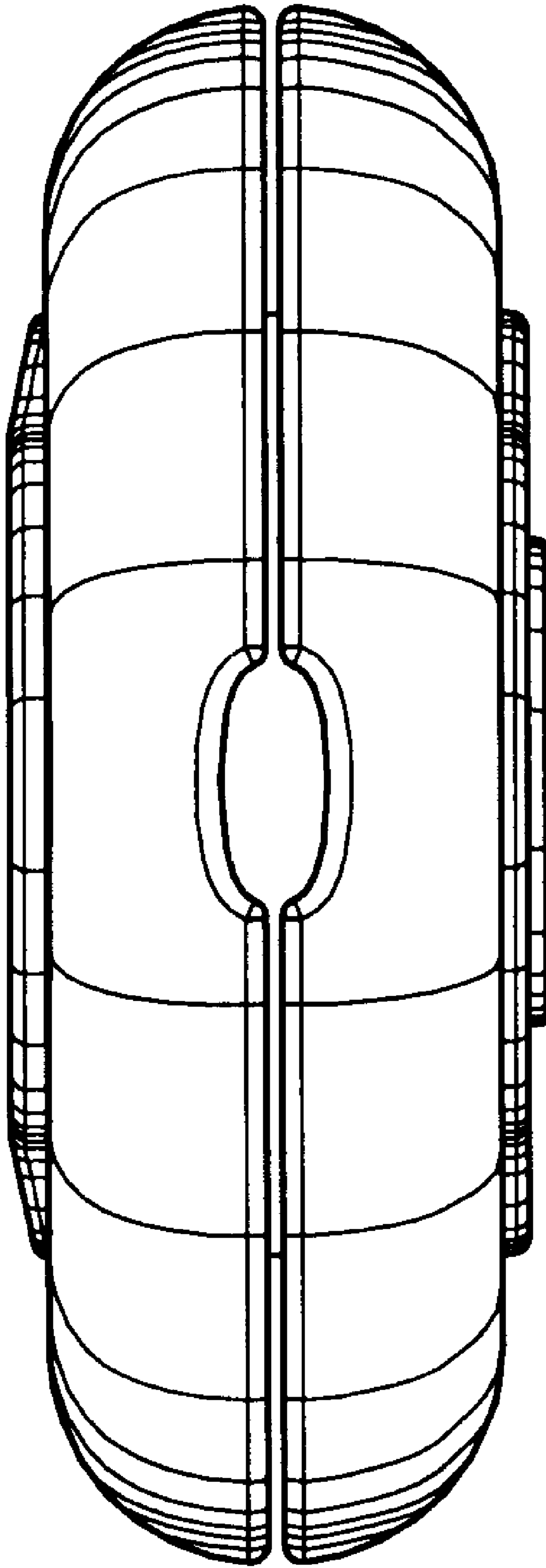


Fig. 7