



US00D483723S

(12) **United States Design Patent**
Adachi et al.

(10) **Patent No.:** **US D483,723 S**

(45) **Date of Patent:** **** Dec. 16, 2003**

(54) **SOCKET WITH POWER CORD**

(75) Inventors: **Shosuke Adachi**, Nagoya (JP);
Fumiyuki Maehara, Nagoya (JP)

(73) Assignee: **Hataya Mfg. Co., Ltd.**, Nagoya (JP)

(**) Term: **14 Years**

(21) Appl. No.: **29/171,012**

(22) Filed: **Nov. 15, 2002**

(30) **Foreign Application Priority Data**

May 27, 2002 (JP) 2002-014048

(51) **LOC (7) Cl.** **13-03**

(52) **U.S. Cl.** **D13/139.7**

(58) **Field of Search** D13/139.1, 139.7,
D13/137.2; 439/650, 651, 652

(56) **References Cited**

U.S. PATENT DOCUMENTS

- 2,210,215 A * 8/1940 Herrman D13/139.7 X
- D126,619 S * 4/1941 Reinecke D13/139.7
- D251,293 S * 3/1979 Trueblood D13/137.2
- D276,225 S * 11/1984 Powel D13/137.2
- 5,167,535 A * 12/1992 Kovacik et al. 439/620
- 5,888,105 A * 3/1999 Brown et al. 439/650 X

- D415,105 S * 10/1999 Lee D13/139.1
- D440,942 S * 4/2001 Ewing et al. D13/139.1
- 6,514,652 B2 * 2/2003 Cash, Jr. 439/650 X

* cited by examiner

Primary Examiner—Joel Sincavage

(74) *Attorney, Agent, or Firm*—Bacon & Thomas, PLLC

(57) **CLAIM**

The ornamental design for a socket with power cord, as shown and described.

DESCRIPTION

FIG. 1 is a front elevational view of a socket with power cord showing our new design, the rear view being a mirror image thereof;

FIG. 2 is a top plan view thereof;

FIG. 3 is a bottom plan view thereof;

FIG. 4 is a left side view thereof;

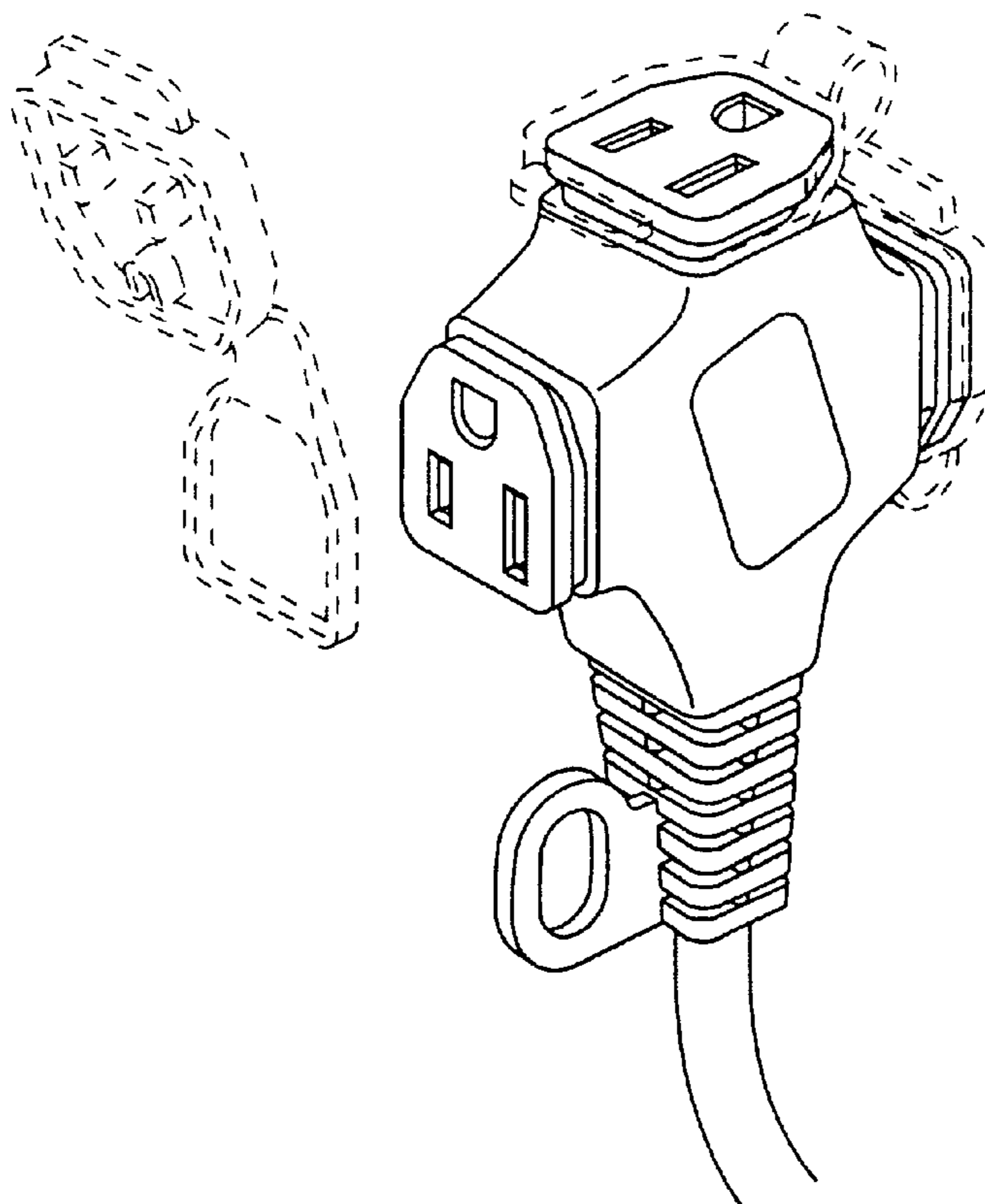
FIG. 5 is a right side view thereof; and,

FIG. 6 is a perspective view showing the socket in association with a plurality of caps shown in broken lines.

The broken lines are shown for illustrative purposes only and form no part of the claimed design.

The cord is shown broken away to indicate an indeterminate length.

1 Claim, 3 Drawing Sheets



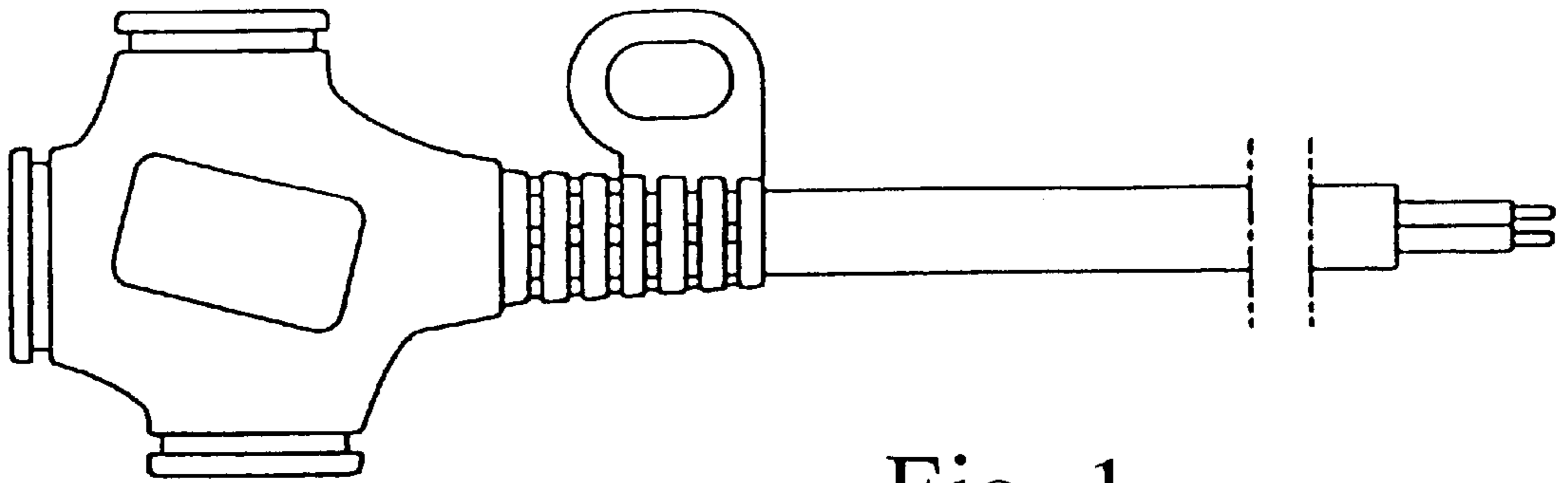


Fig. 1

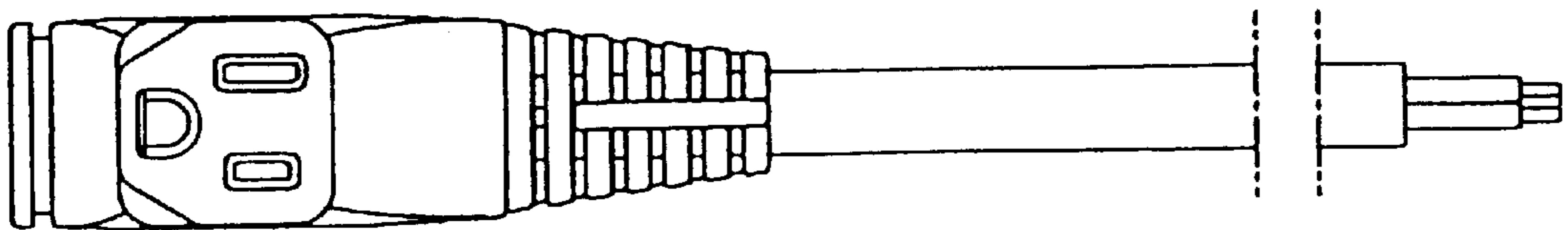


Fig. 2

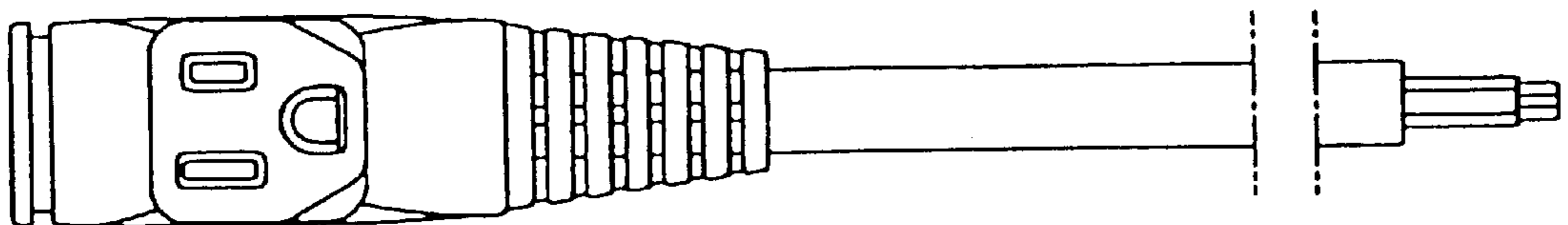


Fig. 3

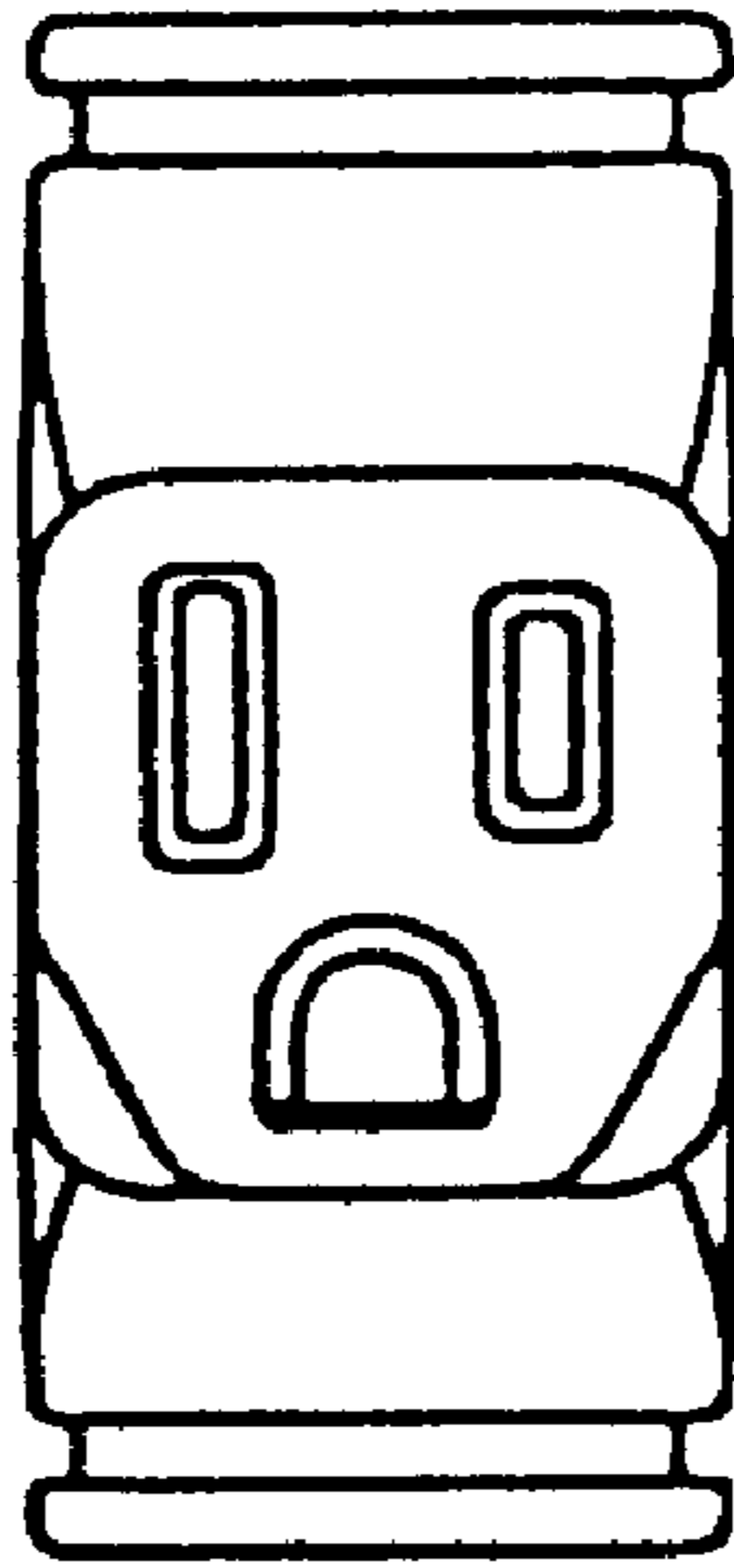


Fig. 4

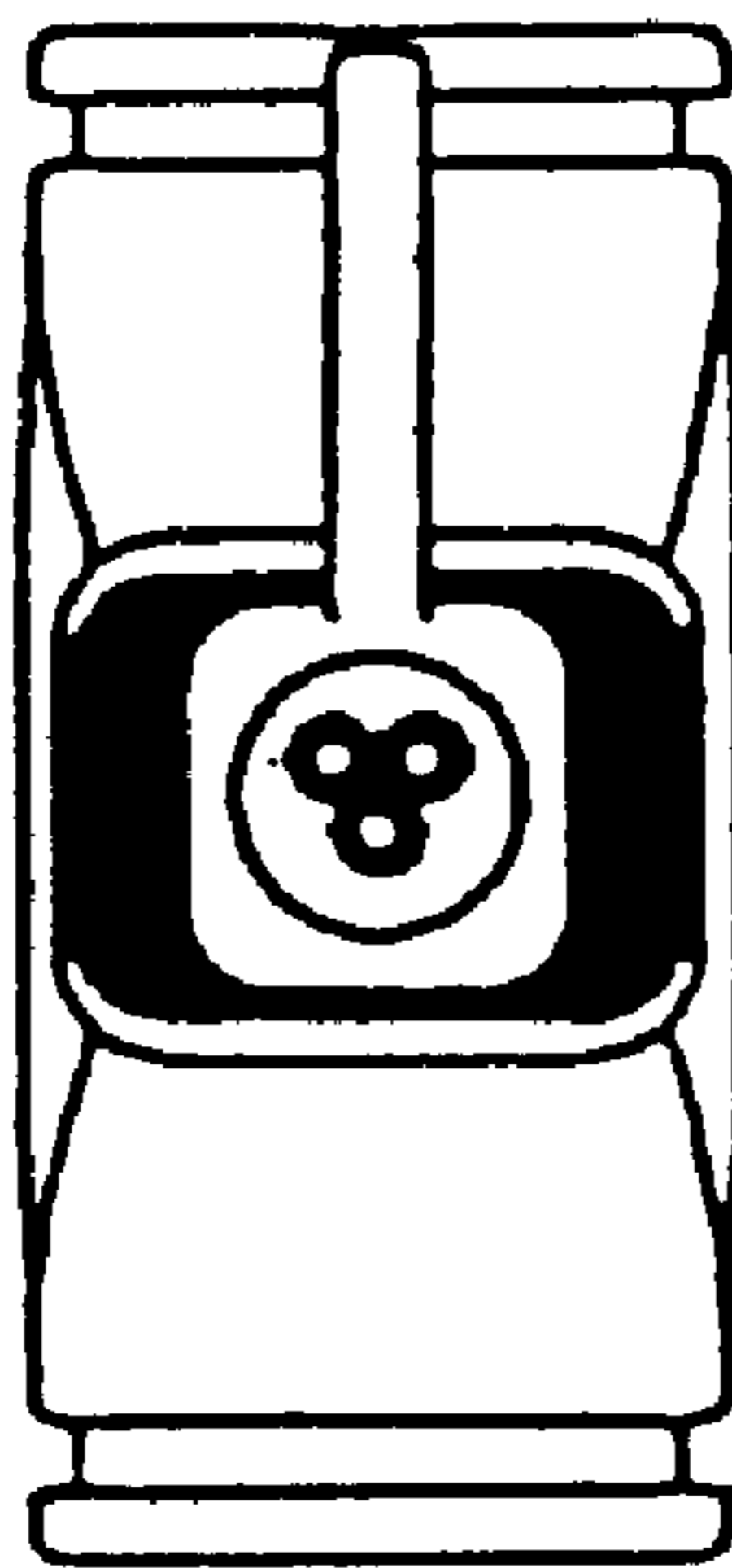


Fig. 5

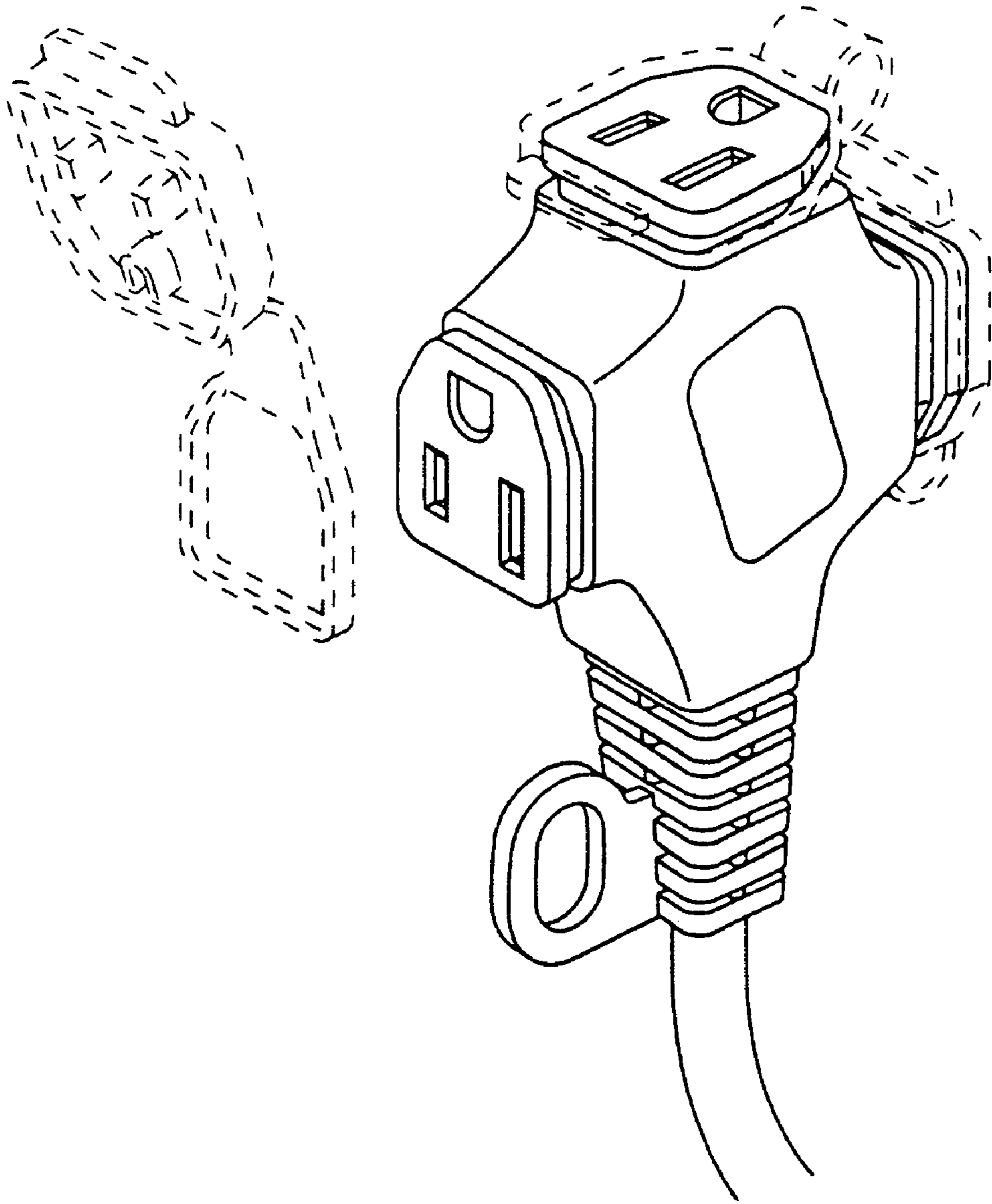


Fig. 6