



US00D483722S

(12) **United States Design Patent**
Bailey

(10) **Patent No.:** **US D483,722 S**

(45) **Date of Patent:** **** Dec. 16, 2003**

(54) **BATTERY CASE**

(75) **Inventor:** **Robert W. Bailey, Mossley (CA)**

(73) **Assignee:** **Masco Corporation of Indiana,**
Indianapolis, IN (US)

(**) **Term:** **14 Years**

(21) **Appl. No.:** **29/154,368**

(22) **Filed:** **Jan. 22, 2002**

(51) **LOC (7) Cl.** **13-02**

(52) **U.S. Cl.** **D13/119**

(58) **Field of Search** **D13/119; 429/96,**
429/97, 99, 100, 154, 176

(56) **References Cited**

U.S. PATENT DOCUMENTS

924,574 A	*	6/1909	Patterson	429/99
1,075,556 A	*	10/1913	Fenoughty	429/99
1,879,595 A	*	9/1932	Voorhees	429/99 X
3,510,376 A	*	5/1970	Freire et al.	429/8
3,791,875 A	*	2/1974	Koehler	429/97
D307,886 S	*	5/1990	Ching, Jr. et al.	D13/103
5,476,729 A	*	12/1995	Miller, Jr. et al.	429/98 X
5,521,022 A	*	5/1996	Petzl	429/97

D387,898 S	*	12/1997	Ronzani	D3/215
D399,819 S	*	10/1998	Iida	D13/103
D409,560 S	*	5/1999	Shim	D13/103

* cited by examiner

Primary Examiner—Joel Sincavage

(74) *Attorney, Agent, or Firm*—Kwadjo Adusei-Poku;
Lloyd D. Doigan

(57) **CLAIM**

The ornamental design for a battery case, as shown and described.

DESCRIPTION

FIG. 1 is a perspective view of a battery case showing my new design;
FIG. 2 is a front elevational view thereof;
FIG. 3 is a rear elevational view thereof;
FIG. 4 is a top plan view thereof;
FIG. 5 is a bottom plan view thereof;
FIG. 6 is a right side elevational view thereof; and,
FIG. 7 is a left side elevational view thereof.

The broken lines throughout the drawings are included for the purpose of illustrating portions of the case that form no part of the claimed design.

1 Claim, 2 Drawing Sheets

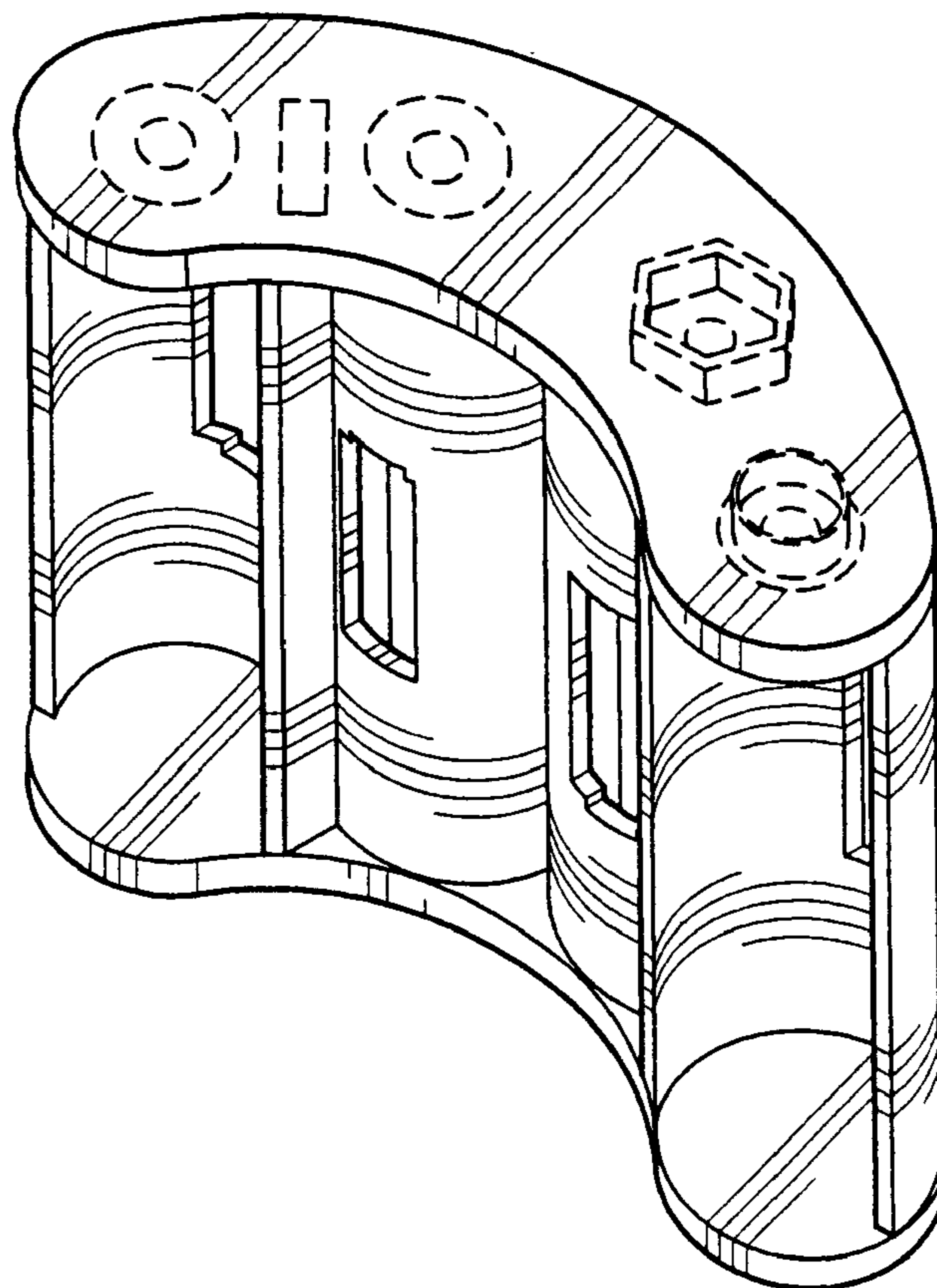


Fig-1

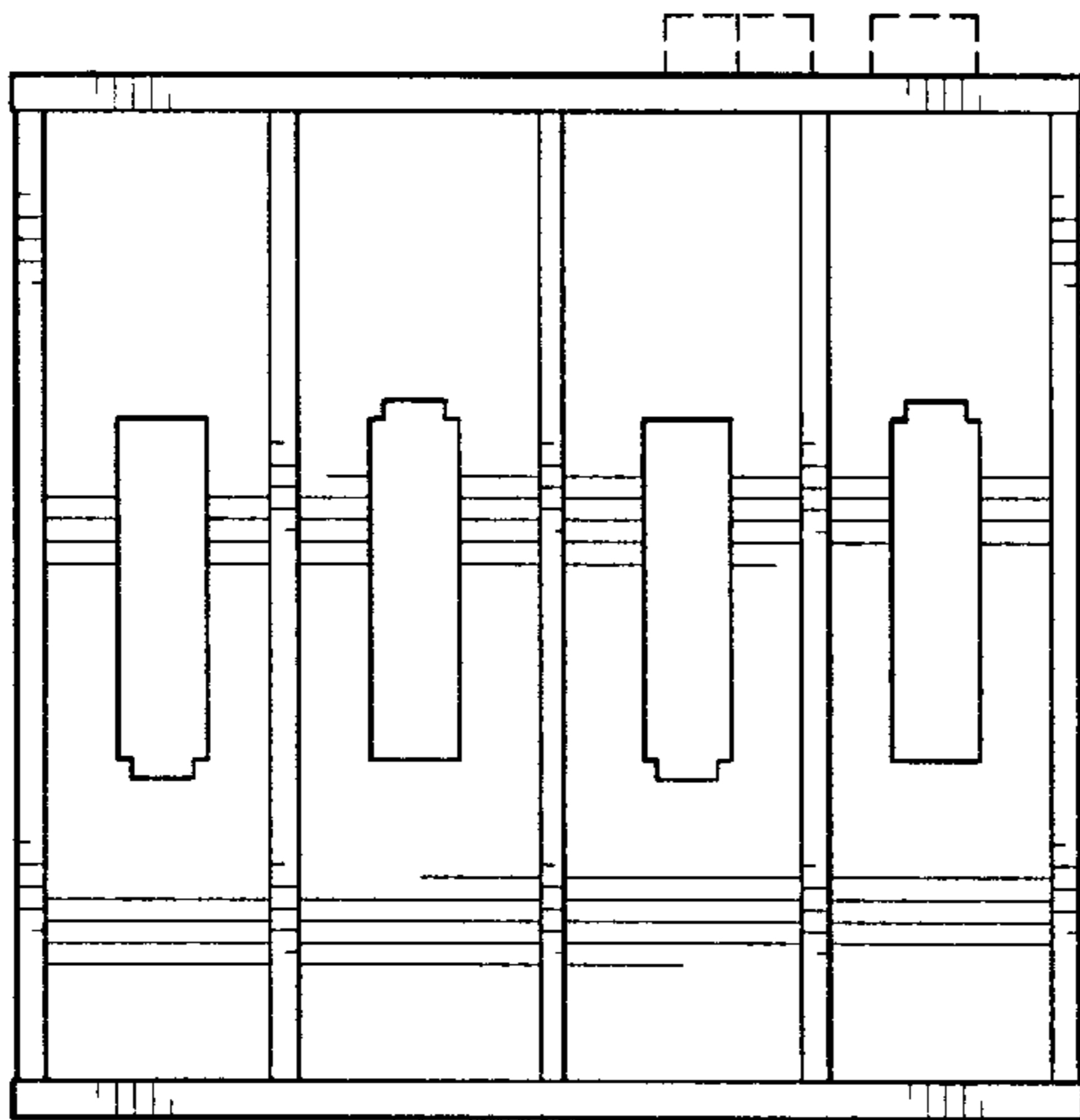
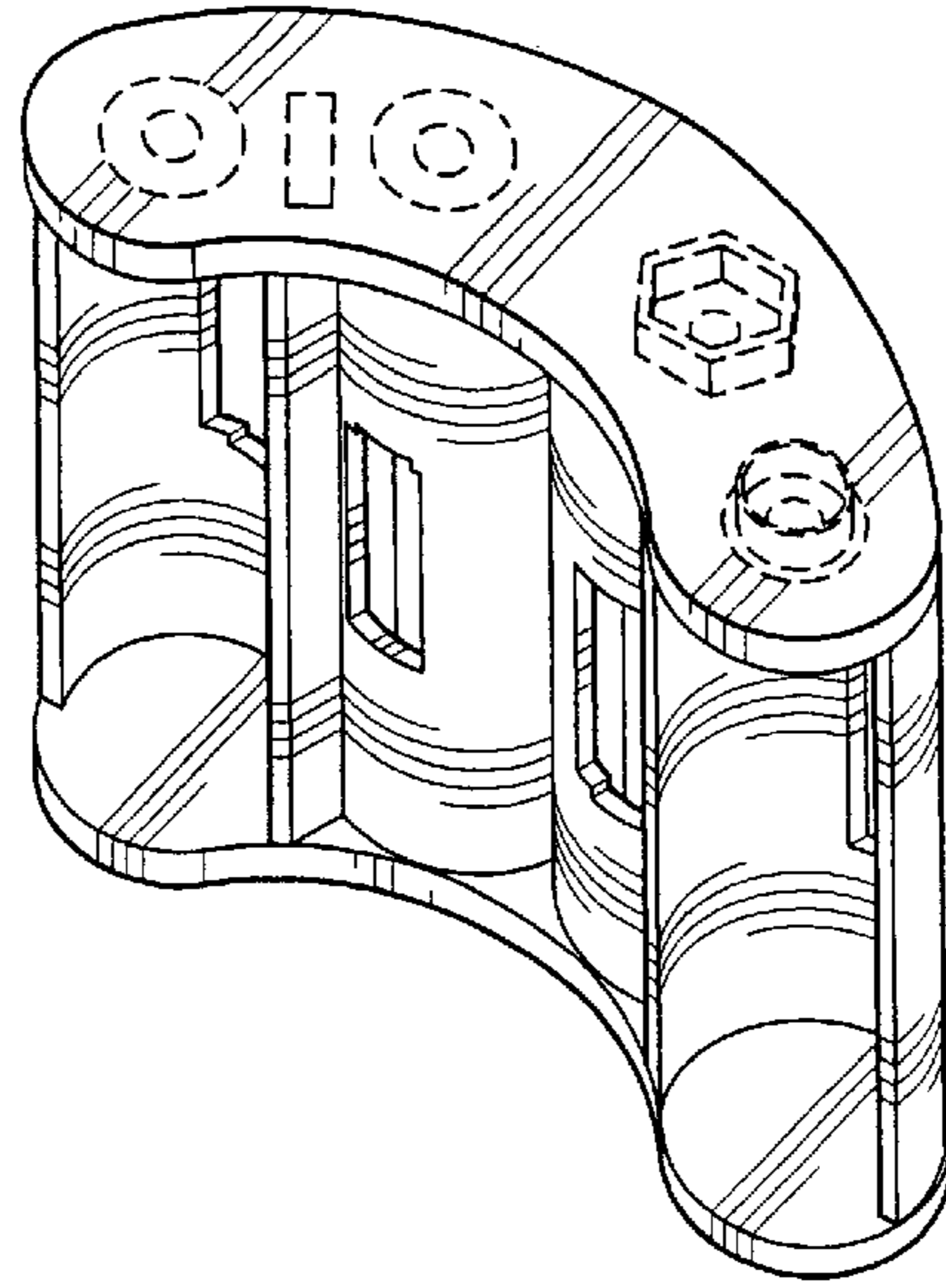
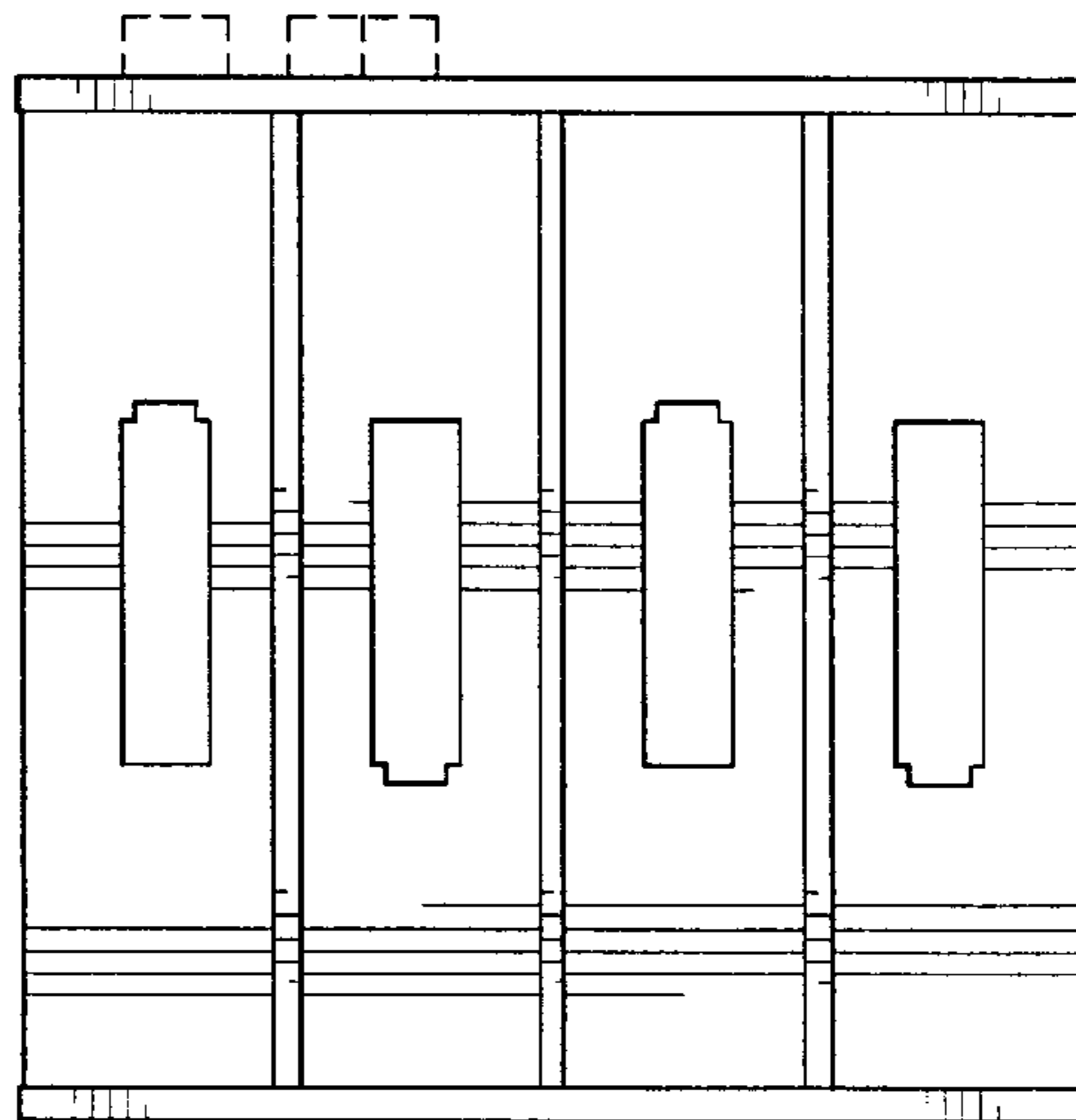


Fig-2

Fig-3



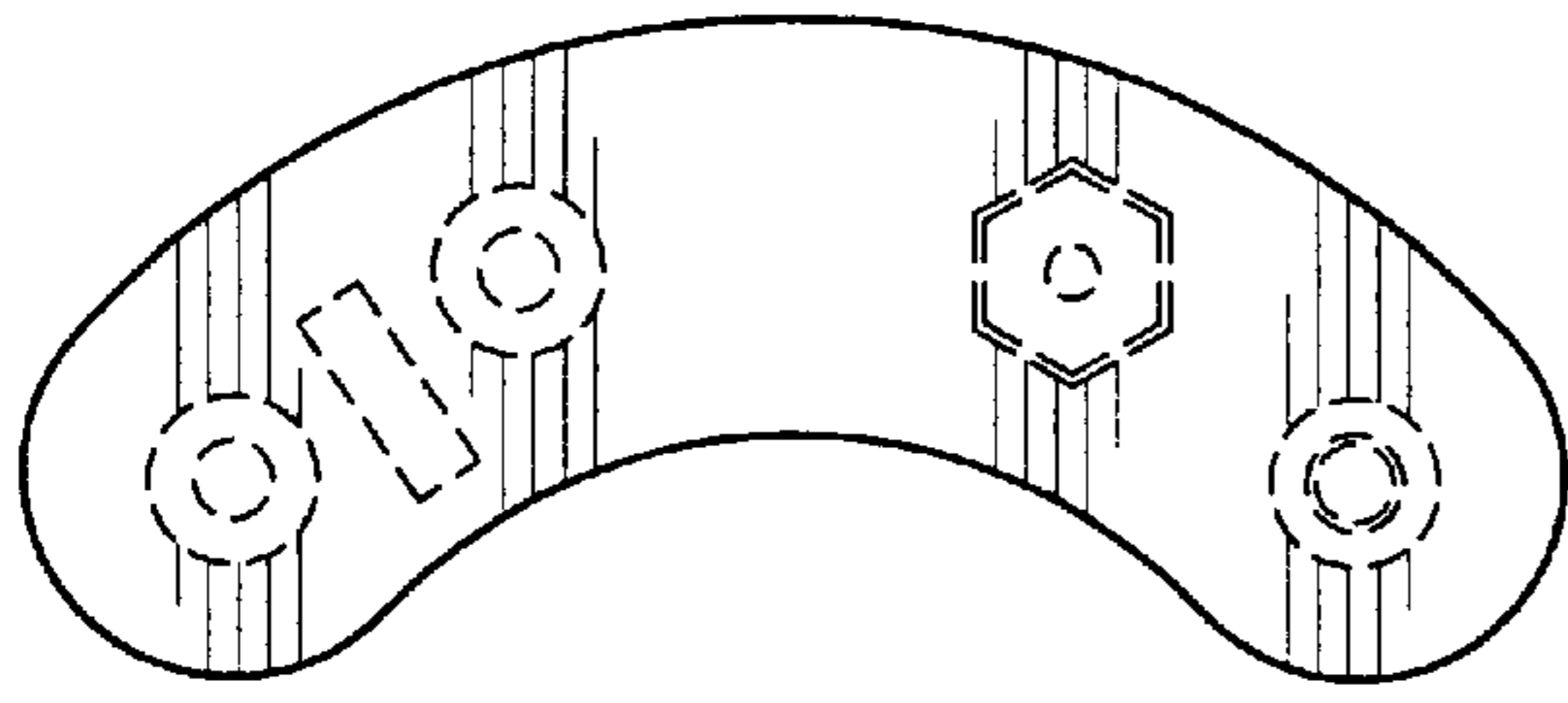


Fig-4

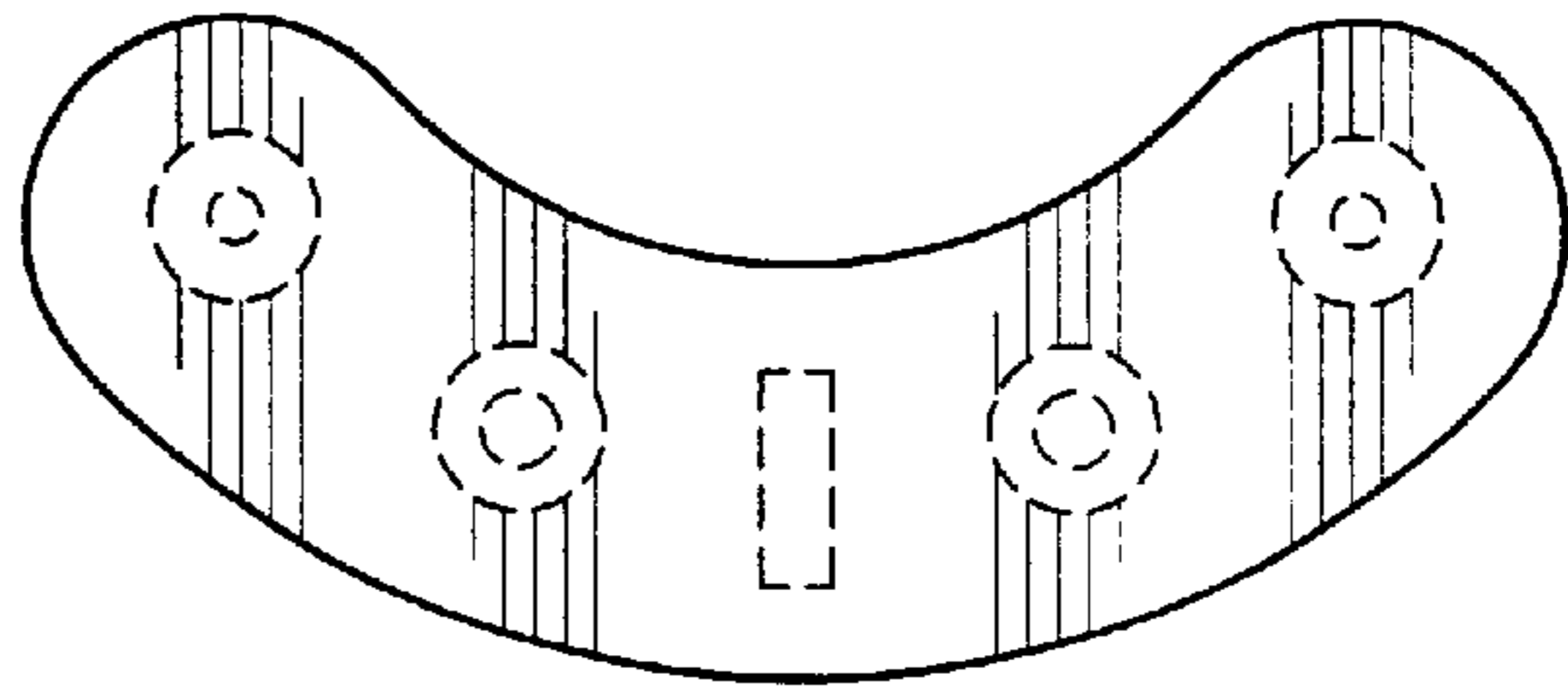


Fig-5

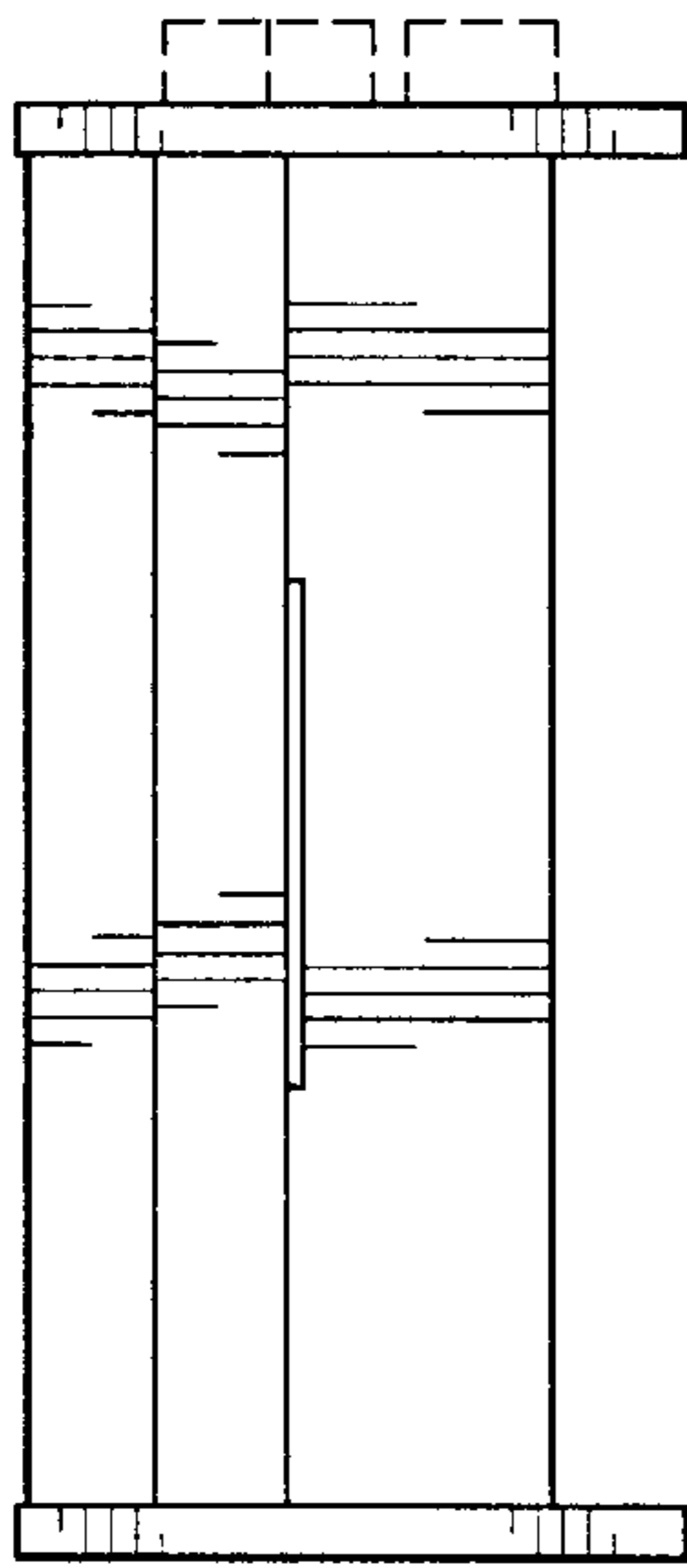


Fig-6

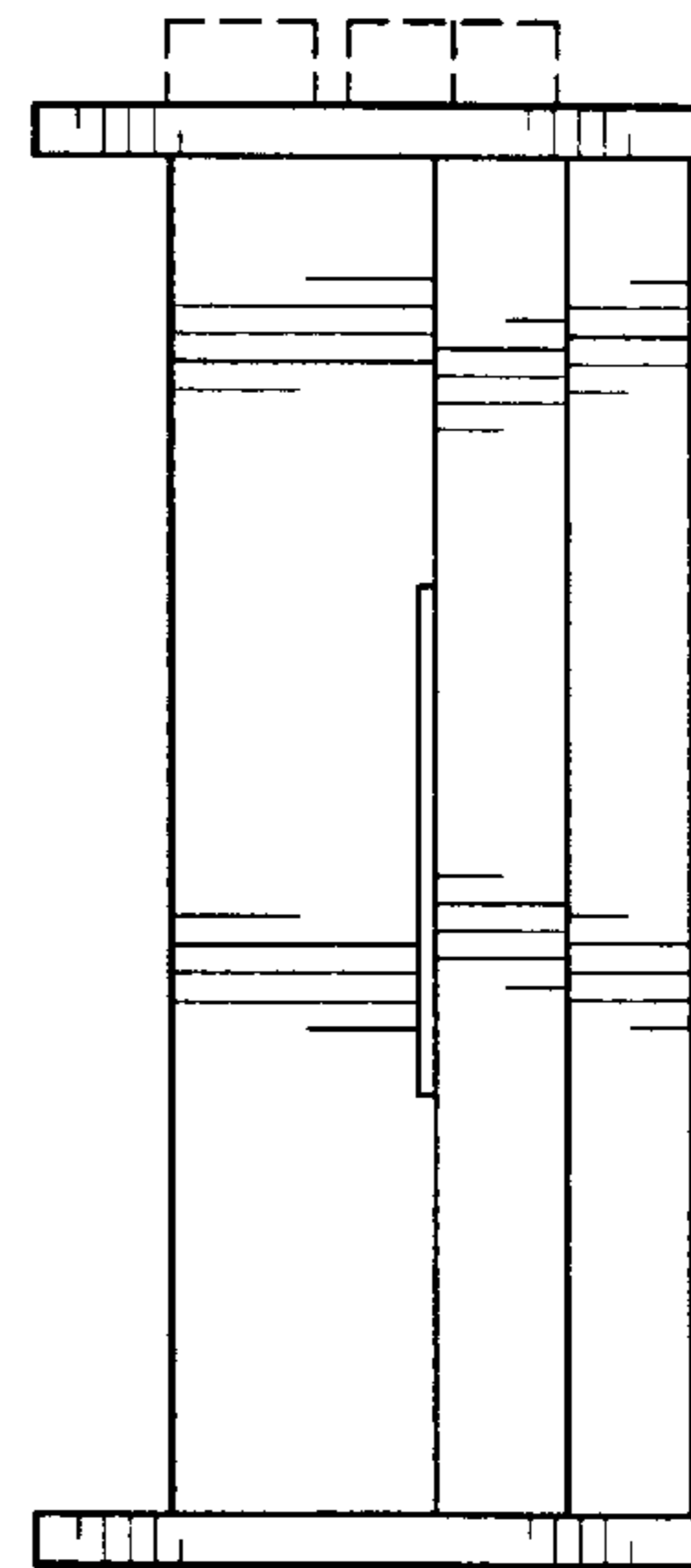


Fig-7