



US00D483717S

(12) **United States Design Patent**  
**Groendyke**

(10) **Patent No.:** **US D483,717 S**

(45) **Date of Patent:** **\*\* Dec. 16, 2003**

(54) **HANDLEBAR POCKET ASSEMBLY**

(76) **Inventor:** **Richard L. Groendyke**, 2251 Rampart Blvd., Las Vegas, NV (US) 89128

(\*\*) **Term:** **14 Years**

(21) **Appl. No.:** **29/166,089**

(22) **Filed:** **Aug. 20, 2002**

(51) **LOC (7) Cl.** ..... **12-16**

(52) **U.S. Cl.** ..... **D12/409**

(58) **Field of Search** ..... D12/110, 111,  
D12/407, 409; 224/413, 420, 430, 431;  
296/37.1; 180/219

(56) **References Cited**

**U.S. PATENT DOCUMENTS**

4,598,846 A \* 7/1986 Schroeder ..... 224/420 X

**OTHER PUBLICATIONS**

Custom Chrome ® 1998 catalog, fork bag product Nos. 27-214 and 27-215 on p. 3.69, and tool rolls and fork bags at top of p. 3.77.\*

\* cited by examiner

*Primary Examiner*—Alan P. Douglas

*Assistant Examiner*—Linda Brooks

(74) *Attorney, Agent, or Firm*—James G O’Neill, Klein, O’Neill & Singh, LLP

(57) **CLAIM**

The ornamental design for a handlebar pocket assembly, as shown and described.

**DESCRIPTION**

FIG. 1 is a front perspective view of a handlebar pocket assembly of the present invention;

FIG. 2 is a front elevational view of FIG. 1;

FIG. 3 is a rear elevational view of FIG. 1;

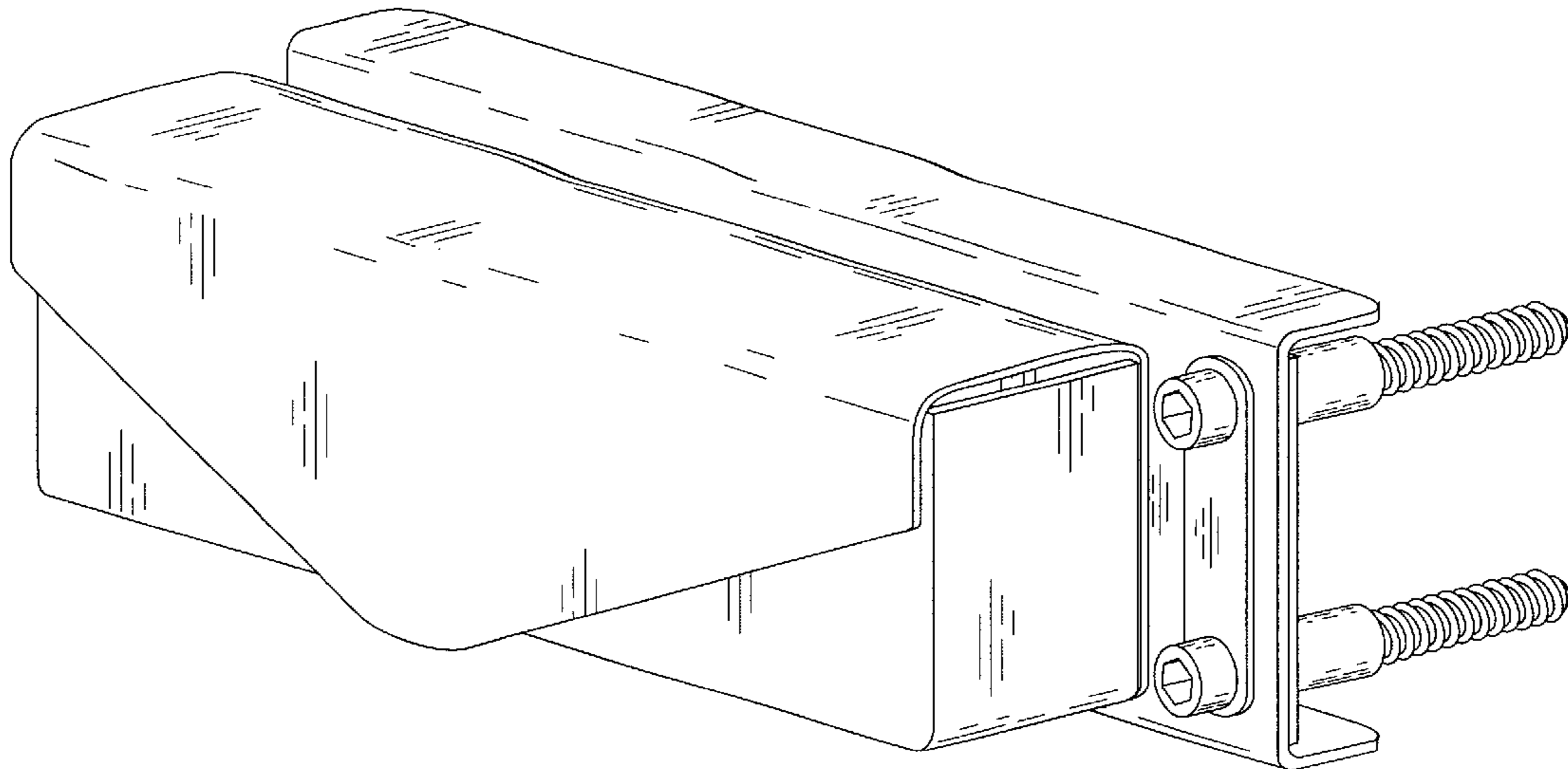
FIG. 4 is a right side elevational view of FIG. 1;

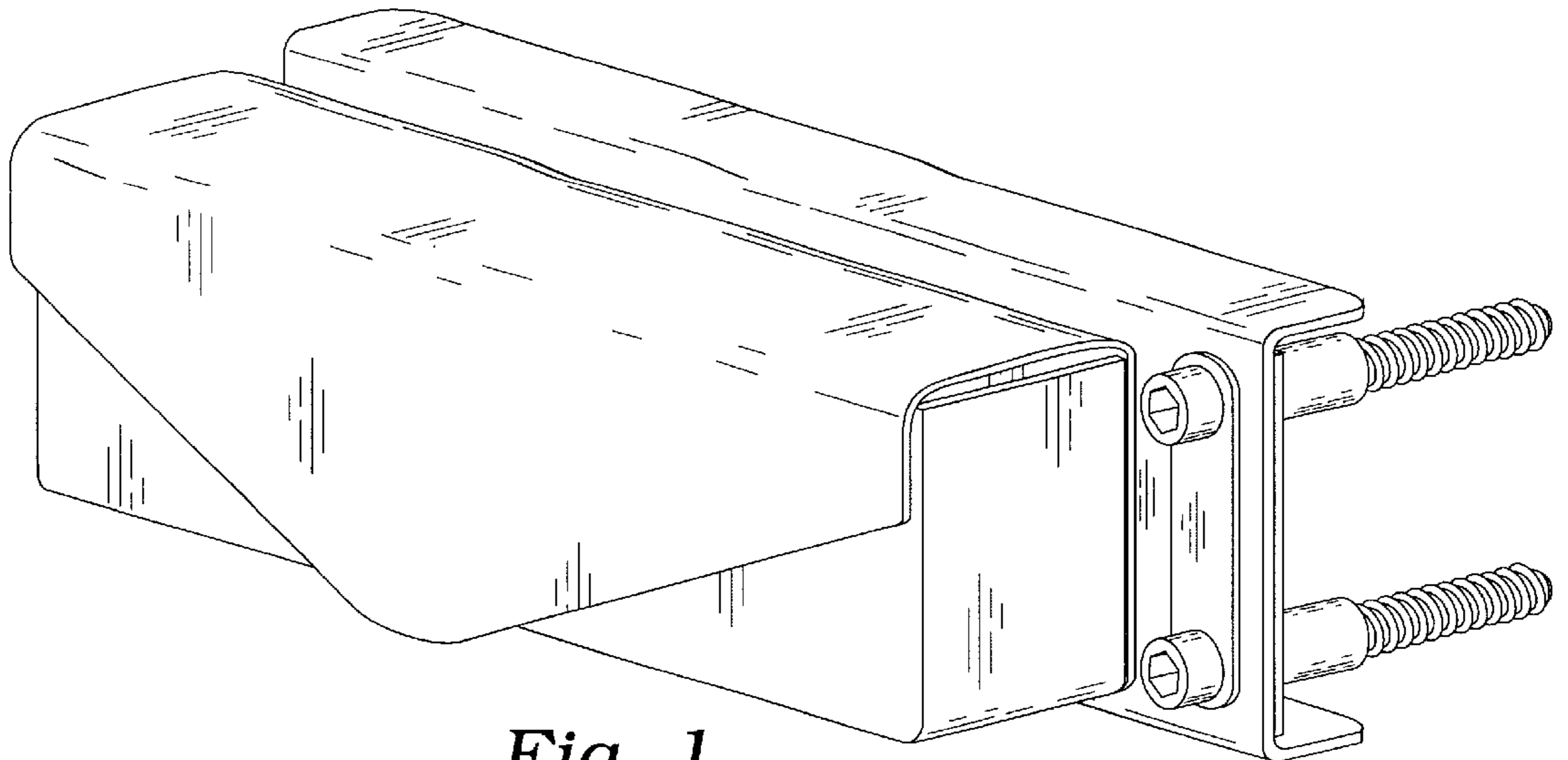
FIG. 5 is a left side elevational view of FIG. 1;

FIG. 6 is a bottom plan view of FIG. 1; and,

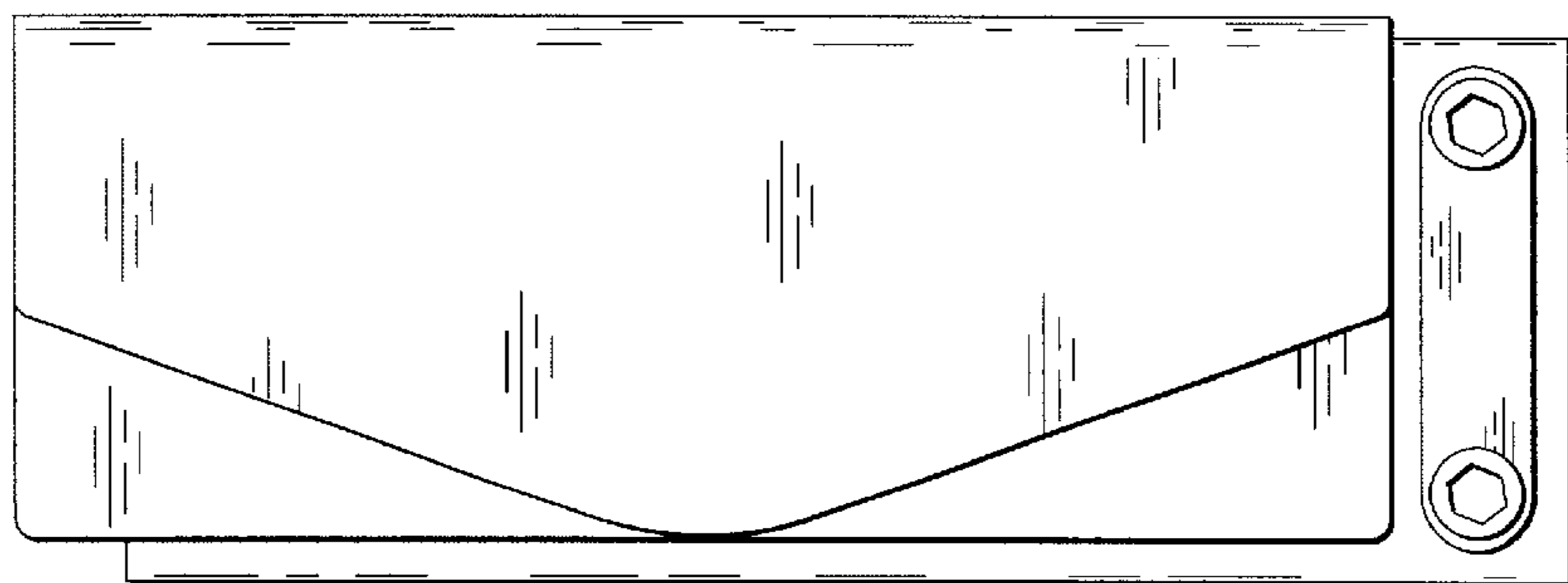
FIG. 7 is a top plan view of FIG. 1.

**1 Claim, 2 Drawing Sheets**

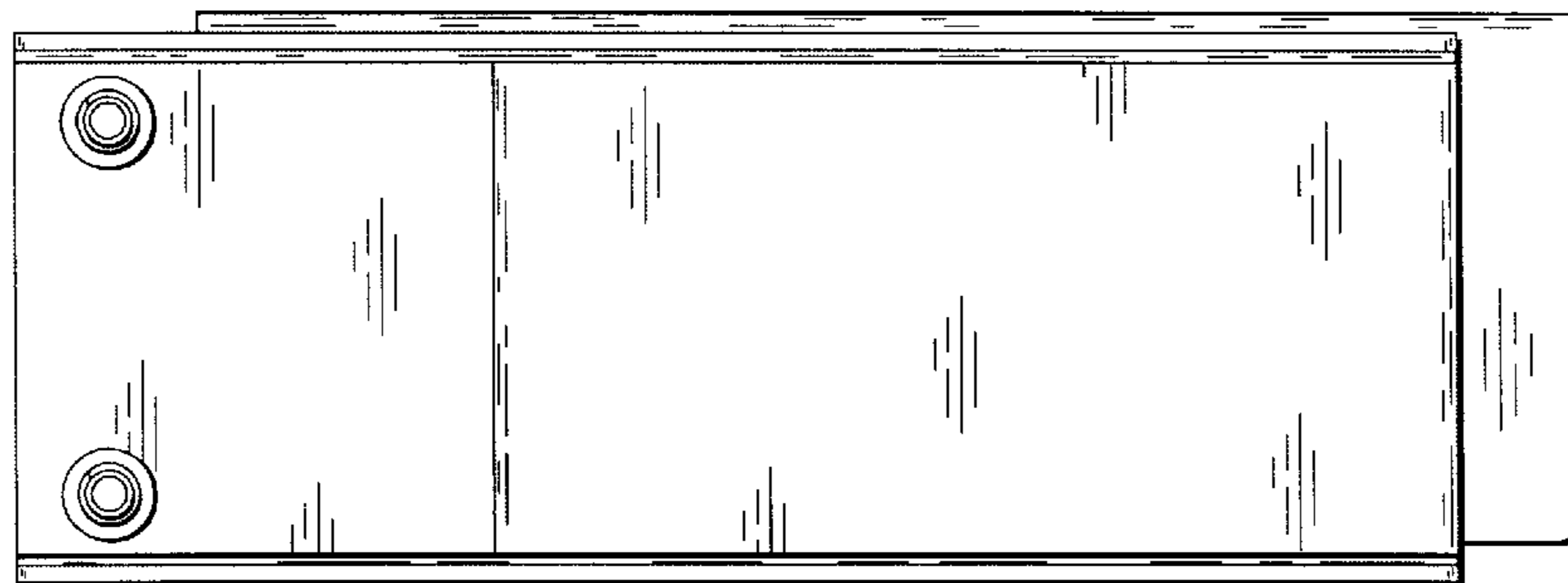




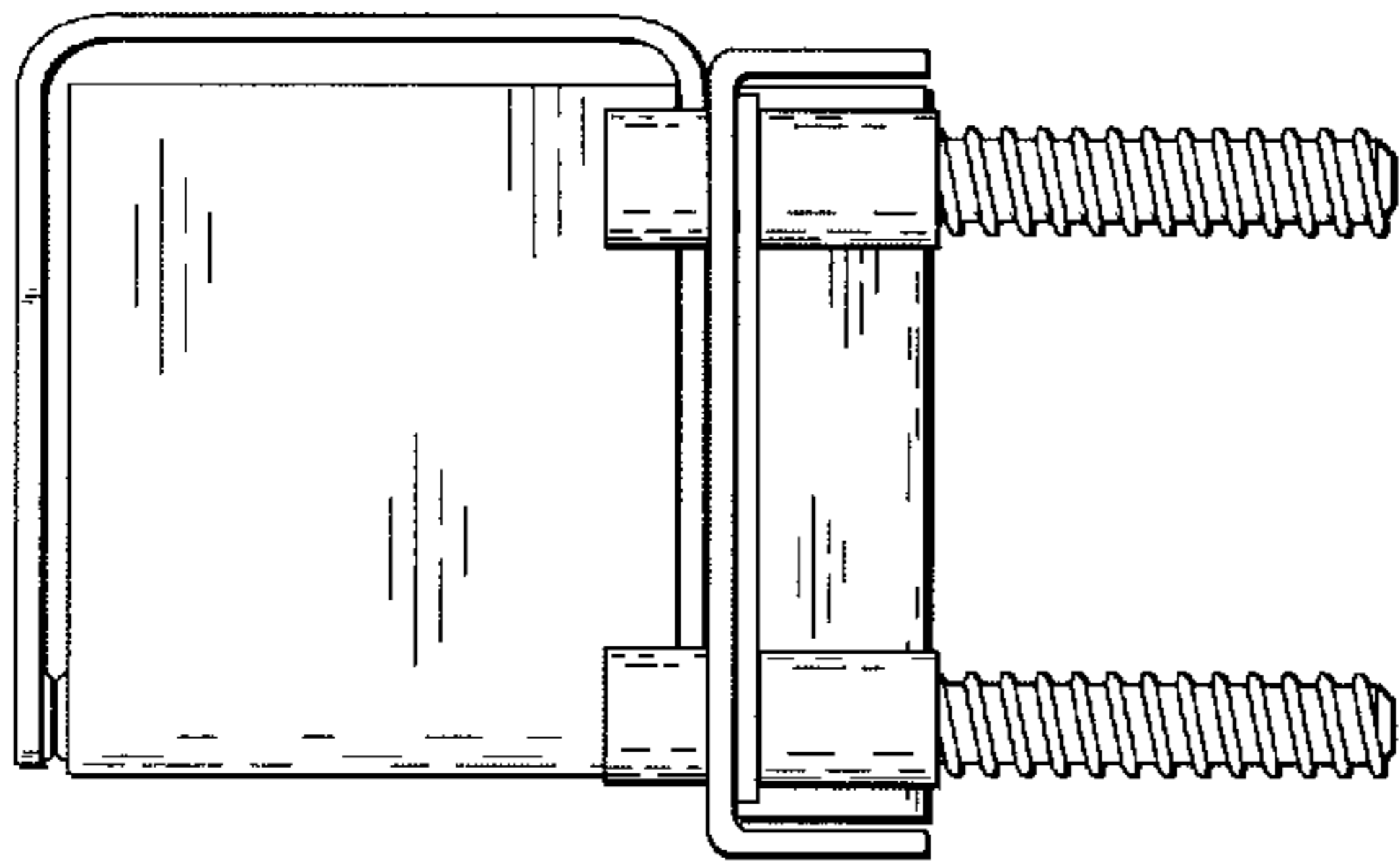
*Fig. 1*



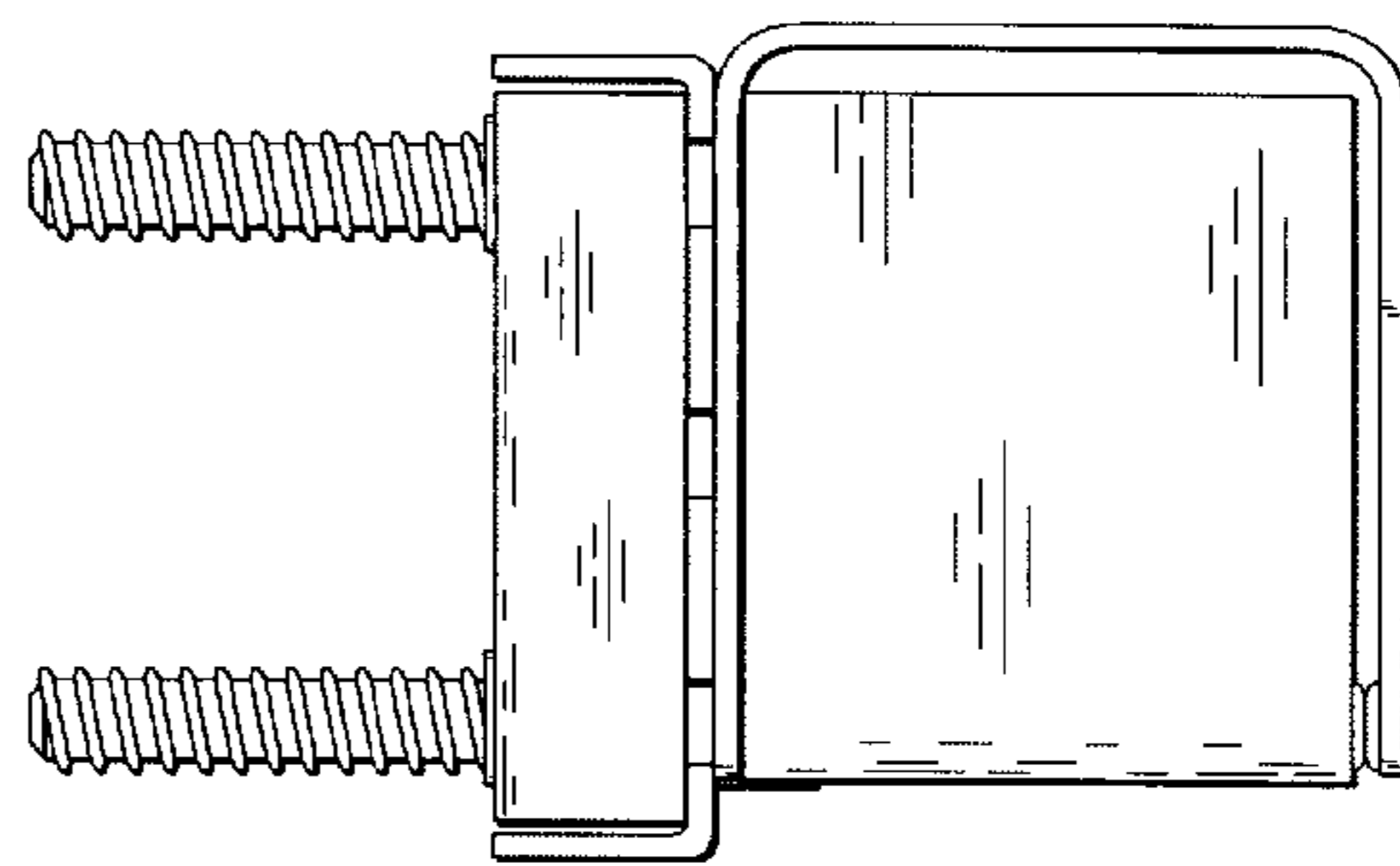
*Fig. 2*



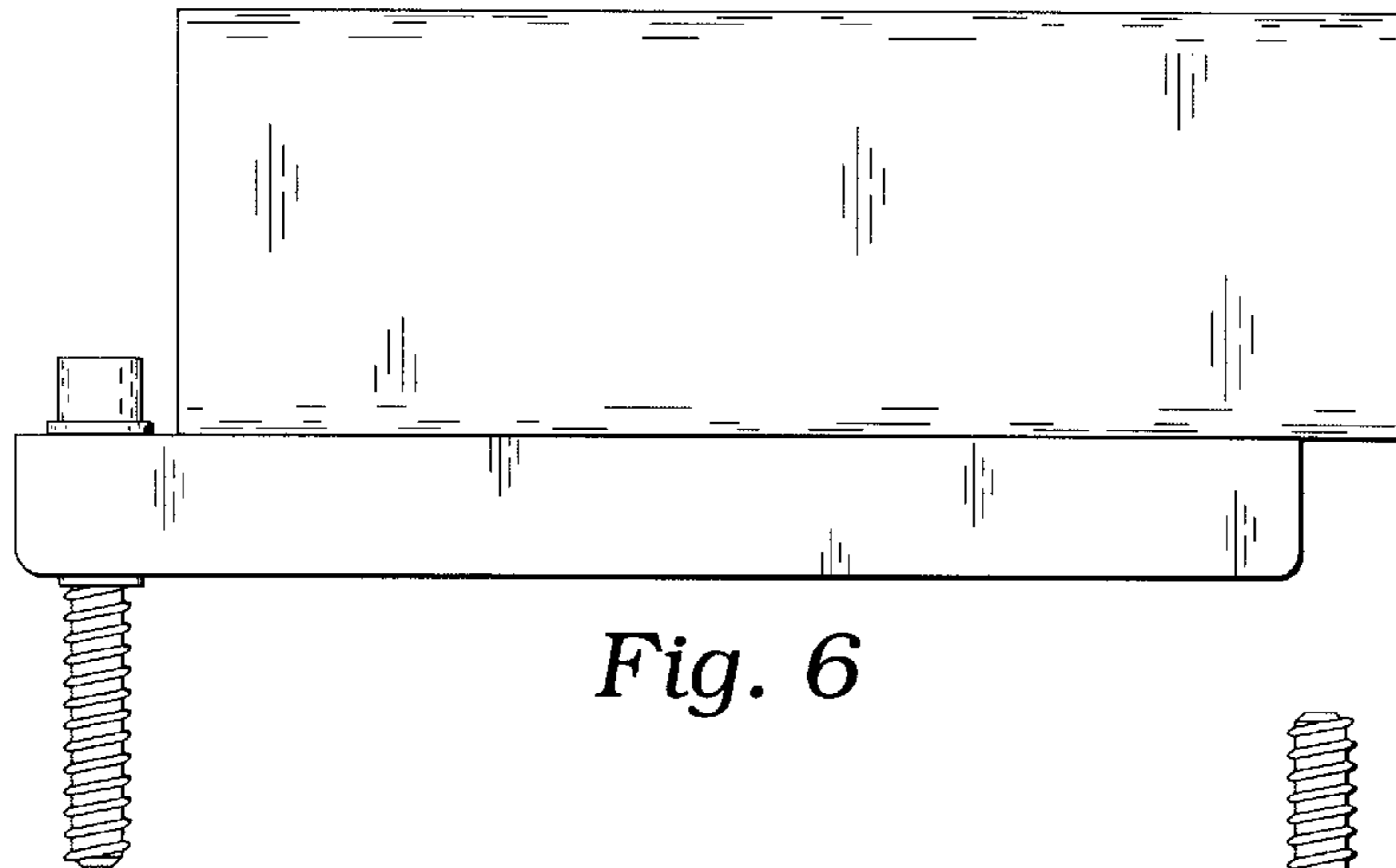
*Fig. 3*



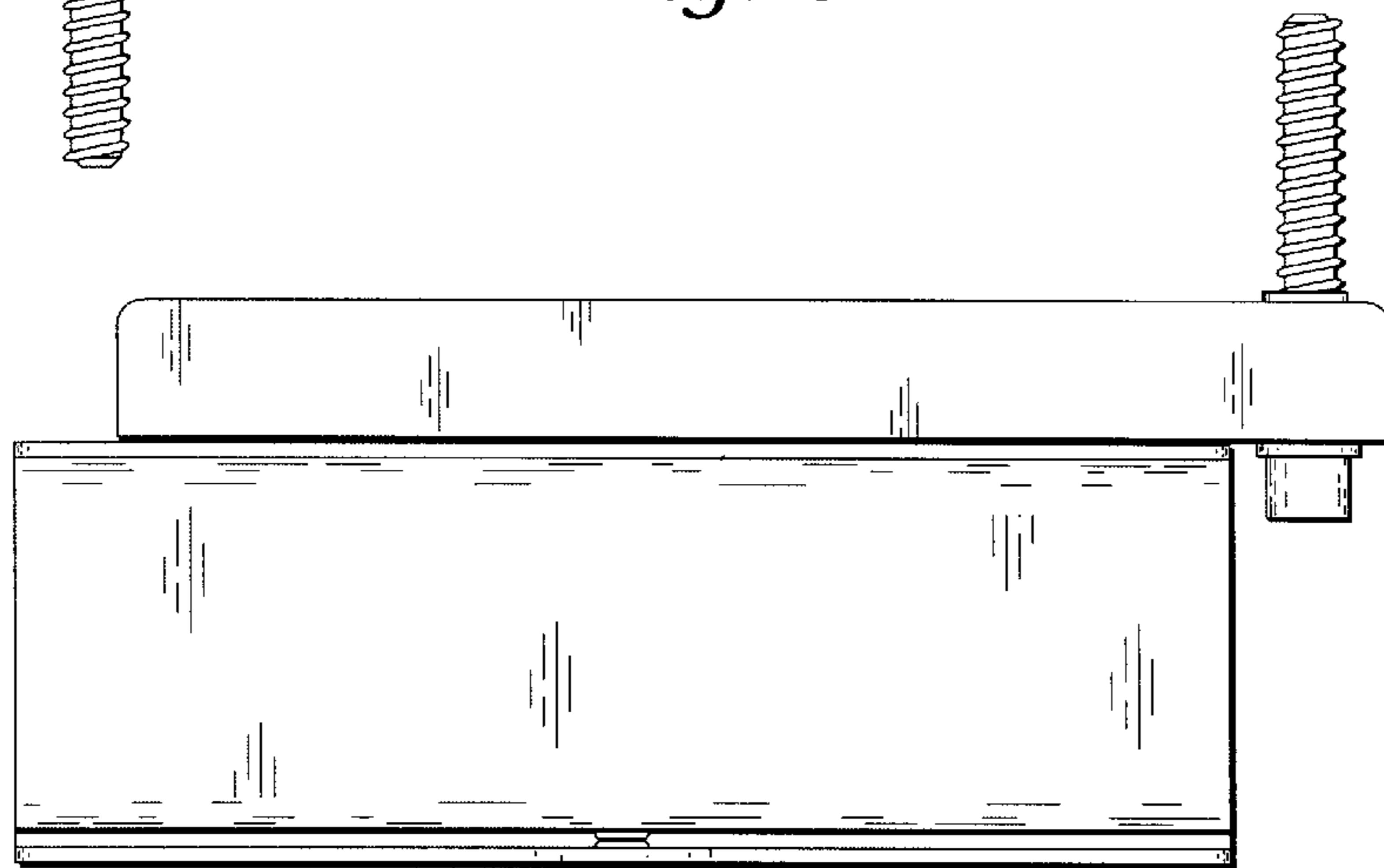
*Fig. 4*



*Fig. 5*



*Fig. 6*



*Fig. 7*