



US00D483714S

(12) **United States Design Patent**  
**Warming**

(10) **Patent No.:** **US D483,714 S**

(45) **Date of Patent:** **\*\* Dec. 16, 2003**

(54) **FRONT FACE OF A VEHICLE WHEEL**

(75) **Inventor:** **Anders Warming**, Woodland Hills, CA  
(US)

(73) **Assignee:** **Bayerische Motoren Werke**  
**Aktiengesellschaft**, Munich (DE)

(\*\*) **Term:** **14 Years**

(21) **Appl. No.:** **29/167,686**

(22) **Filed:** **Sep. 20, 2002**

(30) **Foreign Application Priority Data**

Mar. 22, 2002 (DE) ..... 402 02 745

(51) **LOC (7) Cl.** ..... **12-16**

(52) **U.S. Cl.** ..... **D12/211**

(58) **Field of Search** ..... D12/204-211;  
301/37.101, 64.101, 65

(56) **References Cited**

**U.S. PATENT DOCUMENTS**

- D398,278 S \* 9/1998 Brown et al. .... D12/211
- D409,132 S \* 5/1999 Cullen ..... D12/211
- D417,427 S \* 12/1999 Brown ..... D12/211

- D451,877 S \* 12/2001 Lee ..... D12/211
- D456,331 S \* 4/2002 Chung ..... D12/209
- D460,942 S \* 7/2002 Lee ..... D12/211
- D466,070 S \* 11/2002 Lee ..... D12/211
- D470,094 S \* 2/2003 Van Hooydonk ..... D12/211
- D474,440 S \* 5/2003 Oh ..... D12/211
- D475,670 S \* 6/2003 Chung ..... D12/209
- D475,961 S \* 6/2003 Pfeiffer et al. .... D12/211

\* cited by examiner

*Primary Examiner*—Stacia Cadmus

(74) *Attorney, Agent, or Firm*—Crowell & Moring LLP

(57) **CLAIM**

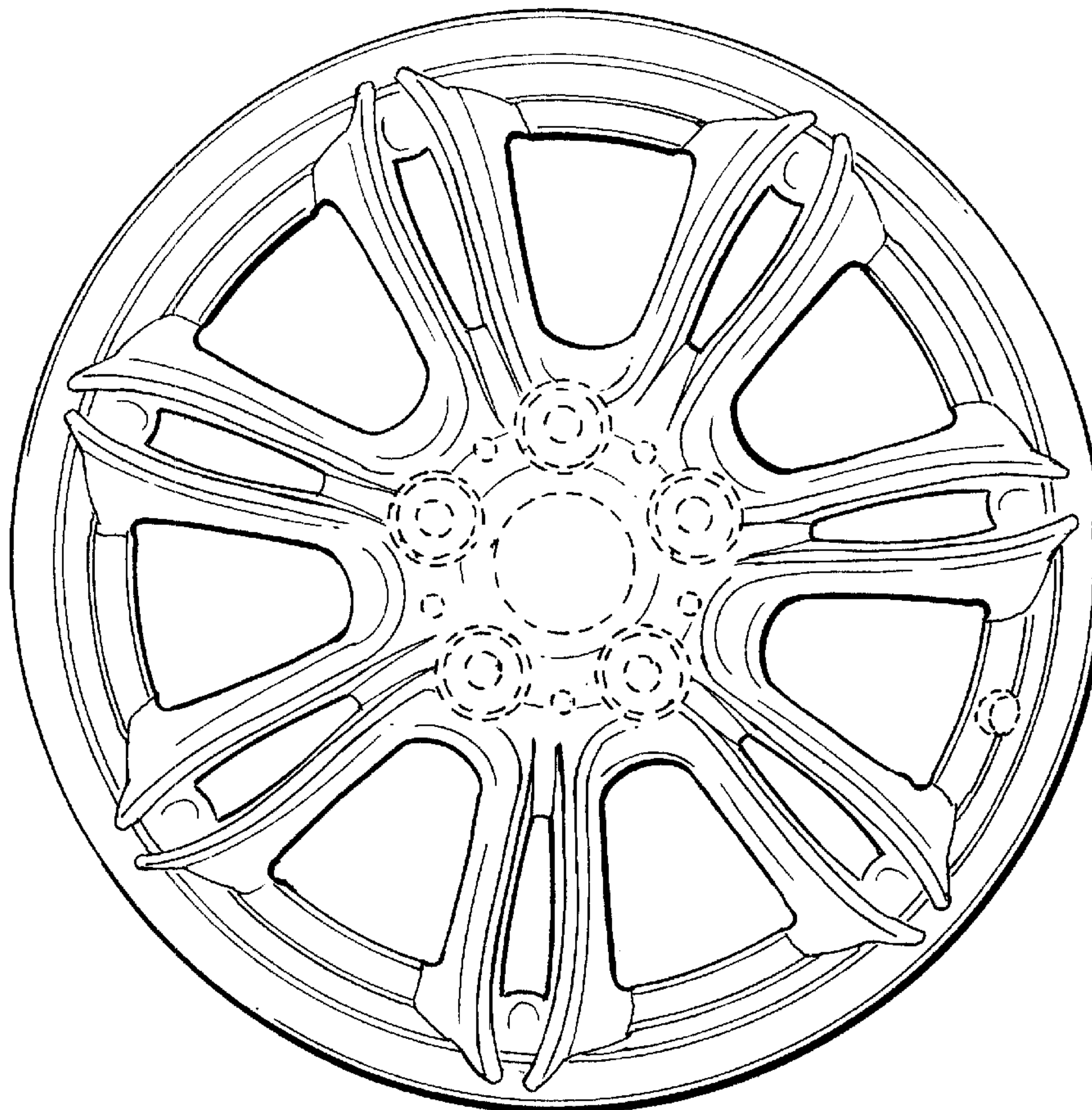
The ornamental design for a front face of a vehicle wheel, as shown and described.

**DESCRIPTION**

FIG. 1 is a front view of a front face of a vehicle wheel according to my novel design; and, FIG. 2 is a perspective view of the front face of a vehicle wheel according to my novel design.

The dash lines included depict environment and are not part of the claimed design.

**1 Claim, 1 Drawing Sheet**



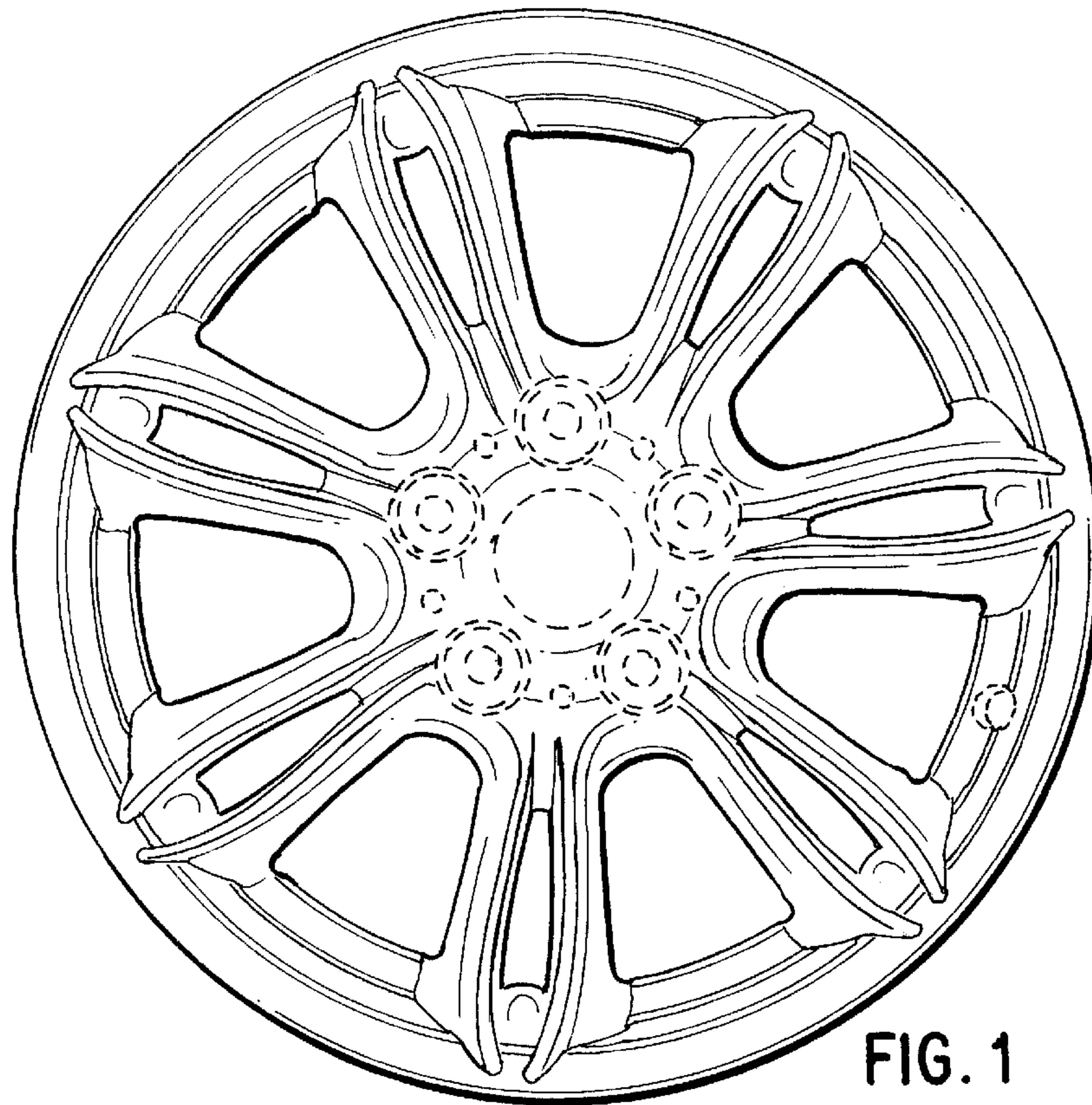


FIG. 1

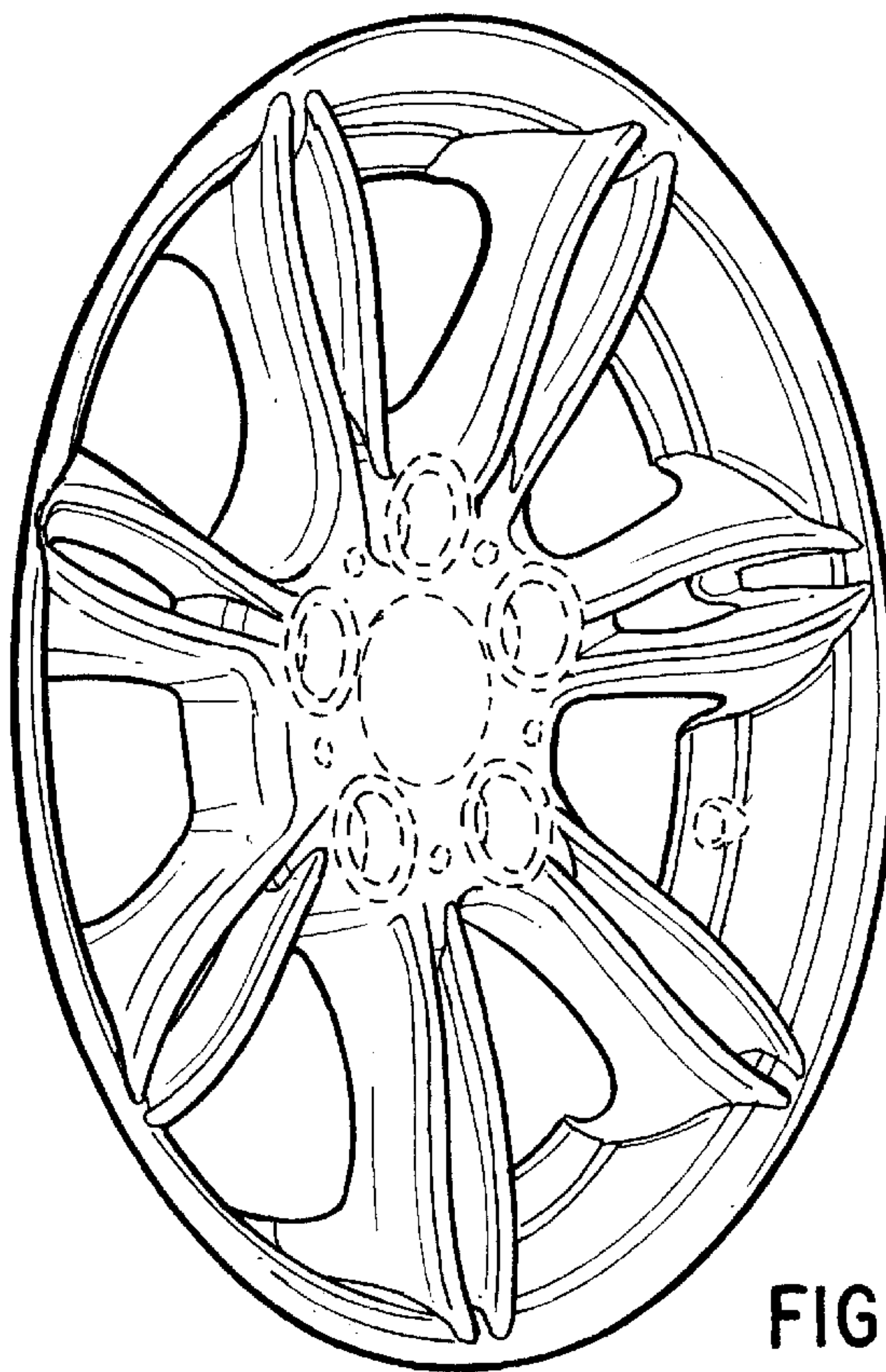


FIG. 2