



US00D483708S

(12) **United States Design Patent**
Roehmer et al.

(10) **Patent No.:** **US D483,708 S**

(45) **Date of Patent:** **** Dec. 16, 2003**

(54) **BRUSHGUARD**

D476,606 S * 7/2003 Hamm et al. D12/159

(75) Inventors: **Marcus Roehmer**, Scottsdale, AZ (US);
Michael Kenney, Maricopa, AZ (US)

* cited by examiner

(73) Assignee: **SMA-Patents, LLC**, Scottsdale, AZ
(US)

Primary Examiner—Melody N. Brown
(74) *Attorney, Agent, or Firm*—Wright Law Group, PLLC;
Mark F. Wright

(**) Term: **14 Years**

(57) **CLAIM**

(21) Appl. No.: **29/176,281**

The ornamental design for a brushguard, as shown and described.

(22) Filed: **Feb. 18, 2003**

DESCRIPTION

(51) **LOC (7) Cl.** **12-16**

(52) **U.S. Cl.** **D12/171**

(58) **Field of Search** D12/171, 172,
D12/169, 196; 293/102, 115, 120, 121,
144; 180/215, 233

FIG. 1 is a perspective view of a brushguard showing our new design;
FIG. 2 is a right side view thereof;
FIG. 3 is a top view thereof;
FIG. 4 is a front view thereof;
FIG. 5 is a bottom view thereof; and,
FIG. 6 is a rear view thereof.

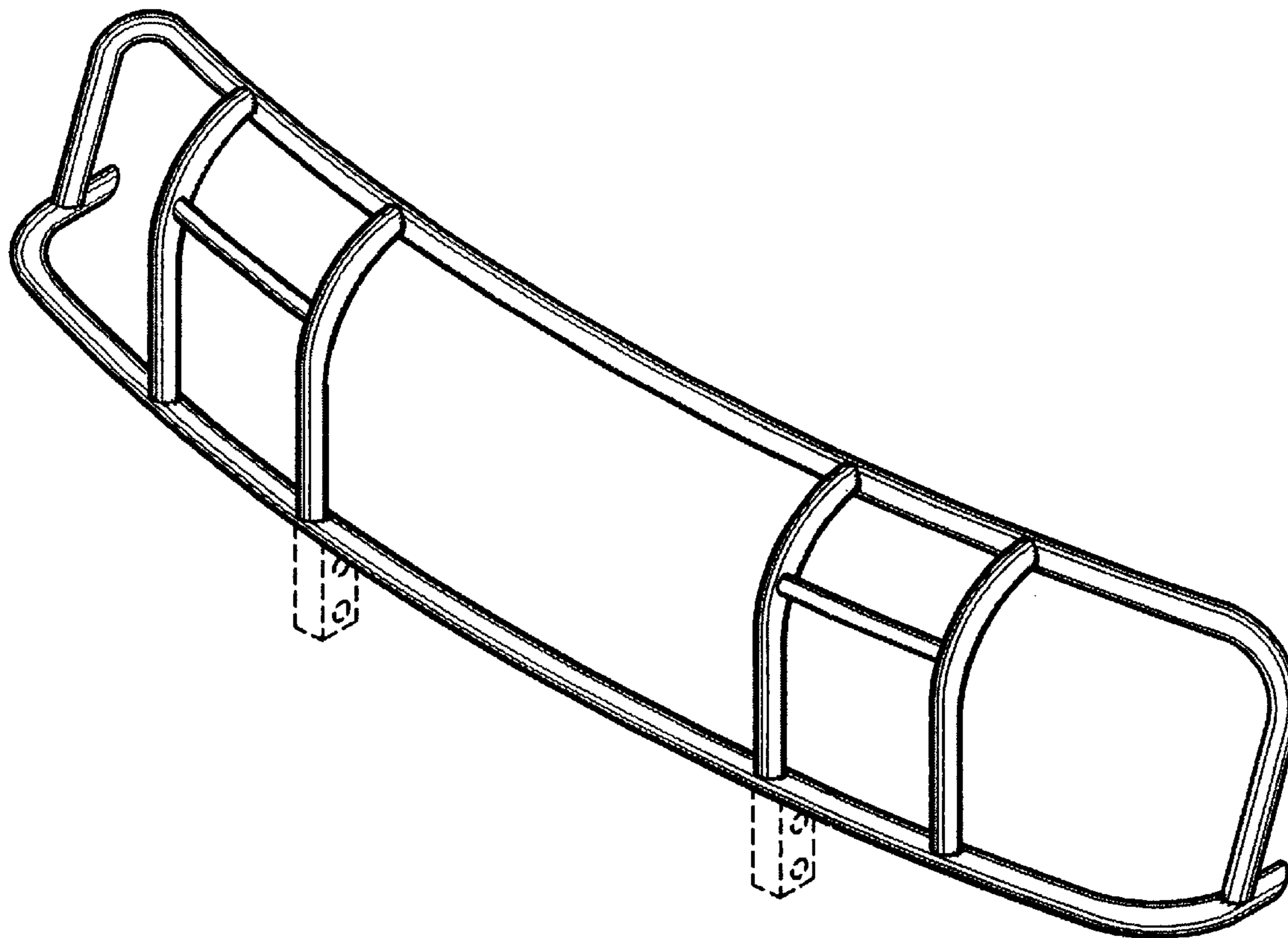
(56) **References Cited**

U.S. PATENT DOCUMENTS

D384,624 S 10/1997 Kincart D12/171
D440,530 S * 4/2001 Geisler D12/171
D455,684 S * 4/2002 McGuinness D12/171

The broken lines shown in the FIGS. 1, 2, 4 and 6 drawing views are for illustrative purposes only and form no part of the claim design.

1 Claim, 2 Drawing Sheets



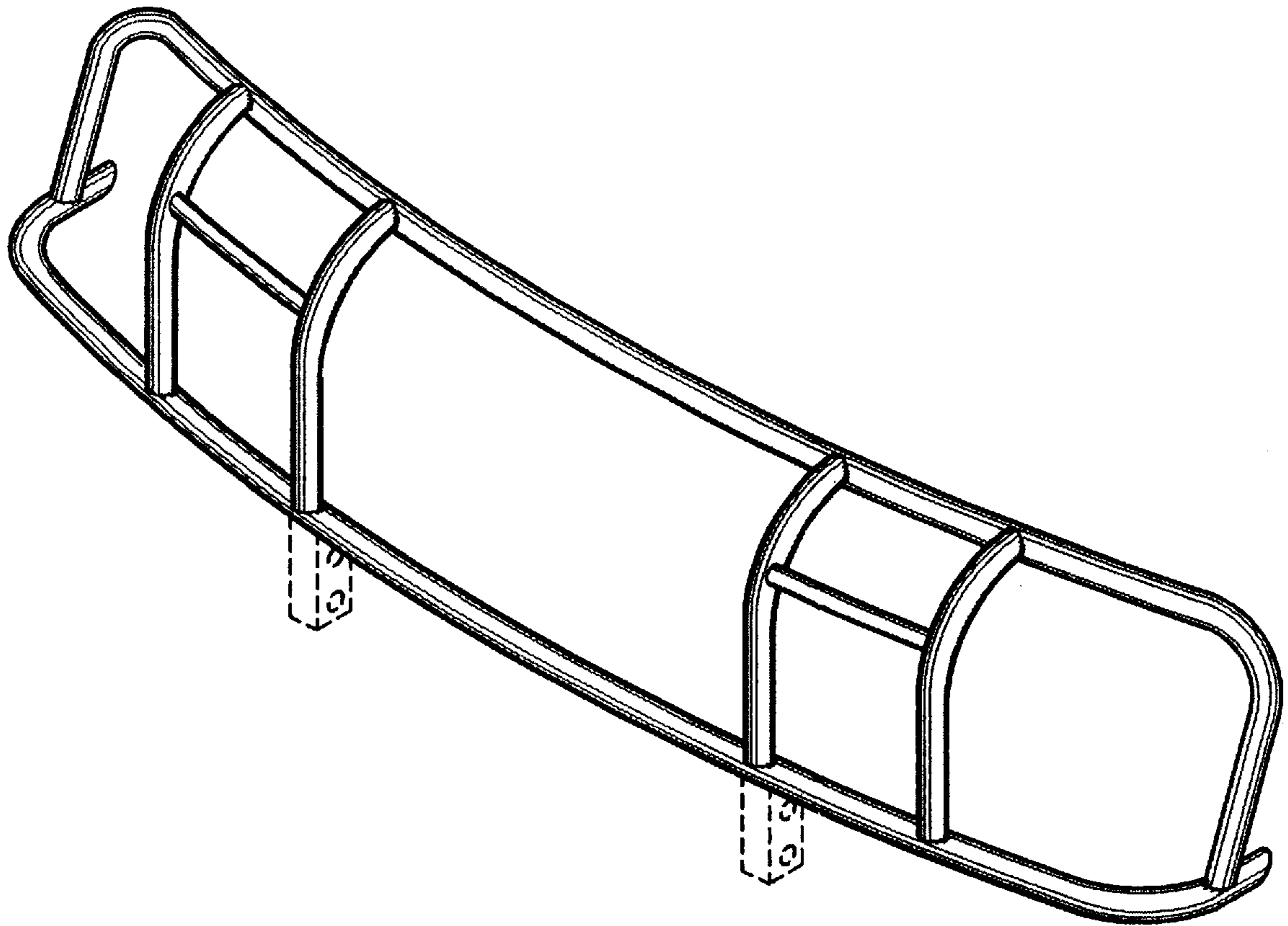


Figure 1

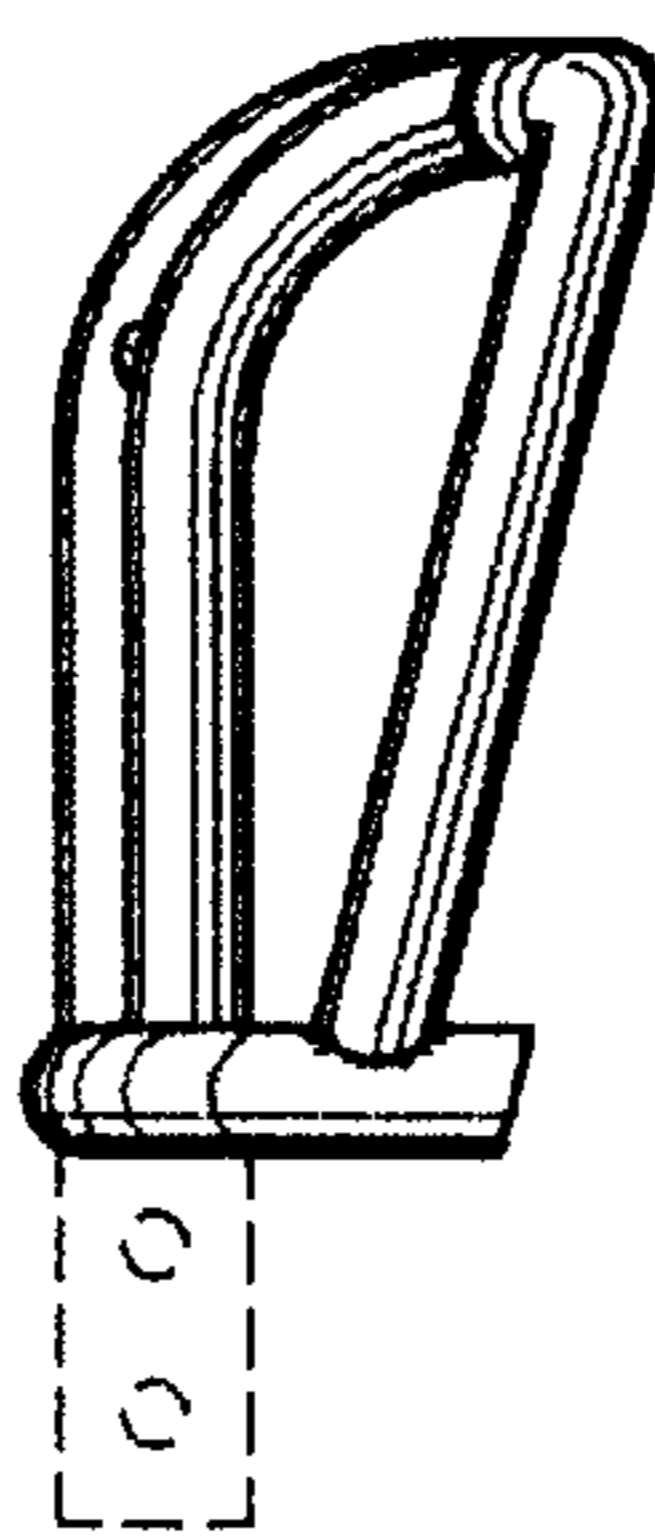


Figure 2



Figure 3

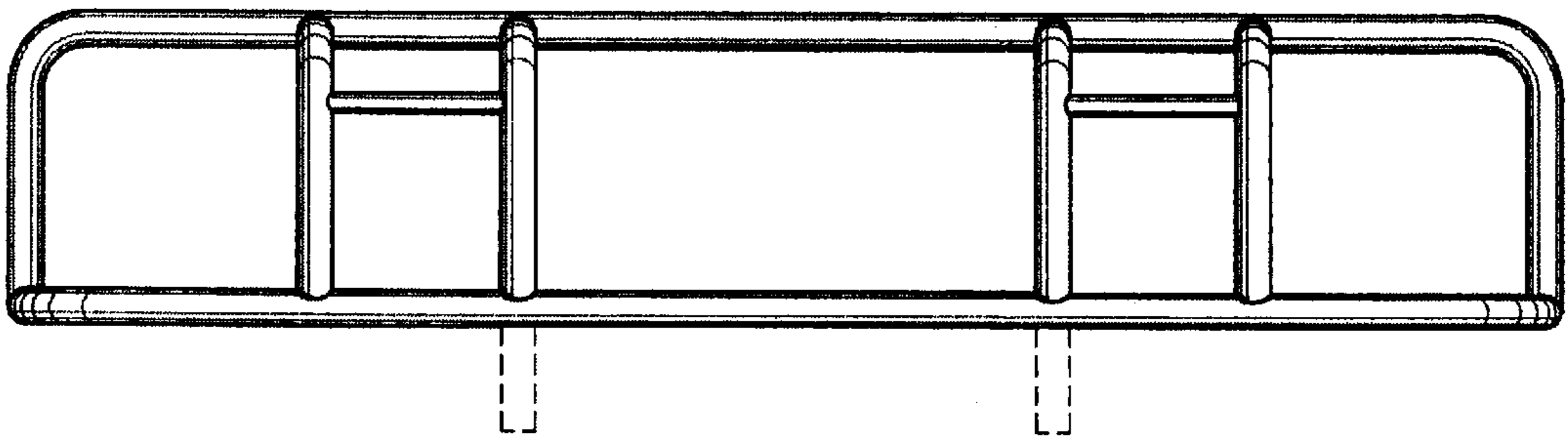


Figure 4

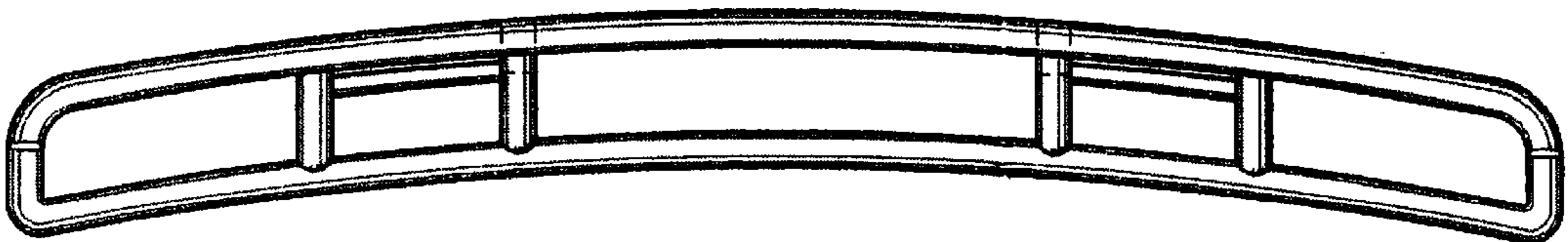


Figure 5

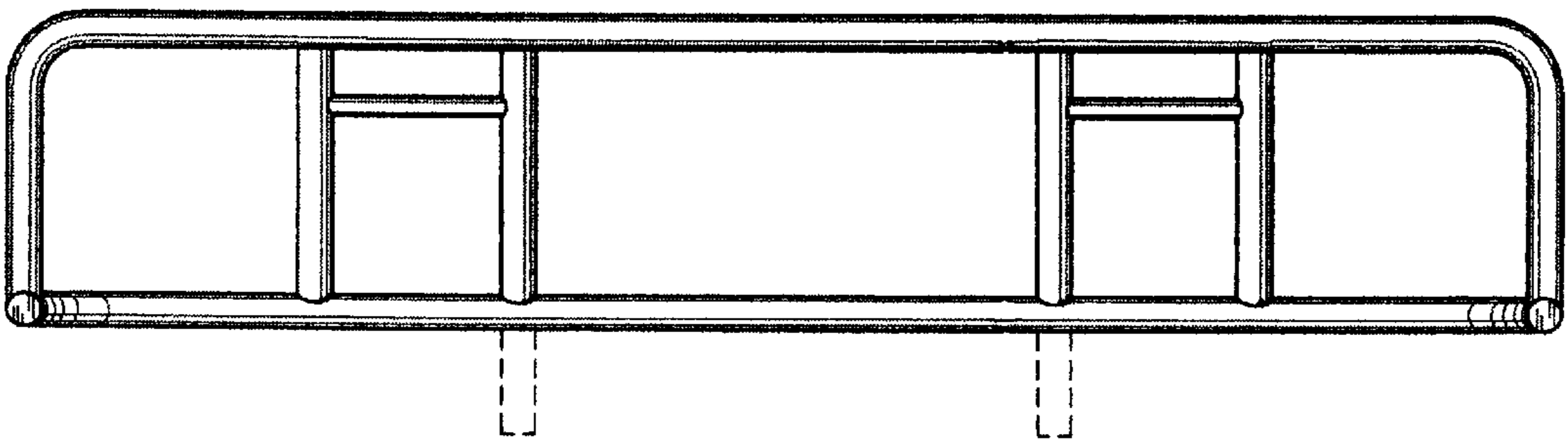


Figure 6