



US00D483706S

(12) **United States Design Patent**
Kato

(10) **Patent No.:** **US D483,706 S**

(45) **Date of Patent:** **** Dec. 16, 2003**

(54) **BUMPER FOR AN AUTOMOBILE**

(75) Inventor: **Shinno Kato**, Aichi-ken (JP)

(73) Assignee: **Toyota Jidosha Kabushiki Kaisha** (JP)

(**) Term: **14 Years**

(21) Appl. No.: **29/176,541**

(22) Filed: **Feb. 24, 2003**

(51) **LOC (7) Cl.** **12-16**

(52) **U.S. Cl.** **D12/169**

(58) **Field of Search** D12/169, 196,
D12/90-92; 296/180.1, 180.2; 293/102,
113, 115, 117, 120

(56) **References Cited**

U.S. PATENT DOCUMENTS

D462,640 S	*	9/2002	Sakae	D12/169
D463,334 S	*	9/2002	Koman	D12/169
D473,499 S	*	4/2003	Tanabe et al.	D12/169
D474,720 S	*	5/2003	Tachibana	D12/169

OTHER PUBLICATIONS

2001 Toyota Camry, Brochure of Camry, Sep. 2001.

2001 Toyota Allion, Brochure of Allion, Dec. 2001.

* cited by examiner

Primary Examiner—Melody N. Brown

(74) *Attorney, Agent, or Firm*—SAIDMAN DesignLaw Group

(57) **CLAIM**

The ornamental design for a bumper for an automobile, as shown and described.

DESCRIPTION

FIG. 1 is a front view of a bumper for an automobile showing my new design;

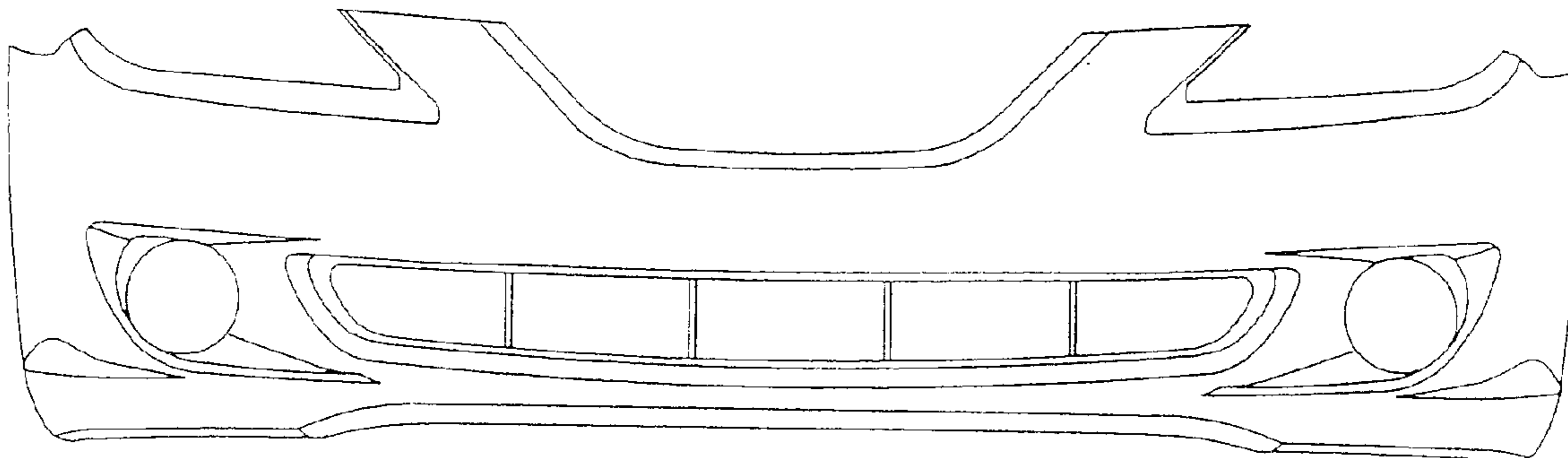
FIG. 2 is a rear view thereof;

FIG. 3 is a top view thereof;

FIG. 4 is a bottom view thereof; and,

FIG. 5 is a right side view thereof, the left side view being a mirror image.

1 Claim, 3 Drawing Sheets



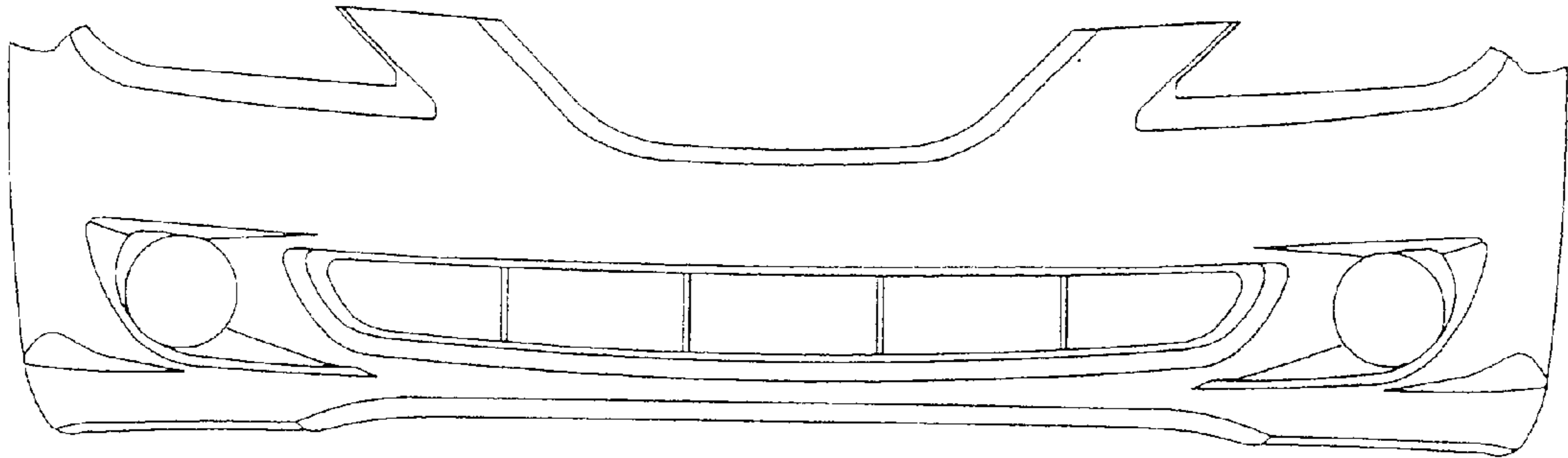


FIG. 1

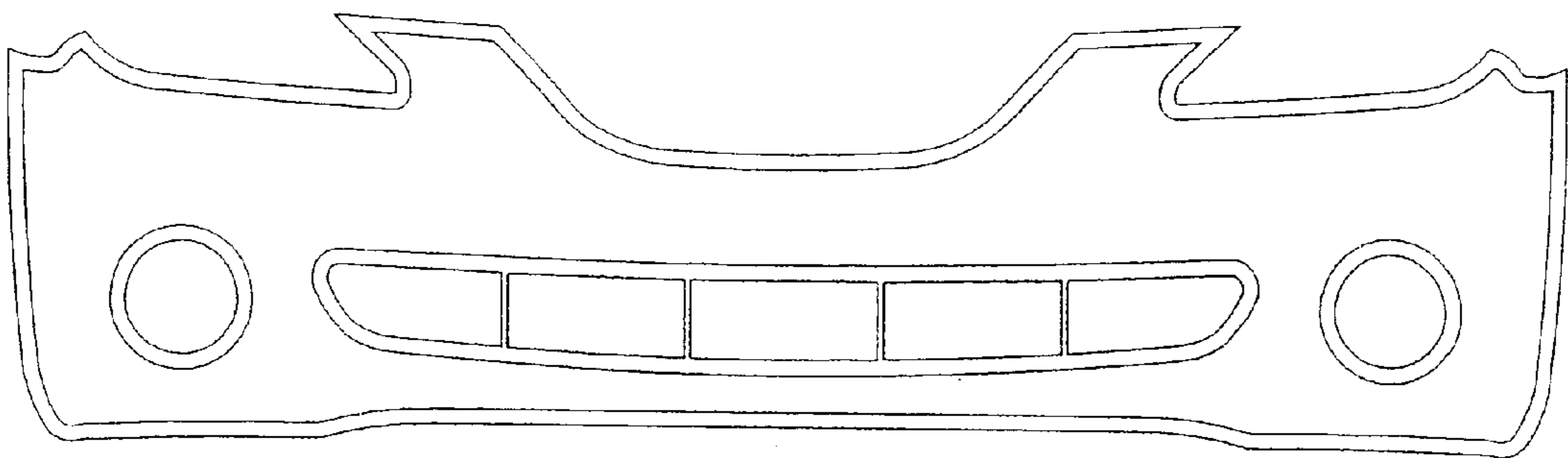


FIG. 2

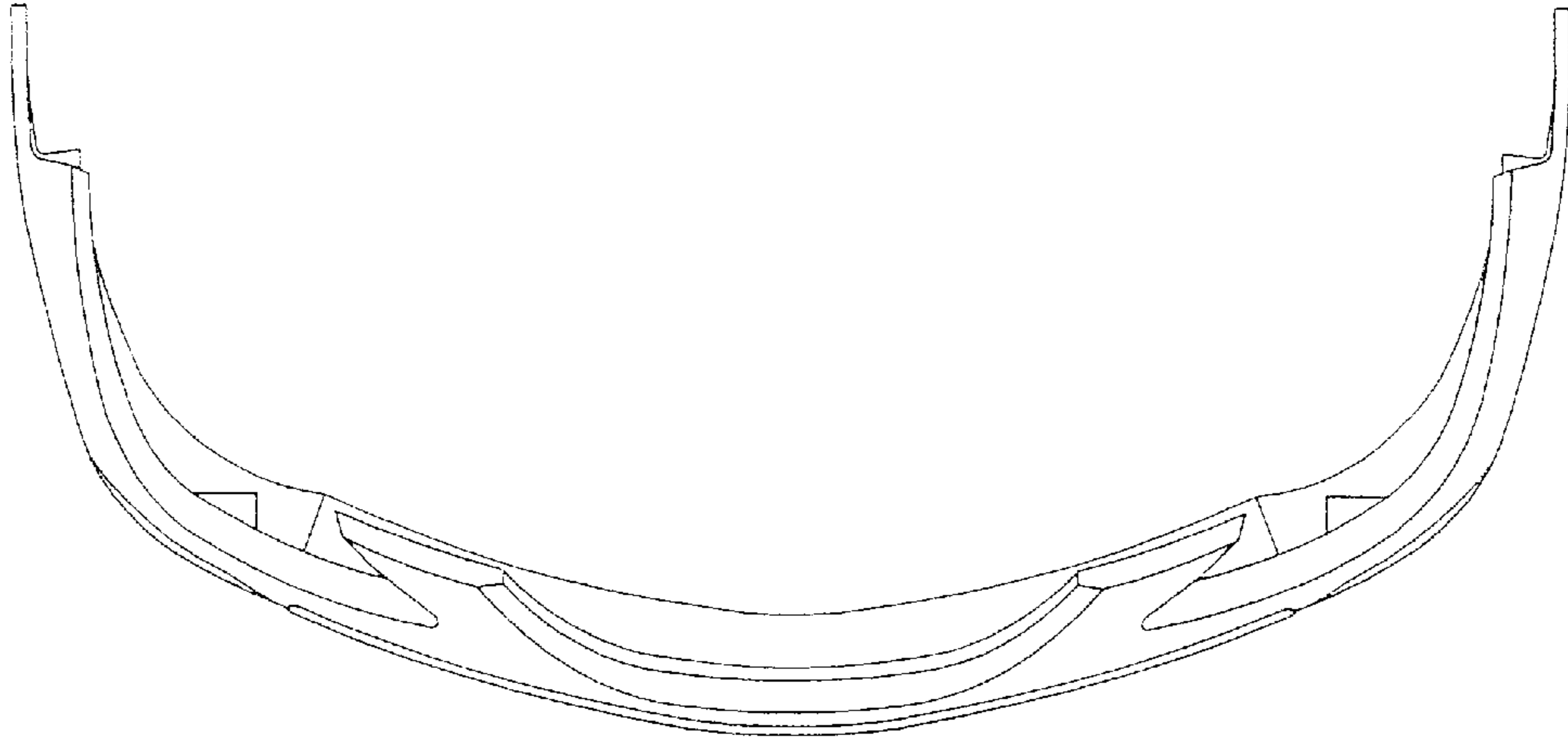


FIG. 3

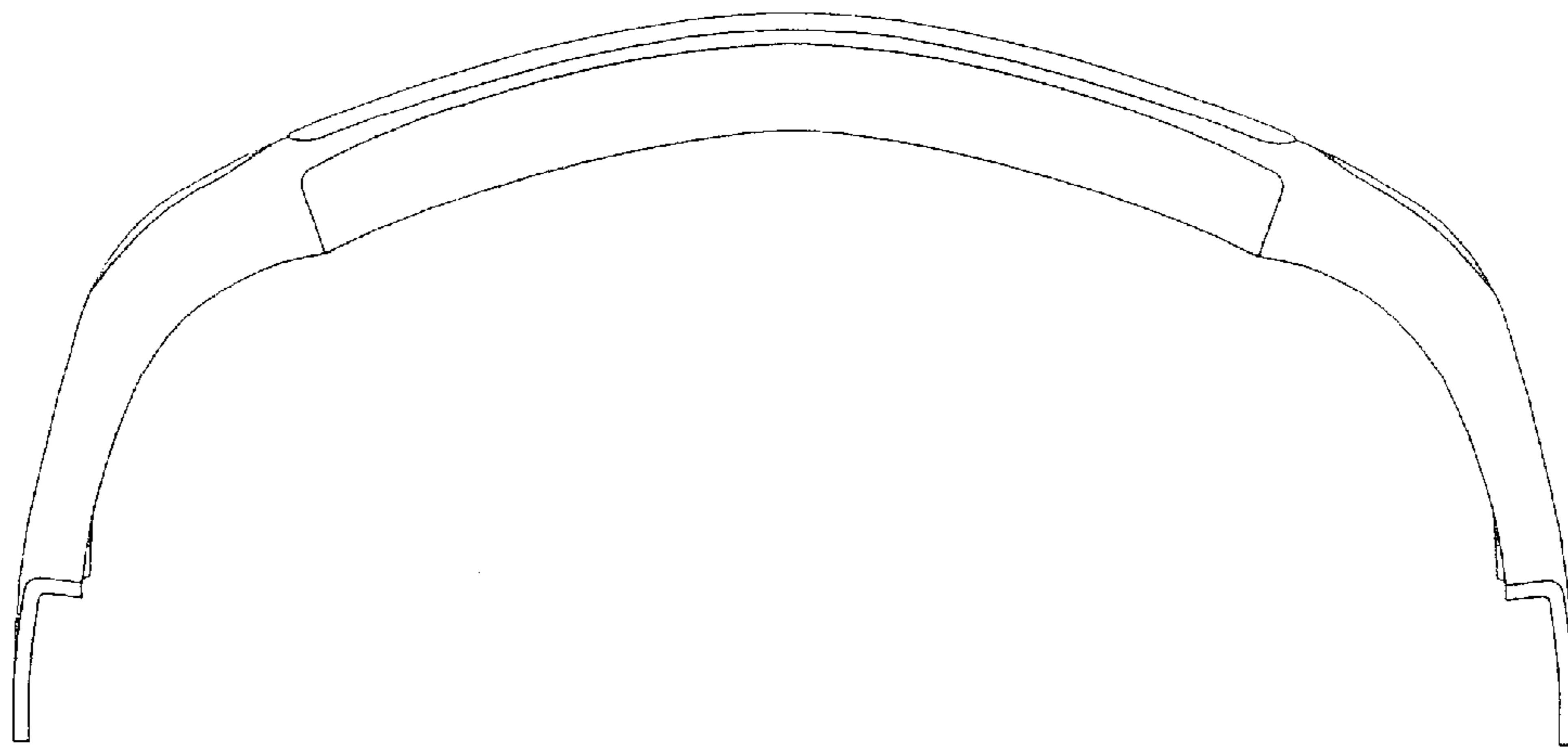


FIG. 4

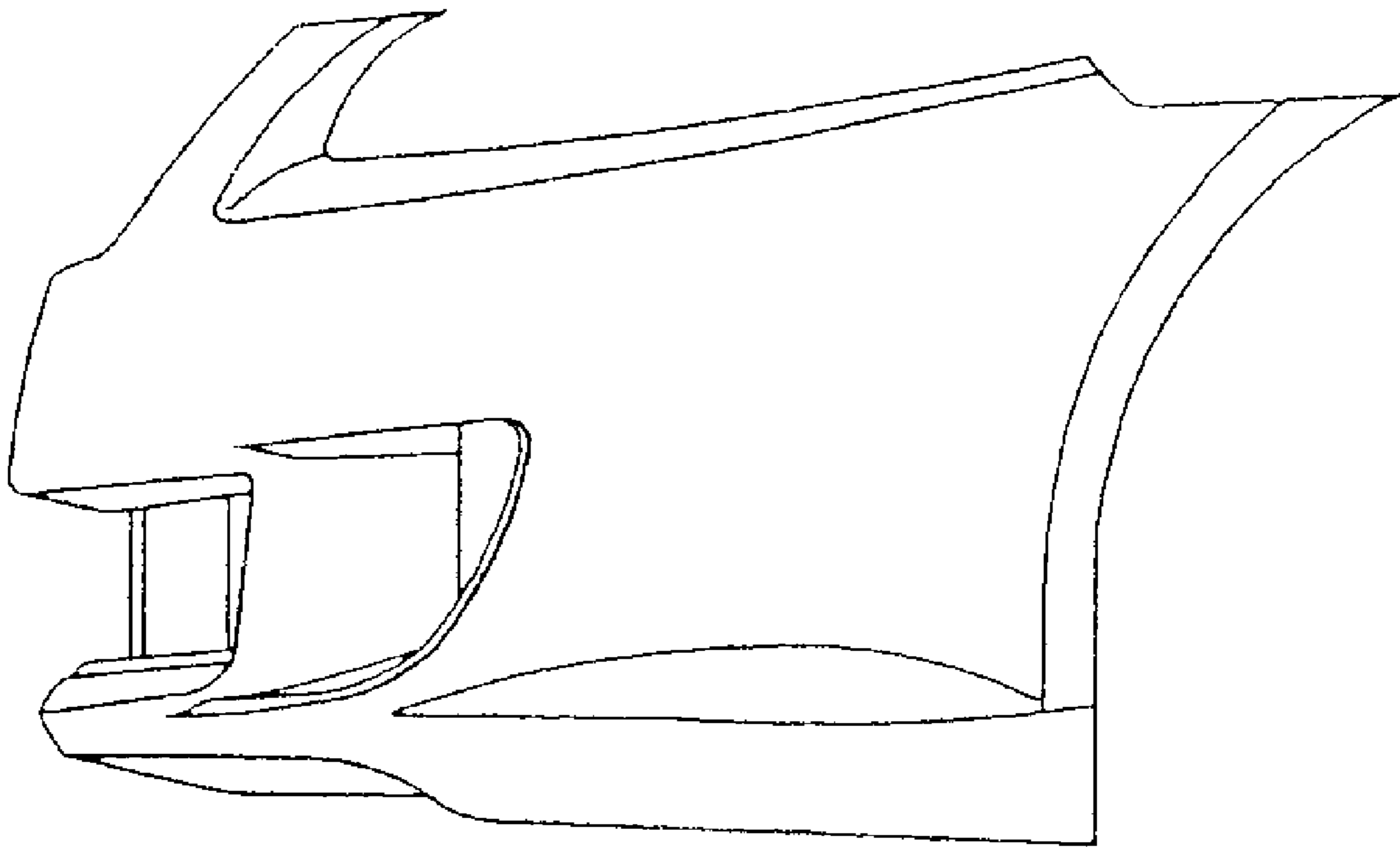


FIG. 5