



US00D483702S

(12) **United States Design Patent**  
**Gilles**

(10) **Patent No.:** **US D483,702 S**

(45) **Date of Patent:** **\*\* Dec. 16, 2003**

(54) **OFFSET HINGE FOR AMBULATORY DEVICE**

(75) Inventor: **Paul Claude Gilles, Amherst, OH (US)**

(73) Assignee: **Invacare Corporation, Elyria, OH (US)**

(\*\*) Term: **14 Years**

(21) Appl. No.: **29/175,126**

(22) Filed: **Jan. 30, 2003**

(51) **LOC (7) Cl.** ..... **12-12**

(52) **U.S. Cl.** ..... **D12/133**

(58) **Field of Search** ..... **D12/128-133;**  
**135/66, 67, 72, 74; 297/6; 280/47.3, 87.051,**  
**755**

(56) **References Cited**

**U.S. PATENT DOCUMENTS**

4,461,471	A	7/1984	Brastow	.....	272/70.3
4,518,002	A	5/1985	Battiston, Sr. et al.	.....	135/67
D310,646	S	9/1990	Rose	.....	D12/130
5,201,333	A	4/1993	Shalmon et al.	.....	135/67
5,529,425	A	6/1996	Spies et al.	.....	403/322
D373,555	S *	9/1996	Ward et al.	.....	D12/133
5,882,067	A	3/1999	Carbajal et al.	.....	297/6
D413,842	S *	9/1999	Garven, Jr.	.....	D12/133
5,979,476	A	11/1999	Cranny	.....	135/67
D423,993	S *	5/2000	Slagerman	.....	D12/133
6,371,142	B1	4/2002	Battiston	.....	135/67

\* cited by examiner

*Primary Examiner*—Marcus A. Jackson

(74) *Attorney, Agent, or Firm*—Calfee Halter & Griswold LLP

(57) **CLAIM**

We claim the ornamental design for a offset hinge for ambulatory device, as shown and described.

**DESCRIPTION**

FIG. 1 is a front/right/top perspective view of a first embodiment of the offset hinge for ambulatory device.

FIG. 2 is a front elevational view of the first embodiment of the offset hinge for ambulatory device.

FIG. 3 is a rear elevational view of the first embodiment of the offset hinge for ambulatory device.

FIG. 4 is a top plan view of the first embodiment of the offset hinge for ambulatory device.

FIG. 5 is a bottom plan view of the first embodiment of the offset hinge for ambulatory device.

FIG. 6 is a right side elevational view of the first embodiment of the offset hinge for ambulatory device.

FIG. 7 is a left side elevational view of the first embodiment of the offset hinge for ambulatory device.

FIG. 8 is a front/right/top perspective view of a second embodiment of the offset hinge for ambulatory device.

FIG. 9 is a front elevational view of the second embodiment of the offset hinge for ambulatory device.

FIG. 10 is a rear elevational view of the second embodiment of the offset hinge for ambulatory device.

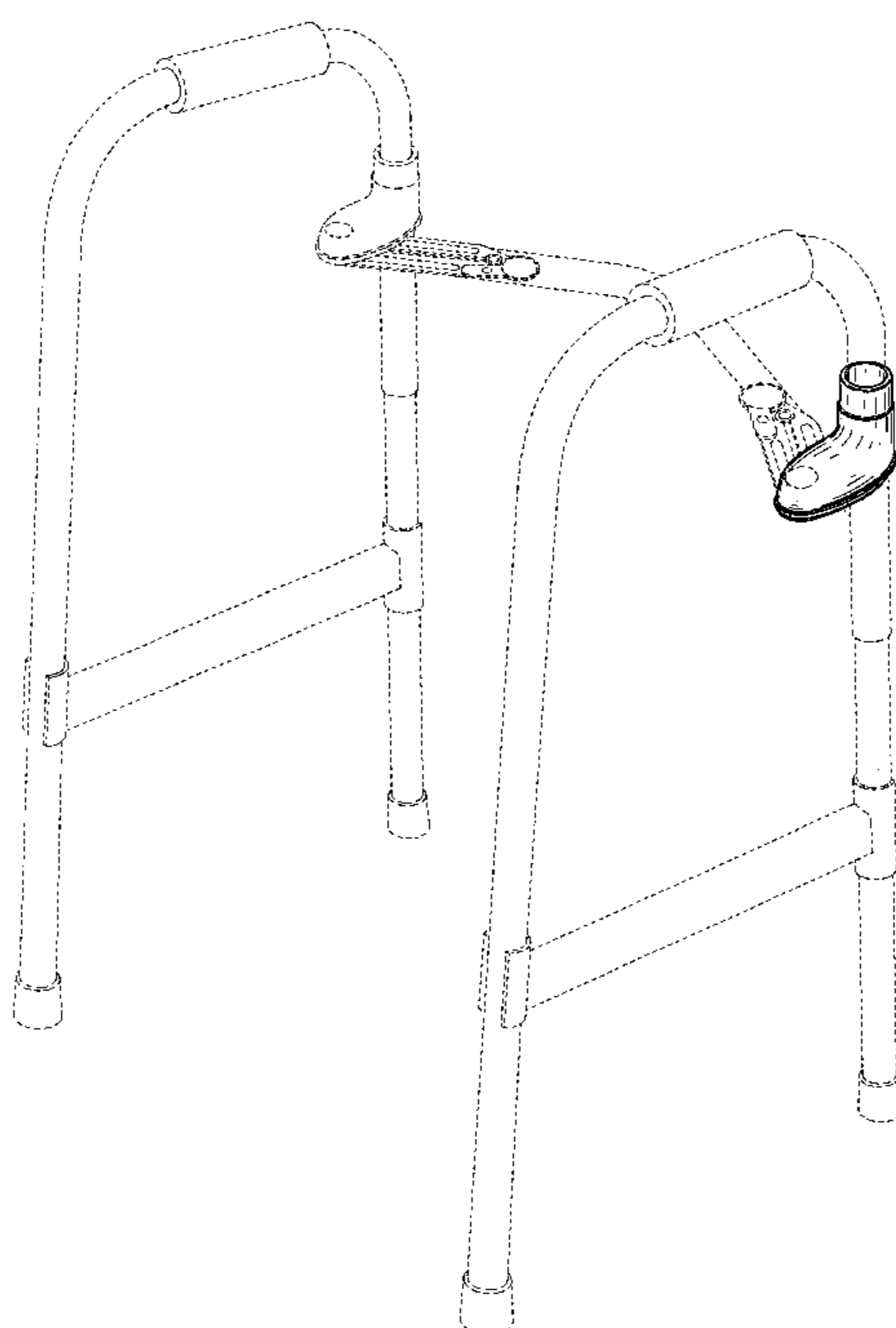
FIG. 11 is a left side elevational view of the second embodiment of the offset hinge for ambulatory device; the right side is a mirror image.

FIG. 12 is a top plan view of the second embodiment of the offset hinge for ambulatory device; and,

FIG. 13 is a bottom plan view of the second embodiment of the offset hinge for ambulatory device.

The broken line showings in the drawings are for illustrative purposes only and form no part of the claimed design.

**1 Claim, 5 Drawing Sheets**



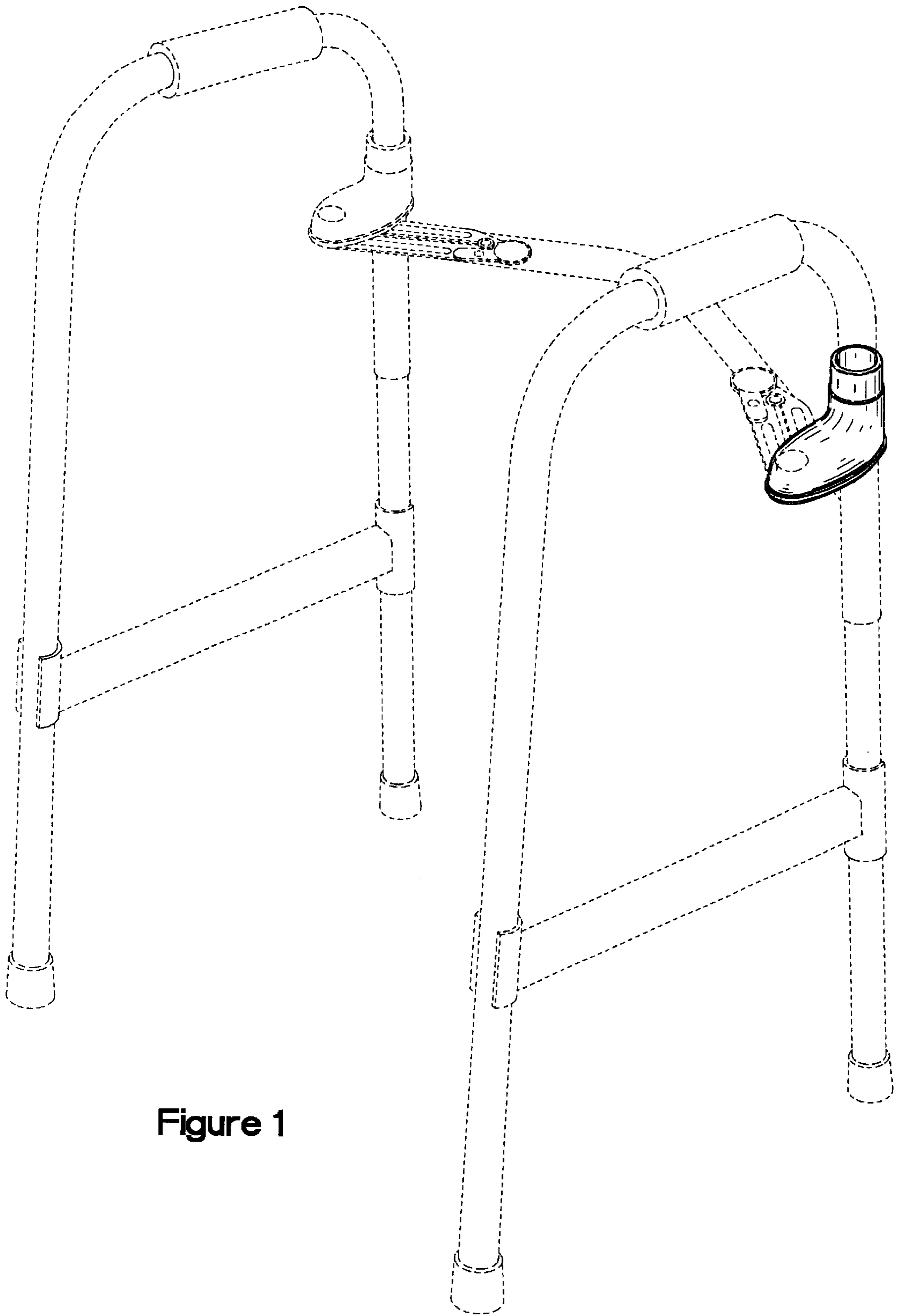


Figure 1

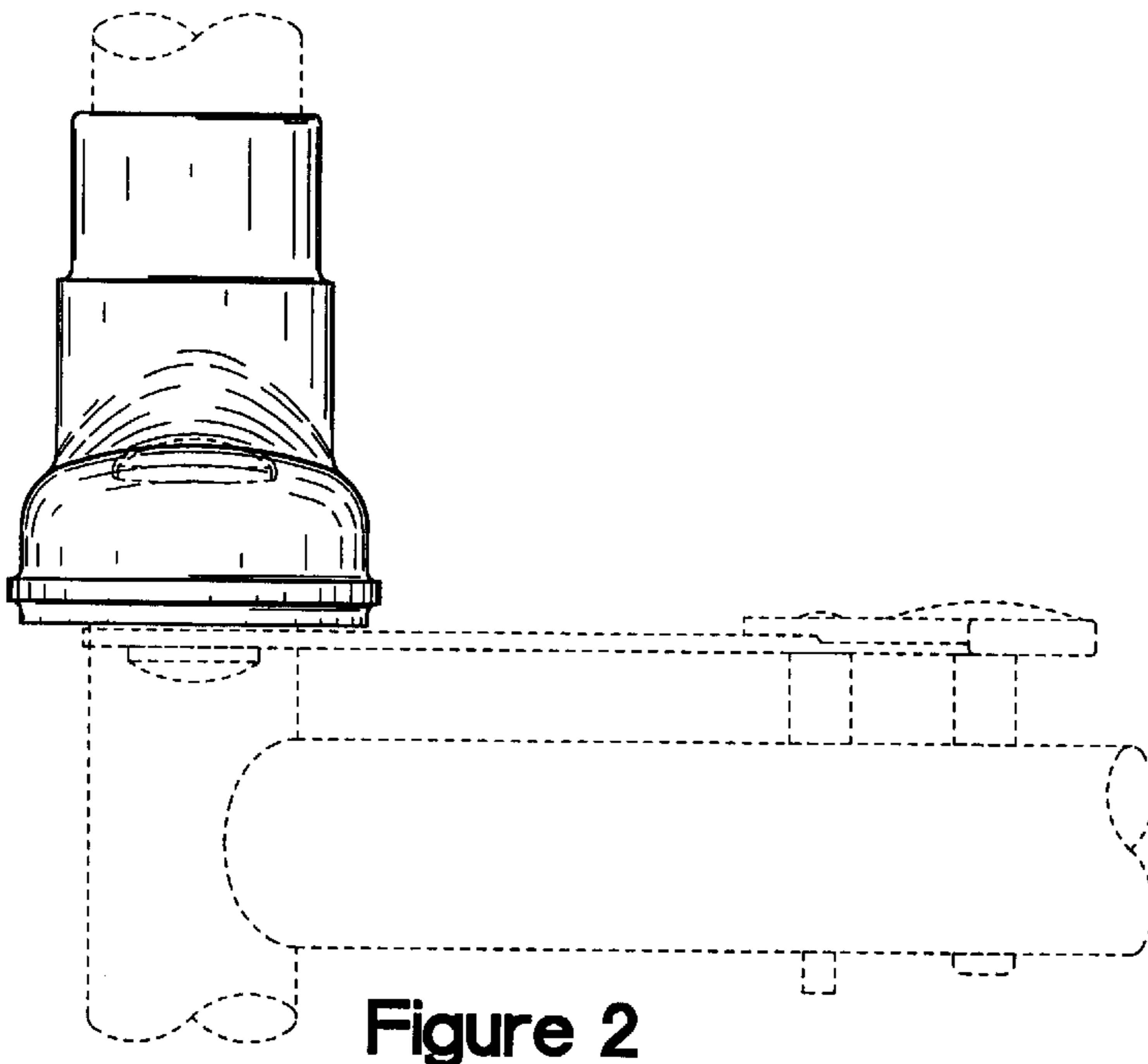


Figure 2

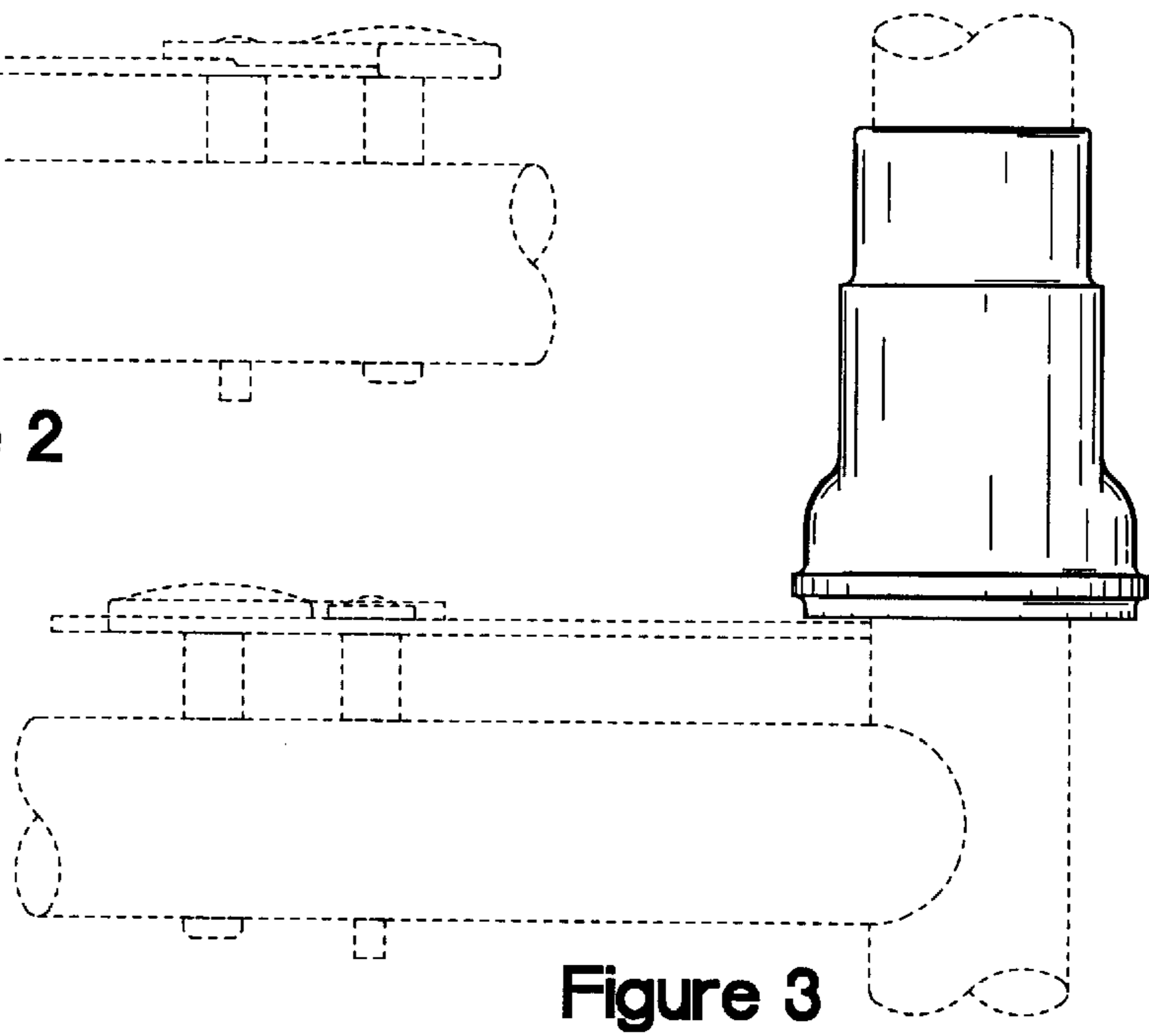


Figure 3

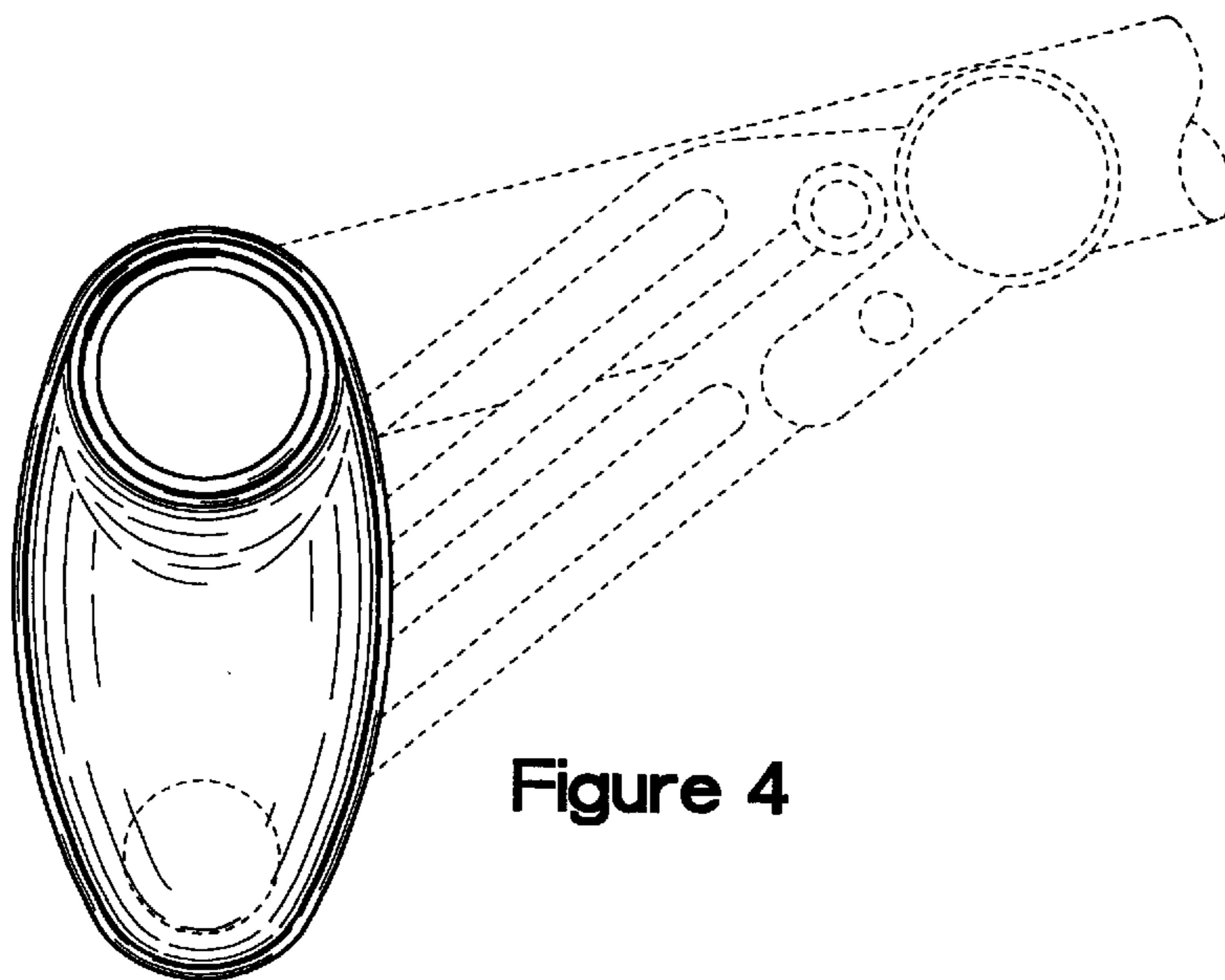
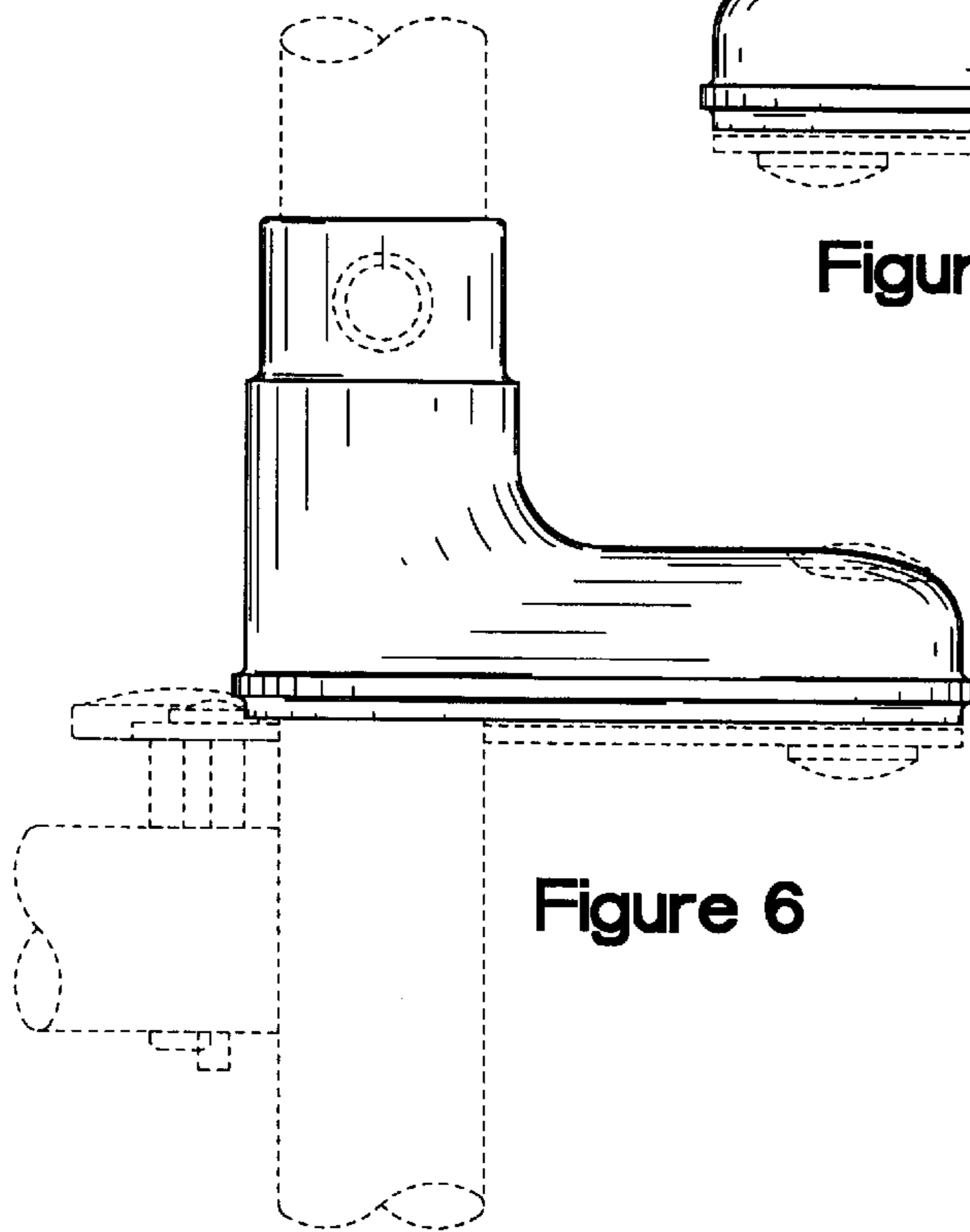
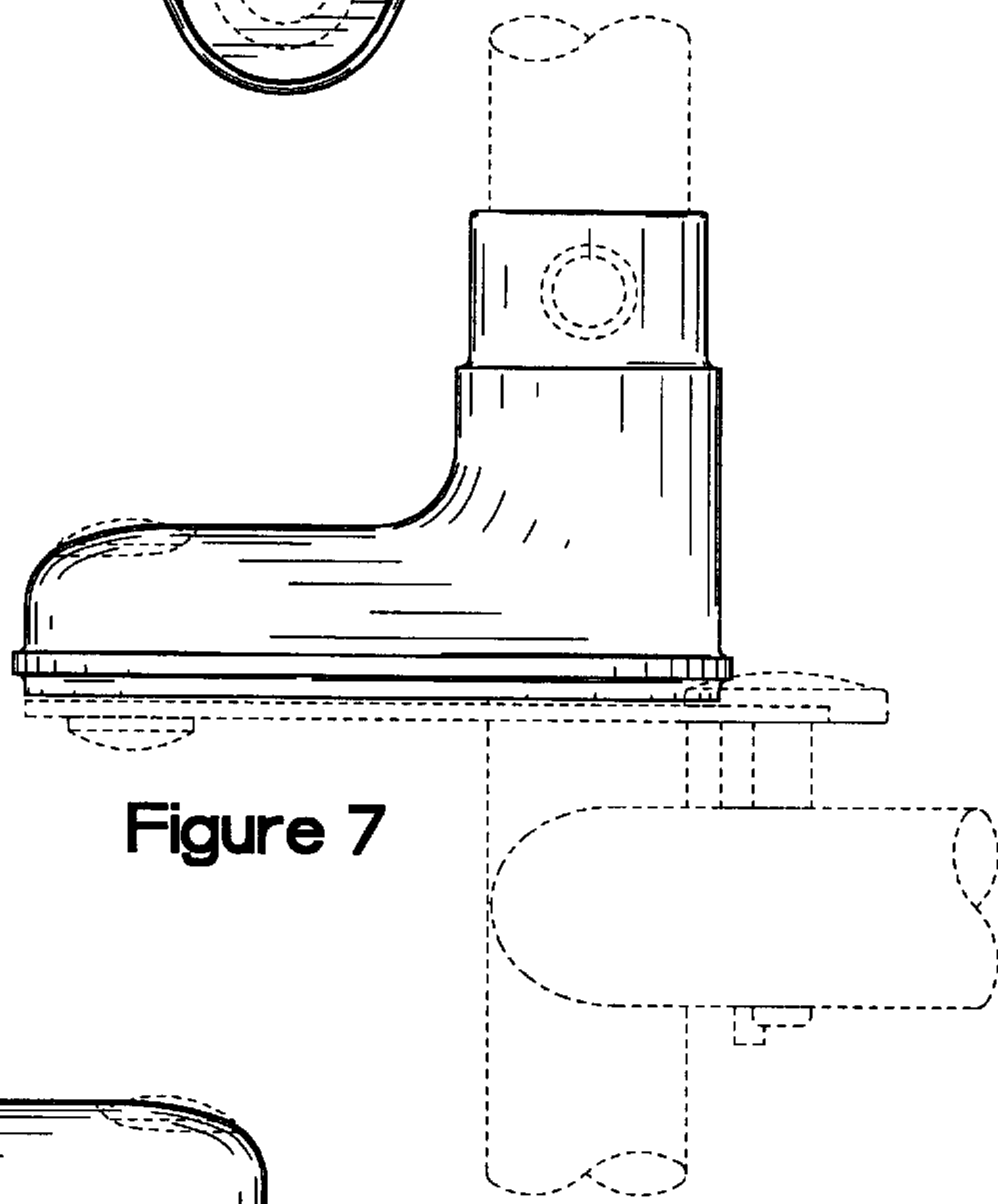
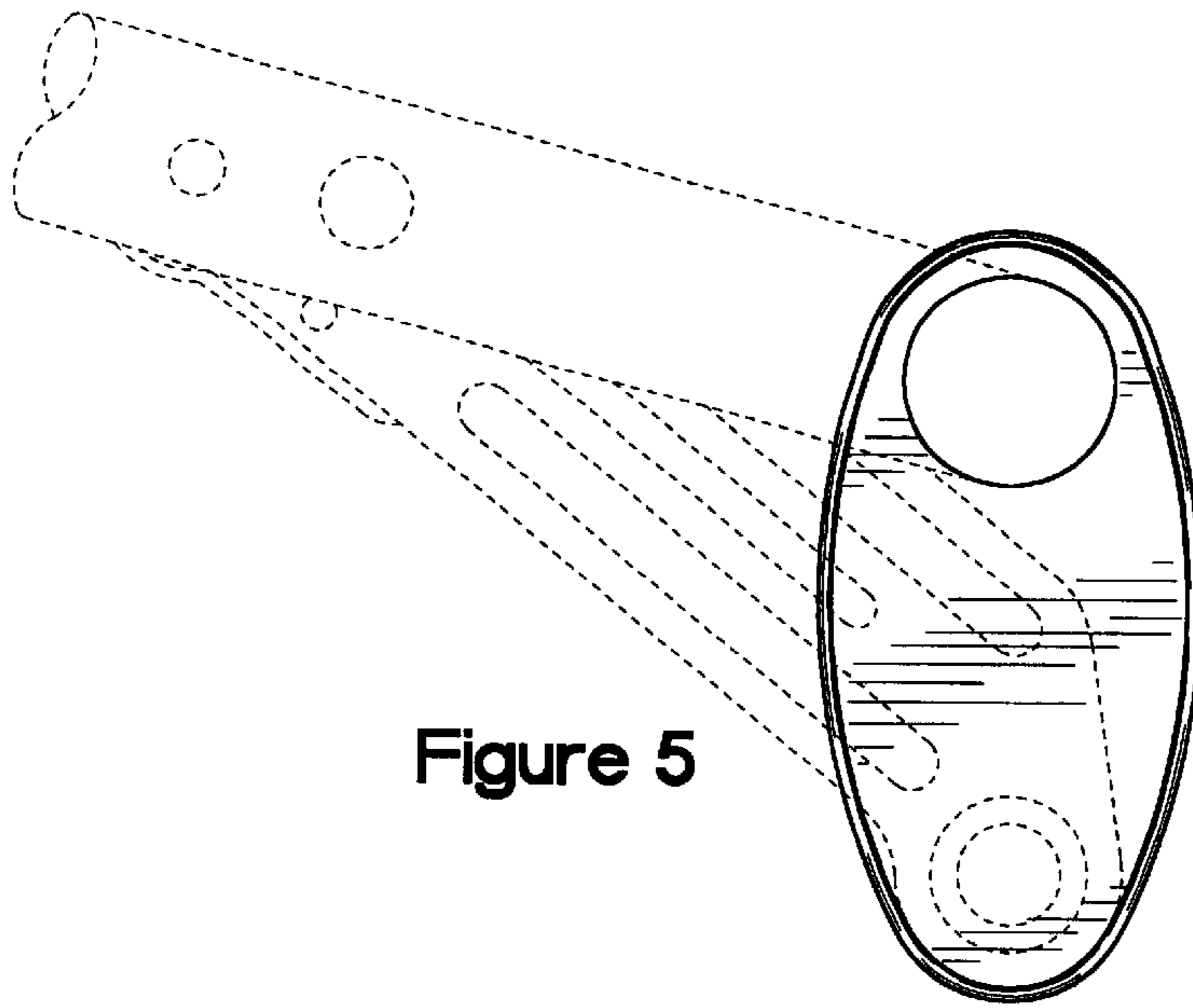


Figure 4



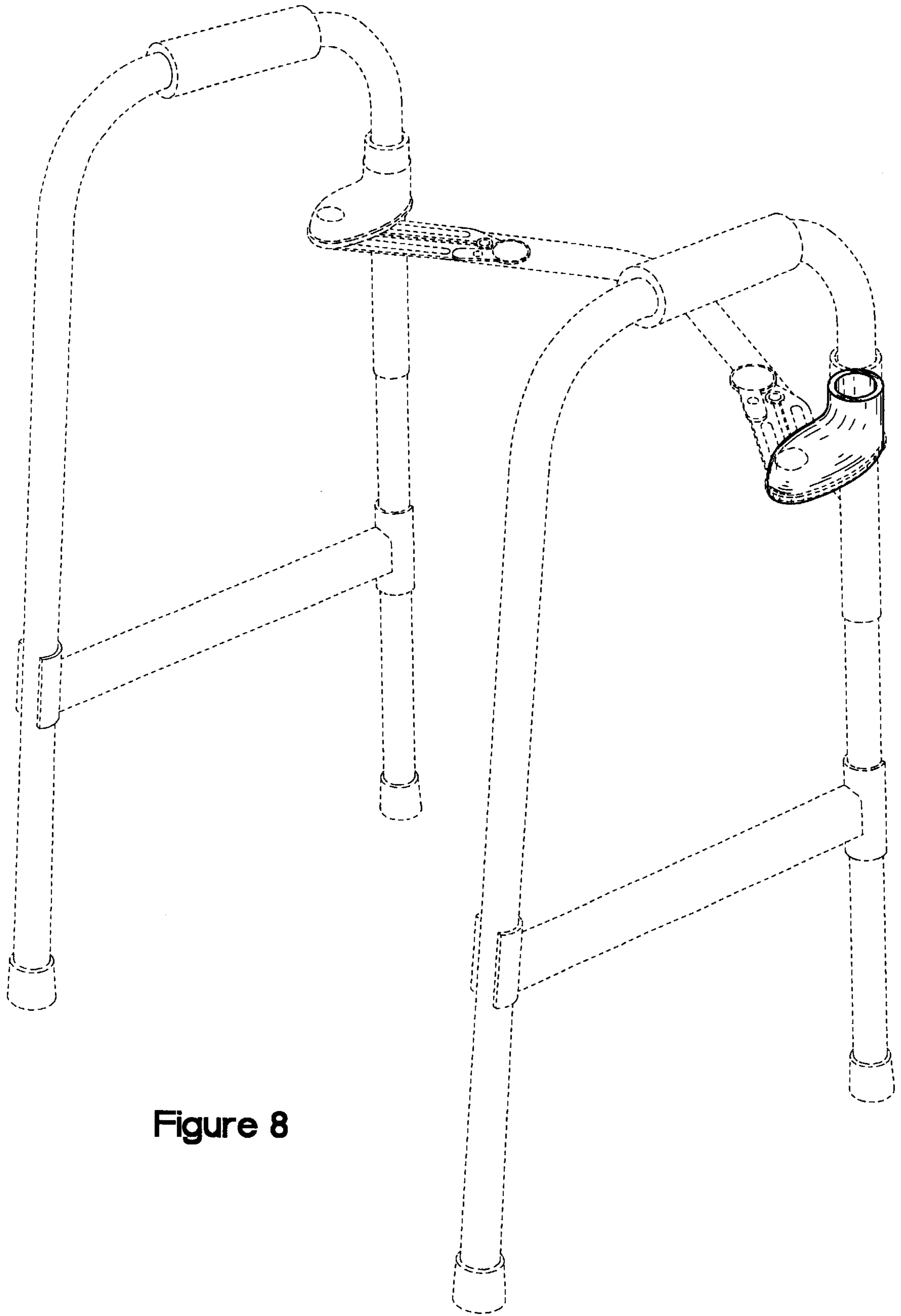


Figure 8

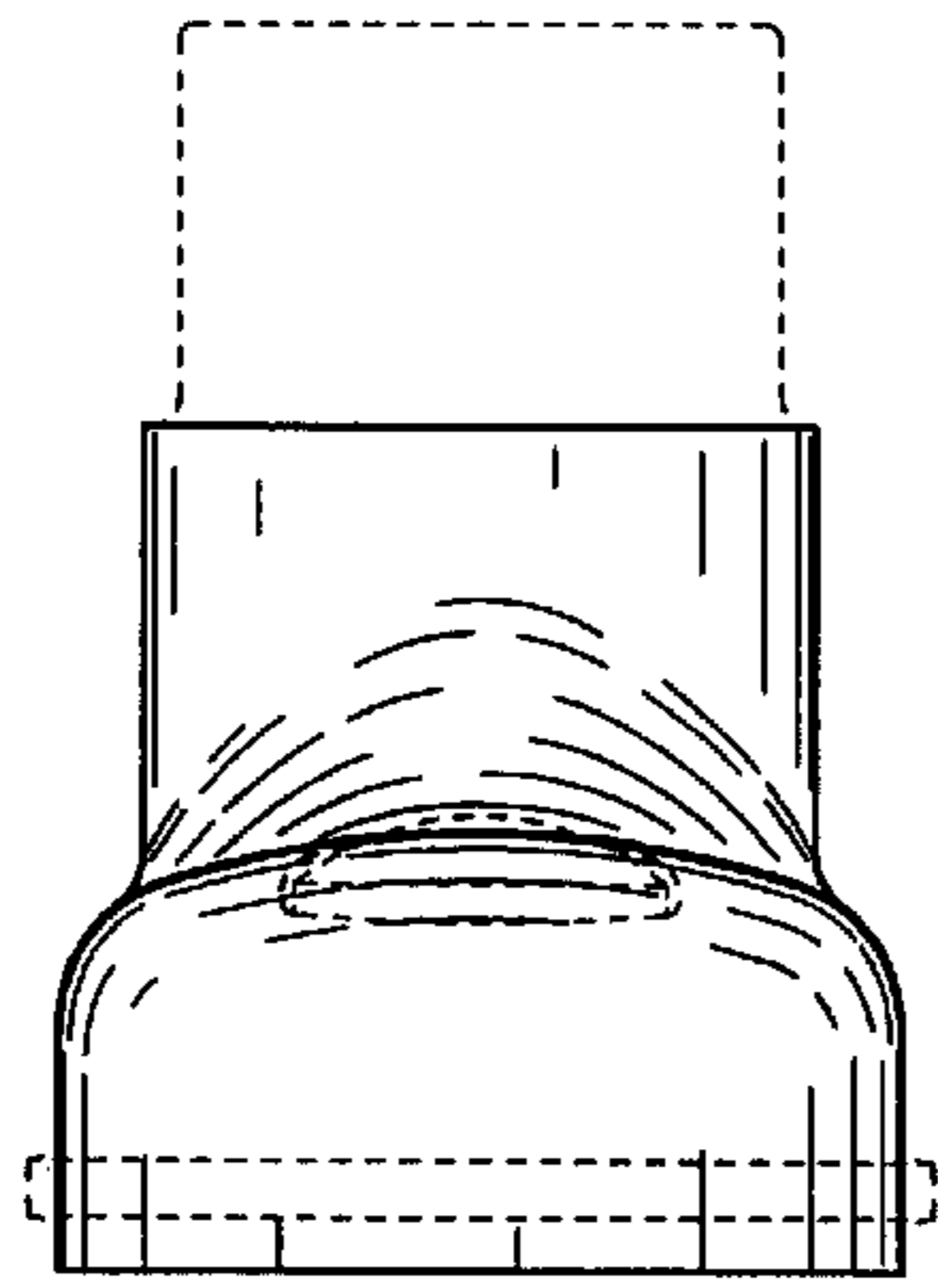


Figure 9

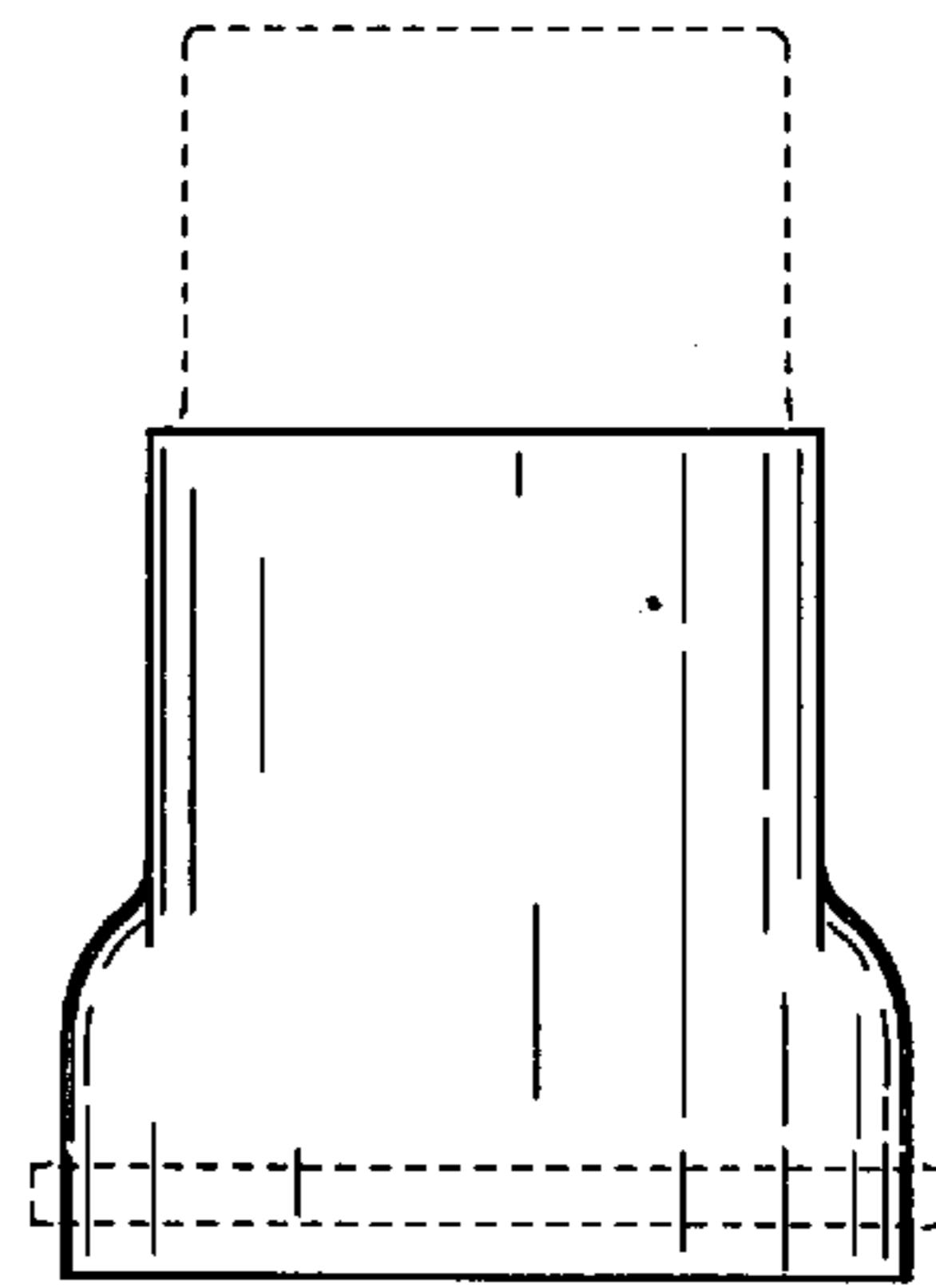


Figure 10

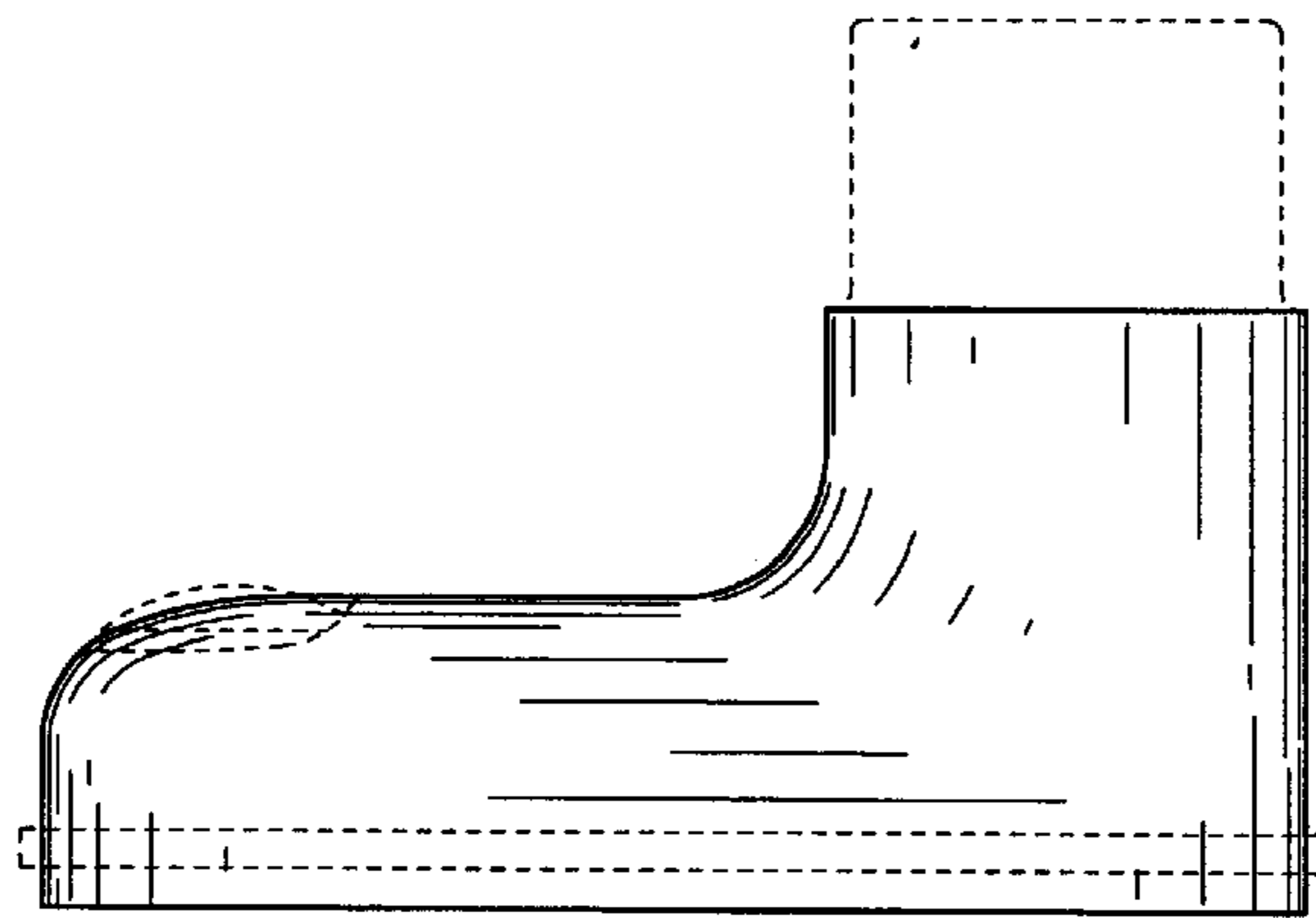


Figure 11

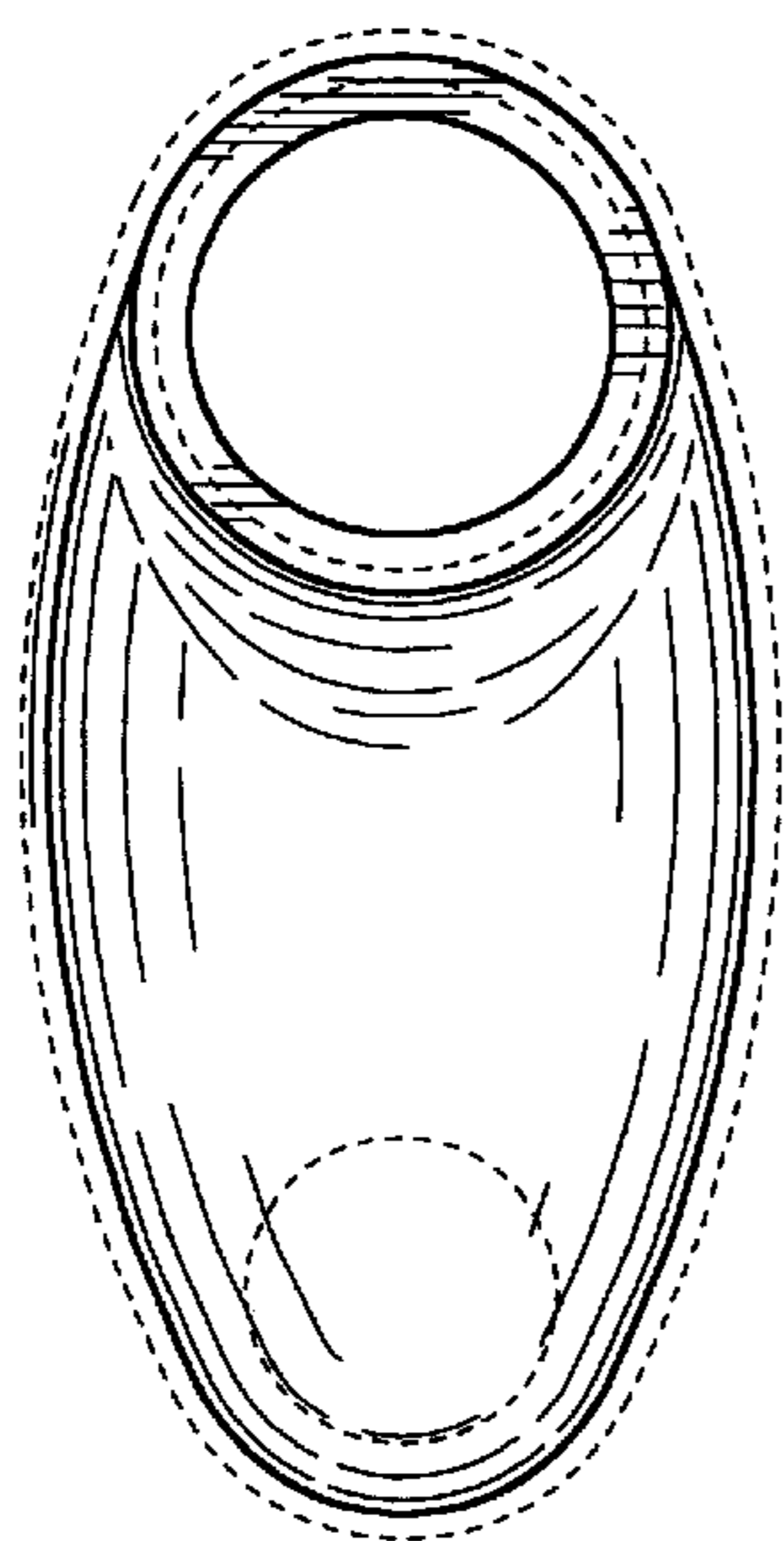


Figure 12

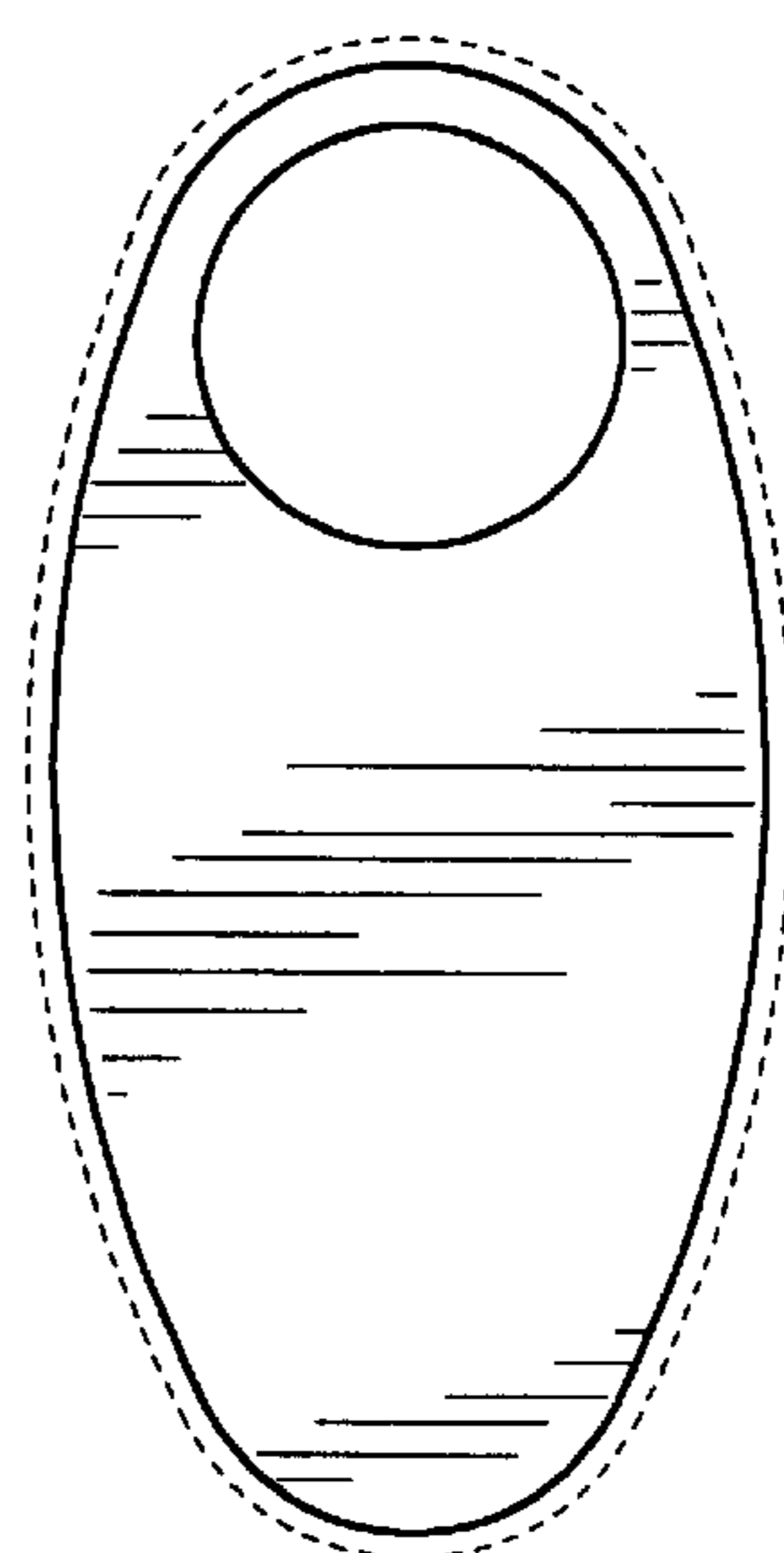


Figure 13