



US00D483701S

(12) **United States Design Patent**  
**Bazan**

(10) **Patent No.:** **US D483,701 S**

(45) **Date of Patent:** **\*\* Dec. 16, 2003**

(54) **STRETCHER**

D364,971 S \* 12/1995 Sterlacci ..... D12/131  
D454,319 S \* 3/2002 Ito ..... D12/131

(76) Inventor: **Francisco Bazan**, 11511 Early Mist,  
Houston, TX (US) 77064

\* cited by examiner

(\*\*) Term: **14 Years**

*Primary Examiner*—Marcus A. Jackson

(21) Appl. No.: **29/180,322**

(57) **CLAIM**

(22) Filed: **Apr. 23, 2003**

The ornamental design for a stretcher, as shown and described.

(51) **LOC (7) Cl.** ..... **12-12**

**DESCRIPTION**

(52) **U.S. Cl.** ..... **D12/128**

(58) **Field of Search** ..... D12/128-133;  
5/81.1, 83.1, 86.1, 428, 618, 620; 280/250.1;  
297/DIG. 4

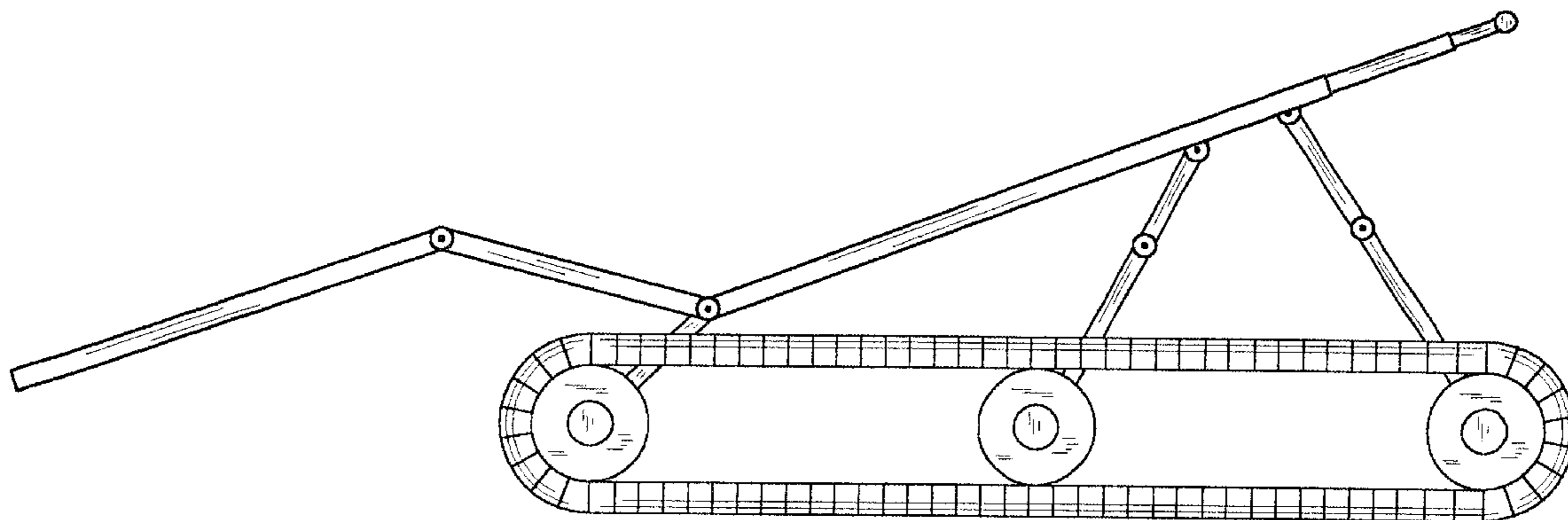
FIG. 1 is a side view of a stretcher showing my new design.  
FIG. 2 is a front view of the stretcher.  
FIG. 3 is a back view of the stretcher.  
FIG. 4 is a top view of the stretcher; and,  
FIG. 5 is a bottom view of the stretcher.

(56) **References Cited**

**U.S. PATENT DOCUMENTS**

D356,527 S \* 3/1995 Wohnsen et al. .... D12/131

**1 Claim, 3 Drawing Sheets**



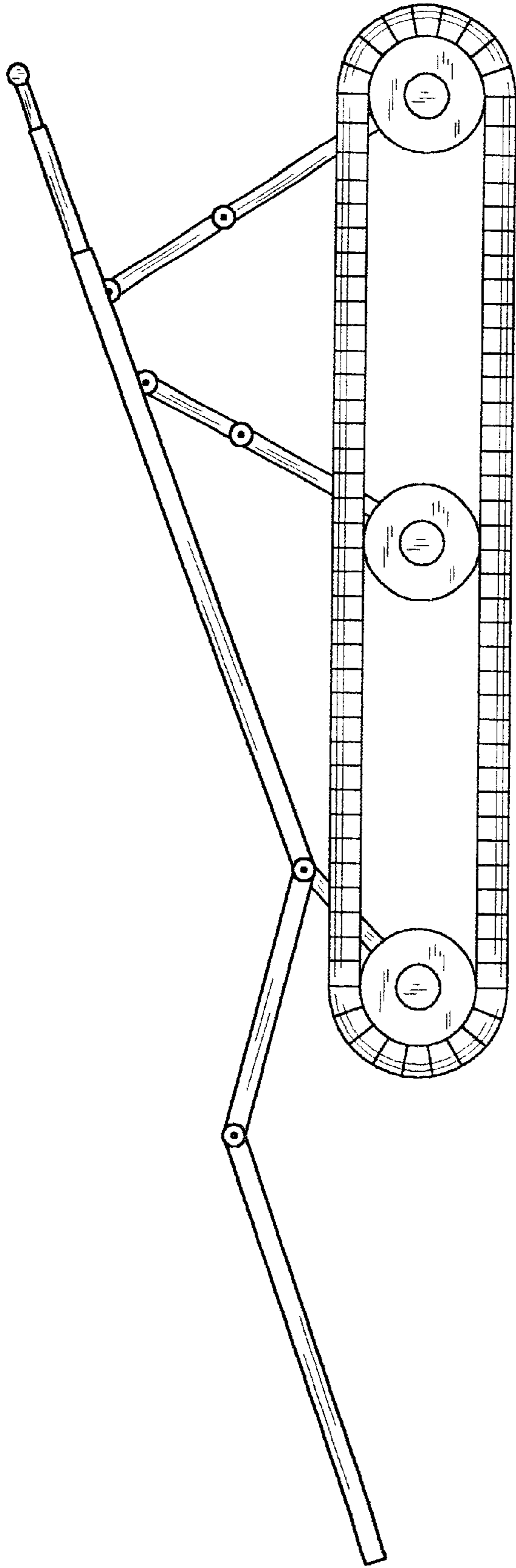


FIG. 1

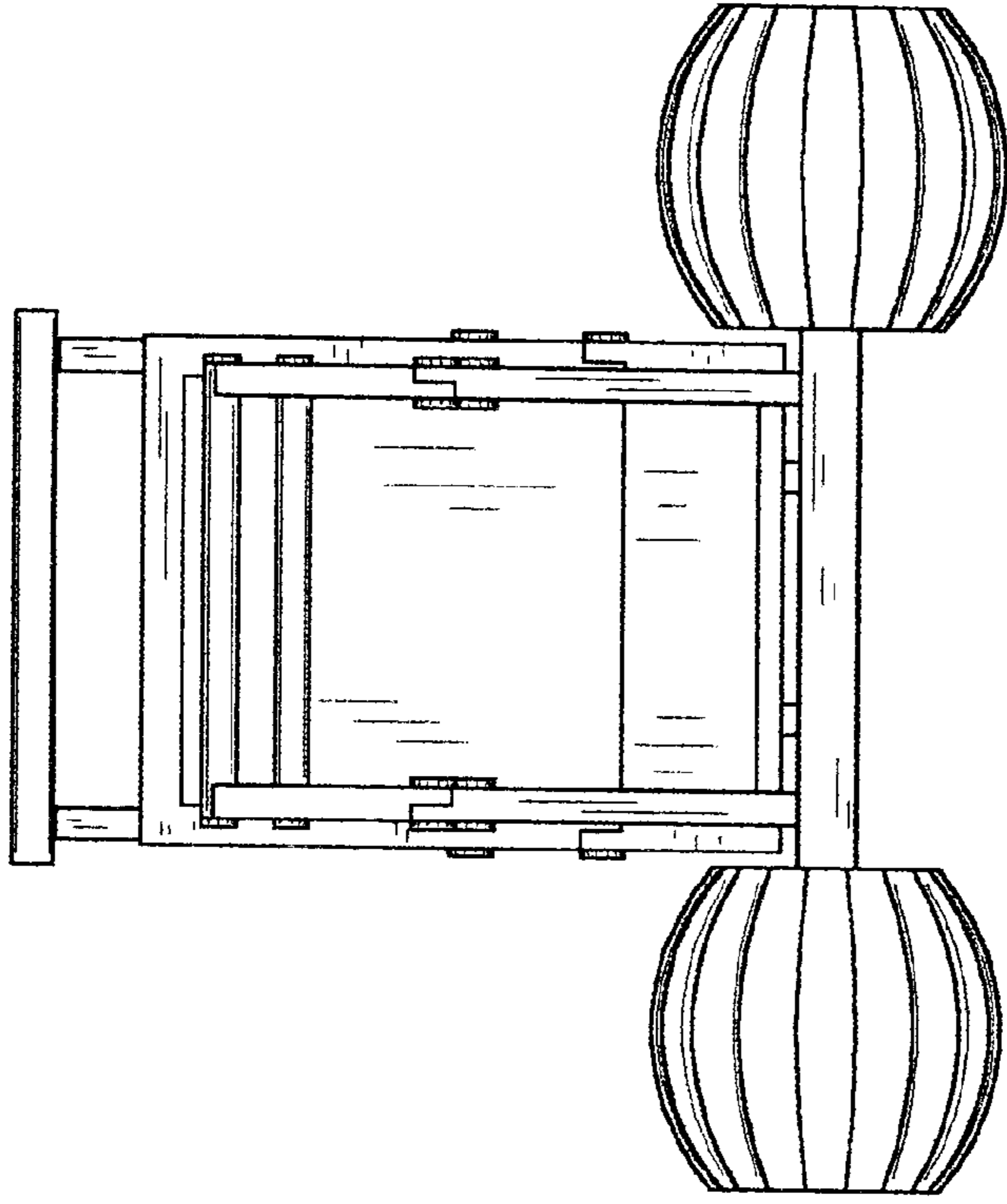


FIG. 2

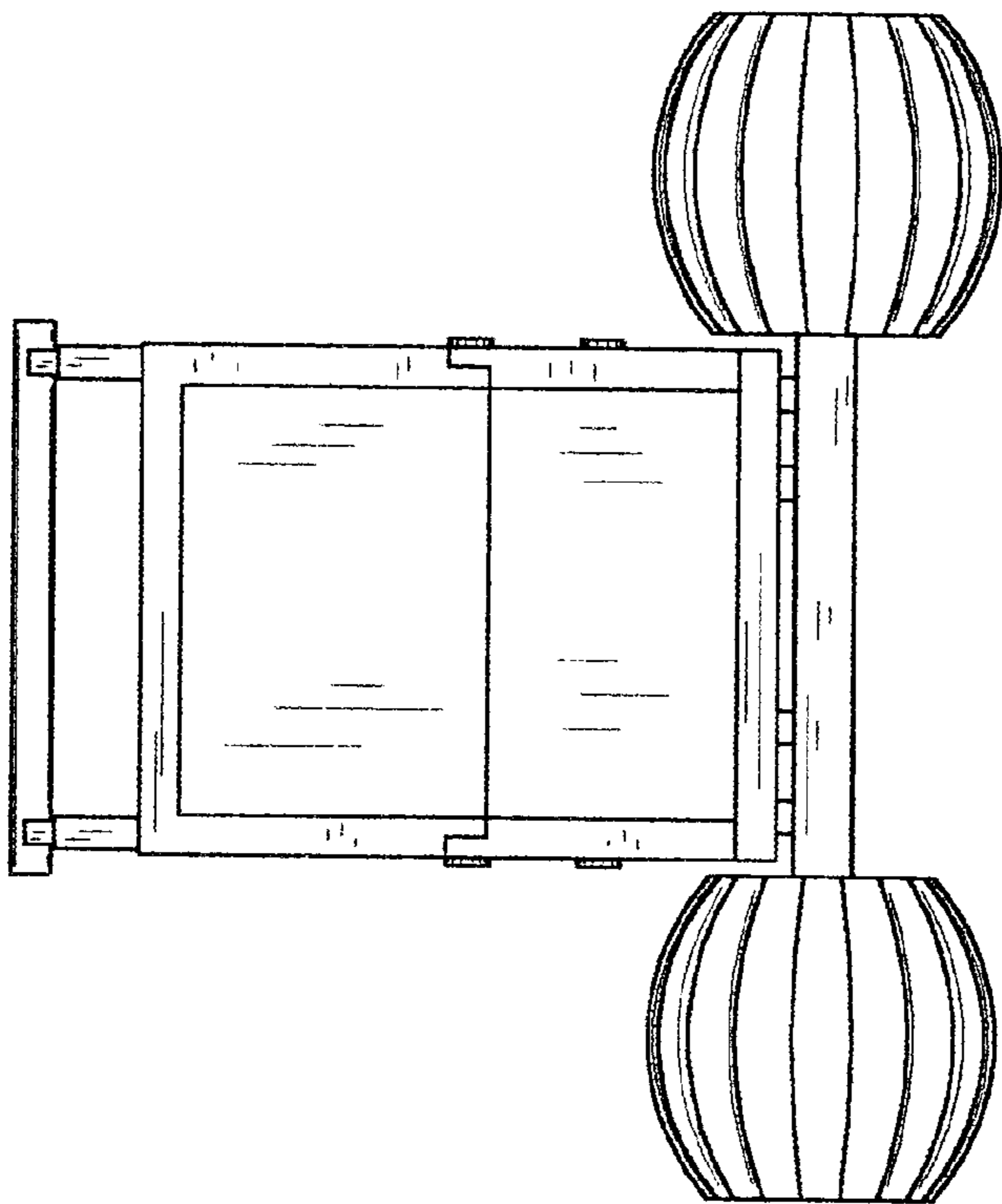


FIG. 3

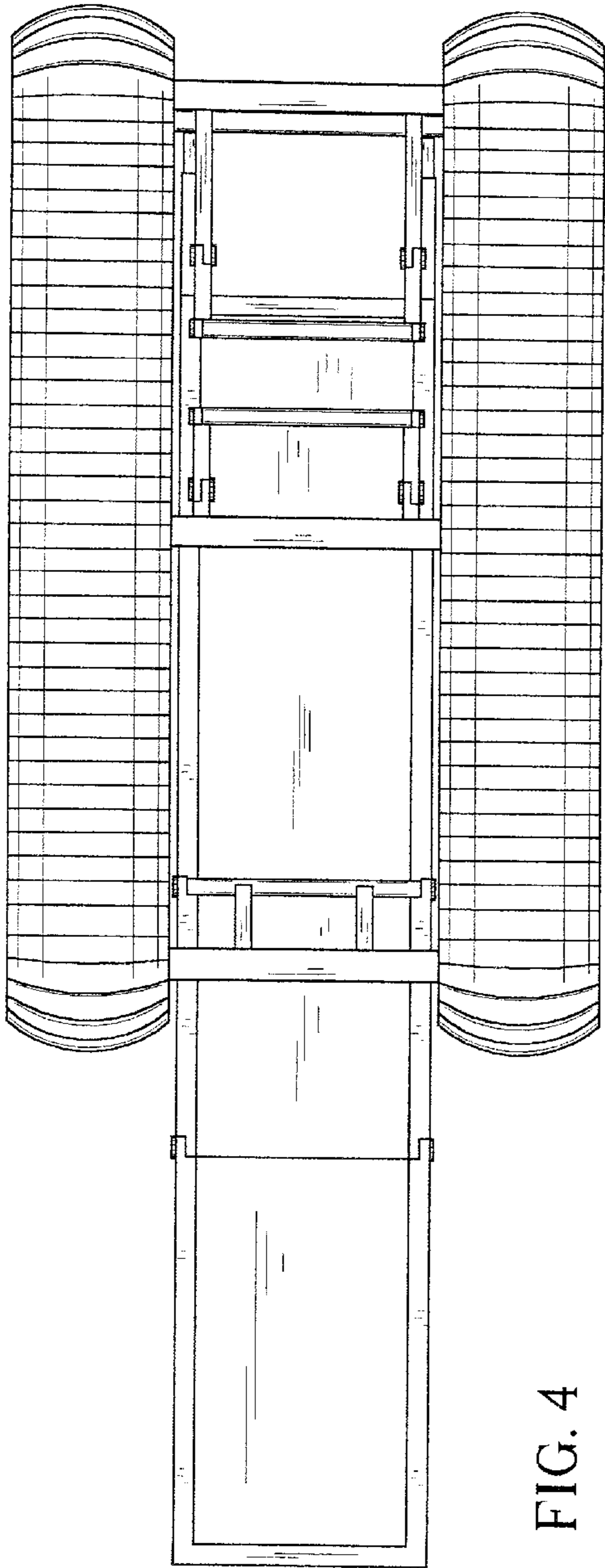


FIG. 4

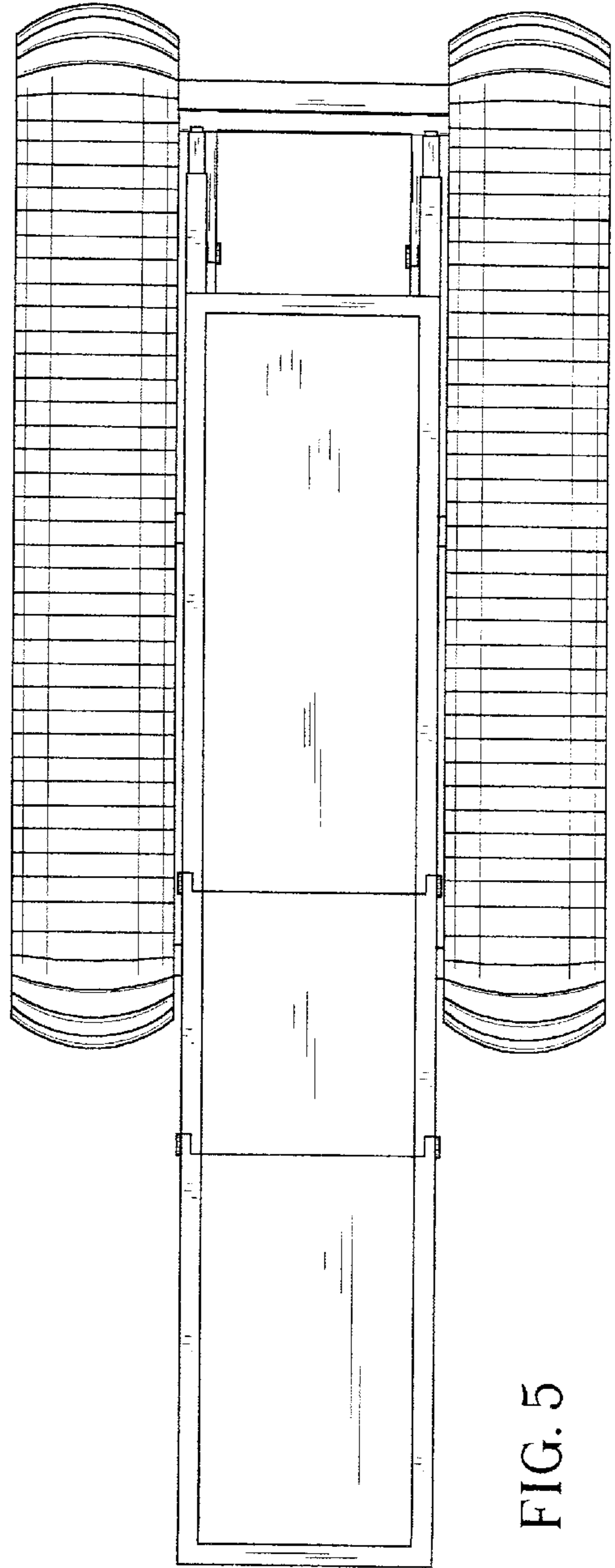


FIG. 5