



US00D483700S

(12) **United States Design Patent**
Irie

(10) **Patent No.:** **US D483,700 S**

(45) **Date of Patent:** **** Dec. 16, 2003**

(54) **OUTER LINK FOR A BICYCLE REAR
DERAILLEUR**

(75) Inventor: **Yoshinori Irie**, Osakasayama (JP)

(73) Assignee: **Shimano Inc.**, Osaka (JP)

(**) Term: **14 Years**

(21) Appl. No.: **29/166,358**

(22) Filed: **Aug. 27, 2002**

(51) **LOC (7) Cl.** **12-11**

(52) **U.S. Cl.** **D12/124**

(58) **Field of Search** D12/124; 180/220,
180/221; 474/80-82; 280/238

(56) **References Cited**

U.S. PATENT DOCUMENTS

D269,864 S * 7/1983 Watanabe D12/124
D339,770 S * 9/1993 Noami D12/124

* cited by examiner

Primary Examiner—Alan P. Douglas

Assistant Examiner—Linda Brooks

(74) *Attorney, Agent, or Firm*—Shinju Global IP
Counselors, LLP

(57) **CLAIM**

The ornamental design for an outer link for a bicycle rear derailleur, as shown and described.

DESCRIPTION

FIG. 1 is a perspective view of an outer link for a bicycle rear derailleur in accordance with my new design;

FIG. 2 is an outside elevational view of the outer link illustrated in FIG. 1;

FIG. 3 is an inside elevational view of the outer link illustrated in FIGS. 1 and 2;

FIG. 4 is a bottom plan view of the outer link illustrated in FIGS. 1-3;

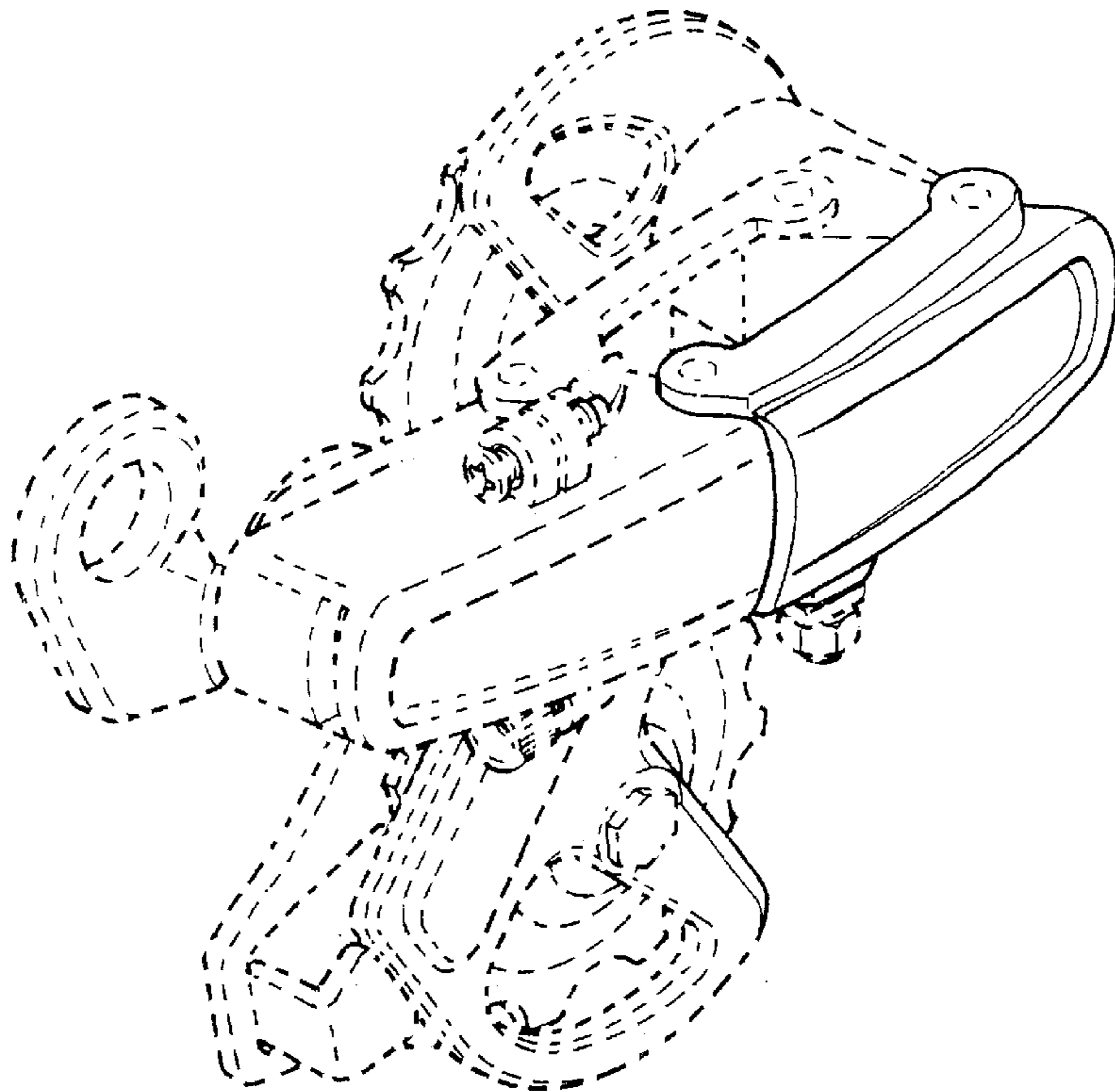
FIG. 5 is a top plan view of the outer link illustrated in FIGS. 1-4;

FIG. 6 is a front end elevational view of the outer link illustrated in FIGS. 1-5; and,

FIG. 7 is a rear end elevational view of bicycle rear derailleur illustrated in FIGS. 1-6.

The broken line showing of environment (the remaining structure of the bicycle rear derailleur) in the Figures is for illustrative purposes only and forms no part of the claimed design. Moreover, all surfaces of the outer link that are not seen are hereby disclaimed.

1 Claim, 7 Drawing Sheets



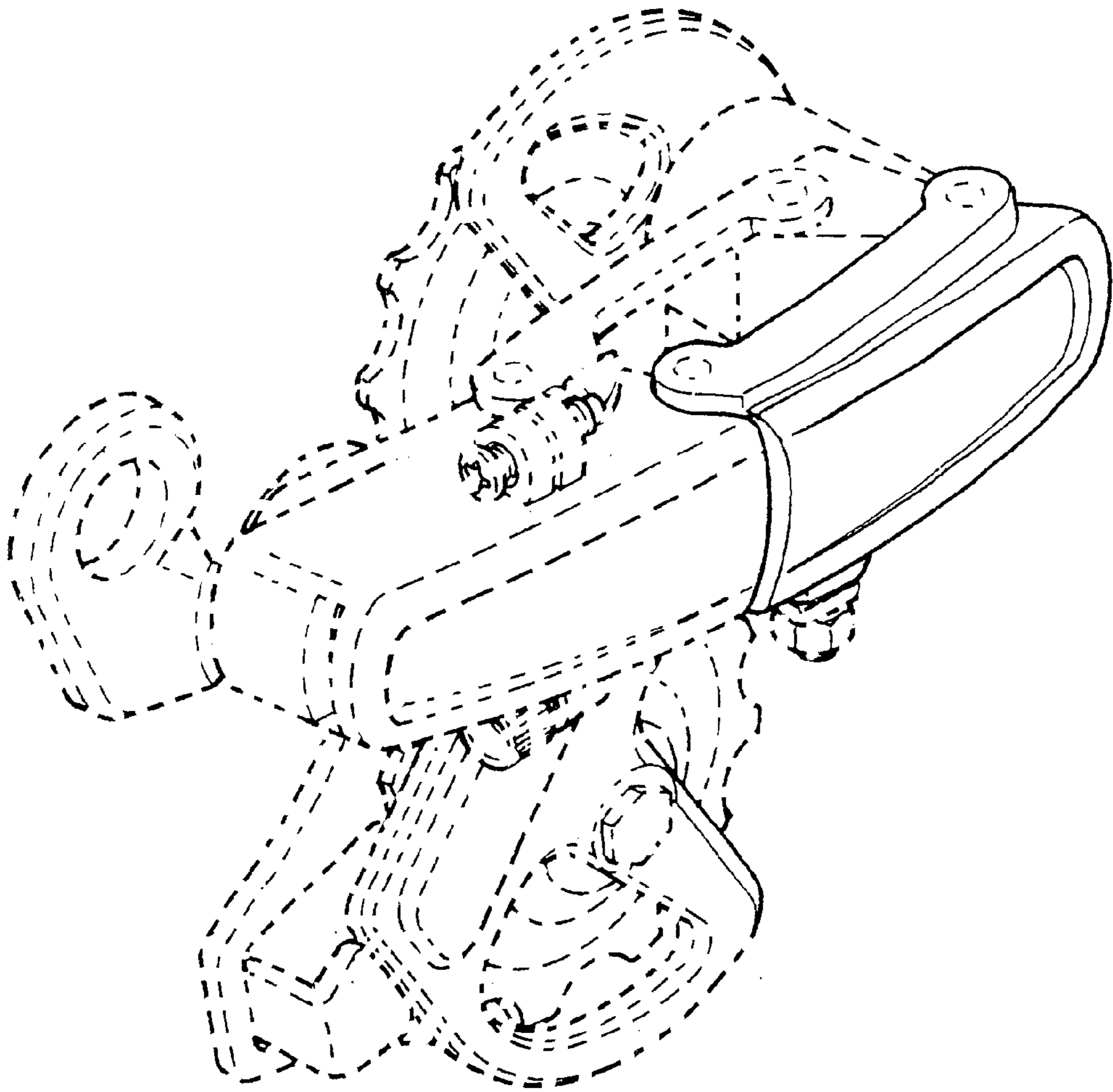


Fig. 1

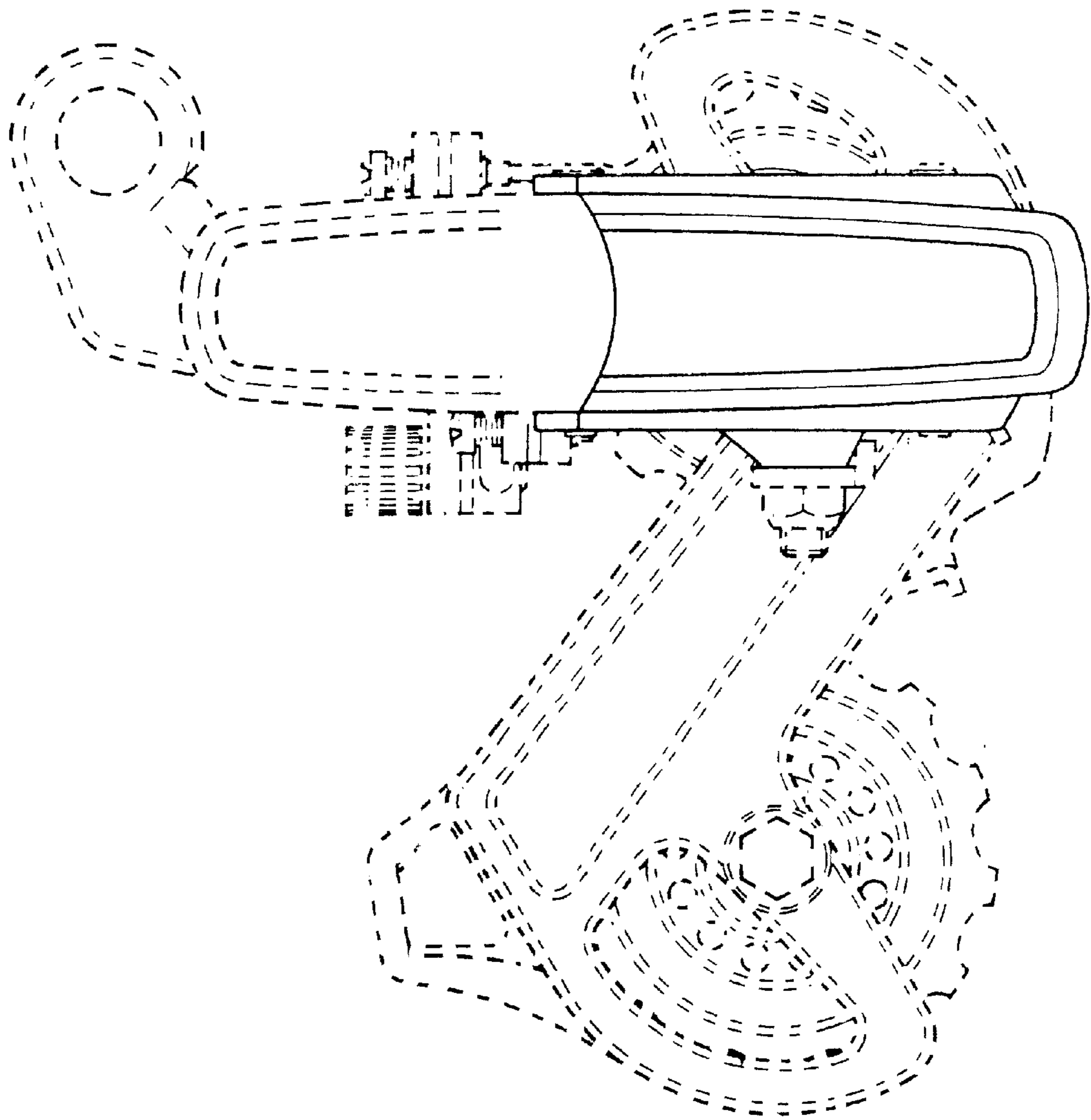


Fig. 2

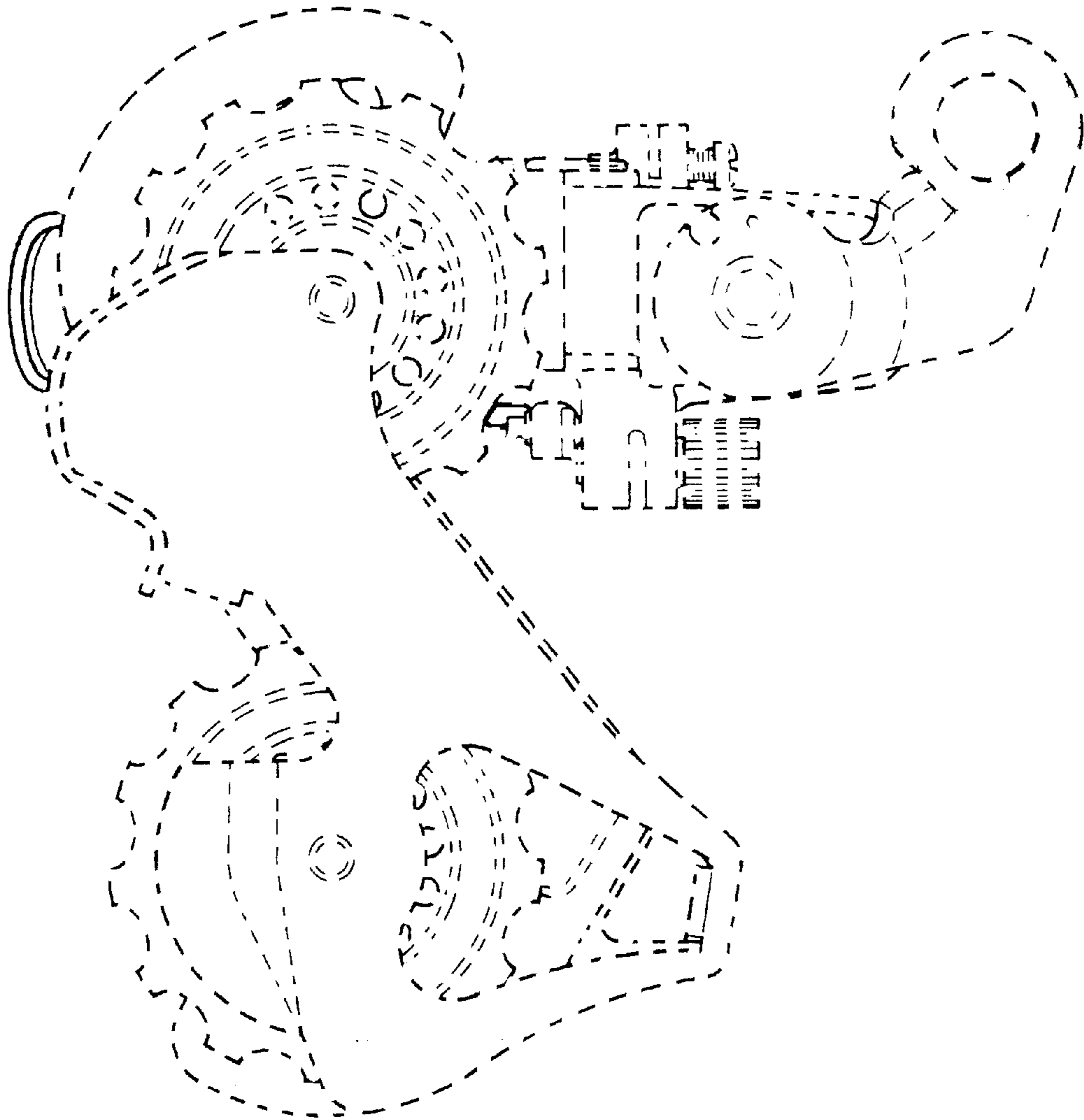


Fig. 3

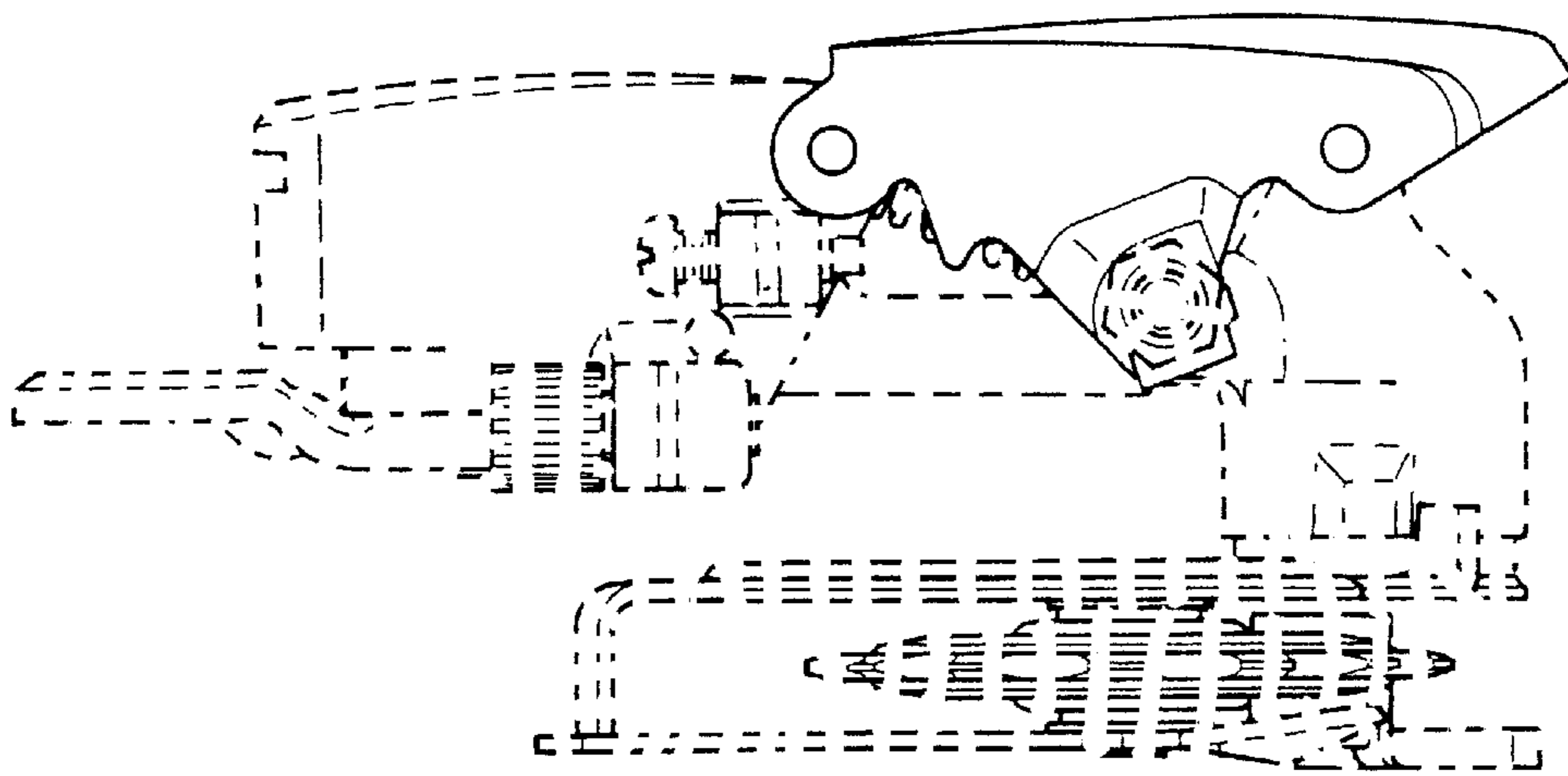


Fig. 4

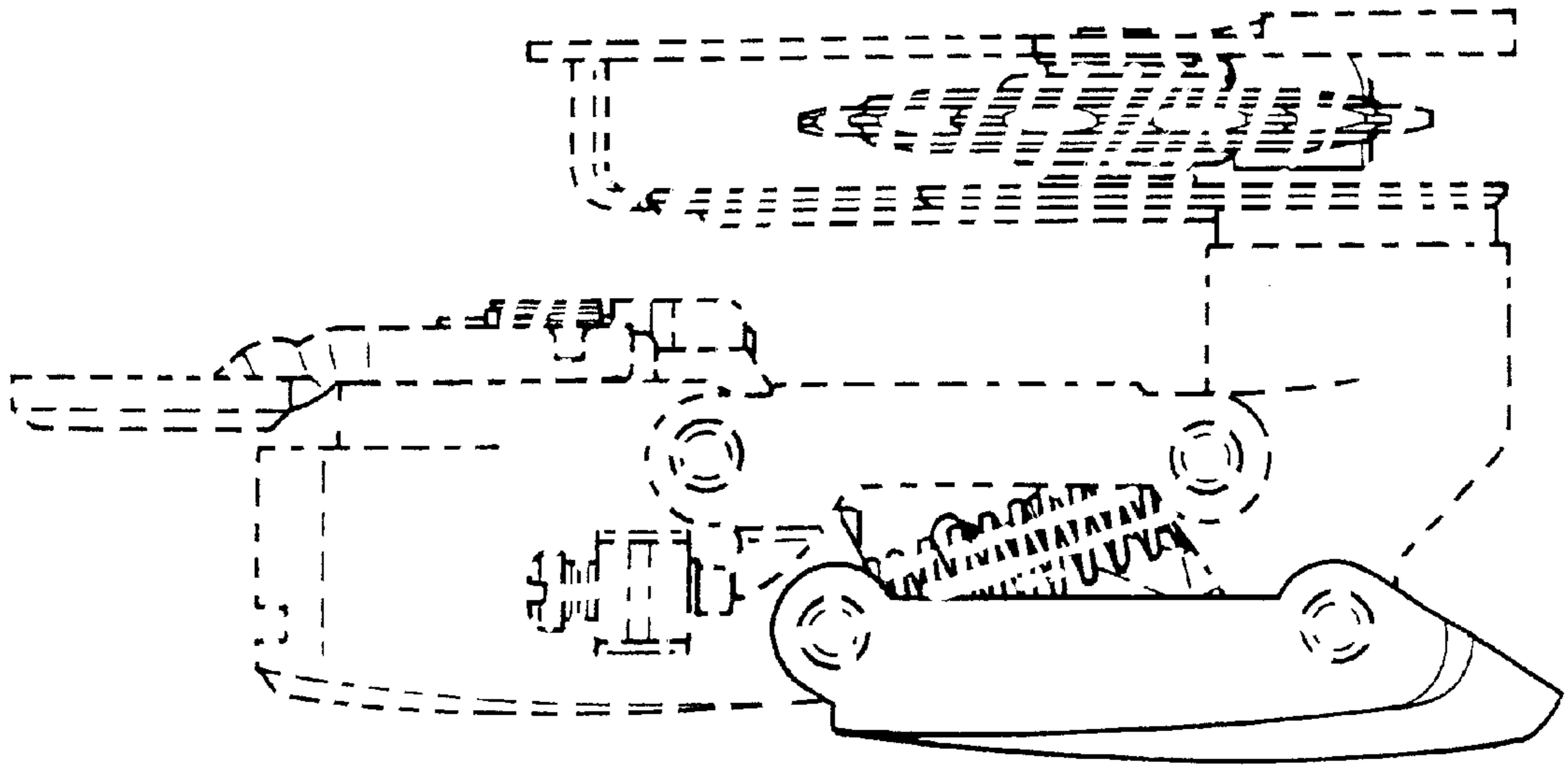


Fig. 5

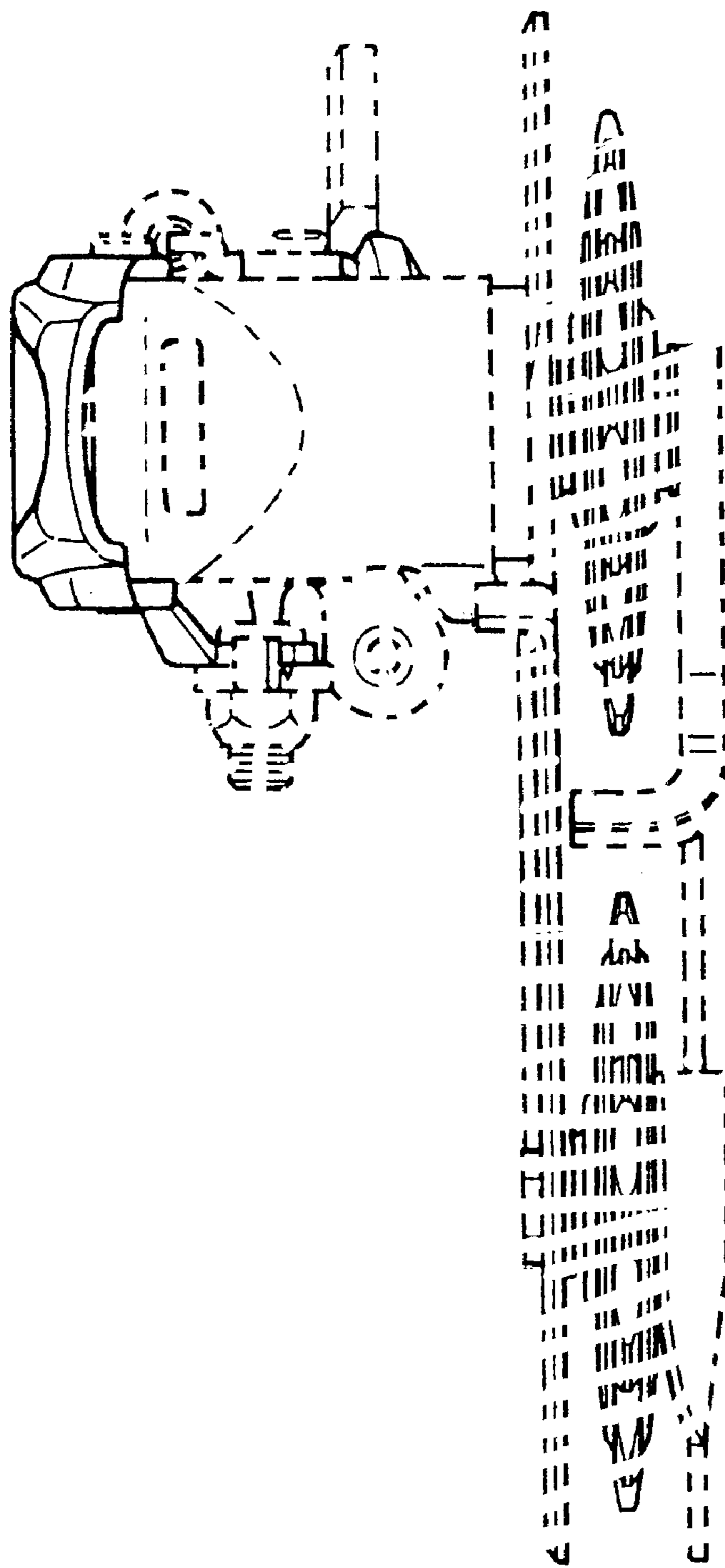


Fig. 6

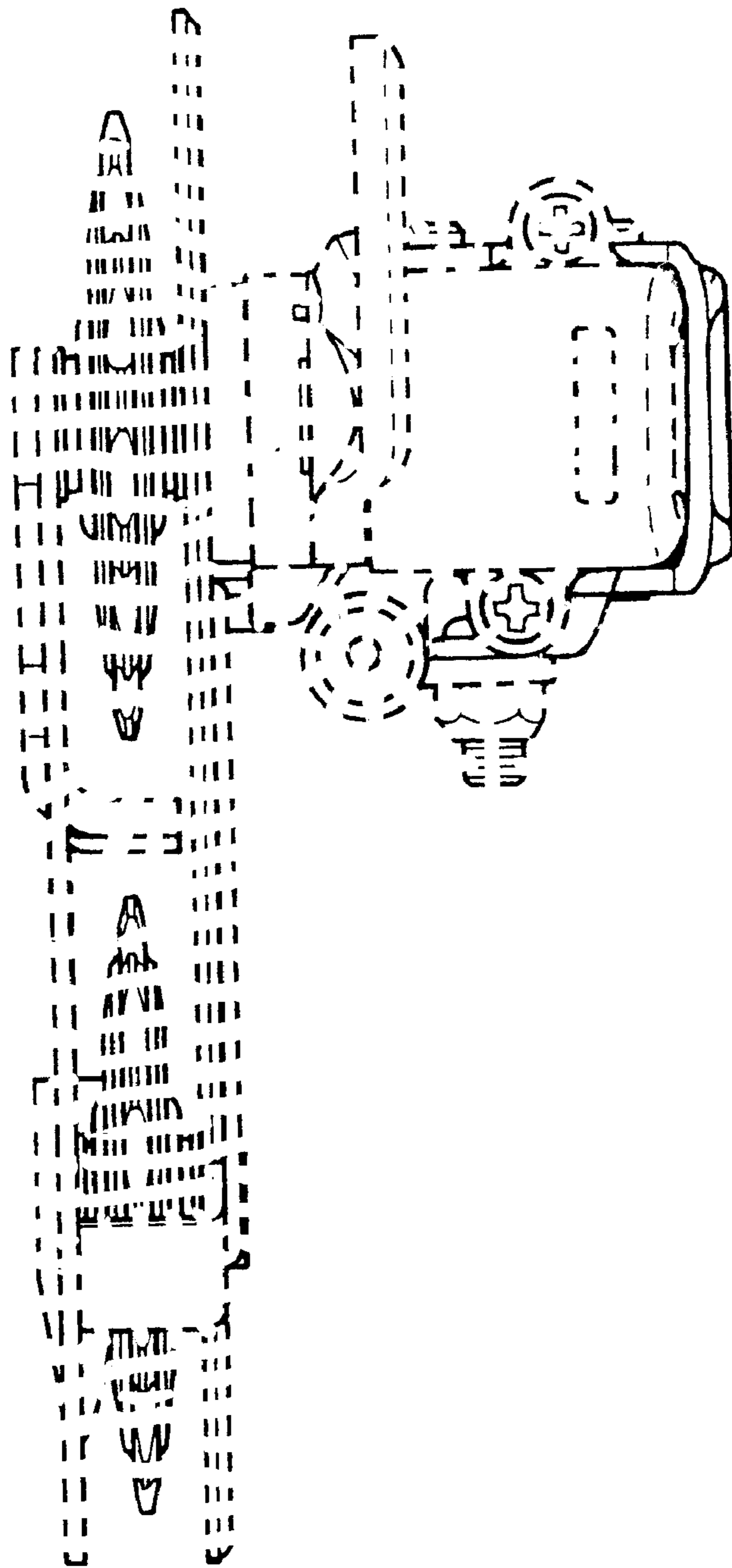


Fig. 7