



US00D483698S

(12) **United States Design Patent**
Basura

(10) **Patent No.:** **US D483,698 S**

(45) **Date of Patent:** **** Dec. 16, 2003**

(54) **MOTOR POWERED BICYCLE**

(76) **Inventor:** **Michael Nicklos Basura**, 20201 Fuerte Dr., Walnut, CA (US) 91789

(**) **Term:** **14 Years**

(21) **Appl. No.:** **29/165,198**

(22) **Filed:** **Aug. 5, 2002**

(51) **LOC (7) Cl.** **12-11**

(52) **U.S. Cl.** **D12/111**

(58) **Field of Search** D12/110, 111,
D12/117; 280/28.1, 274-279, 288.1-288.4,
311, 312; 180/219

(56) **References Cited**

U.S. PATENT DOCUMENTS

D301,437 S	*	6/1989	Bleustein et al.	D12/111
D420,310 S	*	2/2000	Spriggs et al.	D12/111
D446,476 S	*	8/2001	Wallace et al.	D12/110

* cited by examiner

Primary Examiner—Alan P. Douglas

Assistant Examiner—Linda Brooks

(74) *Attorney, Agent, or Firm*—Kelly Bauersfeld Lowry & Kelley, LLP

(57) **CLAIM**

The ornamental design for a motor powered bicycle, as shown and described.

DESCRIPTION

FIG. 1 is a left side elevational view of a motor powered bicycle embodying my new design, wherein exemplary wheels and other features shown in phantom are for illustrative purposes only and form no portion of the design;

FIG. 2 is a right side elevational view thereof;

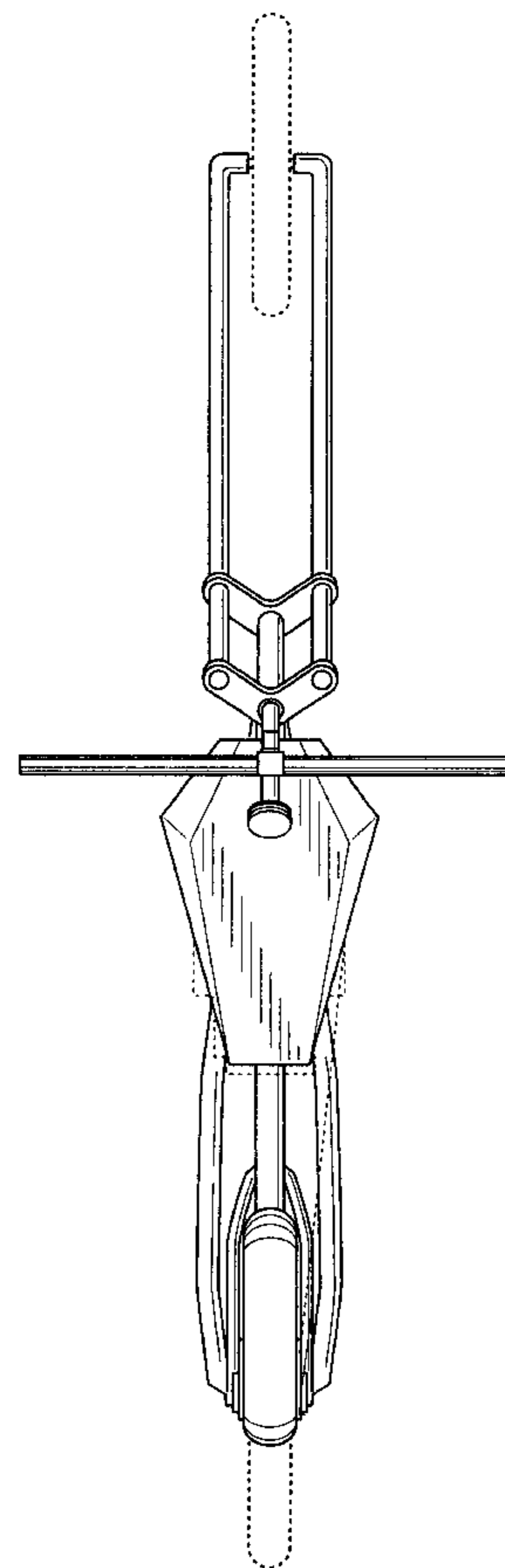
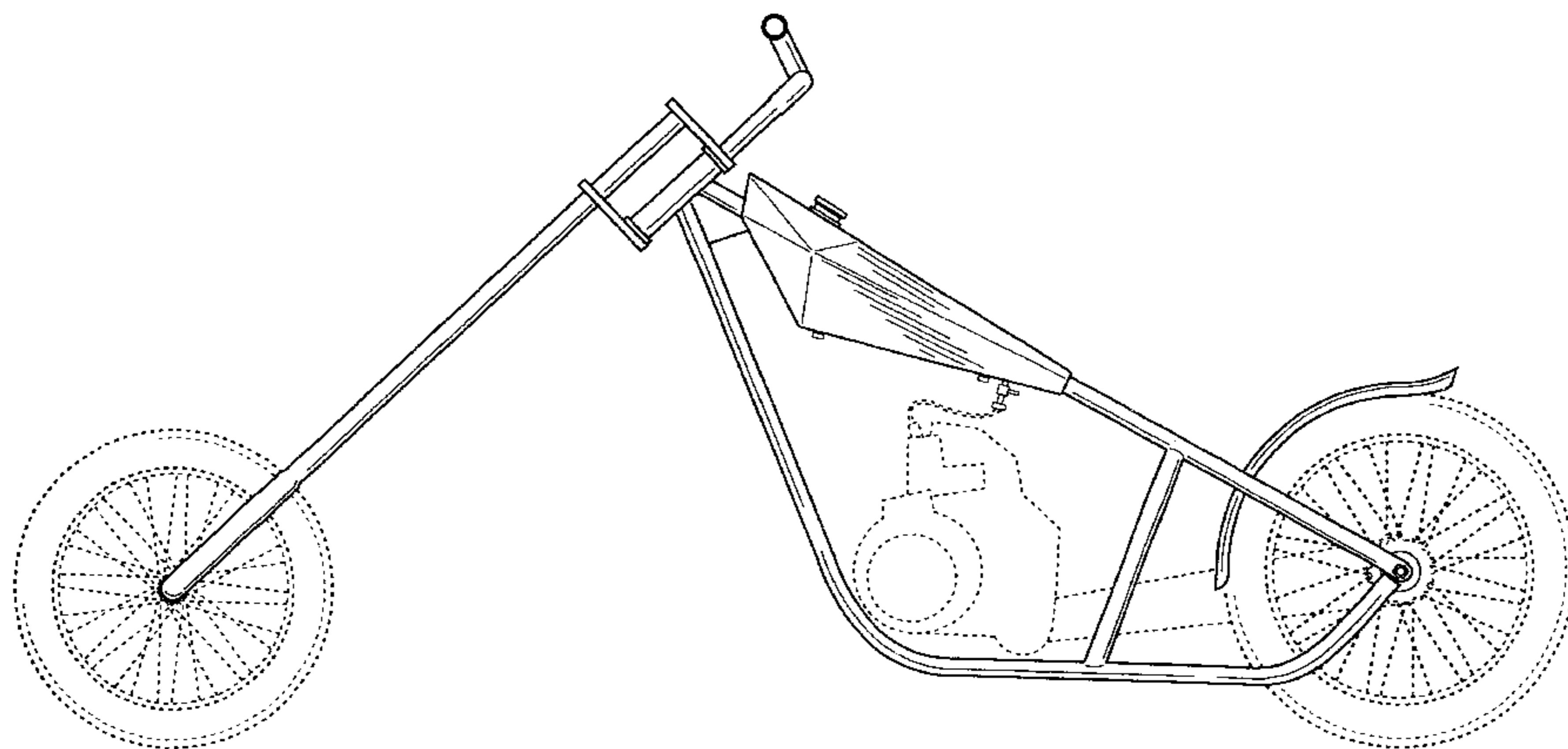
FIG. 3 is a front elevational view thereof;

FIG. 4 is a rear elevational view thereof;

FIG. 5 is a bottom plan view thereof; and,

FIG. 6 is a top plan view thereof.

1 Claim, 4 Drawing Sheets



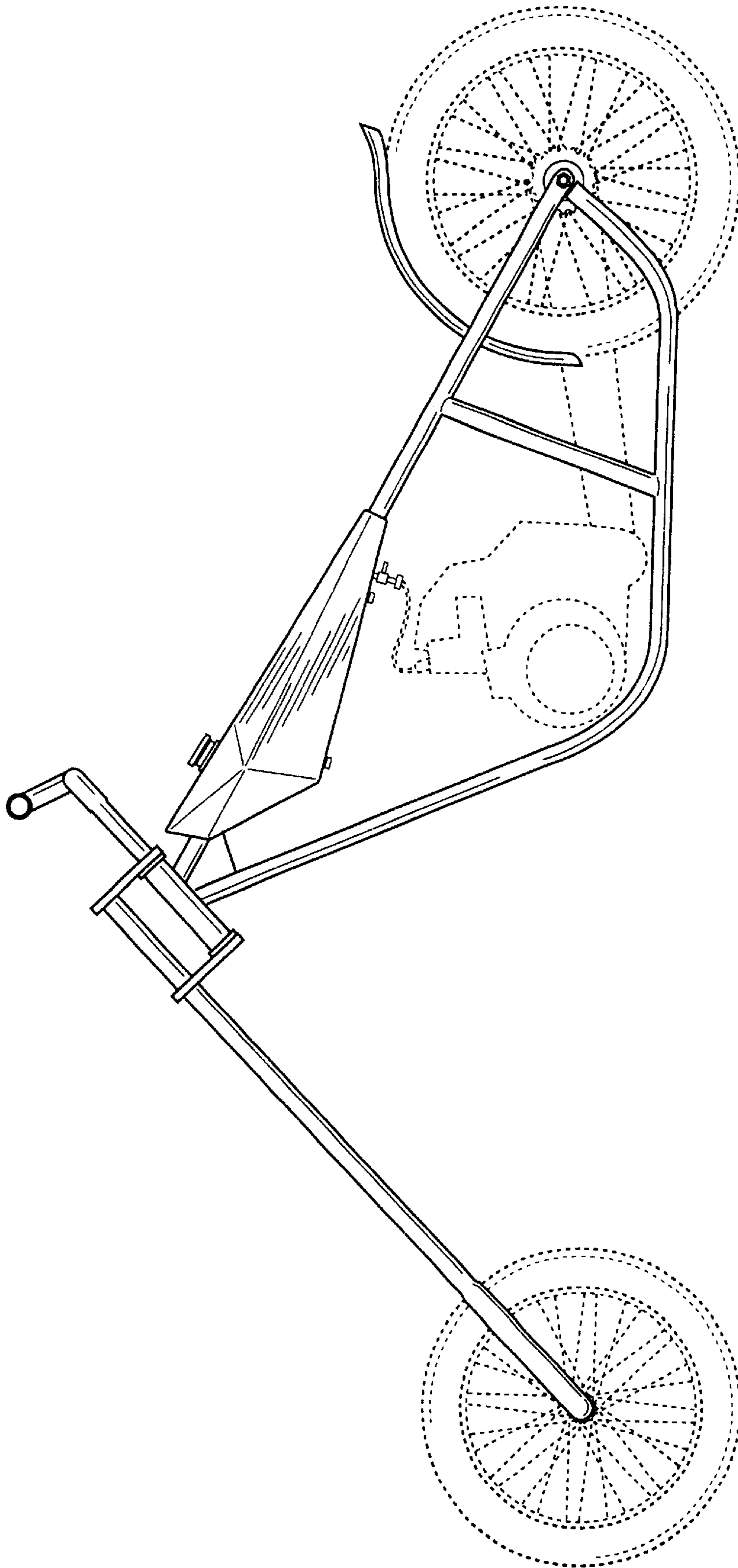


FIG. 1

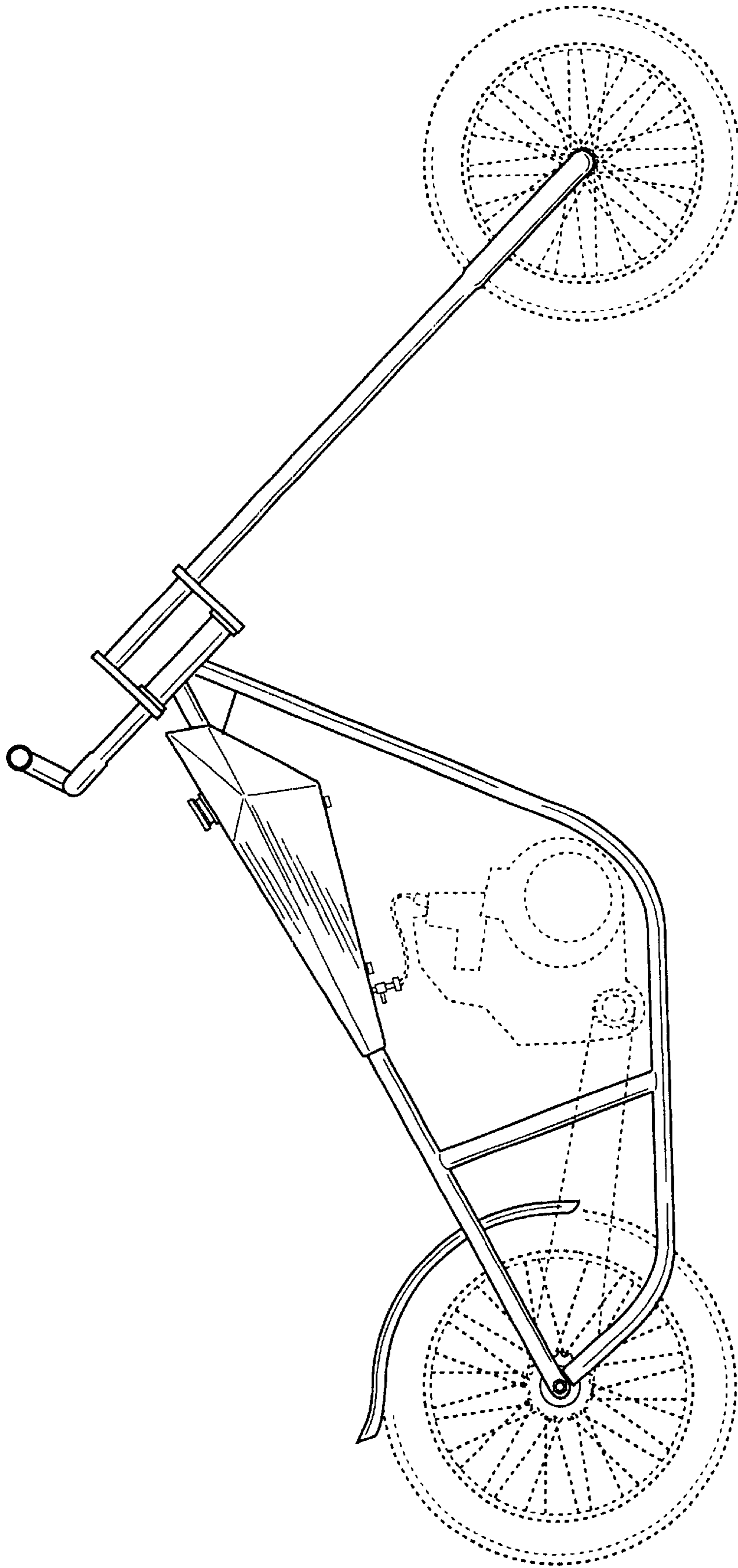


FIG. 2

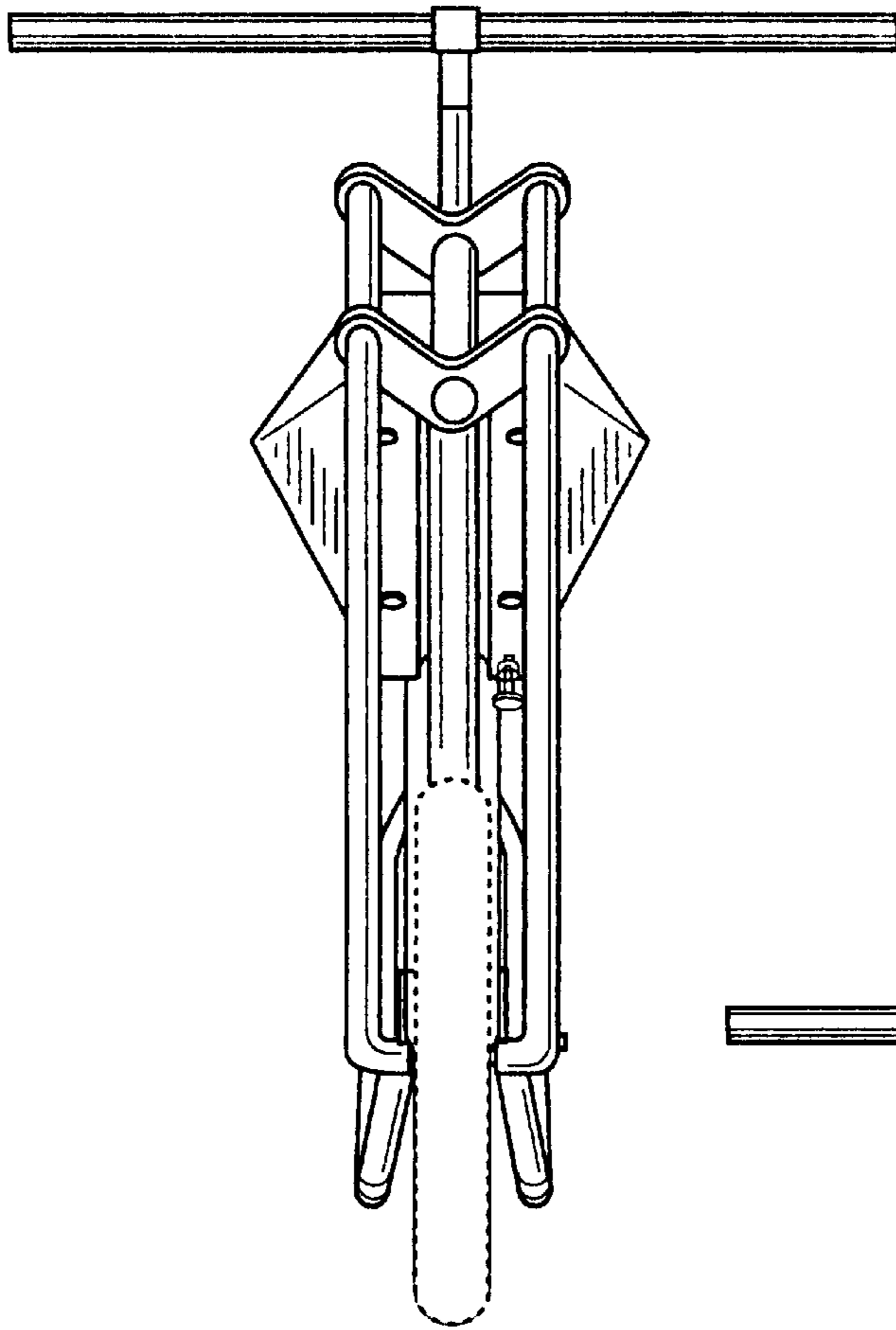


FIG. 3

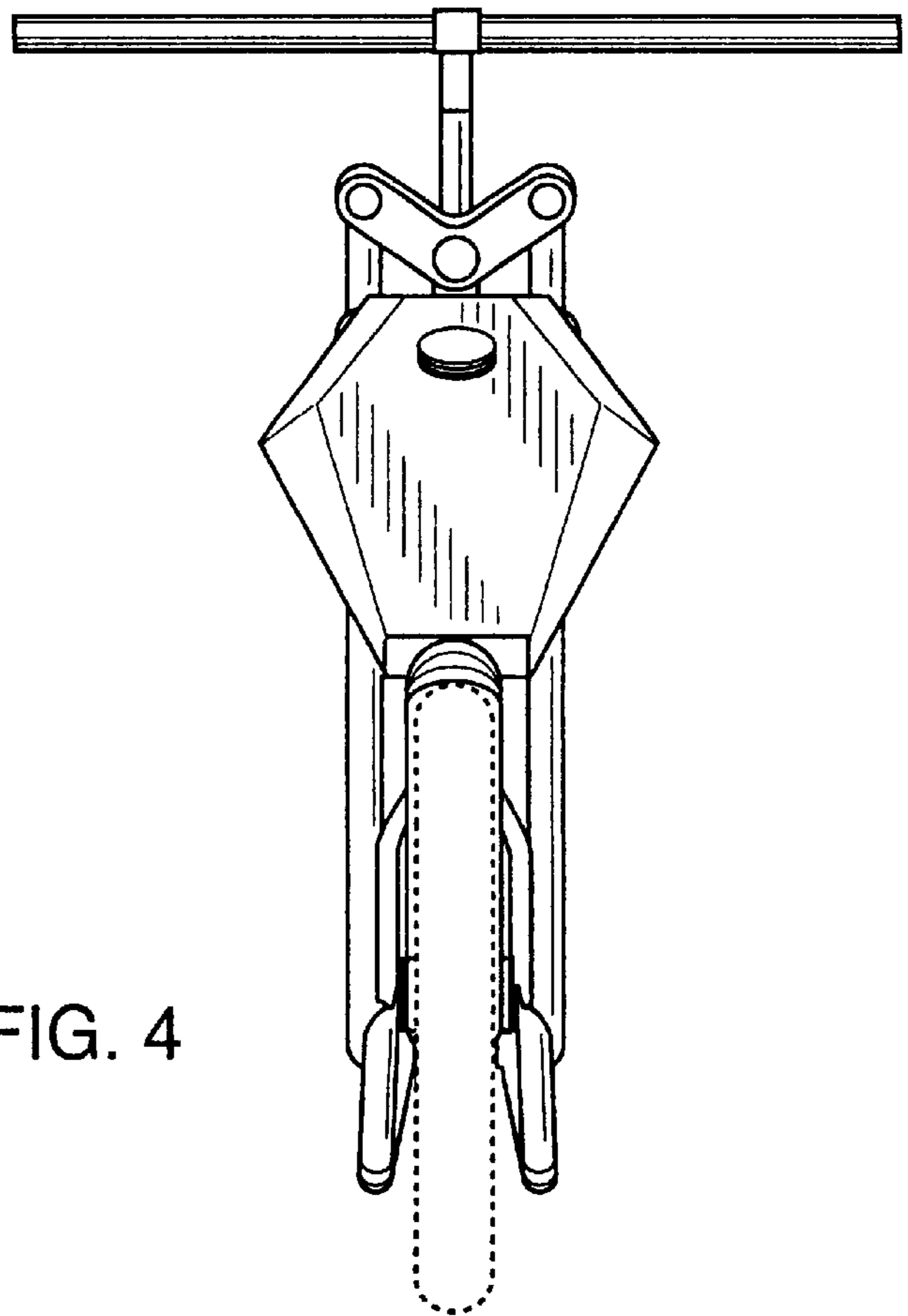


FIG. 4

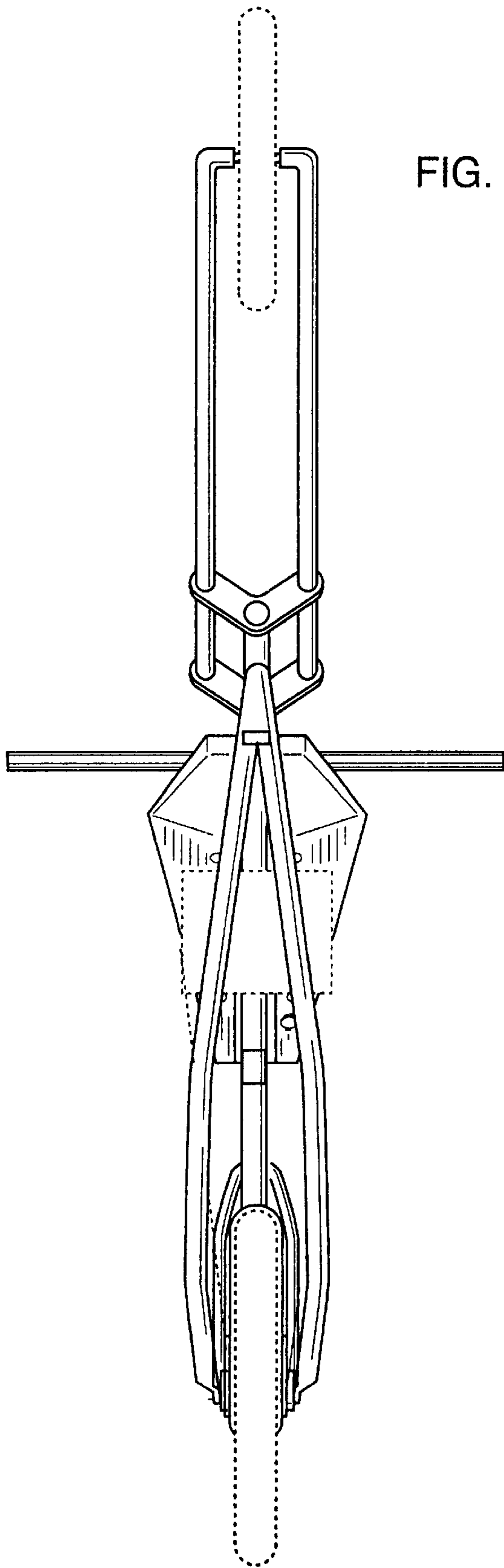


FIG. 5

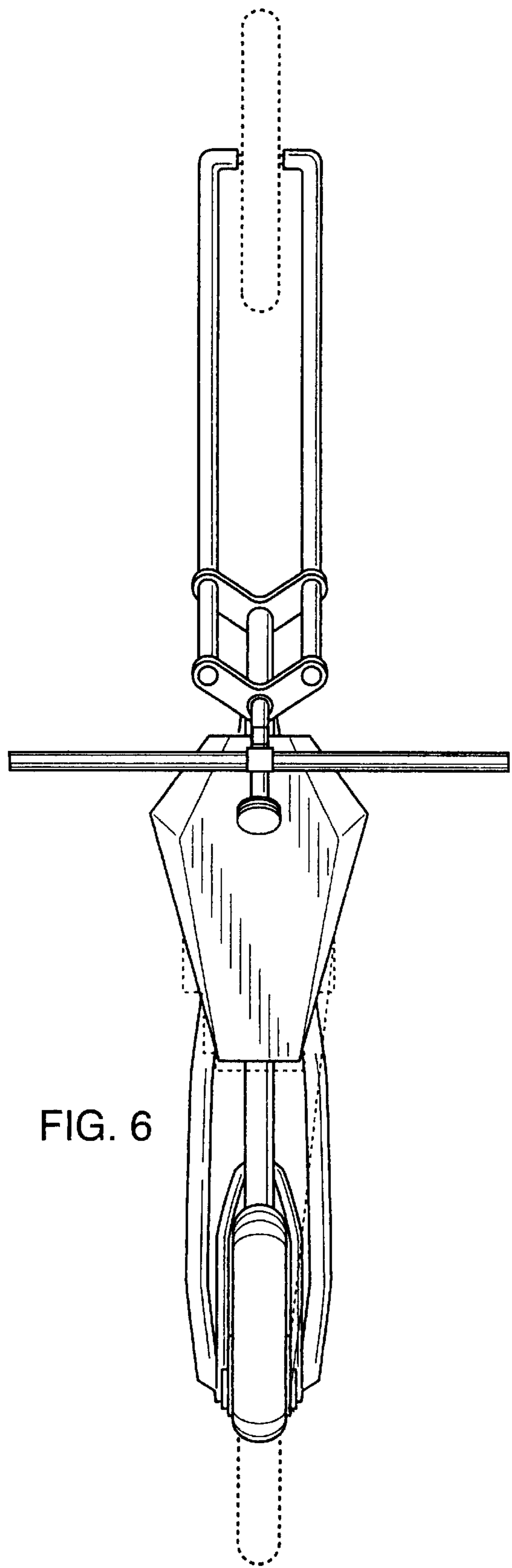


FIG. 6