



US00D483697S

(12) **United States Design Patent**
Hicks

(10) **Patent No.:** **US D483,697 S**

(45) **Date of Patent:** **** Dec. 16, 2003**

(54) **END DUMP TRAILER**

(76) **Inventor:** **Gregory L. Hicks**, 106 Harvest La.,
Haughton, Bossier Parish, LA (US)
71037

(**) **Term:** **14 Years**

(21) **Appl. No.:** **29/143,378**

(22) **Filed:** **Jun. 12, 2001**

(51) **LOC (7) Cl.** **12-10**

(52) **U.S. Cl.** **D12/102; D12/15**

(58) **Field of Search** D12/102, 101,
D12/15, 14, 98, 93, 196; 296/181-183,
56, 57.1; 414/476, 477, 480; 280/837

(56) **References Cited**

U.S. PATENT DOCUMENTS

D309,816 S	*	8/1990	Morrow, Sr.	D12/154
D349,872 S	*	8/1994	Chaseling et al.	D12/15
D383,093 S	*	9/1997	Garzancich et al.	D12/102
D386,128 S	*	11/1997	Gerding et al.	D12/15
D393,234 S	*	4/1998	Stragier	D12/15
5,782,493 A	*	7/1998	Bolton et al.	280/837
D450,627 S	*	11/2001	Musso, Jr. et al.	D12/15
D450,628 S	*	11/2001	Musso, Jr. et al.	D12/15

OTHER PUBLICATIONS

Clement Industries Brochures (4 pages) End Dump Trailers,
7/99.

* cited by examiner

Primary Examiner—Melody N. Brown
(74) *Attorney, Agent, or Firm*—Thompson & Gustavson,
L.L.P.

(57) **CLAIM**

The ornamental design for an end dump trailer, as shown and described.

DESCRIPTION

FIG. 1 is a front view of an end dump trailer embodying my design;

FIG. 2 is a left side view thereof, the right side view thereof being identical;

FIG. 3 is a rear view thereof;

FIG. 4 is a top view thereof;

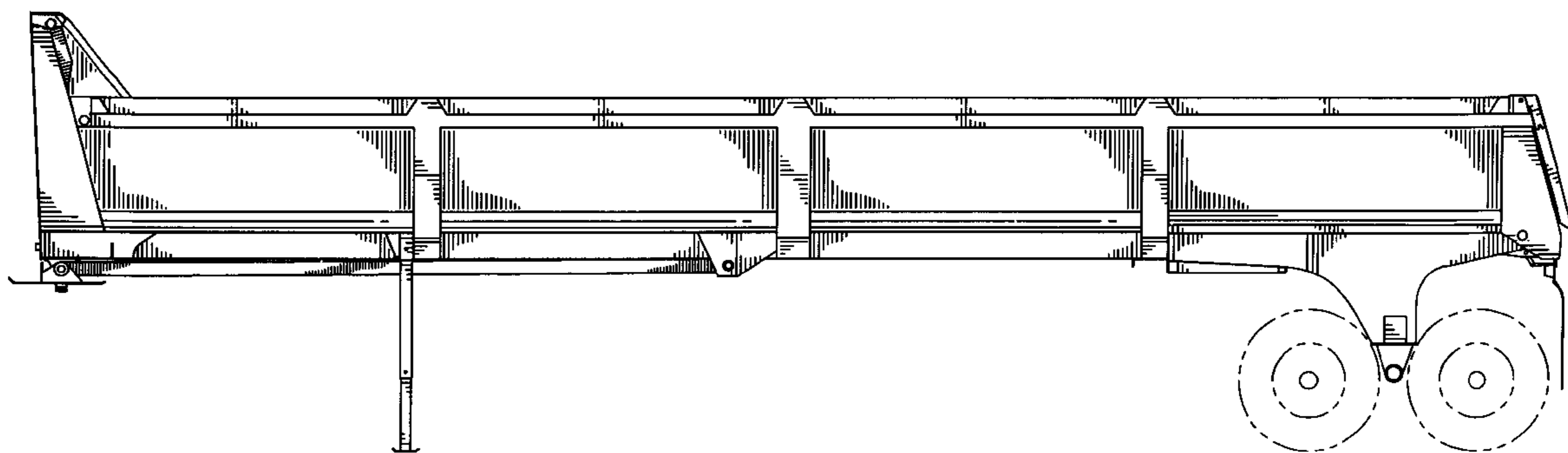
FIG. 5 is a bottom view thereof;

FIG. 6 is a partial side view illustrating the tail lights and mud flaps of the end dump trailer in the road operation position; and,

FIG. 7 is a partial side view illustrating the tail lights and mud flaps of the end dump trailer in the dumping operation position.

The wheels shown in broken lines throughout the drawing views are for illustrative purposes only and form no part of the claim design.

1 Claim, 3 Drawing Sheets



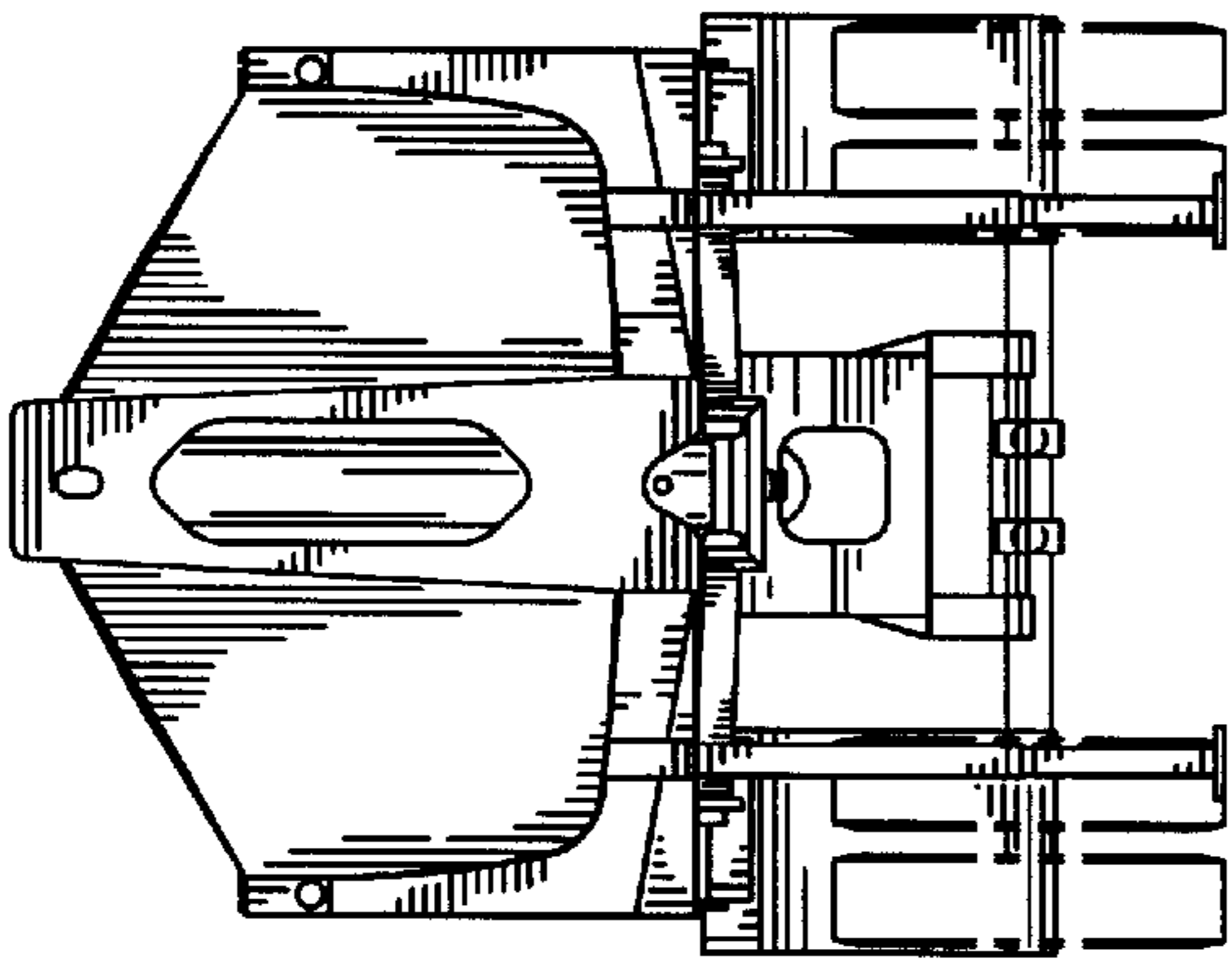


FIG. 1

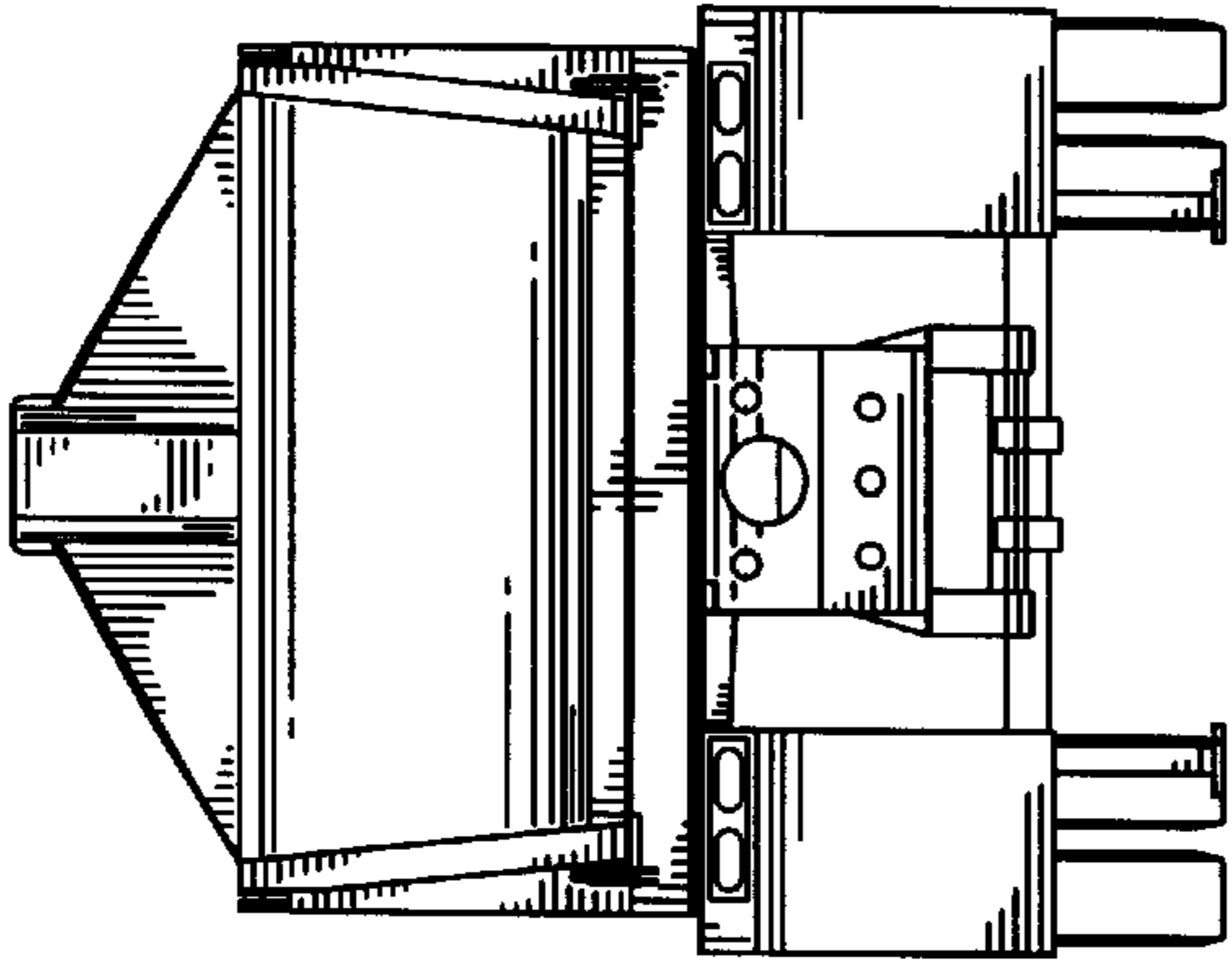


FIG. 3

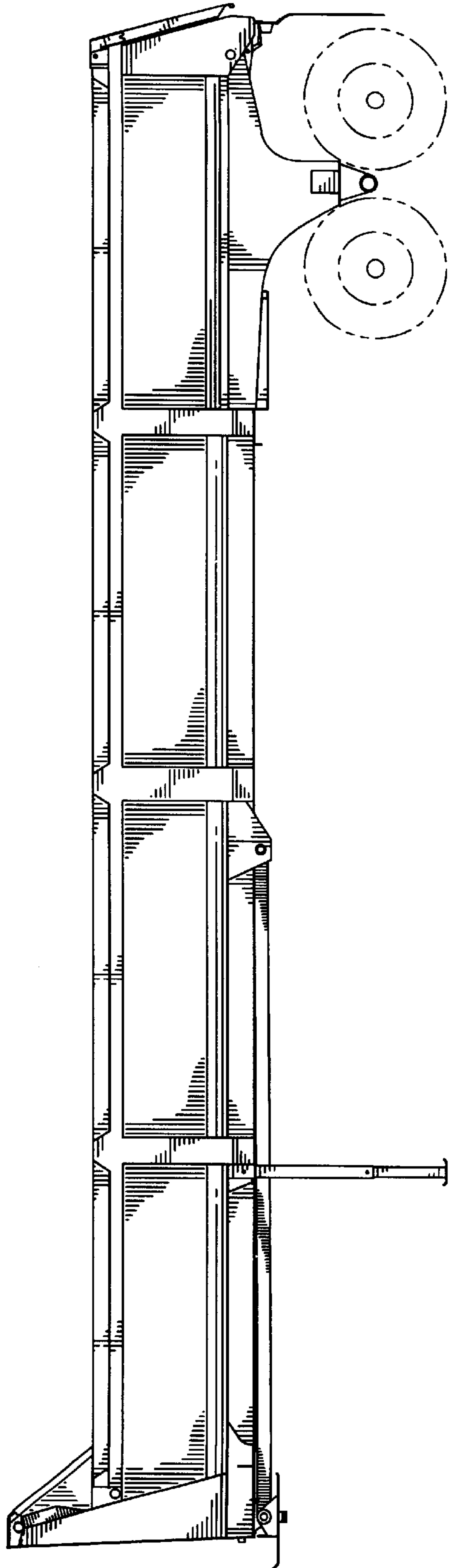


FIG. 2

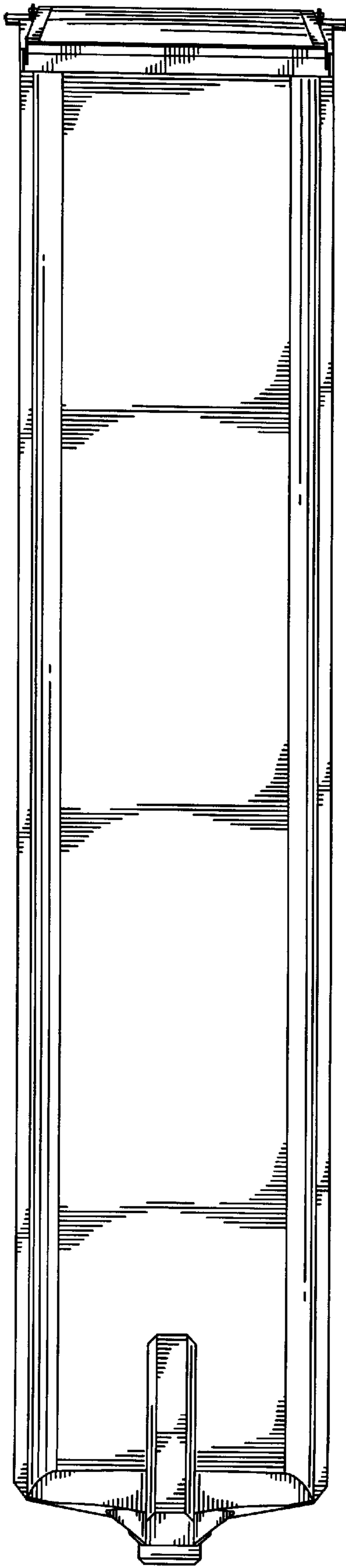


FIG. 4

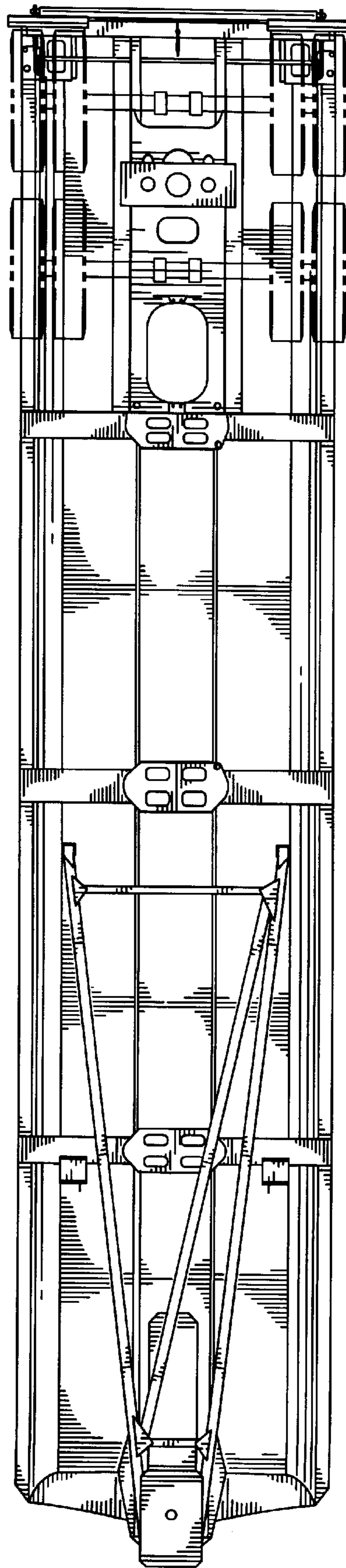


FIG. 5

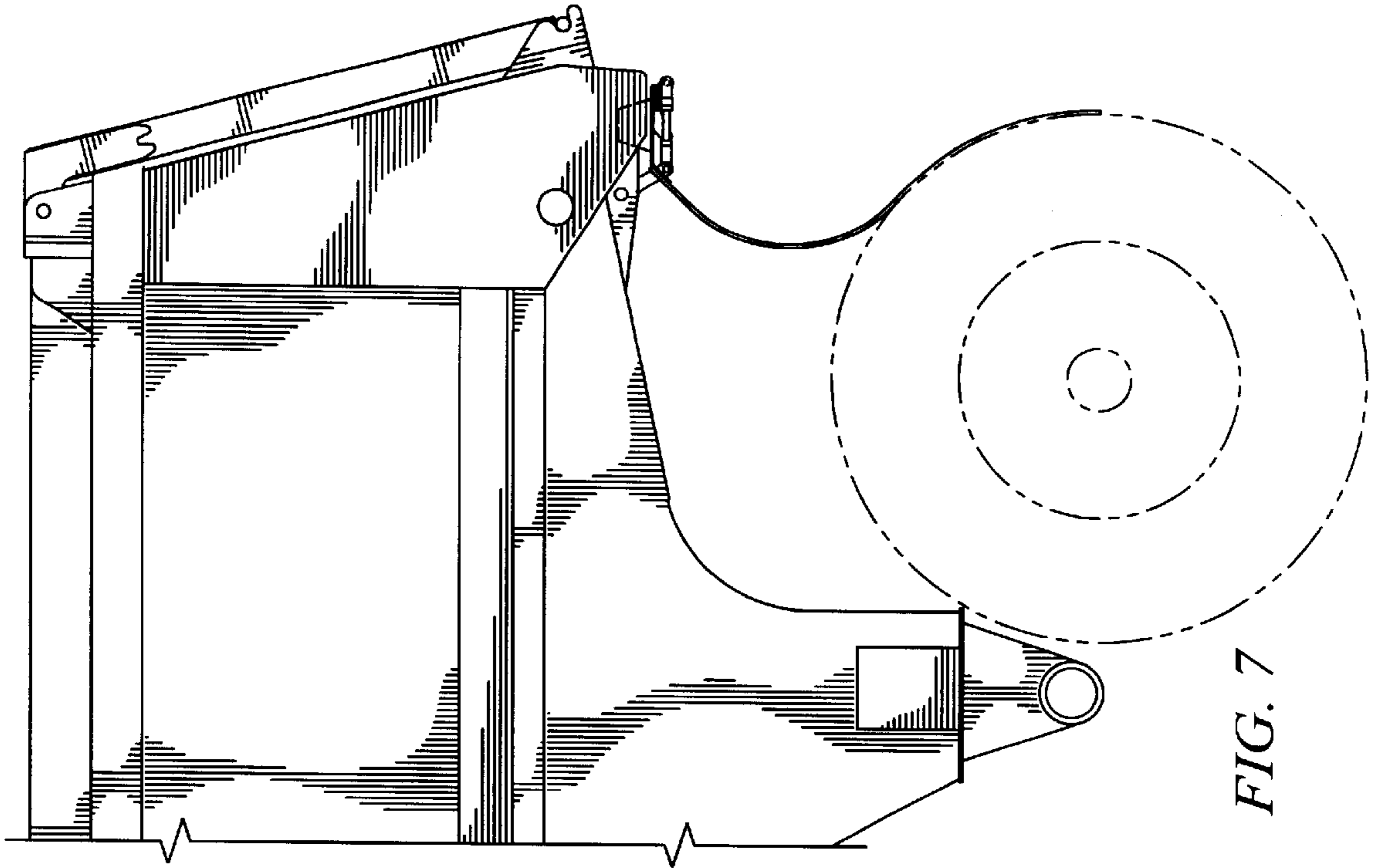


FIG. 7

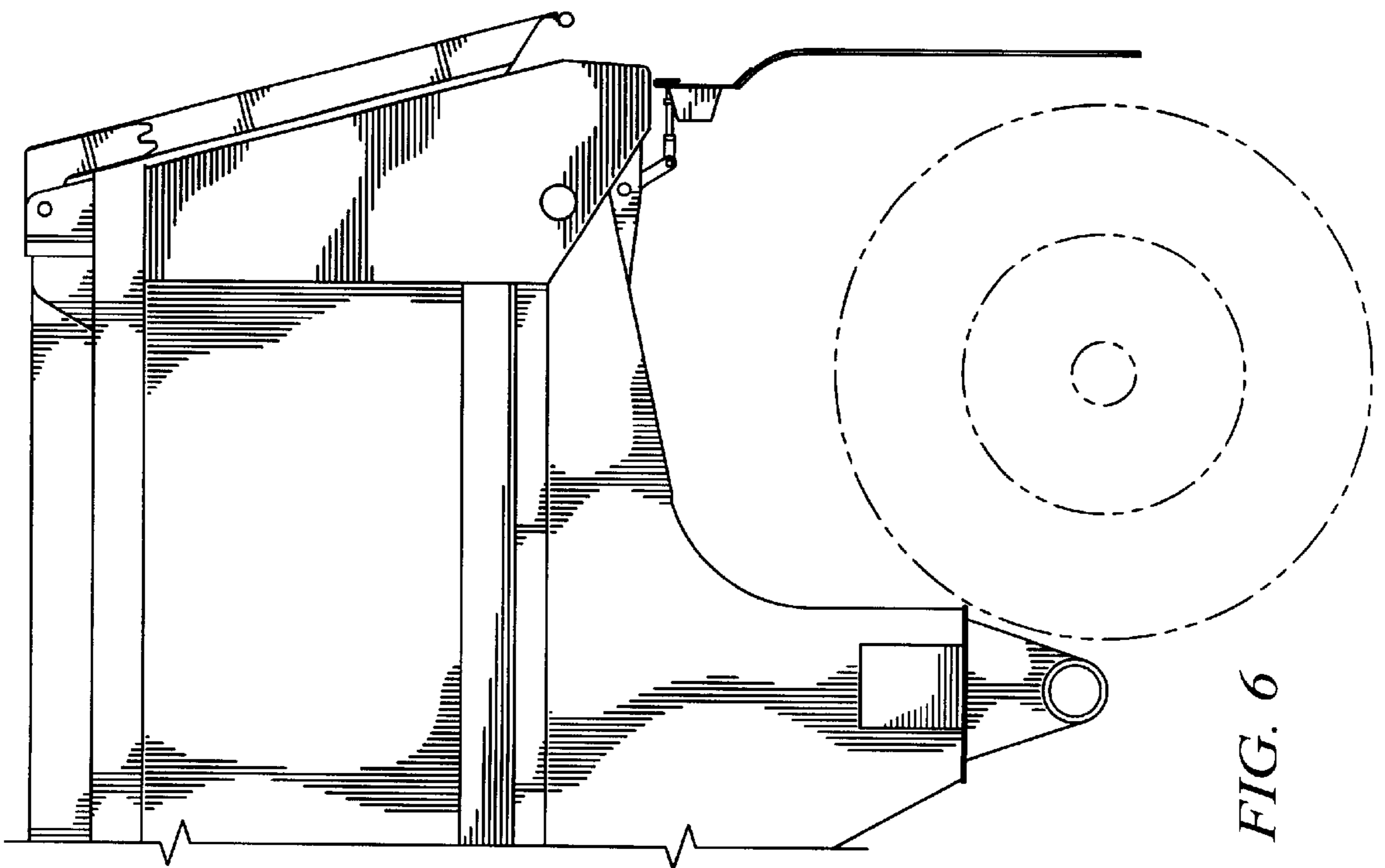


FIG. 6