



US00D483696S

(12) **United States Design Patent**
Howell et al.

(10) **Patent No.:** **US D483,696 S**

(45) **Date of Patent:** **** Dec. 16, 2003**

(54) **AUTOMOBILE BODY**

D476,601 S 7/2003 Stoddard et al.

D479,492 S * 9/2003 Gale et al. D12/91

(75) Inventors: **Gregory Howell**, Shelby Township, MI (US); **Darrel L Morley**, Grosse Pointe Woods, MI (US); **Joseph S Dehner**, Bloomfield, MI (US)

* cited by examiner

Primary Examiner—Melody N. Brown

(74) *Attorney, Agent, or Firm*—Ralph E. Smith

(73) Assignee: **DaimlerChrysler Corporation**, Auburn Hills, MI (US)

(57) **CLAIM**

(**) Term: **14 Years**

The ornamental design for an automobile body, as shown and described.

(21) Appl. No.: **29/179,372**

DESCRIPTION

(22) Filed: **Apr. 9, 2003**

FIG. 1 is a front perspective view of an automobile body showing my new design;

(51) **LOC (7) Cl.** **12-08**

FIG. 2 is a left side view thereof;

(52) **U.S. Cl.** **D12/92**

FIG. 3 is a rear perspective view thereof;

(58) **Field of Search** D12/90-92, 86;

FIG. 4 is a front view thereof; and,

296/185

FIG. 5 is a rear view thereof.

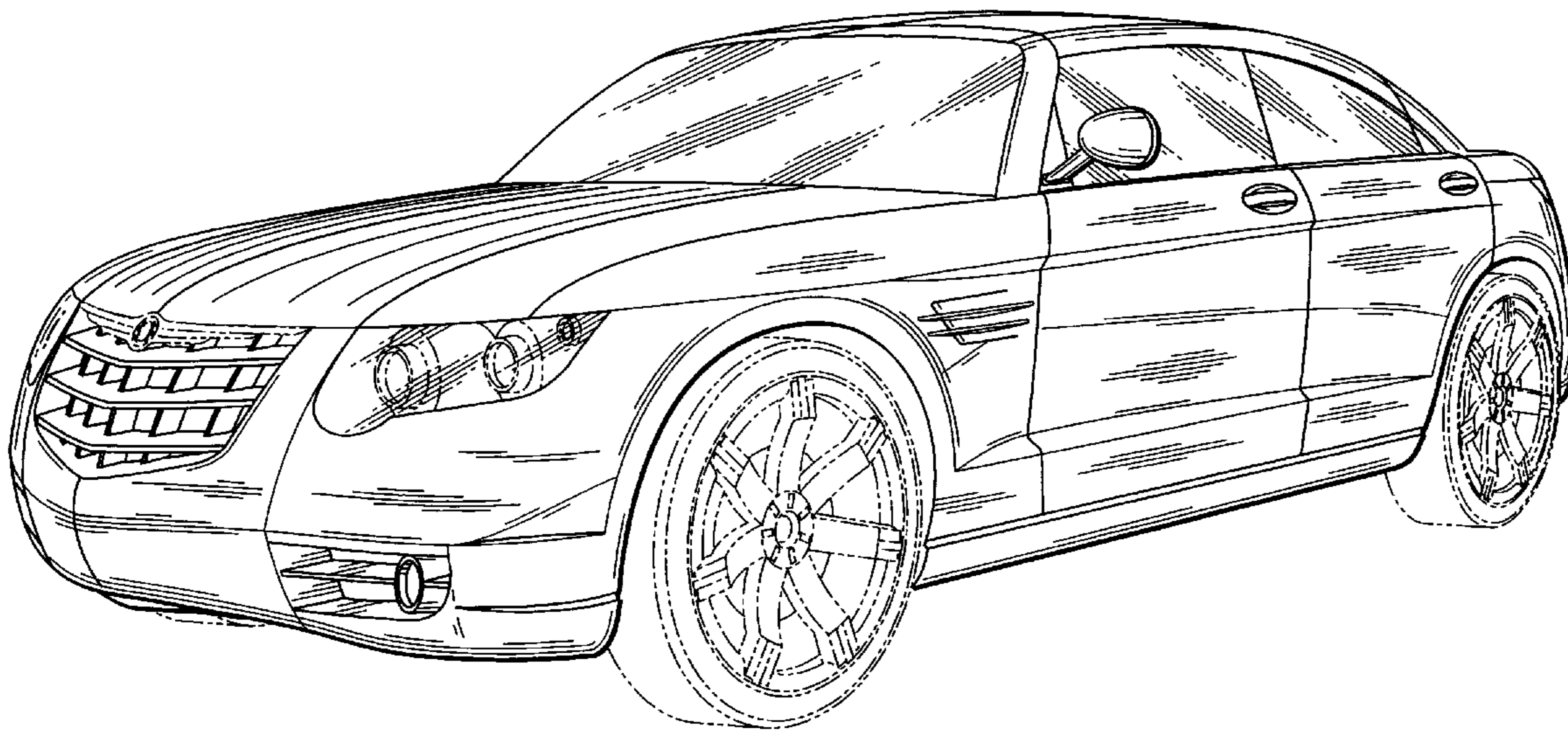
It will be understood that dashed lines presented in the drawings are for illustration only, and do not form a part of the claimed design.

(56) **References Cited**

U.S. PATENT DOCUMENTS

D455,676 S 4/2002 Stoddard et al.

1 Claim, 5 Drawing Sheets



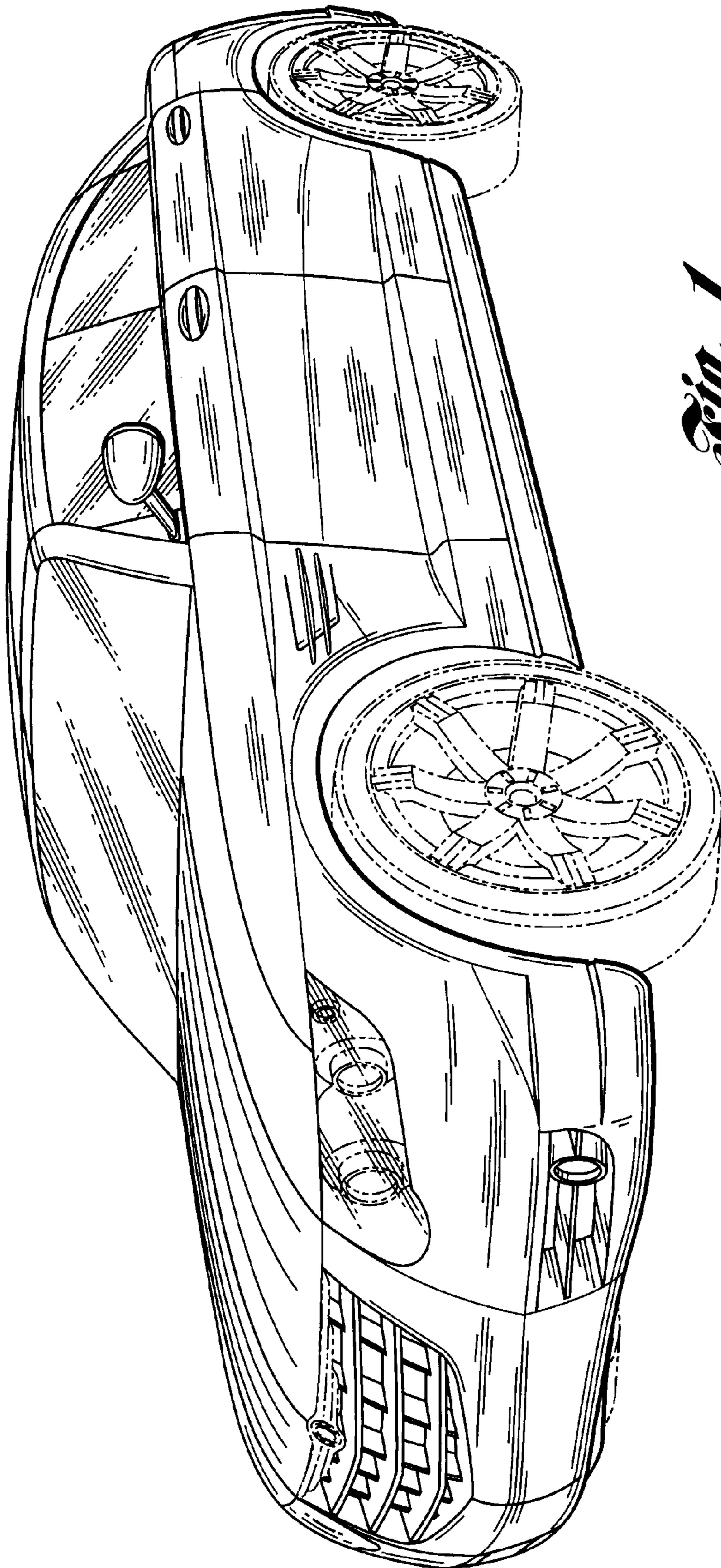


Fig. 1

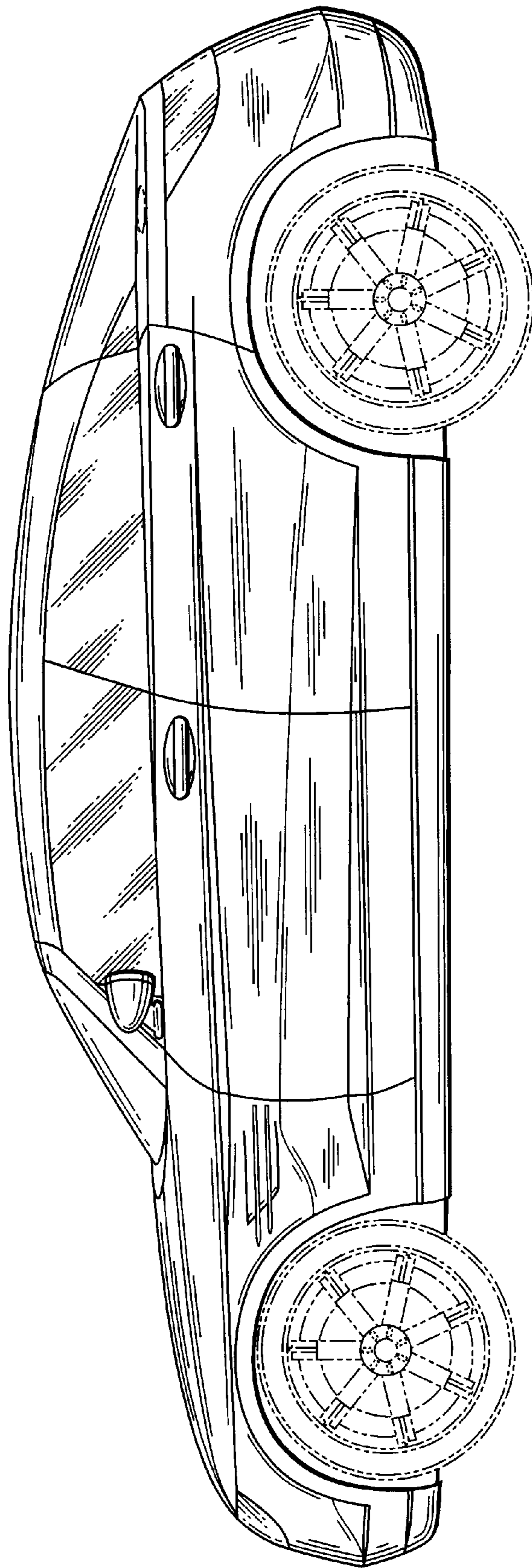


Fig. 2

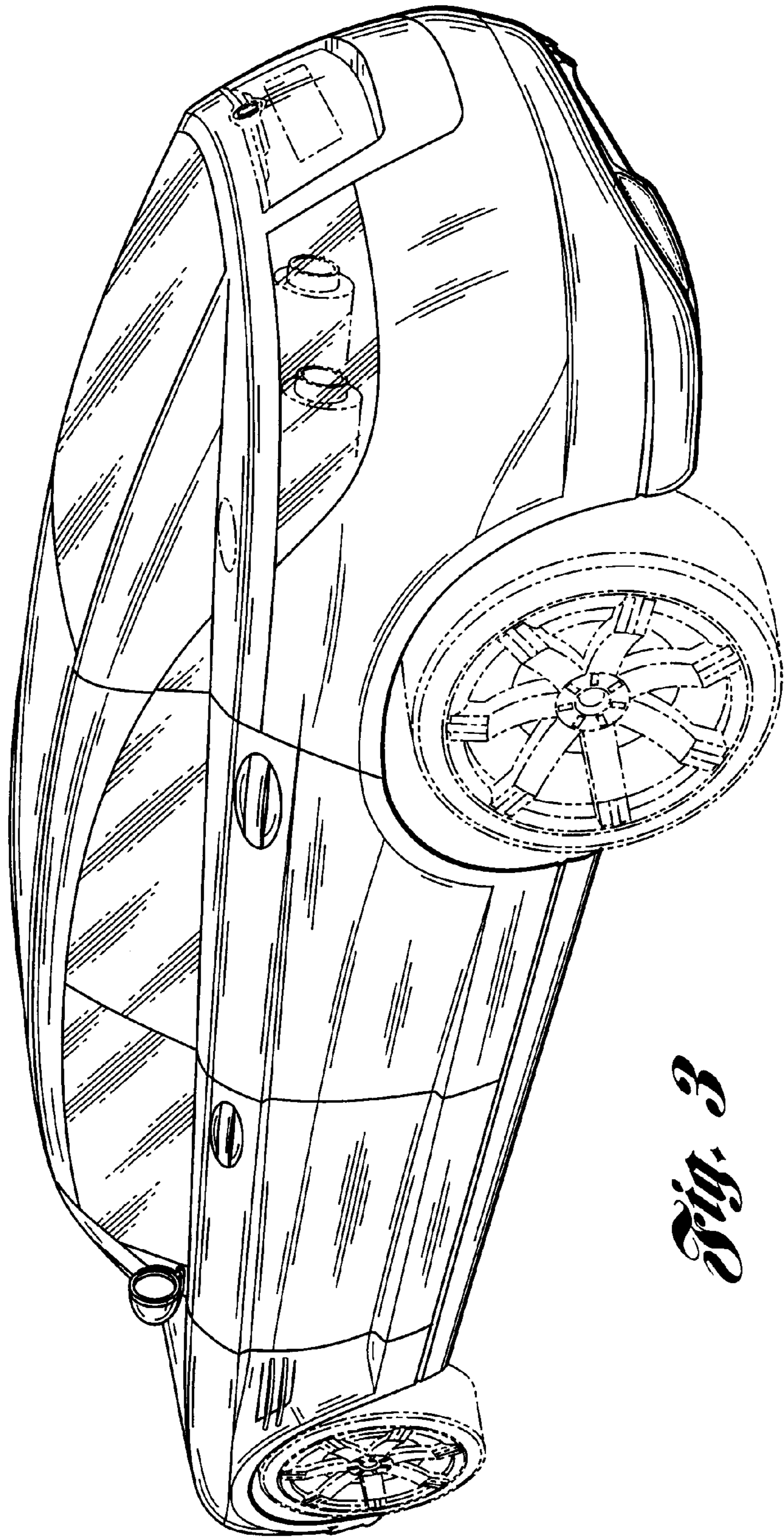


Fig. 3

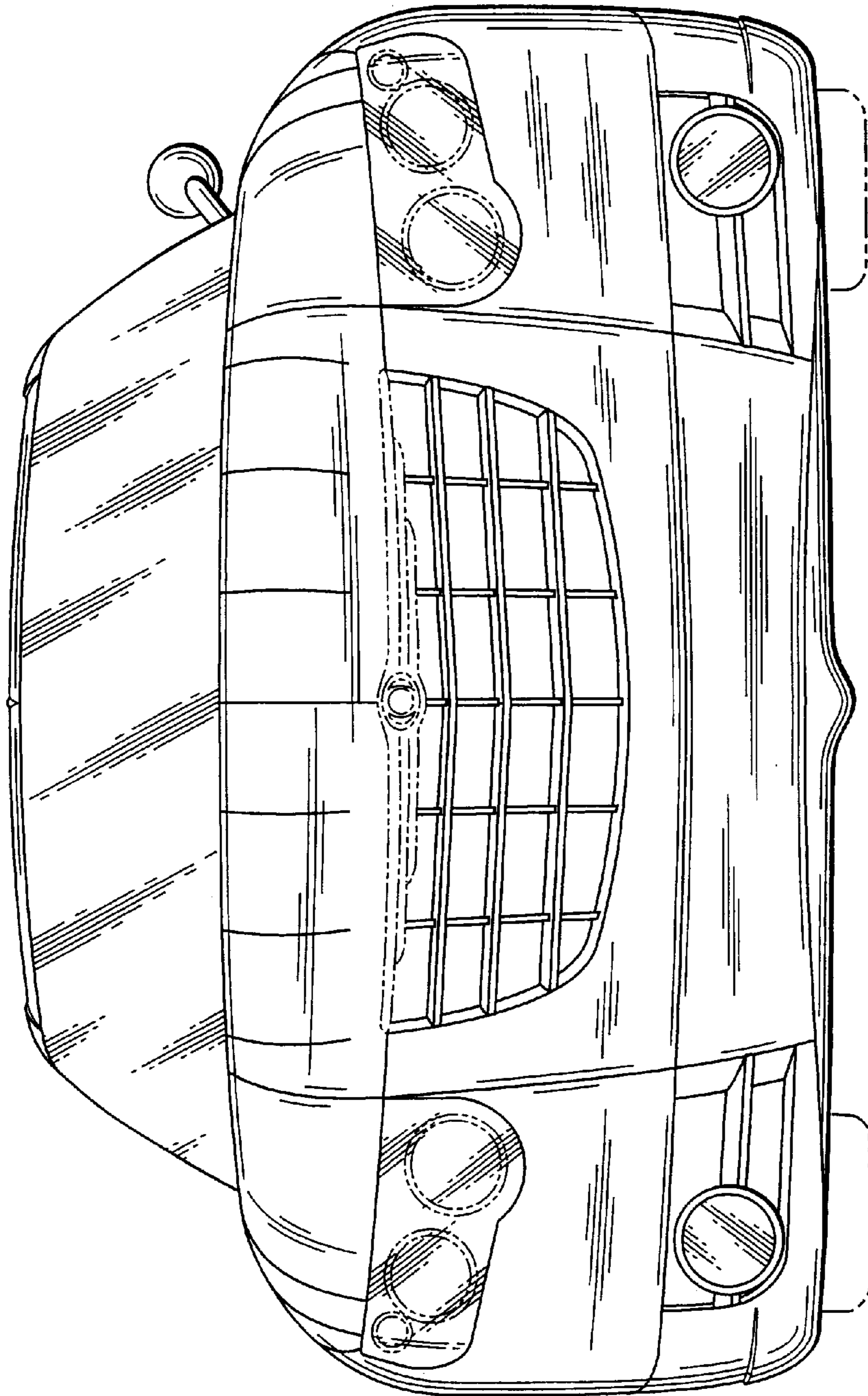


Fig. 4

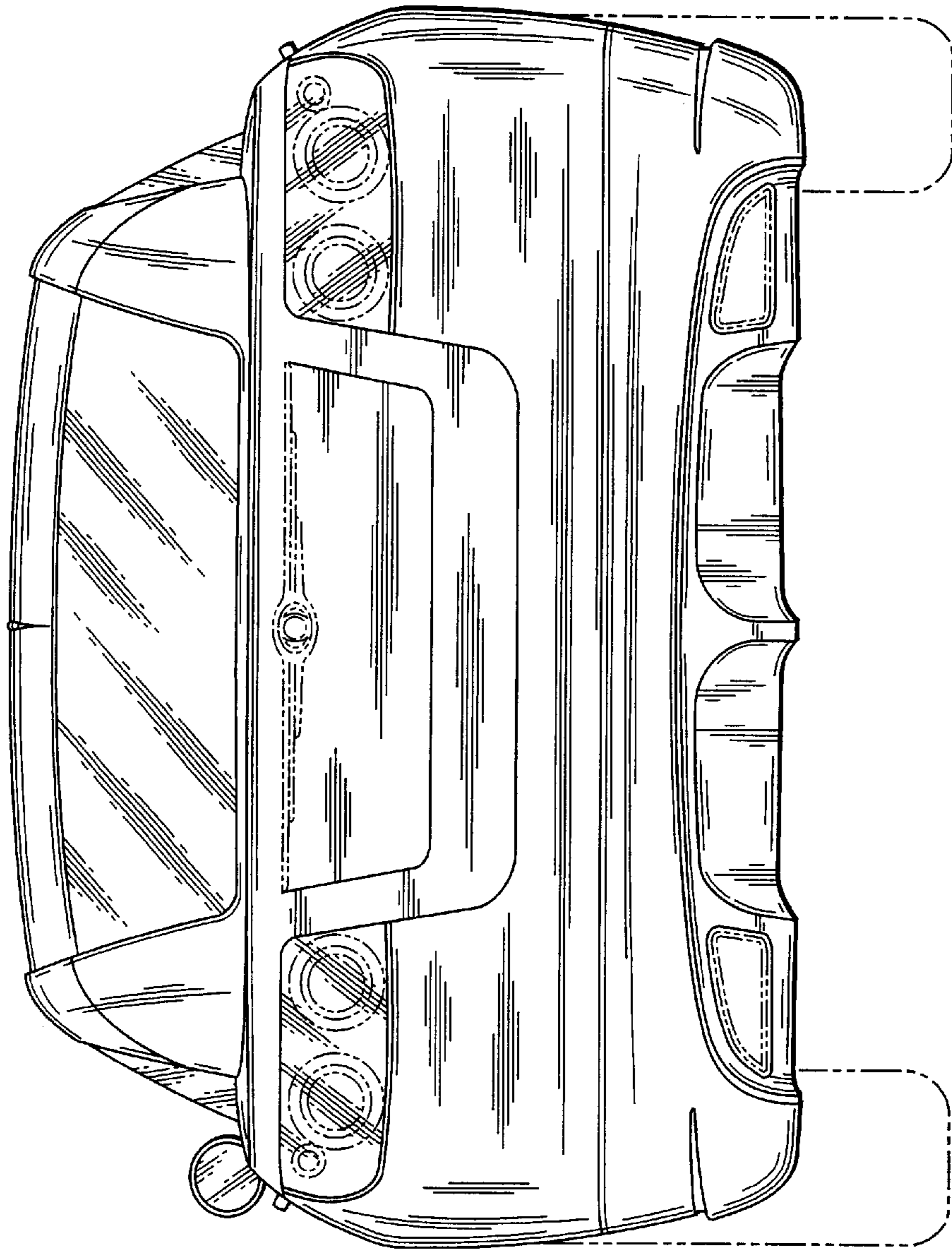


Fig. 5