



US00D483695S

(12) **United States Design Patent**  
**Bellington**

(10) **Patent No.:** **US D483,695 S**

(45) **Date of Patent:** **\*\* Dec. 16, 2003**

(54) **ELECTRIC VEHICLE**

(75) **Inventor:** **Bruce M. Bellington**, Lone Jack, MO  
(US)

(73) **Assignee:** **Lafayette County Car Company,**  
**LLC**, Odessa, MO (US)

(\*\*) **Term:** **14 Years**

(21) **Appl. No.:** **29/170,827**

(22) **Filed:** **Nov. 13, 2002**

(51) **LOC (7) Cl.** ..... **12-13**

(52) **U.S. Cl.** ..... **D12/16; D21/1**

(58) **Field of Search** ..... **D12/1, 16, 82,**  
**D12/86-93; 296/184-186, 28, 37.7; 180/908,**  
**233; 280/DIG. 5; D21/803; D15/28, 30**

(56) **References Cited**

**U.S. PATENT DOCUMENTS**

D236,098 S	*	7/1975	Bedel	.....	D12/16
D367,440 S	*	2/1996	Mays	.....	D12/90
D373,099 S	*	8/1996	Molzon et al.	.....	D12/16
D378,994 S	*	4/1997	Picard et al.	.....	D12/90

D390,501 S	*	2/1998	Kranz	.....	D12/86
D395,023 S	*	6/1998	Hikida	.....	D12/16
D399,789 S	*	10/1998	Adamovich et al.	.....	D12/86
D419,107 S	*	1/2000	Hofer et al.	.....	D12/86
D421,411 S	*	3/2000	Molzon et al.	.....	D12/82
D442,517 S	*	5/2001	Hoogenraad	.....	D12/16

\* cited by examiner

*Primary Examiner*—Nelson C. Holtje

(74) *Attorney, Agent, or Firm*—Hovey Williams LLP

(57) **CLAIM**

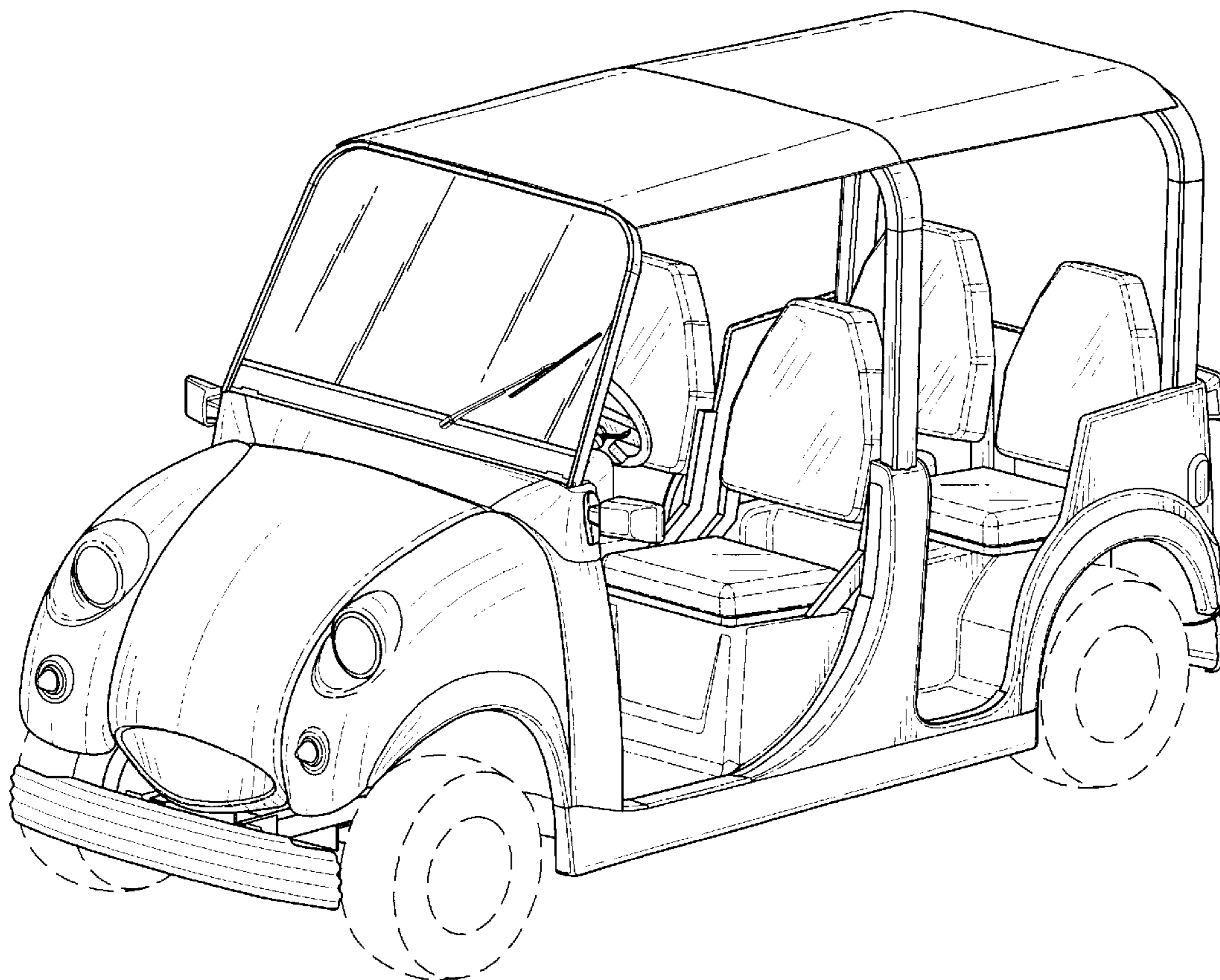
The ornamental design for an electric vehicle, as shown and described.

**DESCRIPTION**

FIG. 1 is a front perspective view;  
FIG. 2 is a rear perspective view;  
FIG. 3 is a side elevational view; and,  
FIG. 4 is an elevational view of the opposite side of that shown in FIG. 3.

The broken lines showing of wheels is for illustrative purposes only and forms no part of the claimed design.

**1 Claim, 2 Drawing Sheets**



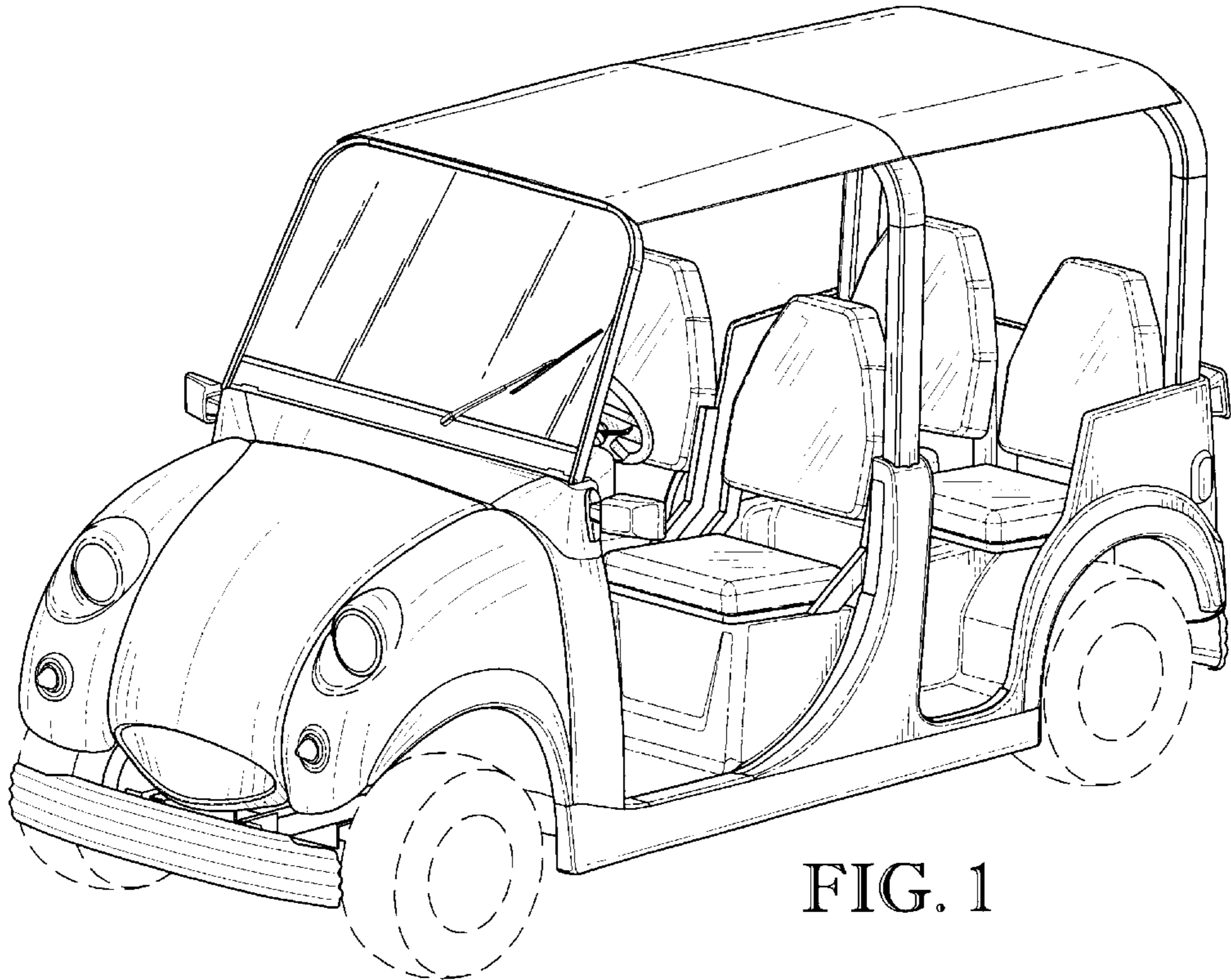


FIG. 1

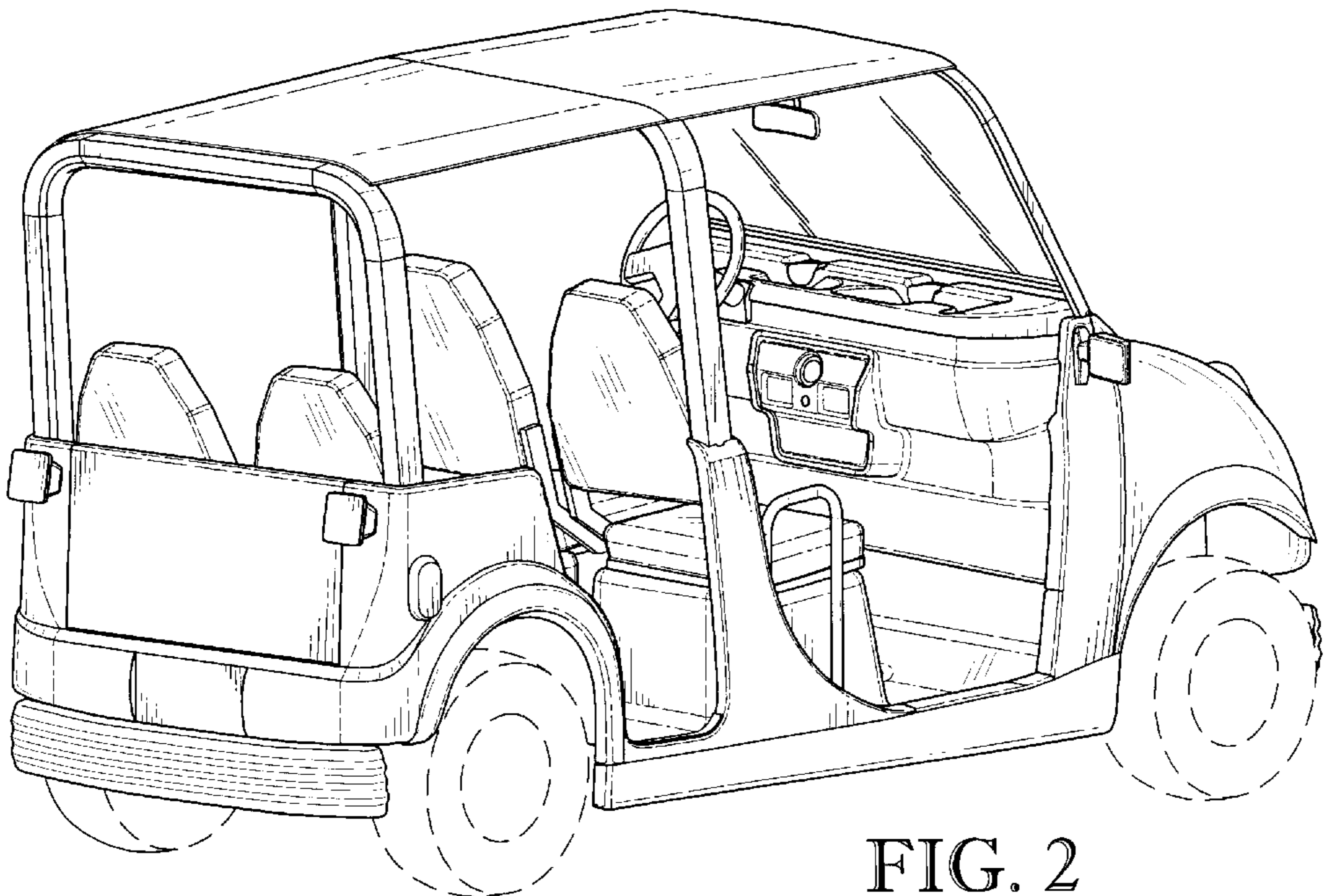


FIG. 2

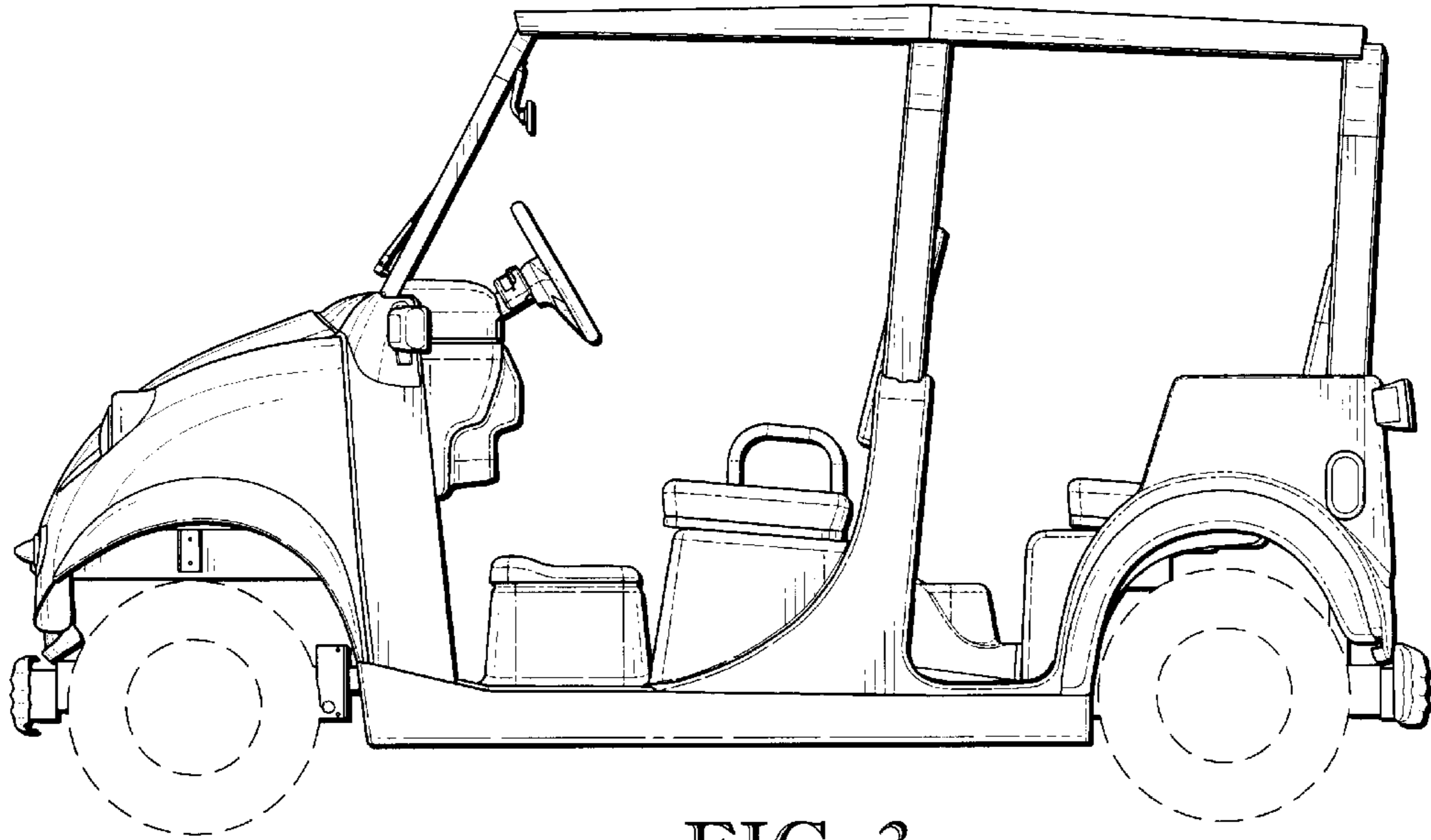


FIG. 3

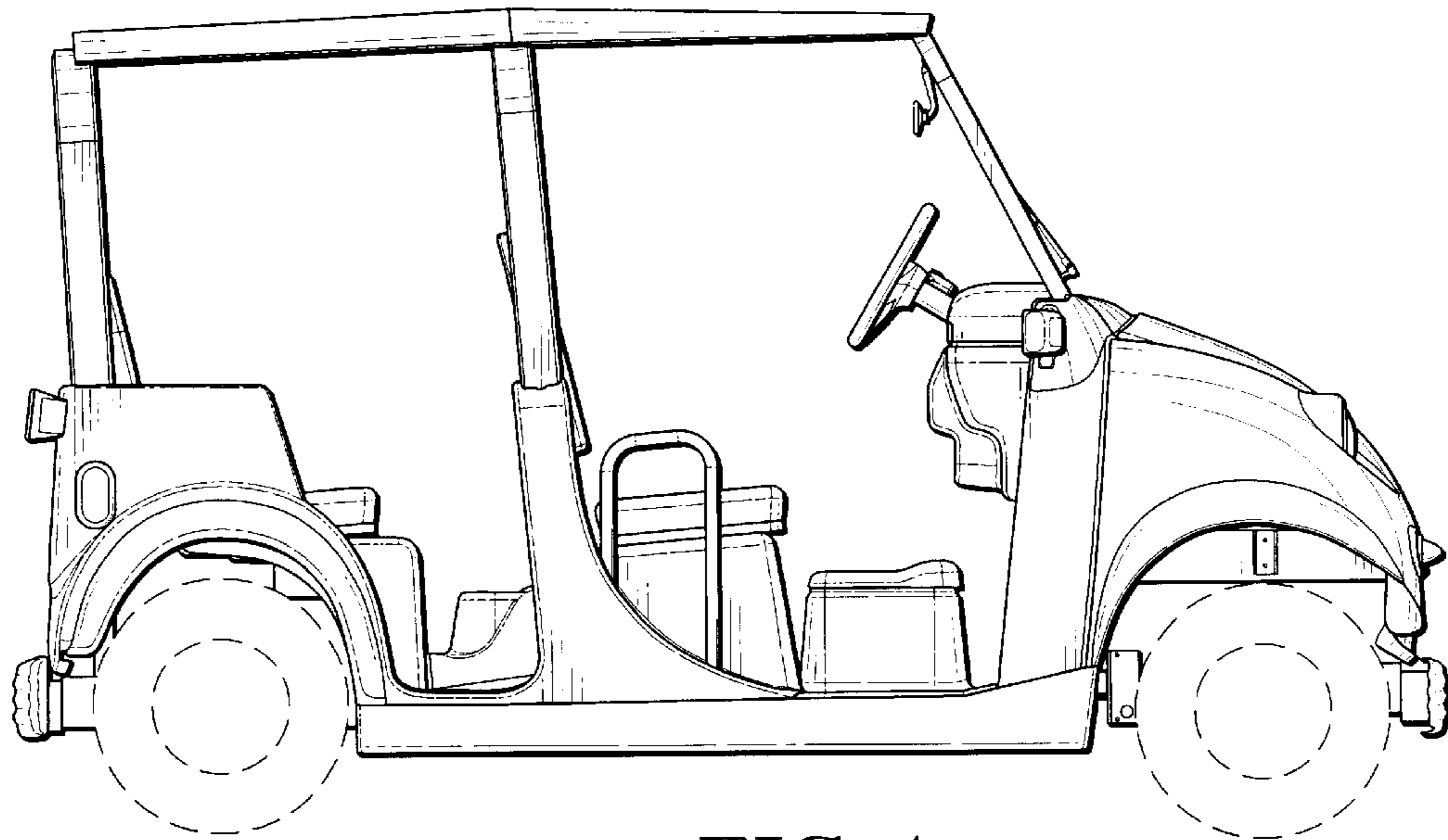


FIG. 4