



US00D483694S

(12) **United States Design Patent**
Bellington

(10) **Patent No.:** **US D483,694 S**

(45) **Date of Patent:** **** Dec. 16, 2003**

(54) **ELECTRIC VEHICLE**

(75) **Inventor:** **Bruce M. Bellington**, Lone Jack, MO (US)

(73) **Assignee:** **Lafayette County Car Company, LLC**, Odessa, MO (US)

(**) **Term:** **14 Years**

(21) **Appl. No.:** **29/170,681**

(22) **Filed:** **Nov. 12, 2002**

(51) **LOC (7) Cl.** **12-13**

(52) **U.S. Cl.** **D12/16; D12/1**

(58) **Field of Search** D12/1, 16, 82, D12/86-93; D15/28, 30; D21/803; 180/233, 908; 280/DIG. 5; 296/183-186, 28, 37.7

(56) **References Cited**

U.S. PATENT DOCUMENTS

D236,098 S * 7/1975 Bedel D12/16
D367,440 S * 2/1996 Mays D12/90

D373,099 S * 8/1996 Molzon et al. D12/16
D378,994 S * 4/1997 Picard et al. D12/90
D395,023 S * 6/1998 Hikida D12/16
D399,789 S * 10/1998 Adamovich et al. D12/86
D442,517 S * 5/2001 Hoogenraad D12/16

* cited by examiner

Primary Examiner—Nelson C. Holtje

(74) *Attorney, Agent, or Firm*—Hovey Williams LLP

(57) **CLAIM**

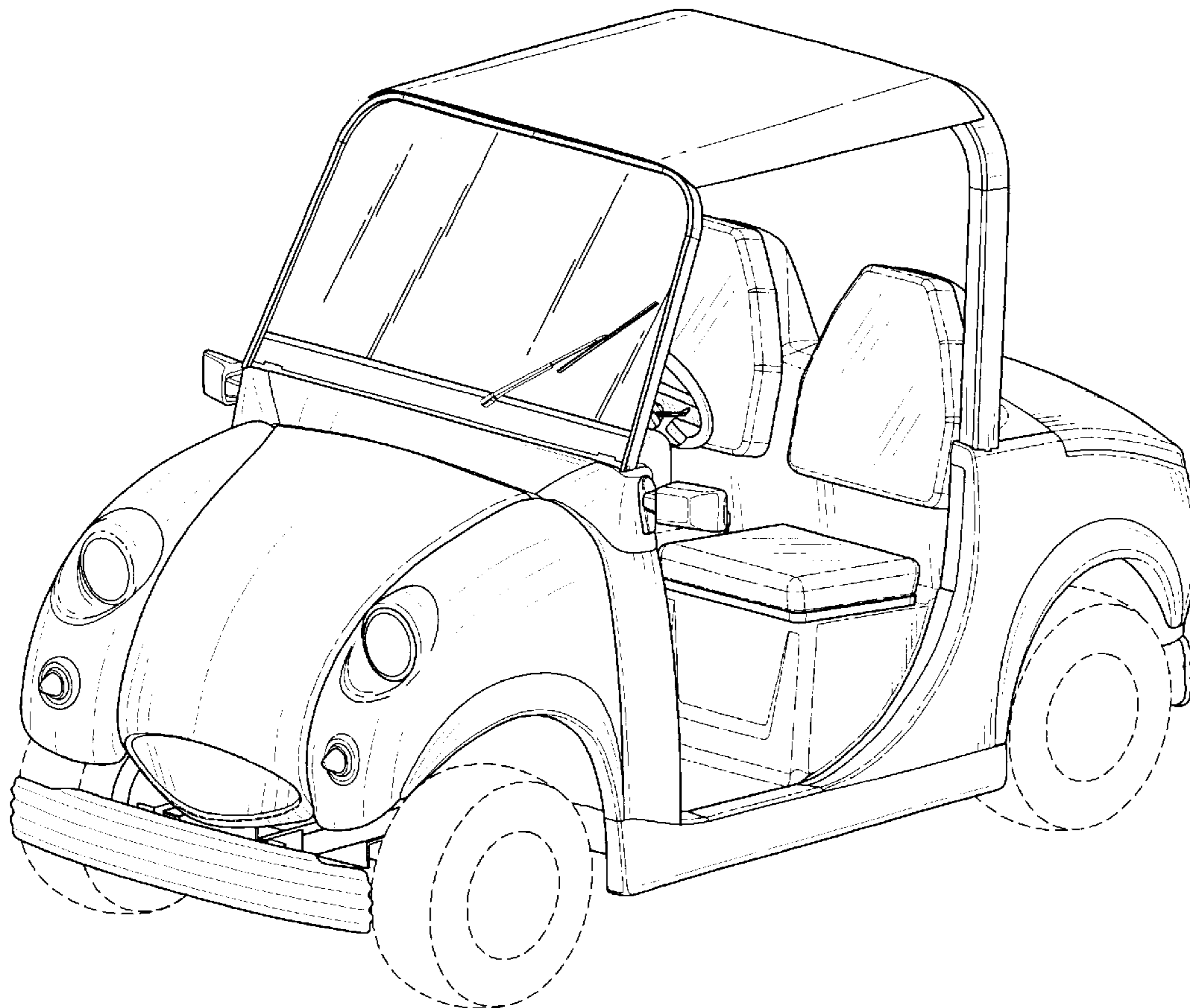
The ornamental design for an electric vehicle, as shown and described.

DESCRIPTION

FIG. 1 is a front perspective view;
FIG. 2 is a rear perspective view;
FIG. 3 is a side elevational view; and,
FIG. 4 is an elevational view of the opposite side of that shown in FIG. 3.

The broken line showing of wheels is for illustrative purposes only and forms no part of the claimed design.

1 Claim, 2 Drawing Sheets



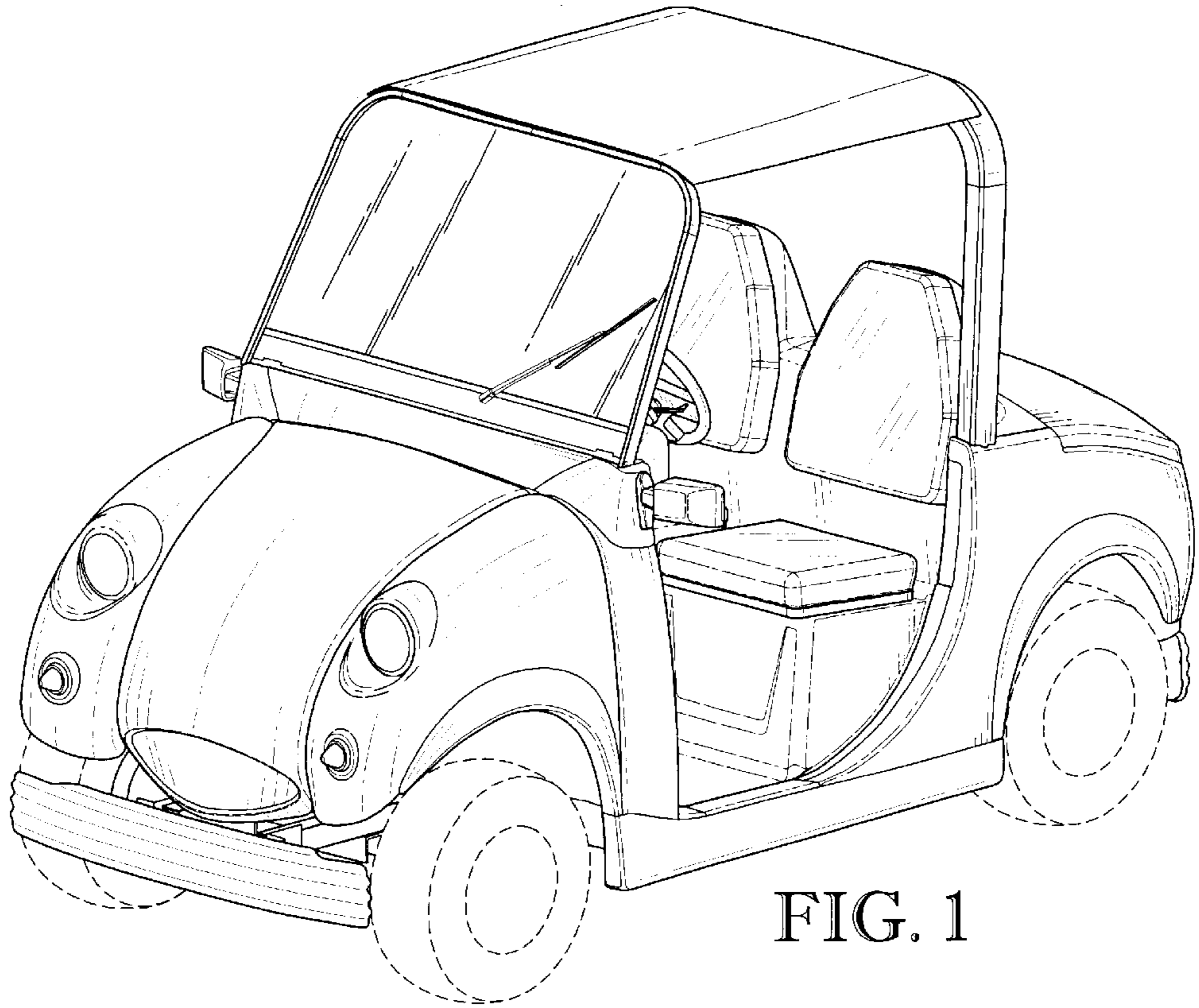


FIG. 1

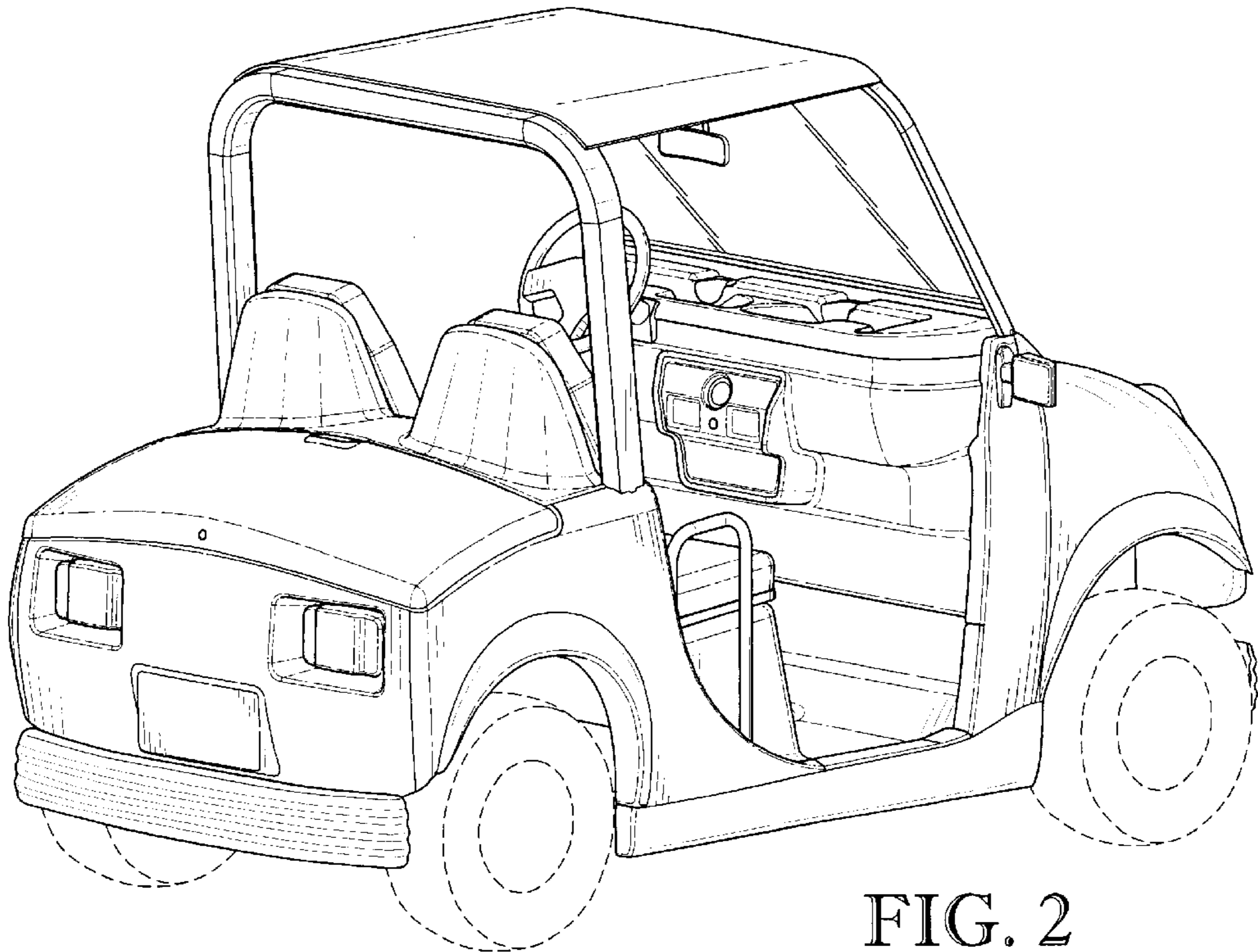


FIG. 2

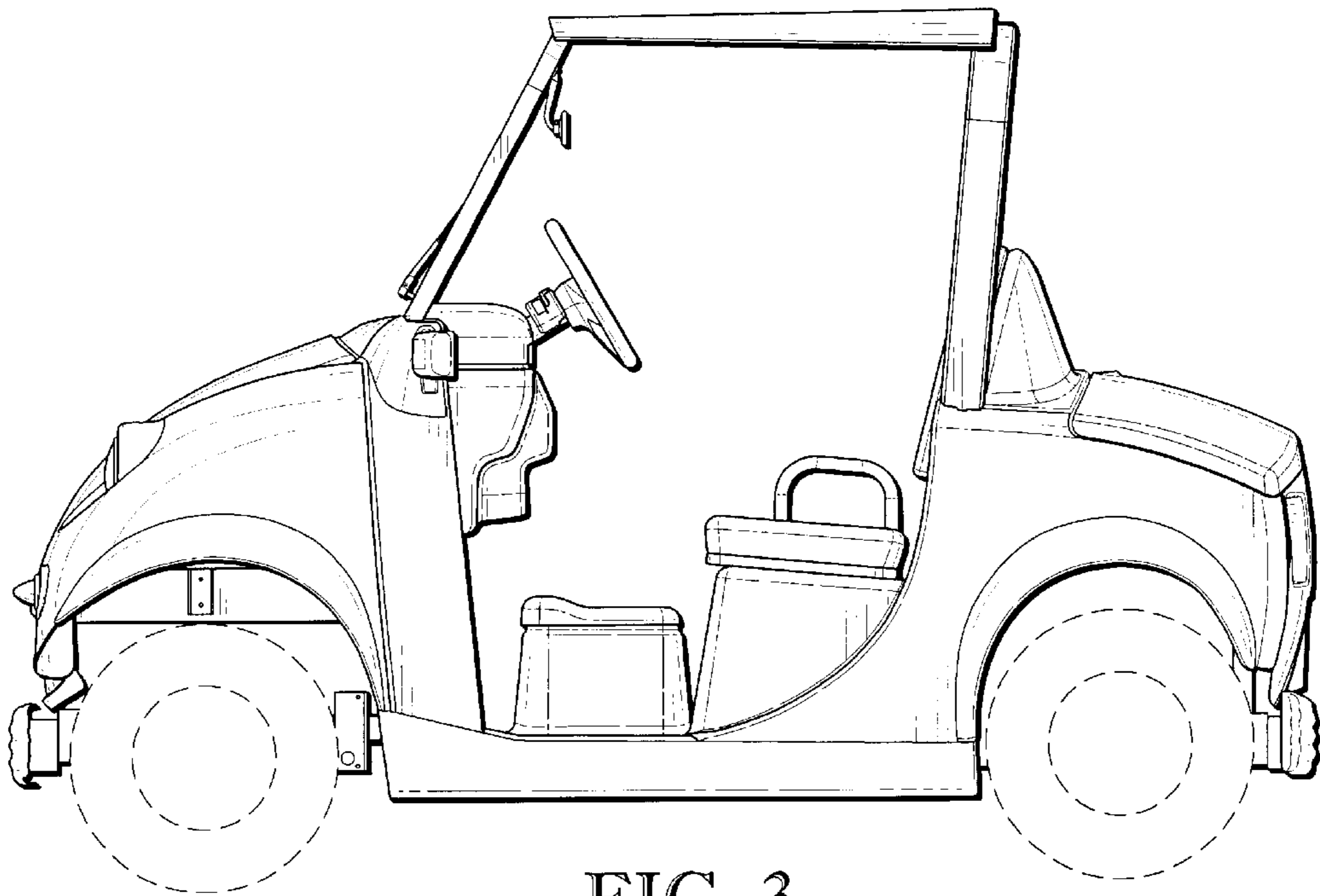


FIG. 3

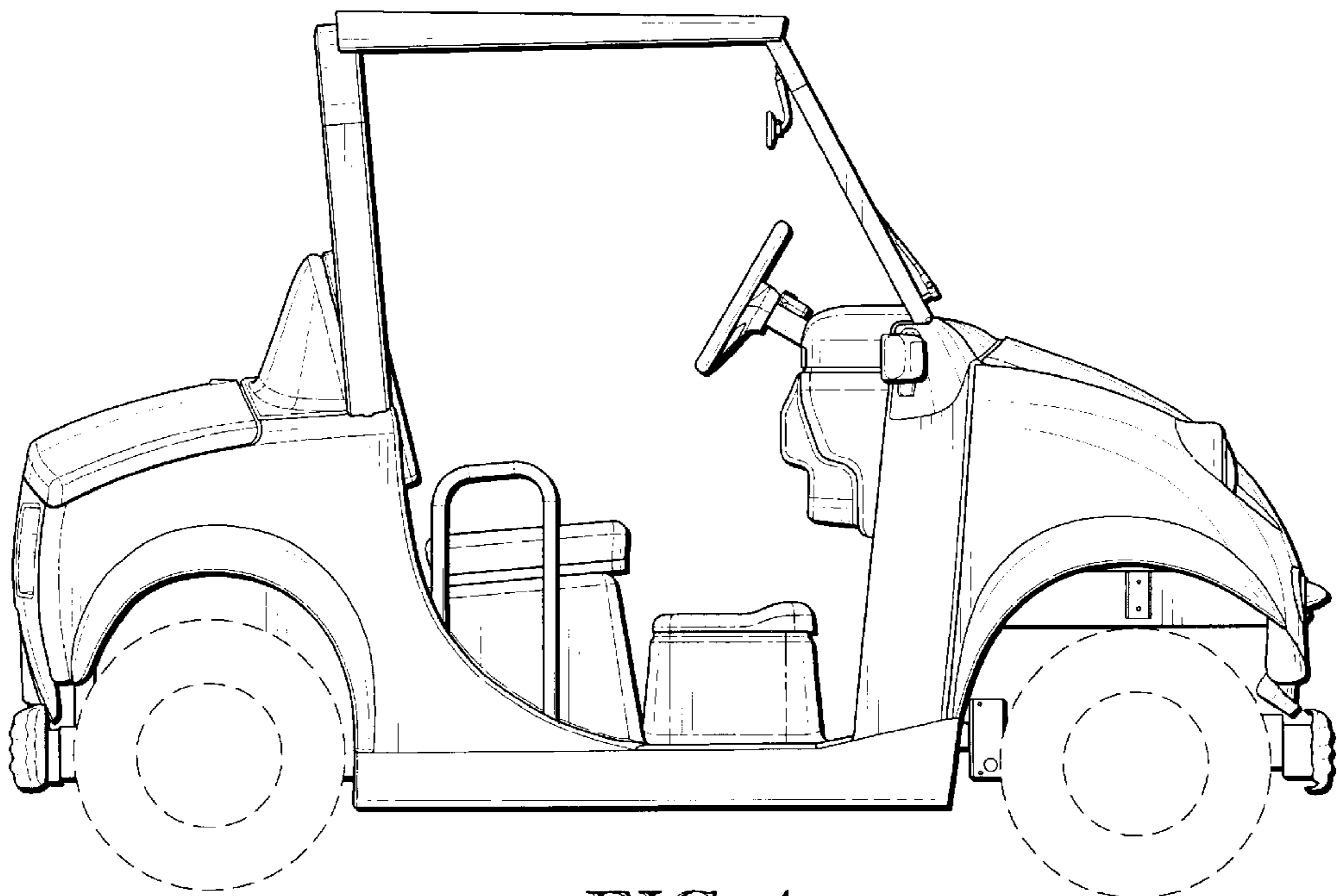


FIG. 4